



ResidiaJet-C

Single jet water meter with composite housing and modular register and communication module option

APPLICATION

Protection against external magnetic fields in accordance with EN 14 154

Housing made of high grade composite material.

Modular register; prepared to take an electronic communication module (e.g. M-Bus)

Option: Factory fitted with an electronic communication module

Residia-M: M-Bus module for systems in accordance with EN 13757-3 (IEC 870/EN 1434-3)

Residia-P: Pulse module for digital pulses (e.g. for remote counting).

Main Characteristics

- DN 15
- Single jet dry dial meter with magnetic coupling
- Magnetic transmission
- Suitable up to 50 °C as a cold water meter
- Suitable up to 90 °C as a warm water meter
- Insensitive to upstream disruptive elements
- 355° swiveling register
- High resistance to water impurities
- AMR pre-equipped for pulse or radio interface
- Available with non return valve

Approvals

EU type-examination certificate in conformity with

- 2014/32/EU (MID)
- OIML R49:2013
- EN 14154-4:2014
- ISO 4064:2017

Q₃ 2.5 DE-12-MI001-PTB013

Legibility

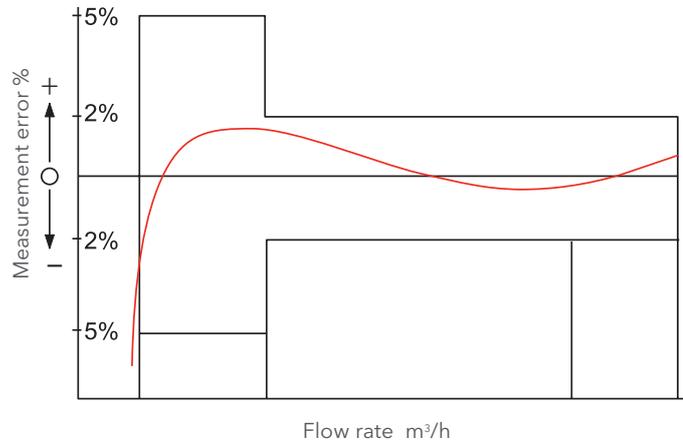
The display on 8 drums (5 for m³, 3 for litres) and 1 pointer ensures perfect readability. The lowest resolution is 0.05 litres. The dial has a central disc whose rotation indicates the water flow. This indicator can be used to reveal a downstream leak.

The ResidiaJet-C water meter operates in horizontal position and its dry dial can rotate up to 355°. The dial can therefore be easily read under all conditions of use.

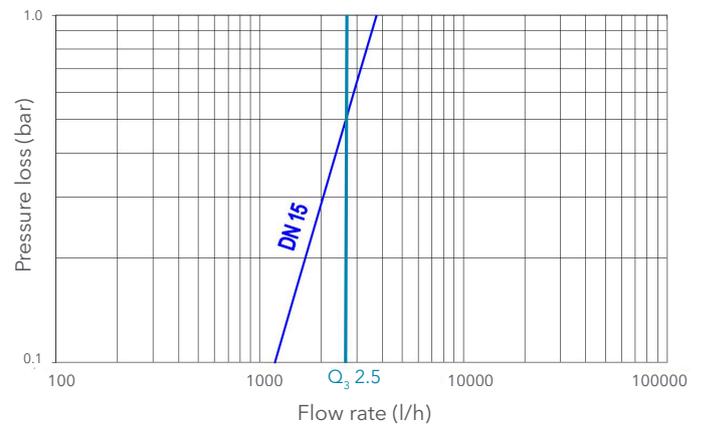
ResidiaJet-C

Single jet water meter with composite housing and modular register and communication module option

Typical Accuracy Curve



Typical Head Loss Curve

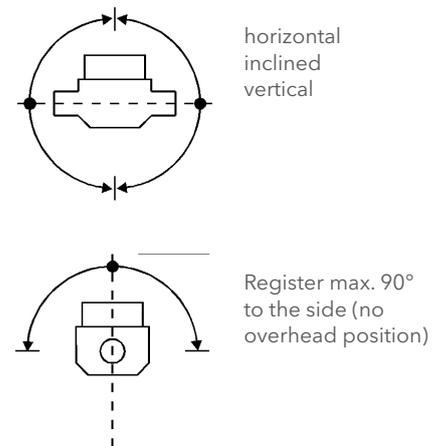


Metrological characteristics in accordance with Measuring Instruments Directive

Nominal Size	2.5 m³/h			
Temperature Range	0.1 °C to 50 °C		30 °C to 90 °C	
Installation Position	Horizontal ¹⁾	Vertical ¹⁾	Horizontal ¹⁾	Vertical ¹⁾
Flowrate Range:	R80 (horizontal) / R40 (vertical)			
Q_3/Q_1	1.6			
Q_1	0.025 m³/h	0.063 m³/h	0.025 m³/h	0.063 m³/h
Q_2	0.040 m³/h	0.1 m³/h	0.040 m³/h	0.1 m³/h
Q_3	2.5 m³/h			
Q_4	3.125 m³/h			
Accuracy Class	± 2% ($Q_2 \leq Q \leq Q_4$) for water temperature ≤ 30 °C ± 3% ($Q_2 \leq Q \leq Q_4$) for water temperatures > 30 °C ± 5% ($Q_1 \leq Q \leq Q_2$)			
Pressure Range	0.3 bar (0.03 MPa) to 16 bar (1.6 MPa)			
Pressure Loss Class ΔP	0.63 bar			
Environmental Class	B			
Mechanical Environmental Conditions	M2			
Climatic Environmental Conditions	5 °C to 70 °C			

¹⁾ no top down installation

Permissible installation position



Installation position optional, except overhead position

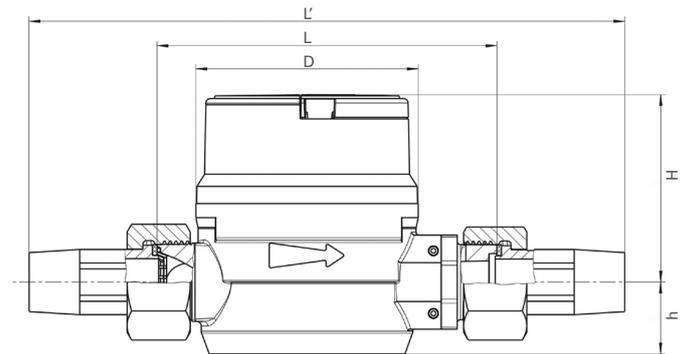
Meter head can be aligned for best readout position

ResidiaJet-C

Single jet water meter with composite housing and modular register and communication module option

Sizes and weight

Nominal Size	DN	mm	15		
Length	L	mm	110	115	
Width	D	mm	73	73	
Total height	H	mm	94	94	
Height to pipe axis	h	mm	105	105	
Piping dimension		inch	120	120	
Tail	Diameter		23	23	
Piece		mm	½"	½"	
Thread	Pitch		G¾"B	G¾"B	G7/8"x ¾"
Weight		g	26.44	26.44	



ResidiaJet-C

Single jet water meter with composite housing and modular register and communication module option



UK & Ireland Inquiries | **Sensus UK Systems Ltd.** | 3 Lindenwood Crockford Lane, Chineham Business Park | Basingstoke RG24 8QY UK | +44 1256 372800 | info.gb@xylem.com
International Inquiries | **Sensus GmbH Hannover** | Meineckestr. 10 | 30880 Laatzen | Germany | +49 5102 743177 | info.int@xylem.com

©2020 Sensus. All products purchased and services performed are subject to Sensus' terms of sale, available at [sensus.com](https://www.sensus.com). Sensus reserves the right to modify these terms and conditions in its own discretion. The Sensus logo and other Sensus products or services referenced are registered trademarks of Sensus.

This document is for informational purposes only, and SENSUS MAKES NO EXPRESS WARRANTIES IN THIS DOCUMENT. FURTHERMORE, THERE ARE NO IMPLIED WARRANTIES, INCLUDING WITHOUT LIMITATION, WARRANTIES AS TO FITNESS FOR A PARTICULAR PURPOSE AND MERCHANTABILITY. ANY USE OF THE PRODUCTS THAT IS NOT SPECIFICALLY PERMITTED HEREIN IS PROHIBITED.