

# DomoJet

## Single Jet Meter



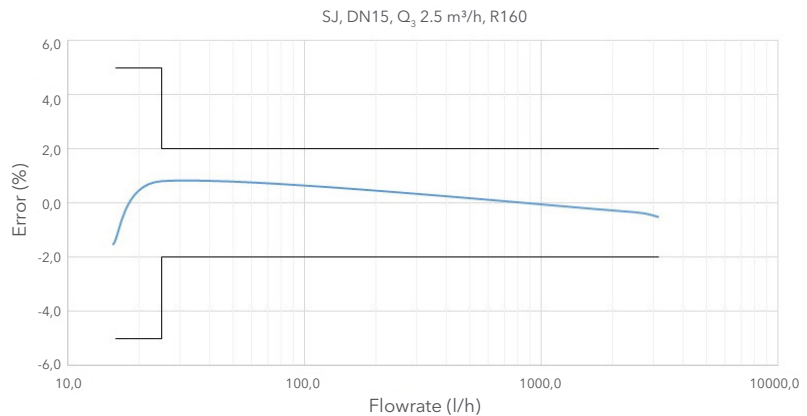
### Description

DomoJet represents the new generation of single jet meter for residential use. The innovative automated production line combines high production capacity with the highest quality. DomoJet achieves the highest metrological performance in its category. It can be equipped with the latest remote data transmission technologies.

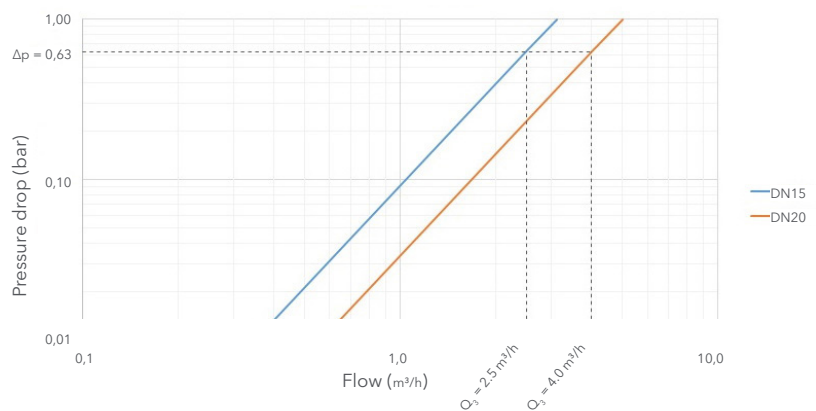
### Typical Error Curve

#### FEATURES

- Superdry single jet meter for hot or cold water
- Ideal for domestic indoor divisional applications (submetering)
- MID-certified: R max 160
- Q<sub>3</sub> 2.5 - 4, DN 15 - 20, MAP (PN) 16
- Pre-equipped for static pulse transmitters on request
- Health certifications available for a number of countries
- Supports various installation positions
- High protection against external magnetic fields
- Register can be rotated 360°
- Can be provided fitted with wired or radio communication module



### Typical Headloss Curve



# DomoJet

## Single Jet Meter

### HYDRAULIC PERFORMANCE

Size	DN	15	20
	inch	½	¾
Module B Nr.		TCM 142/20 - 5700	
Module D Nr.		0119-SJ-A010-08	
$Q_3/Q_1 = R$ Referred to installation position		H R80 V R63	

### MID STANDARD PERFORMANCE\*

Size	DN	15	20
$Q_3$	m <sup>3</sup> /h	2.5	4
$Q_4$	m <sup>3</sup> /h	3.125	5
R		80	
$Q_1$	l/h	31.25	50
$Q_2$	l/h	50	80

\* Other values of R up to R160 available upon request.

### TECHNICAL DATA

Size	DN	15	20
Maximum permissible error between $Q_1$ and $Q_2$ (excluded)		±5%	
Maximum permissible error between $Q_2$ (included) and $Q_4$		±2% with water temperature ≤ 30°C ±3% with water temperature > 30°C	
Temperature class		T30, T50, T30/90	
Flow profile sensitivity classes		U0 - D0	
Starting flow rate	l/h	6	8
Head loss		ΔP63	
Head loss at $Q_3$	ΔP	0,63	
Protection class		IP68*	
Kvs value	m <sup>3</sup> /h	3.125	5
Nominal pressure	bar	16	
Maximum reading	m <sup>3</sup>	100,000	
Minimum reading	m <sup>3</sup>	0.05	
Indicative weight	kg	0.35	0.45

\* test condition: Immersion tank, water-level on enclosure: 1 m, duration: 1 h

# DomoJet

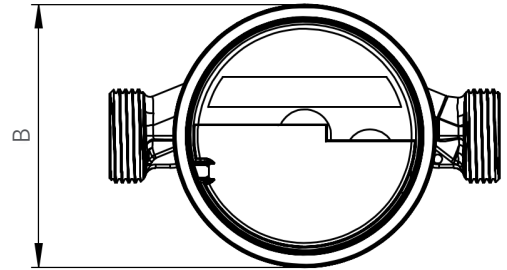
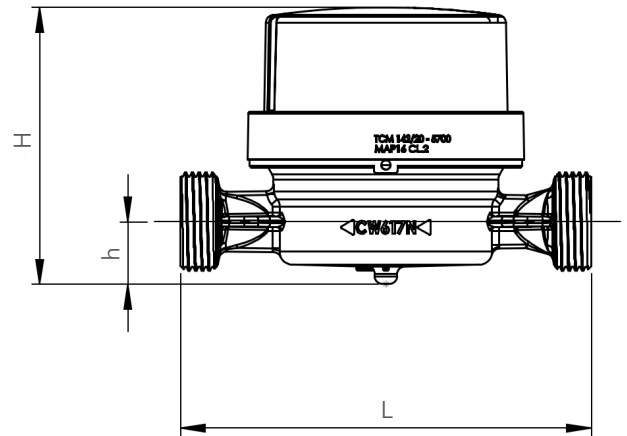
## Single Jet Meter

### DIMENSIONS

Size	DN	15	20
Thread	inch	G ¾ B	G 1 B
For pipe connection	inch	½	¾
L	mm	80*/110/130**	130**
H	mm	74	
h	mm	11.7	16.7
B	mm	65	

\* only Q<sub>3</sub> 2.5 R ≤H100 VR63

\*\* other lengths on request



### Communication Modules

Domo M



M-Bus

Domo R



M-Bus wireless OMS®

Domo P



Domo L



xylem

Xylem.com | Sensus.com

UK & Ireland Inquiries | Sensus UK Systems Ltd. | 3 Lindenwood Crockford Lane, Chineham Business Park | Basingstoke RG24 8QY UK | +44 1256 372800 | [info.gb@xylem.com](mailto:info.gb@xylem.com)

International Inquiries | Sensus GmbH Hannover | Meineckestr. 10 | 30880 Laatzen | Germany | +49 5102 743177 [info.int@xylem.com](mailto:info.int@xylem.com)

©2020 Sensus. All products purchased and services performed are subject to Sensus' terms of sale, available at [sensus.com](https://www.sensus.com). Sensus reserves the right to modify these terms and conditions in its own discretion. The Sensus logo and other Sensus products or services referenced are registered trademarks of Sensus.

This document is for informational purposes only, and SENSUS MAKES NO EXPRESS WARRANTIES IN THIS DOCUMENT. FURTHERMORE, THERE ARE NO IMPLIED WARRANTIES, INCLUDING WITHOUT LIMITATION, WARRANTIES AS TO FITNESS FOR A PARTICULAR PURPOSE AND MERCHANTABILITY. ANY USE OF THE PRODUCTS THAT IS NOT SPECIFICALLY PERMITTED HEREIN IS PROHIBITED.