

DomoJet® R

Electronic Single Jet Meter



Description

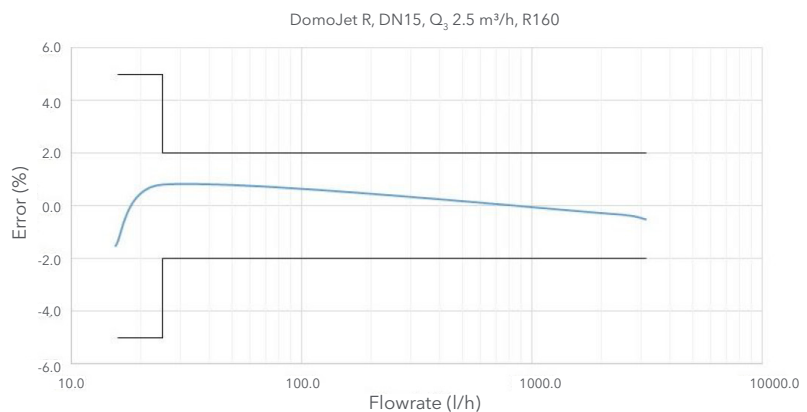
DomoJet® R is single jet meter offering built-in data communication thanks to its innovative electronic radio register. Designed specifically for residential installations, it is available for both cold and hot water applications. Its large LC display makes it very easy to read, while providing additional information to both users and operators. Suitable for remote data reading using mobile and fixed systems, it fully meets the requirements of the European Directive on energy efficiency.

FEATURES

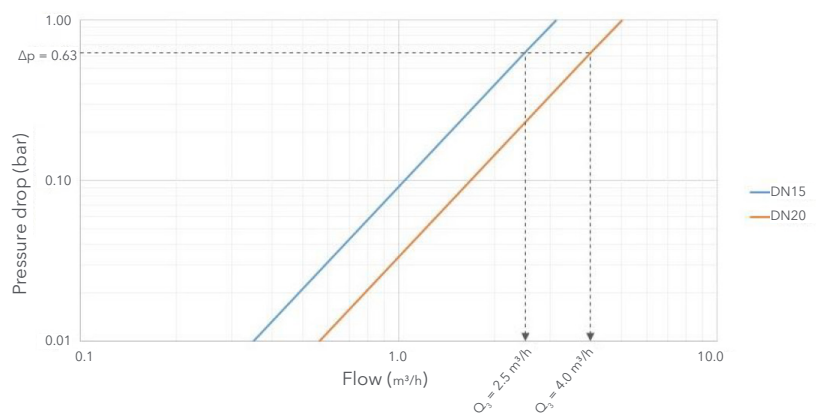
- Electronic single jet meter
- Ideal for residential indoor applications
- Available for hot and cold water
- DN15 - 20
- MID certified: R 160
- High protection against external magnetic fields
- Health certifications available for a number of countries
- Register can be rotated 360°
- IP68 protection
- Integrated wM-Bus, OMS radio
- Lithium battery with a minimum life of 13 years
- Fault detection: fraud, loss, overconsumption, reverse flow, blocked meter and reversed meter
- Programming and maintenance kit available upon request

For further information on the functionality of electronic register and radio transmission, please refer to the instruction manual.

Typical Error Curve



Typical Headloss Curve



DomoJet® R

Electronic Single Jet Meter

METROLOGICAL PERFORMANCE

Size	DN	15	20	
Q ₃		2.5	2.5	4
	inch	½	¾	
Module B No.		TCM 142/20 - 5700		
Module D No.		0119-SJ-A010-08		
Q ₃ /Q ₁ = R Referred to installation position		H † R80*, H † R160* Other R63	H † R100* Other R80	H † R80*, H † R160* Other R63

* †= Display is facing upwards

MID STANDARD PERFORMANCE*

Size	DN	15	20	
Q ₃	m ³ /h	2.5	2.5	4
Q ₄	m ³ /h	3.13	3.13	5
R		80		
Q ₁	l/h	25	40	40
Q ₂	l/h	40	64	64

* Other values are available upon request

TECHNICAL DATA

Size	DN	15	20
Maximum permissible error between Q ₁ and Q ₂ (excluded)		±5%	
Maximum permissible error between Q ₂ (included) and Q ₄		±2% with water temperature ≤ 30°C ±3% with water temperature > 30°C	
Temperature class		T50, T30/90	
Flow profile sensitivity classes		U0 - D0	
Starting flow rate	l/h	4.5	8
Head loss		ΔP63	
Nominal pressure	bar	16	
Maximum reading	m ³	99 999.999	
Minimum reading	l	0.001	
Indicative weight	kg	0.39	0.45

DomoJet® R

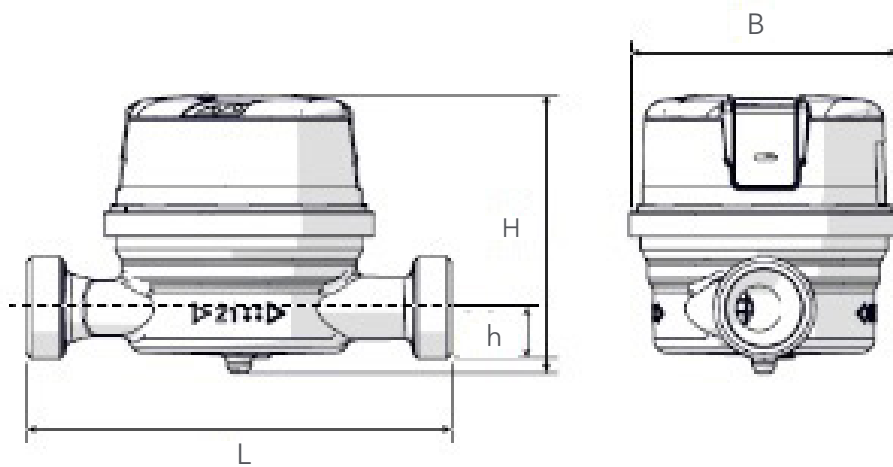
Electronic Single Jet Meter

DIMENSIONS

Size	DN	15		20
	inch	½		¾
Thread	inch	G ¾ B		G 1 B
L	mm	80*/110/115	80**/110/115	115/130
H	mm	72		
h	mm	11.7		16.7
B	mm	65		

* only Q₃ 2.5 R ≤ H100 VR63

** Starting flow rate 7l/h



xylem

Xylem.com | Sensus.com

UK & Ireland Inquiries | Sensus UK Systems Ltd. | 3 Lindenwood Crockford Lane, Chineham Business Park | Basingstoke RG24 8QY UK | +44 1256 372800 | info.gb@xylem.com

International Inquiries | Sensus GmbH Hannover | Meineckestr. 10 | 30880 Laatzen | Germany | +49 5102 743177
info.int@xylem.com

©2020 Sensus. All products purchased and services performed are subject to Sensus' terms of sale, available at [sensus.com](https://www.sensus.com). Sensus reserves the right to modify these terms and conditions in its own discretion. The Sensus logo and other Sensus products or services referenced are registered trademarks of Sensus.

This document is for informational purposes only, and SENSUS MAKES NO EXPRESS WARRANTIES IN THIS DOCUMENT. FURTHERMORE, THERE ARE NO IMPLIED WARRANTIES, INCLUDING WITHOUT LIMITATION, WARRANTIES AS TO FITNESS FOR A PARTICULAR PURPOSE AND MERCHANTABILITY. ANY USE OF THE PRODUCTS THAT IS NOT SPECIFICALLY PERMITTED HEREIN IS PROHIBITED.