

**Mounting Instruction**

85 02 80

**Note!**  
**This Page shall be removed before delivery**

Edition	Revision	CR no and /or dep/initials
6		CR9492

# Connector unit

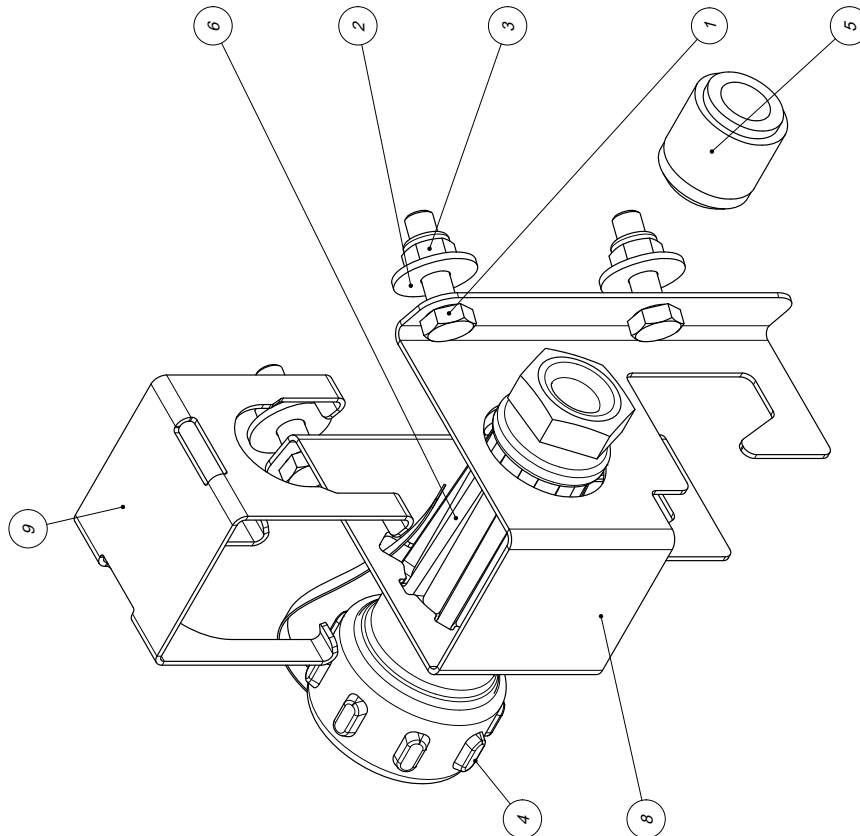
Flygt Compit 900 PPA

Part No. 811 00 00

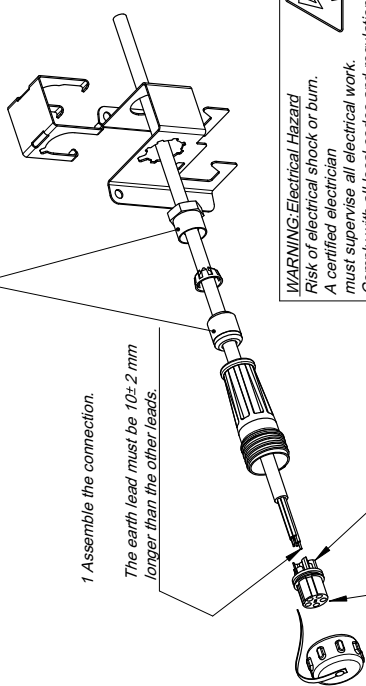
GENUINE  
FLYGT PARTS

Pos	Qty	File name	Denomination	Part	Note
1	4	814857	Hexagon head screw M8 x 30	814857	-
2	4	817950	Washer 8.4 x 24.0 x 2.0	817950	-
3	4	822727	Hexagon nut	822727	-
4	1	830097	Sealing cap socket	830097	-
5	1	830106	Gland	830106	For alt. cable dia.
6	1	850255	Connector	850255	-
7	1	850280	Mounting instruction	850280	Printed paper
8	1	8101100	Bracket	8101100	-
9	1	8101200	Bracket	8101200	-

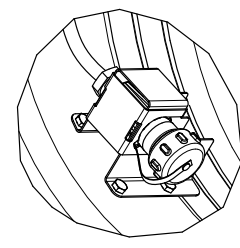
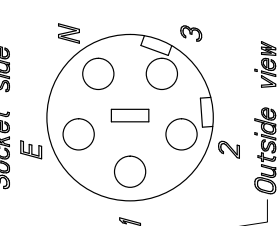
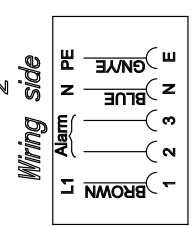
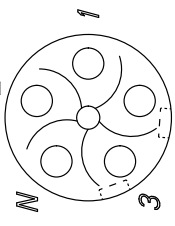
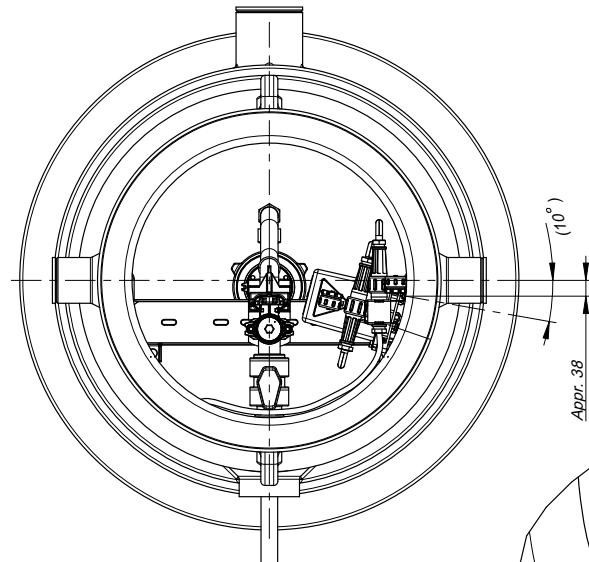
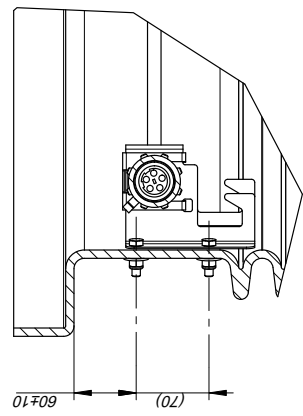
WS010032C



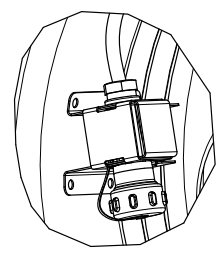
**Note!** It is important to use the correct cable gland to fulfill the IP68 protection.  
 The original yellow bushing is adapted for cable Ø 13-15 mm.  
 A set of extra bushings is included in the package, suitable for cable Ø 7-13 mm.  
 The gland nut must always be tightened securely.



**WARNING: Electrical Hazard**  
 Risk of electrical shock or burn.  
 A certified electrician must supervise all electrical work.  
 Comply with all local codes and regulations.



2 Mark out the position of the holes in the station or extension shaft.  
 Drill holes Ø 8 (4x).



4 Put the connection housing unit in place and connect the cables.

3 Fasten the screws.

**Xylem Water Solutions Global Services AB**  
 361 80 Emmaboda, Sweden  
 Tel. +46-471-24 70 00, Fax +46-471-24 74 01  
 www.xylem.com

