

## SCKL

### Warnings

- ⚠ This instruction is an integral part of the booklet of the appliance on which the kit is installed. Please consult this booklet for general warnings and fundamental safety rules.
- ⚠ For a rapid and right assembly of the components follow carefully the sequences described in the various sections.
- ⚠ All the operations must be performed by qualified personnel using the required Personal Protective Equipment.

### Installation kit for built-in box for lateral air ventilation SX

Use this kit to divert air laterally to a perimeter wall when you intend to place the air conditioner on an interior wall.  
The kit consist of:

- a formwork for the side air outlet
- cables electrical connections
- ⚠ This kit is compatible with the only DC Inverter versions.

### Installation arrangement

#### Preliminary warnings

- ⚠ Make sure that:
  - the wall on which you intend to install the unit has an appropriate structure and capacity
  - the wall surface is not crossed by pipelines or power lines
  - the wall surface is perfectly levelled
  - there are no obstructions nearby that could compromise the inlet and outlet airflow
  - air flow is not directed towards by-standers

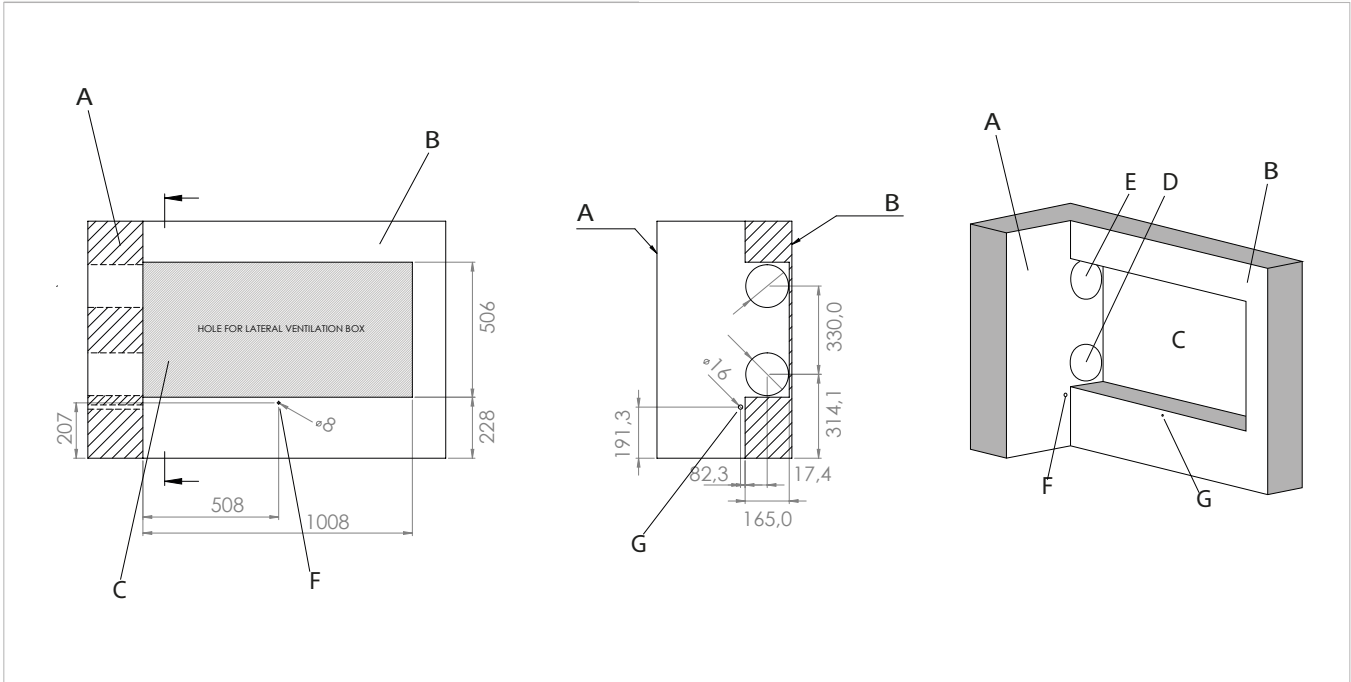
#### Preparation of the wall

To install the unit, prepare the wall for housing the metal casing.

Width	1006 mm
Height	505 mm
Depth	165 mm

- A** External perimeter wall
- B** Wall housing formwork
- C** Formwork space
- D** Air outlet hole, 162 Ø

- E** Air intel hole, 162 Ø
- F** Hole for wall locking, 8 Ø
- G** Condensate drain hole, 16 Ø



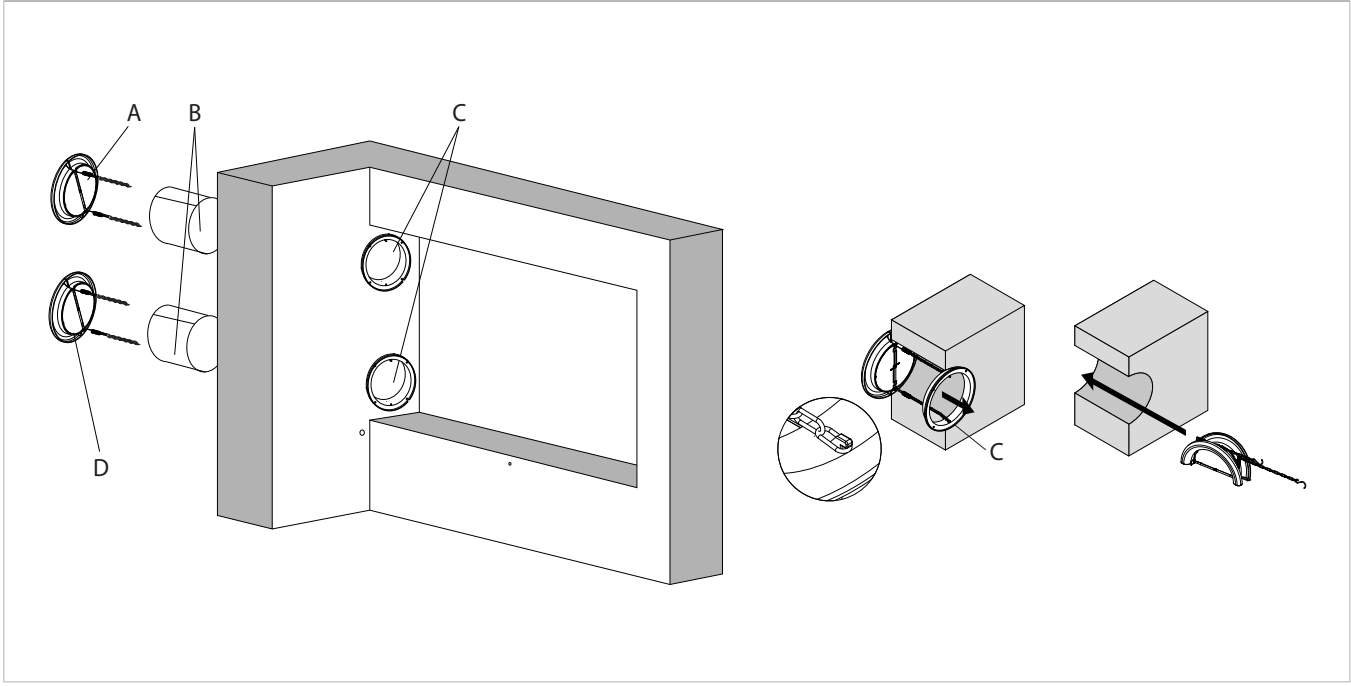
**Kit assembly**

**External grids installation**

Before proceeding with the installation of the kit, install the external grilles supplied with the appliance.

⚠ For the installation of the external grilles, refer to the installation manual of the appliance on which the kit is installed.

- A** External air outlet grill
- B** Wall inlet pipes (2pz)
- C** External grill component
- D** External air intake grill



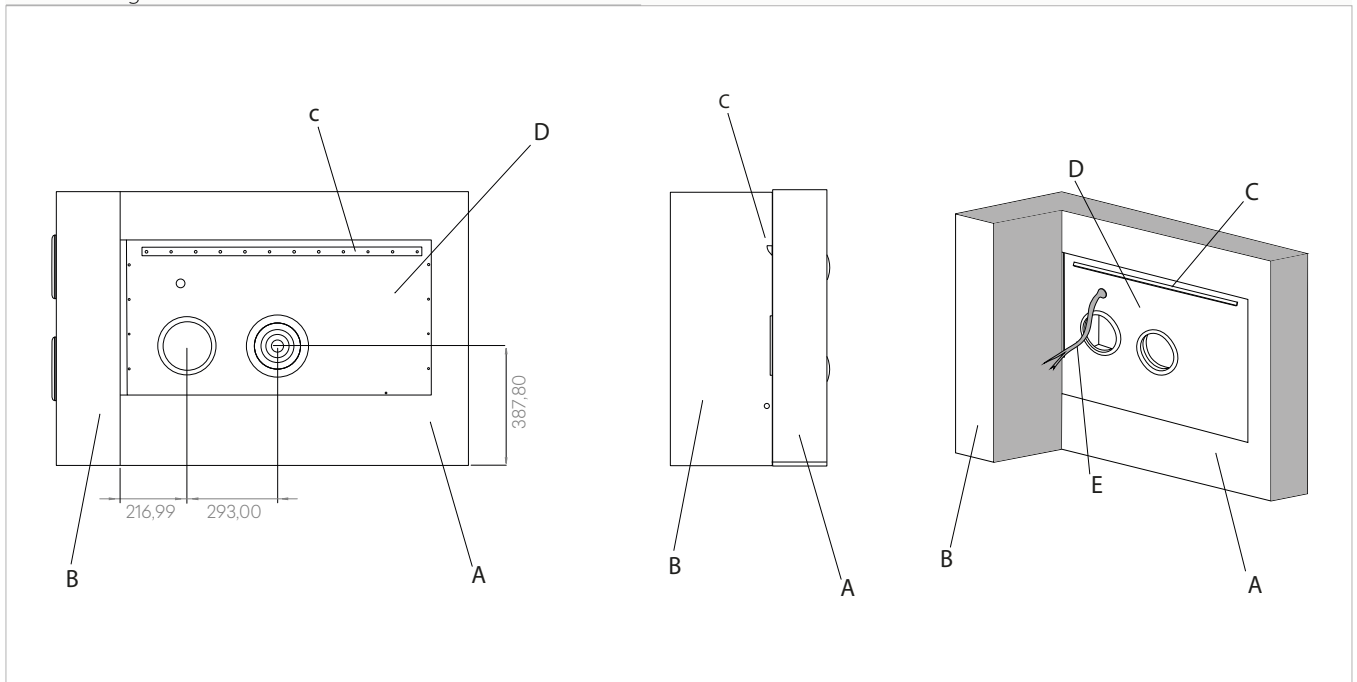
## Box installation

– Insert the formwork completely into the space provided

- A** Wall housing formwork
- B** External perimeter wall
- C** Fixing bracket **Soloclim**

– Fix into the wall properly the formwork

- D** Lateral ventilation box
- E** Electric connections

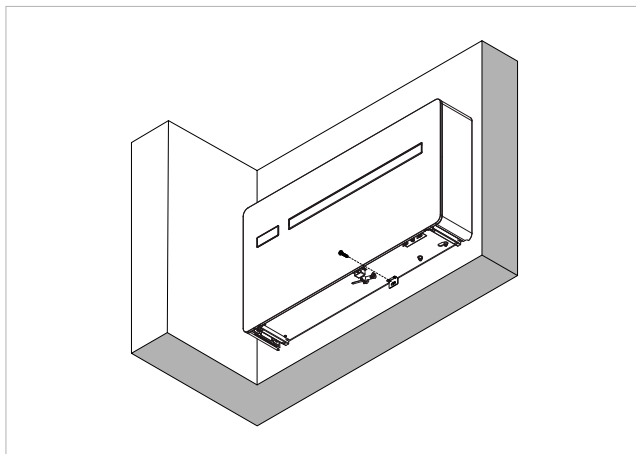


## Unit installation

⚠ Before installing the unit on the bracket, run the cables coming out of the formwork through the left shoulder of the unit.

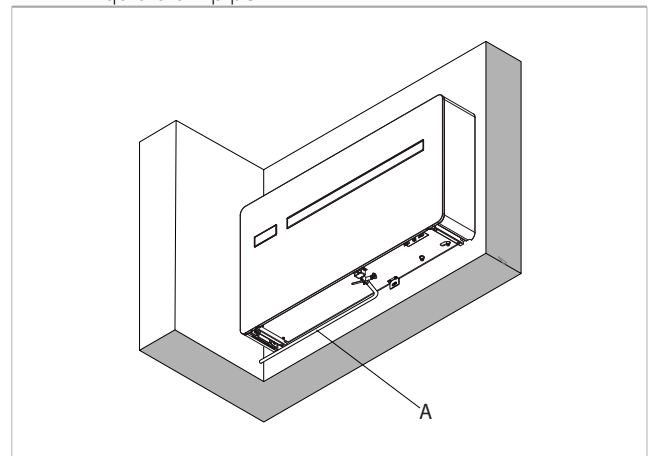
⚠ For the installation of the appliance, refer to its installation manual.

Anchor the machine to the wall by means of the special anti-lift bracket located at the bottom of the machine.



Connect the liquid drain pipe.

- A** Liquid drain pipe



## Electric connections

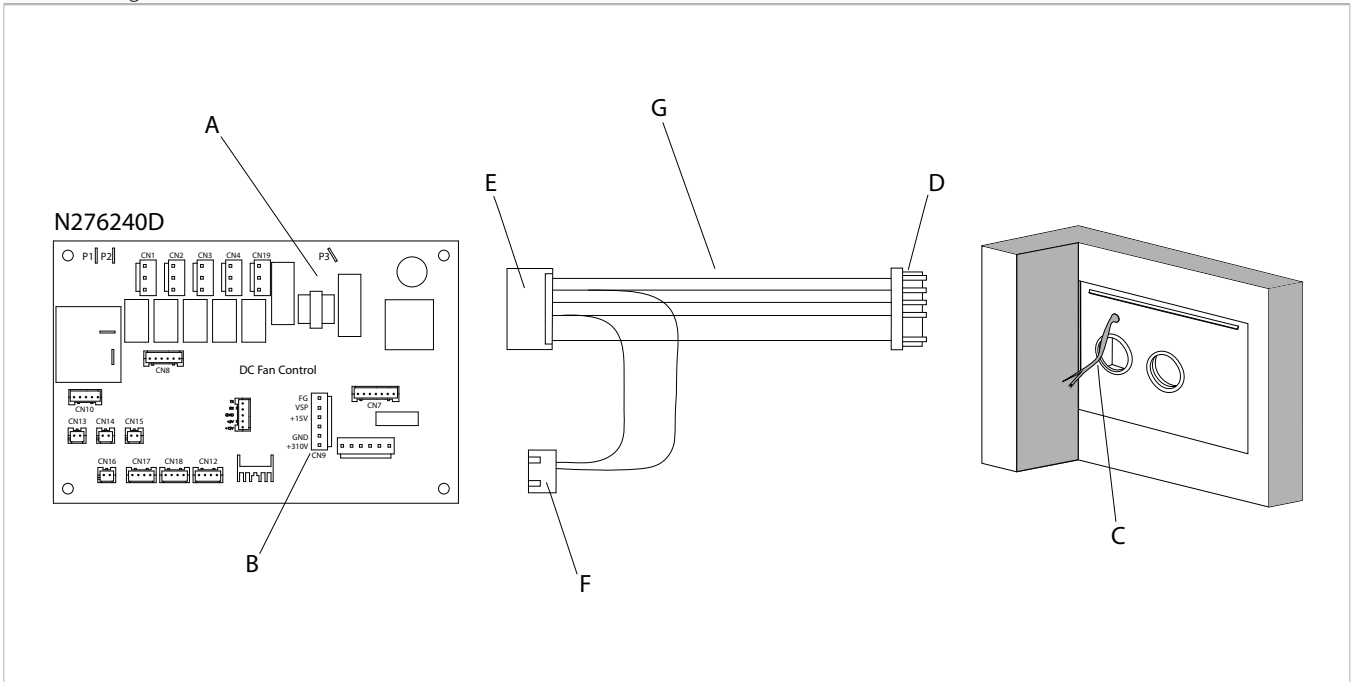
Refer to the manual of the appliance on which the kit is installed to access the electrical connections section.

⚠ To make electrical connections:

- check that the formwork's power cables have been correctly routed through the left shoulder of the unit

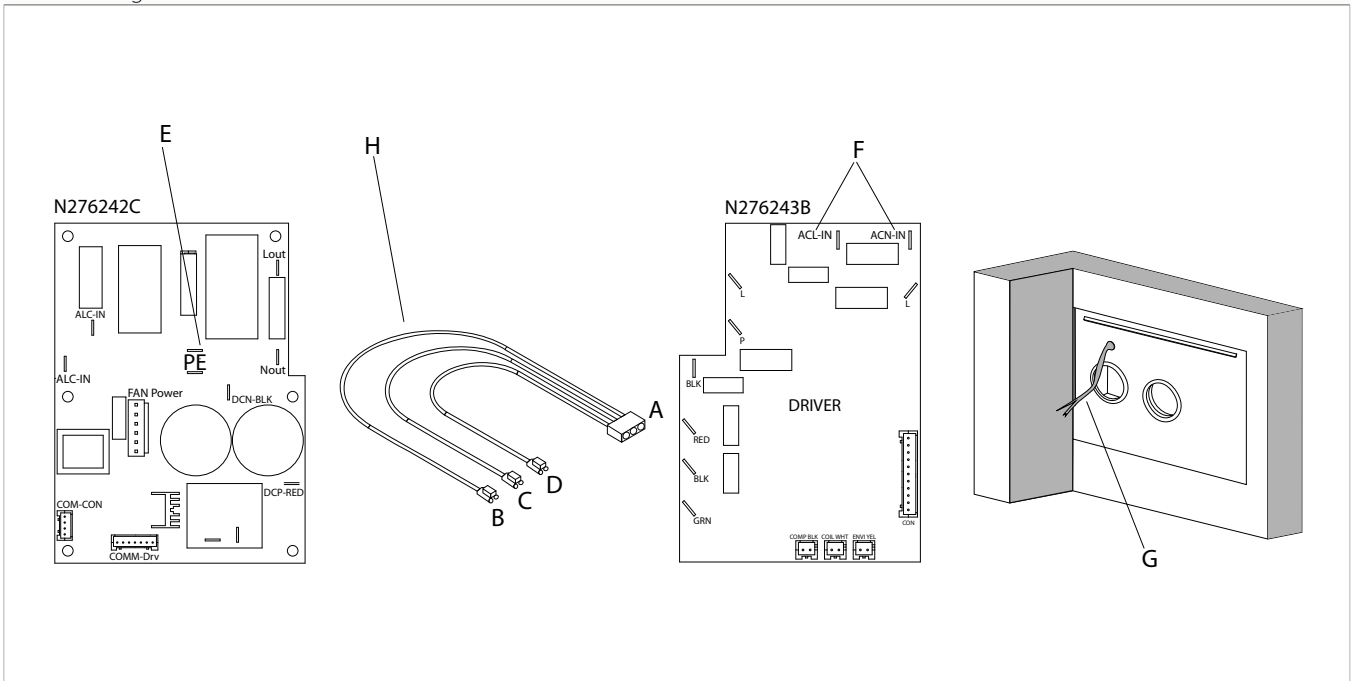
- use the cables supplied with the formwork (code N500172A and code N500169B).

<b>A</b>	MAIN MCU board (cod. N276240D)
<b>B</b>	CN9 contact fan output
<b>C</b>	Formwork connection cables
<b>D</b>	Molex clamp, 6-way, 1 row, 3.96 mm pitch
<b>E</b>	PCB connector Molex, 6-way, 1 row, 3.96 mm pitch, female
<b>F</b>	Clamp JST-XH, 4-way, 1-row, 2.5 mm pitch
<b>G</b>	wiring N500172A



- disconnect CN9 fan output contact (B), from MAIN MCU board N276240D
- connect the Molex PCB connector (E) to the CN9 fan output contact (B)
- connect the CN9 fan output contact (B), previously disconnected, to the molex terminal (D).
- connect the fan signal from the ventilation box to terminal JST-XH (F)

<b>A</b>	MATE N'LOCK female connector, for formwork fan power supply
<b>B</b>	Earth power supply
<b>C</b>	Power supply line
<b>D</b>	Neutral formwork fan power supply
<b>E</b>	PE
<b>F</b>	ACL_IN e ACN_IN
<b>G</b>	Formwork connection cables
<b>H</b>	Wiring N500169B



- connect the MATE N'LOCK connector (A) to the formwork connection cable (G) of the external fan
- disconnect the cables on ACL\_IN and ACN\_IN (F) from the Driver board N276243B
- connect the wires of the N500169B wiring on the driver. Connect the power supply line (brown) (C) on ACL\_IN and the neutral formwork fan power supply (blue) (D) on ACN\_IN
- Reconnect the driver wires in the faston piggy bags (blue on ACN\_IN and RED on ACL\_IN)
- disconnect the ground wires on the power board from the central PE connector (E)
- connect the yellow/green power supply ground wire (B) of the N500169B wiring on PE contact (E) of the power board
- reconnect the previously disconnected wires on the double faston.