

**FM Mattsson Mora Group AB**

Box 480, SE-792 27 Mora

Tel. +46 (0)250 59 60 00, [www.fmmattsson.com](http://www.fmmattsson.com)

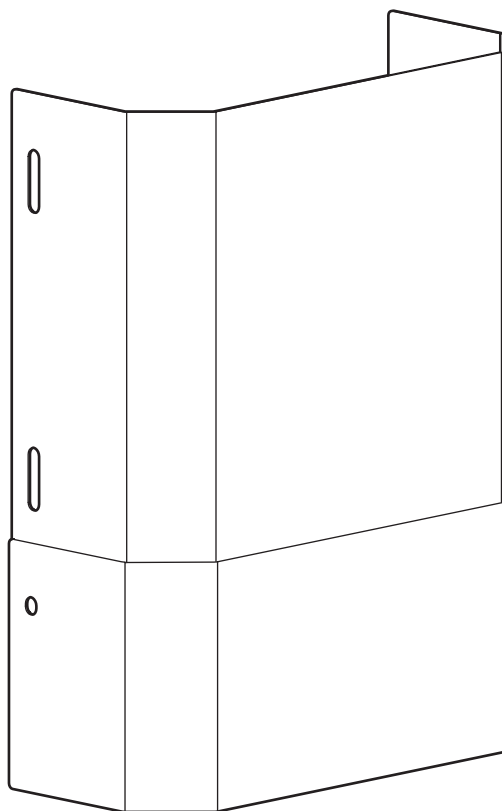
**FM Mattsson**

---

Monteringsanvisning / Installation instruction

FMM: 100 96 18 - Rev.001

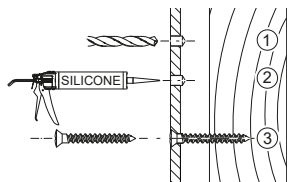
## **FM Mattsson skyddsplåt** **FM Mattsson cover sheet**



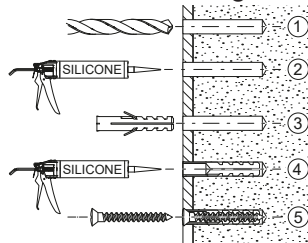
# Montera skyddsplåt

## Install cover sheet

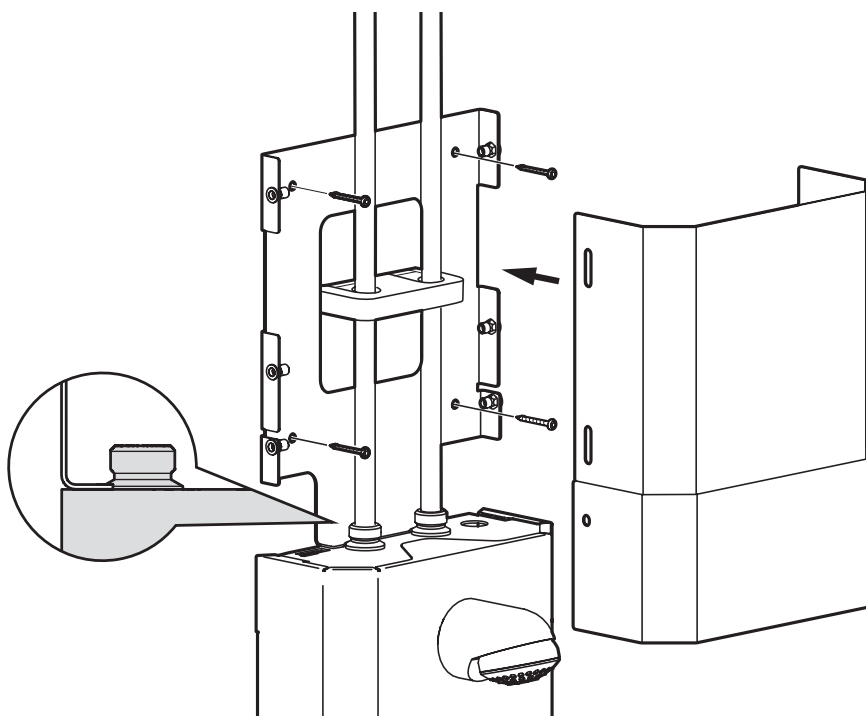
1 A ————— Trä / Wood



1 B ————— Betong / Concrete



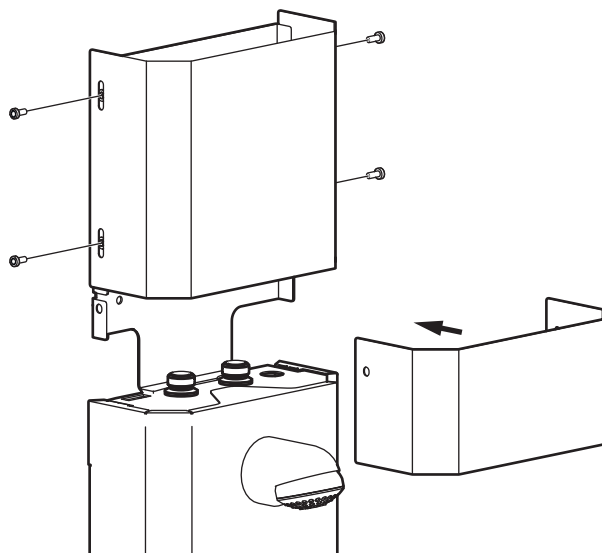
2



## Montera skyddsplåt Install cover sheet

---

3



4

