



# Oras Saga

Installation and maintenance guide







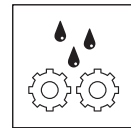
4-11



12-17



18



18-22

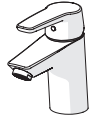
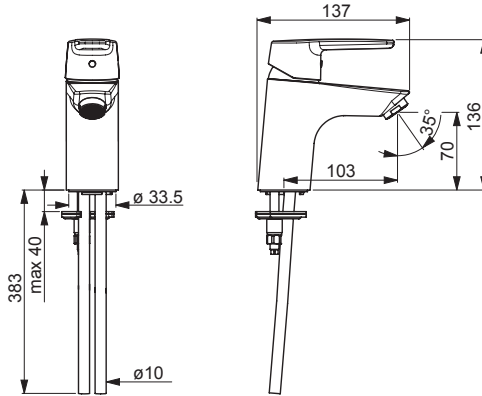


23



## 3910

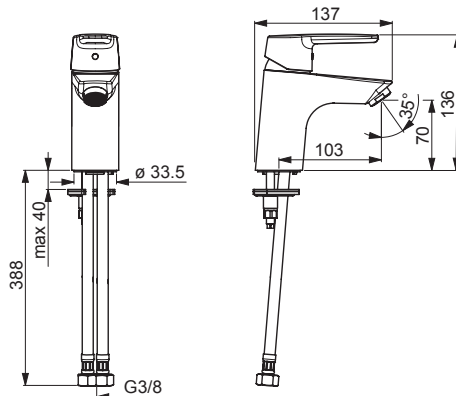
I (ISO 3822) Oras lab.  
 EN 817  
 50 - 1000 kPa  
 0.1 l/s (300 kPa w/Controller)  
 200 kPa (0.1 l/s)  
 max. +80°C



[mpi.oras.com/3910](http://mpi.oras.com/3910)

## 3910F , 3910FK

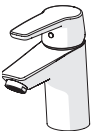
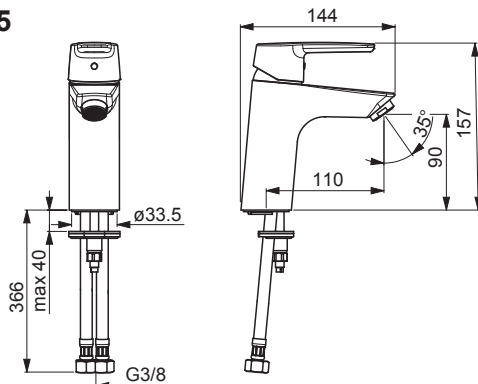
I (ISO 3822) Oras lab.  
 EN 817  
 50 - 1000 kPa  
 0.1 l/s (300 kPa w/Controller)  
 200 kPa (0.1 l/s)  
 max. +70°C



[mpi.oras.com/3910F](http://mpi.oras.com/3910F)

## 3911F, 3911F-104, 3911F-105

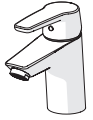
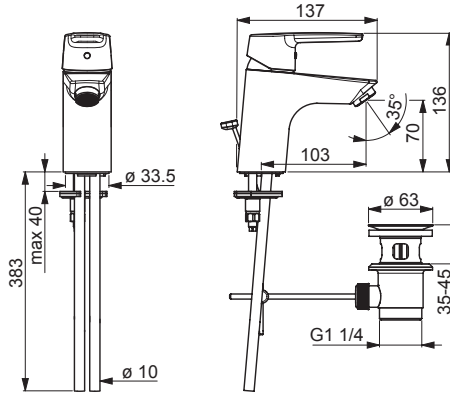
I (ISO 3822) Oras lab.  
 EN 817  
 50 - 1000 kPa  
 0.1 l/s (300 kPa w/Controller)  
 0.056 l/s (300 kPa w/Controller) (-104)  
 0.07 l/s (300 kPa w/Controller) (-105)  
 200 kPa (0.1 l/s)  
 max. +80°C



[mpi.oras.com/3911F](http://mpi.oras.com/3911F)

## 3904

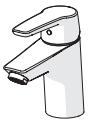
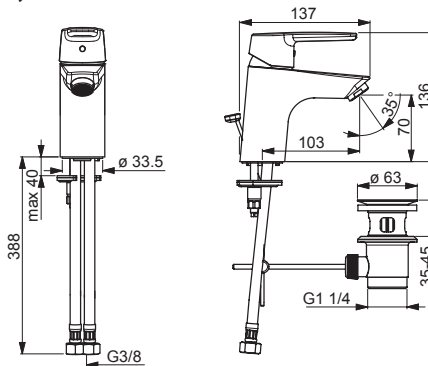
I (ISO3822) Oras lab.  
 EN 817  
 50 - 1000 kPa  
 0.1 l/s (300 kPa w/Controller)  
 200 kPa (0.1 l/s)  
 max. +80°C



[mpi.oras.com/3904](http://mpi.oras.com/3904)

## 3904F , 3904F-102 , 3904F-104 , 3904F-105

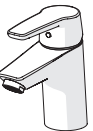
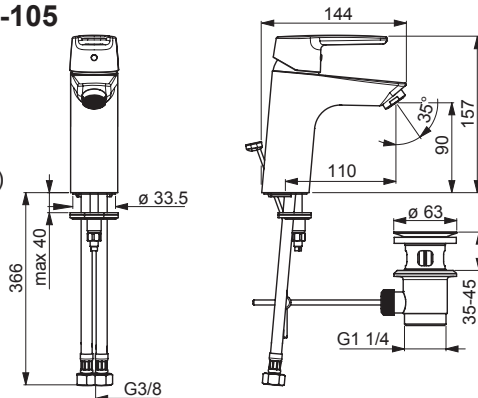
I (ISO 3822) Oras lab.  
 EN 817  
 50 - 1000 kPa  
 0.1 l/s (300 kPa w/Controller)  
 0.028 l/s (300 kPa w/Controller) (-102)  
 0.056 l/s (300 kPa w/Controller) (-104)  
 0.07 l/s (300 kPa w/Controller) (-105)  
 200 kPa (0.1 l/s)  
 max. +70°C



[mpi.oras.com/3904F](http://mpi.oras.com/3904F)

## 3914F , 3914F-104 , 3914F-105

I (ISO 3822) Oras lab.  
 EN 817  
 50 - 1000 kPa  
 0.1 l/s (300 kPa w/Controller)  
 0.056 l/s (300 kPa w/Controller) (-104)  
 0.07 l/s (300 kPa w/Controller) (-105)  
 200 kPa (0.1 l/s)  
 max. +70°C

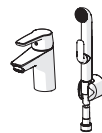
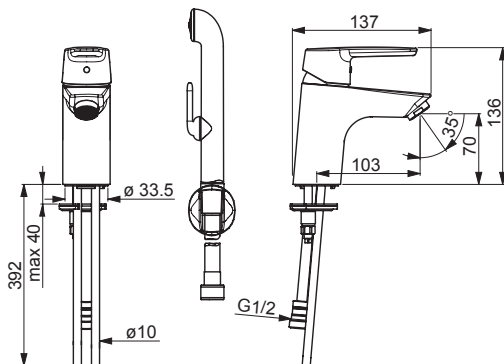


[mpi.oras.com/3914F](http://mpi.oras.com/3914F)



## 3912

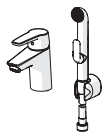
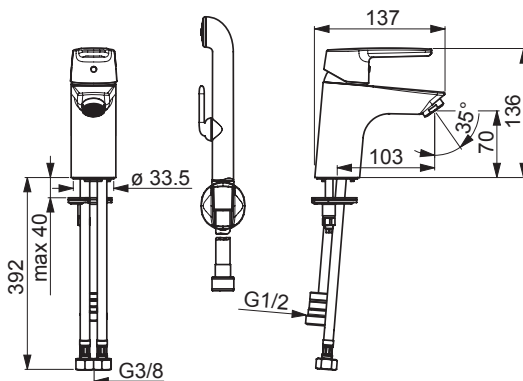
I (ISO 3822) Oras lab.  
EN 817, EN 1113  
50 - 1000 kPa  
0.1 l/s (300 kPa w/Controller)  
200 kPa (0.1 l/s)  
max. +80°C



[mpi.oras.com/3912](http://mpi.oras.com/3912)

## 3912F

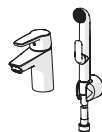
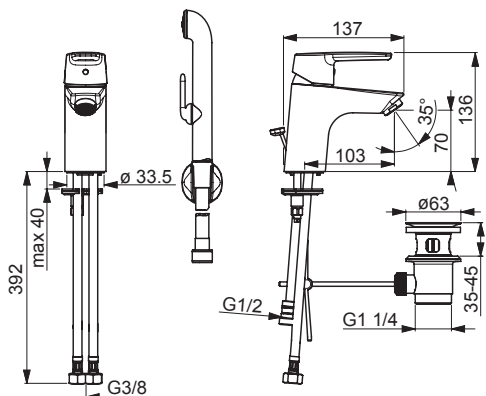
I (ISO 3811) Oras lab.  
EN 817, EN 1113  
50 - 1000 kPa  
0.1 l/s (300 kPa w/Controller)  
200 kPa (0.1 l/s)  
max. +70°C



[mpi.oras.com/3912F](http://mpi.oras.com/3912F)

## 3908F

I (ISO 3822) Oras lab.  
EN 817, EN 1113  
50 - 1000 kPa  
0.1 l/s (300 kPa w/Controller)  
200 kPa (0.1 l/s)  
max. +70°C

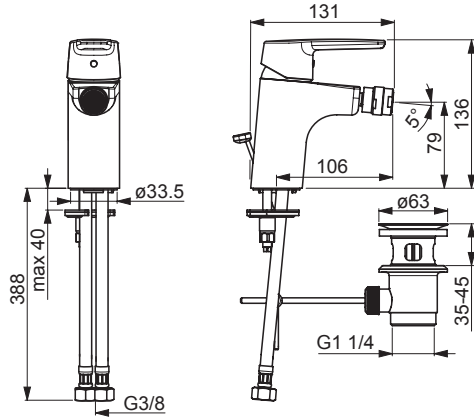


[mpi.oras.com/3908F](http://mpi.oras.com/3908F)



### 3918F

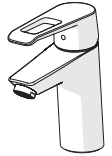
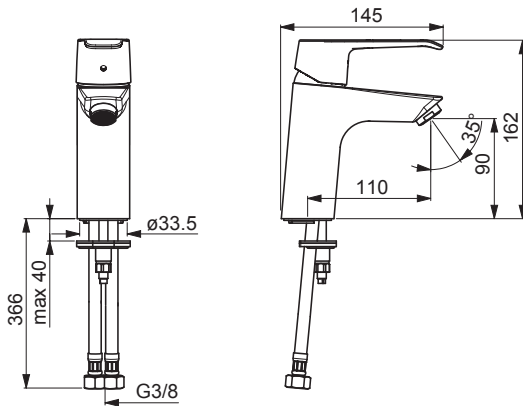
I (ISO 3822) Oras lab.  
 EN 817  
 50 - 1000 kPa  
 0.1 l/s (300 kPa w/Controller)  
 200 kPa (0.1 l/s)  
 max. +70°C



[mpi.oras.com/3918F](http://mpi.oras.com/3918F)

### 3991F

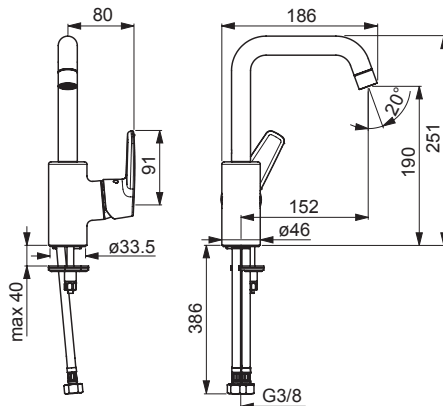
I (ISO 3822) Oras lab.  
 EN 817  
 50 - 1000 kPa  
 0.1 l/s (300 kPa w/Controller)  
 200 kPa (0.1 l/s)  
 max. +70°C



[mpi.oras.com/3991F](http://mpi.oras.com/3991F)

### 3907F

I (ISO 3822) Oras lab.  
 EN 817  
 50 - 1000 kPa  
 0.1 l/s (300 kPa w/Controller)  
 200 kPa (0.1 l/s)  
 max. +70°C

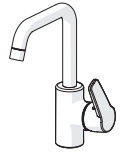
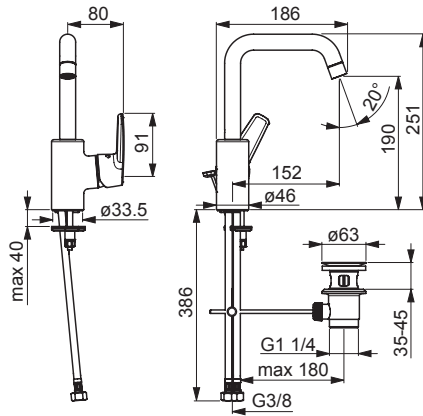


[mpi.oras.com/3907F](http://mpi.oras.com/3907F)



## 3909F

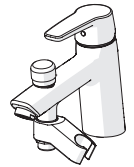
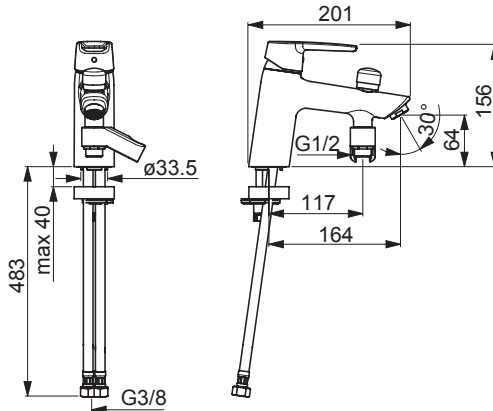
I (ISO 3822) Oras lab.  
 EN 817  
 50 - 1000 kPa  
 0.1 l/s (300 kPa w/Controller)  
 200 kPa (0.1 l/s)  
 max. +70°C



[mpi.oras.com/3909F](http://mpi.oras.com/3909F)

## 3946F

II (ISO 3822)  
 EN 817  
 50 - 1000 kPa  
 0.34 / 0.32 l/s (300 kPa)  
 250 kPa (0.3 l/s)  
 max. +70°C

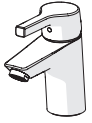
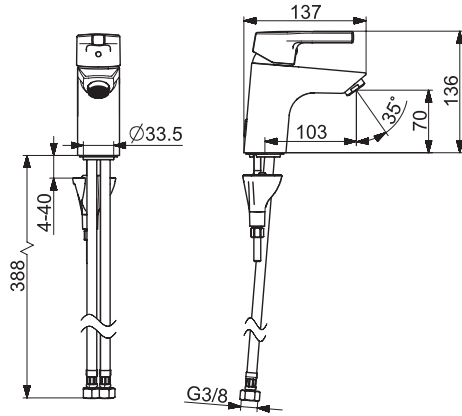


[mpi.oras.com/3946F](http://mpi.oras.com/3946F)



## 3910FH , 3910FHK

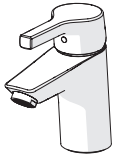
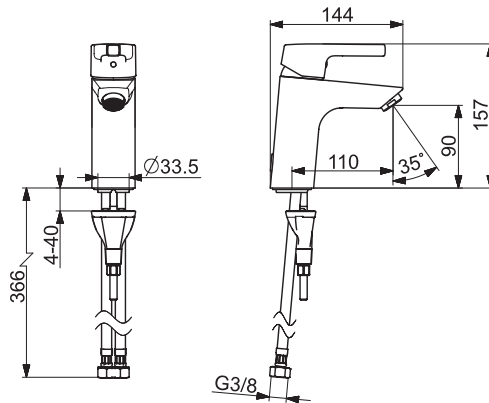
I (ISO3822)  
 EN 817  
 50 - 1000 kPa  
 0.1 l/s (300 kPa w/Controller)  
 max. +70°C



[mpi.oras.com/3910FH](http://mpi.oras.com/3910FH)

## 3911FH

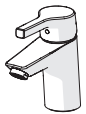
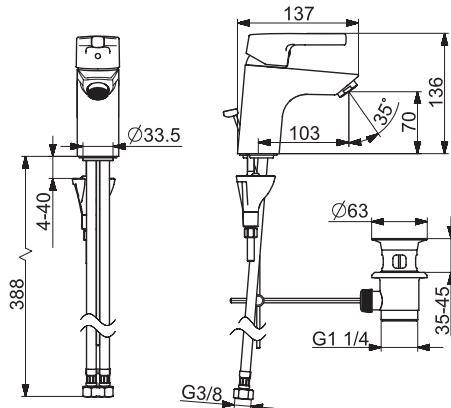
I (ISO3822)  
 EN 817  
 50 - 1000 kPa  
 0.1 l/s (300 kPa w/Controller)  
 max. +70°C



[mpi.oras.com/3911FH](http://mpi.oras.com/3911FH)

## 3904FH

I (ISO3822)  
 EN 817  
 50 - 1000 kPa  
 0.1 l/s (300 kPa w/Controller)  
 max. +70°C

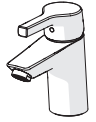
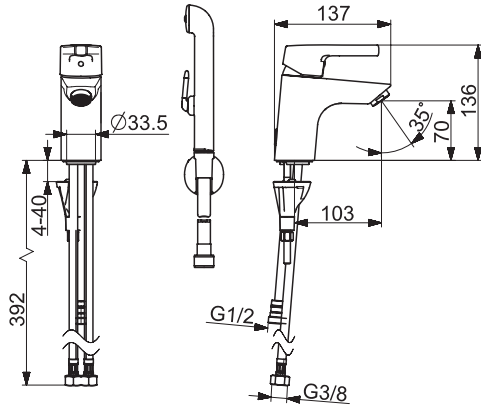


[mpi.oras.com/3904FH](http://mpi.oras.com/3904FH)



### 3912FH

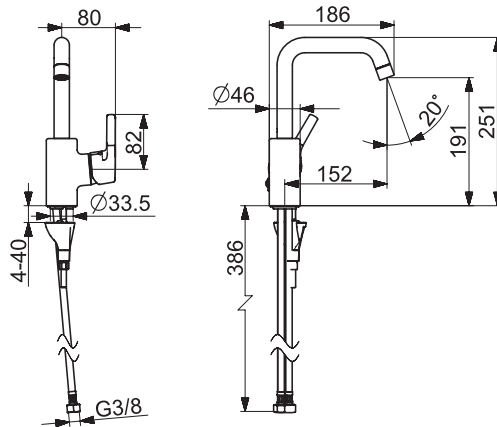
I (ISO3822)  
 EN 817, EN 1113  
 50 - 1000 kPa  
 0.1 l/s (300 kPa w/Controller)  
 max. +70°C



[mpi.oras.com/3912FH](http://mpi.oras.com/3912FH)

### 3907FH

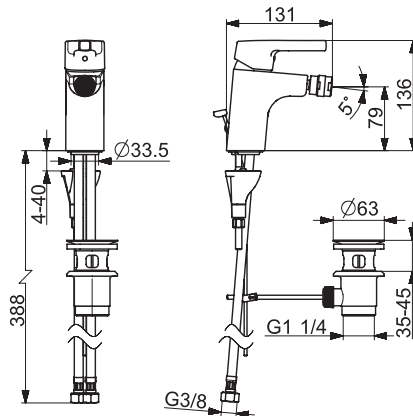
I (ISO3822)  
 EN 817  
 50 - 1000 kPa  
 0.1 l/s (300 kPa w/Controller)  
 max. +70°C



[mpi.oras.com/3907FH](http://mpi.oras.com/3907FH)

### 3918FH

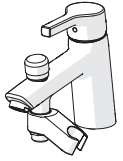
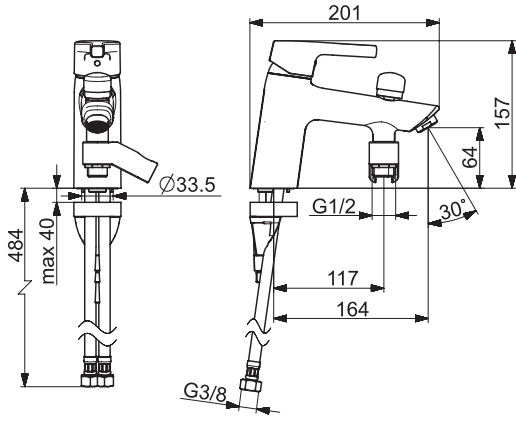
I (ISO3822)  
 EN 817  
 50 - 1000 kPa  
 0.1 l/s (300 kPa w/Controller)  
 max. +70°C



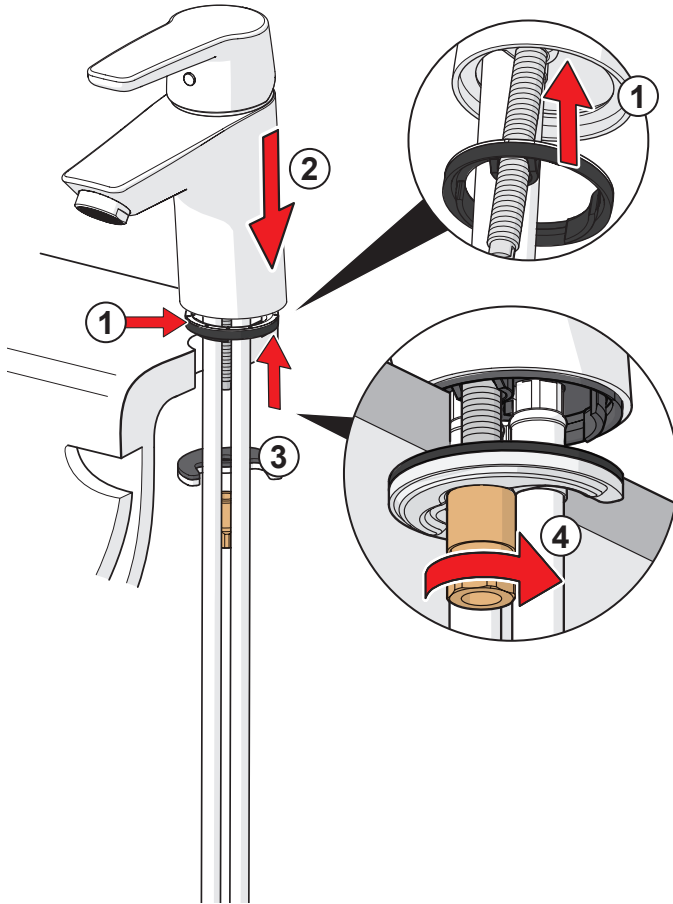
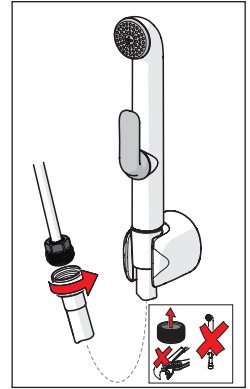
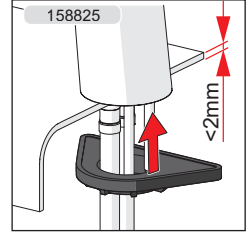
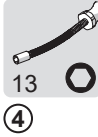
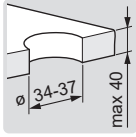
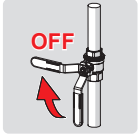
[mpi.oras.com/3918FH](http://mpi.oras.com/3918FH)

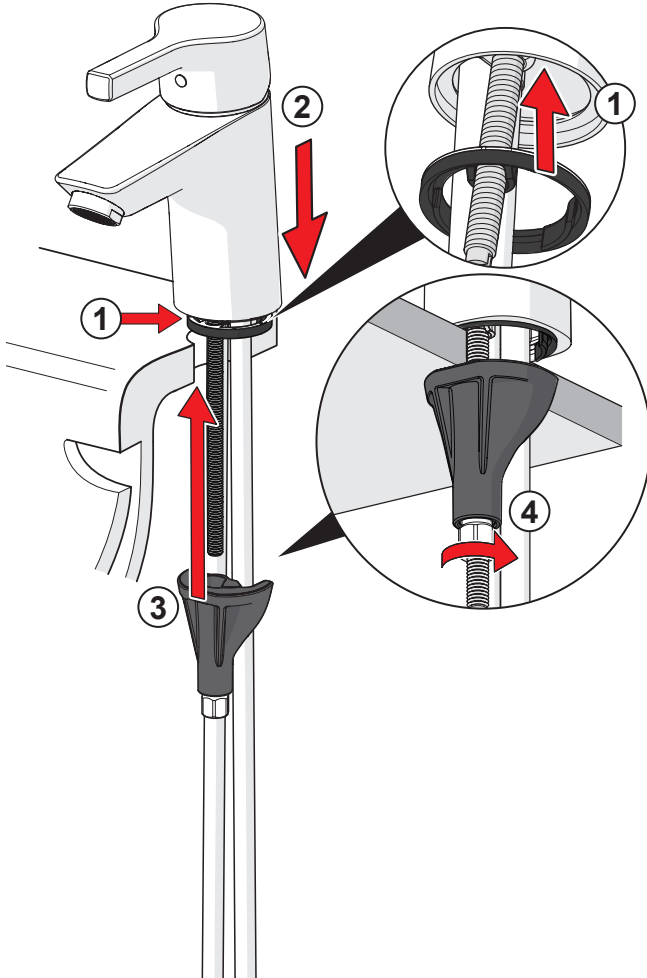
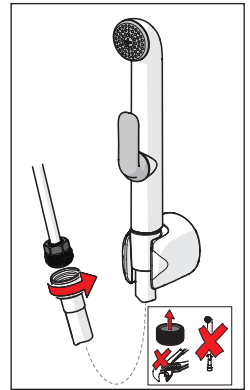
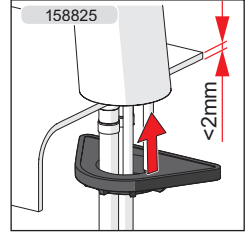
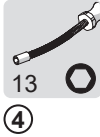
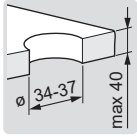
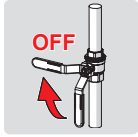
# 3946FH

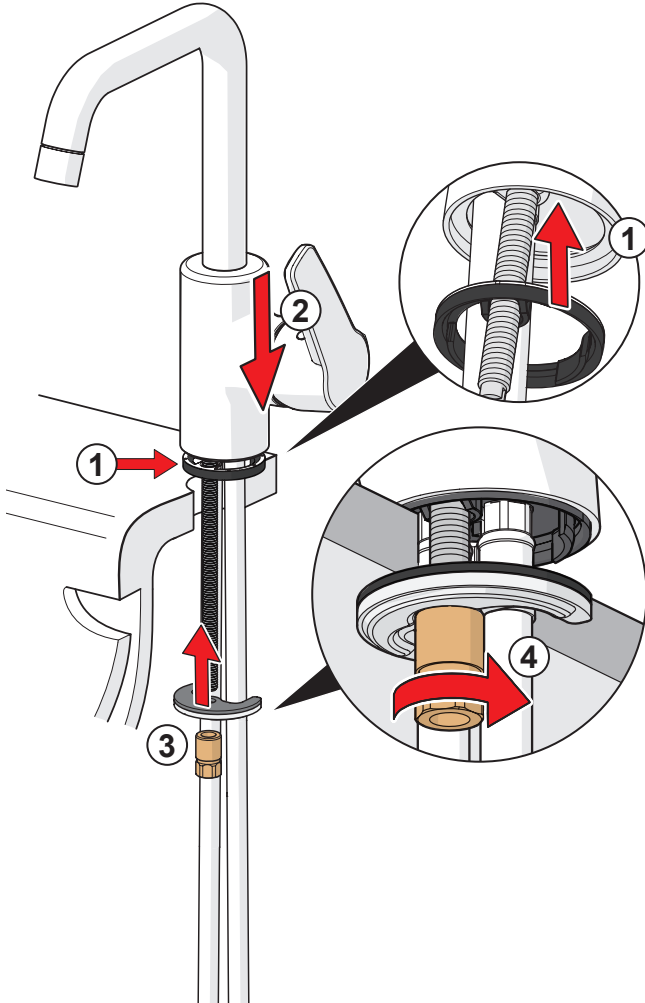
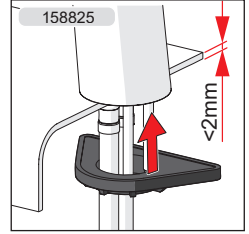
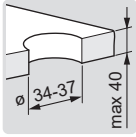
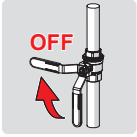
II (ISO 3822)  
EN 817  
50 - 1000 kPa  
0.34 / 0.22 l/s (300 kPa)  
max. +80°C

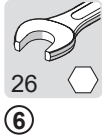
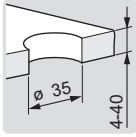
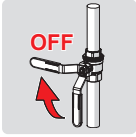


[mpi.oras.com/3946FH](http://mpi.oras.com/3946FH)

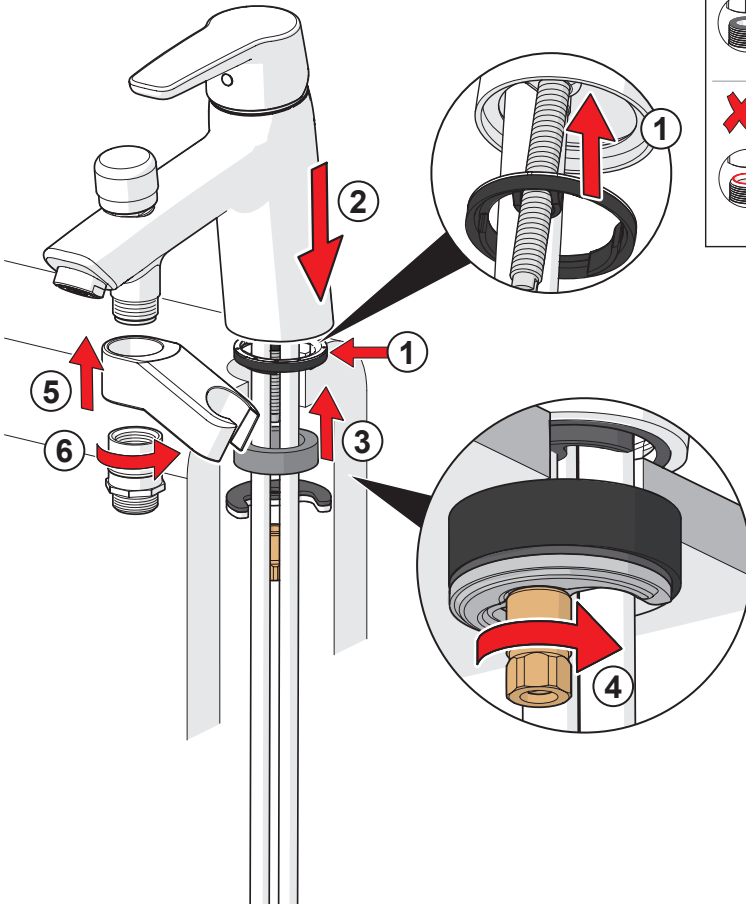
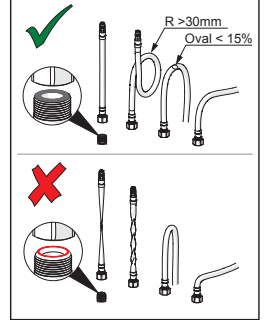
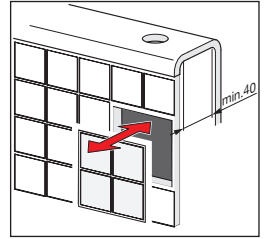








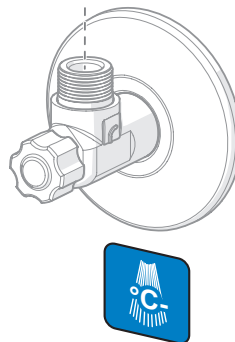
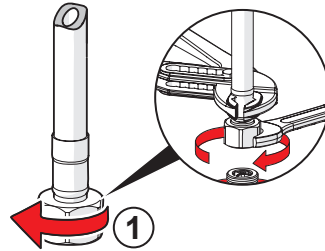
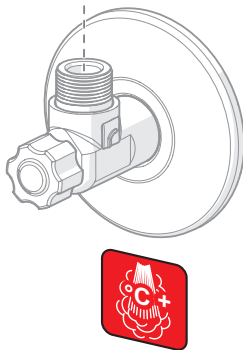
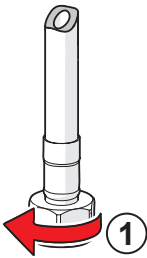
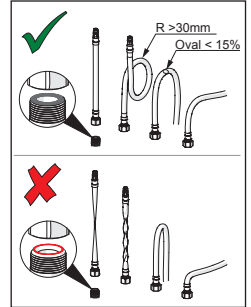
max.  
1600 kPa





19

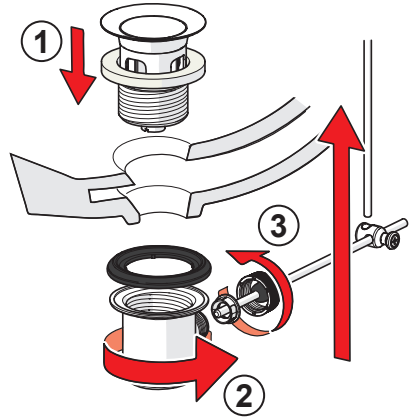
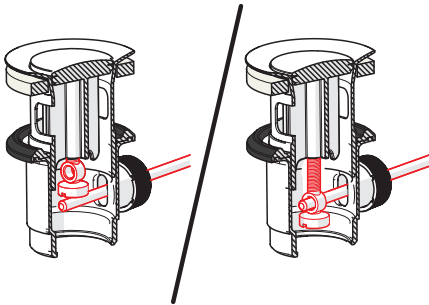
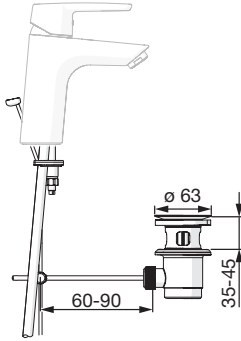
①



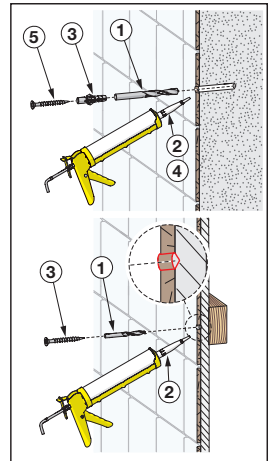
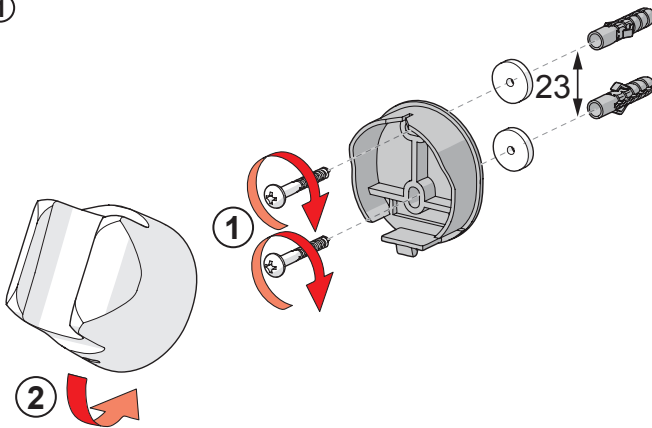


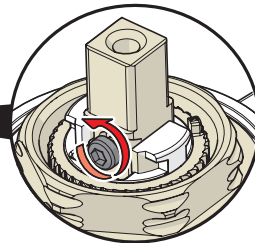
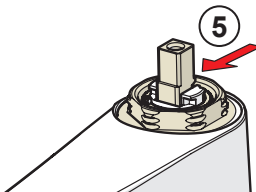
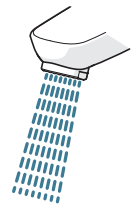
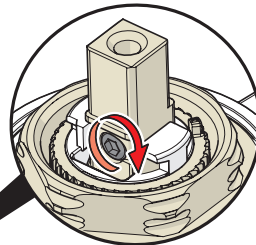
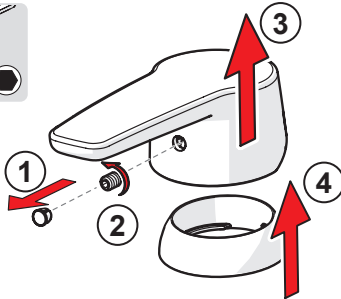
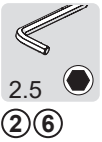
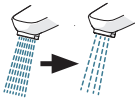


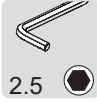
① ② ③



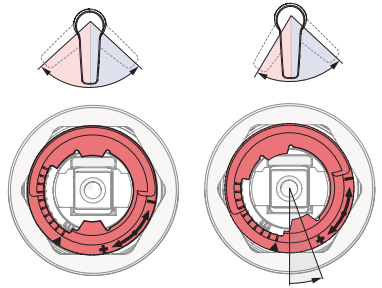
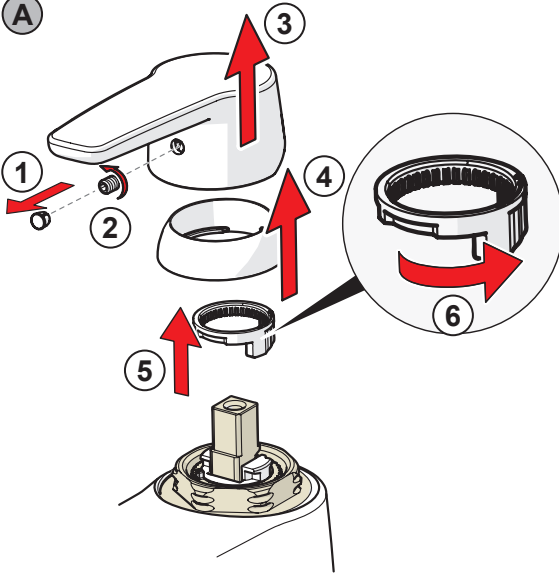
①



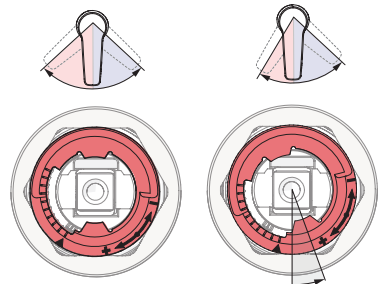
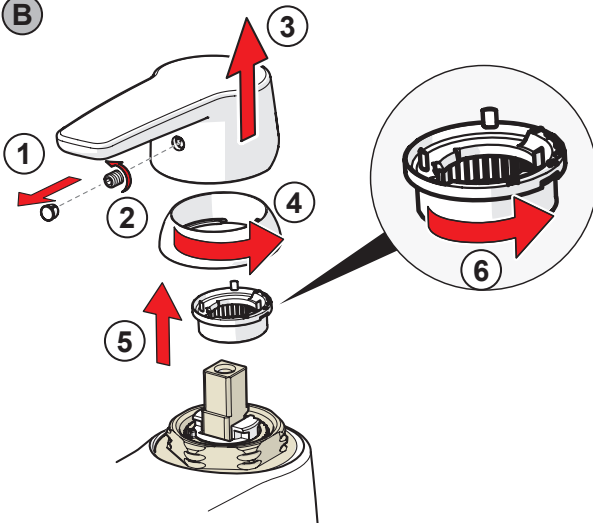


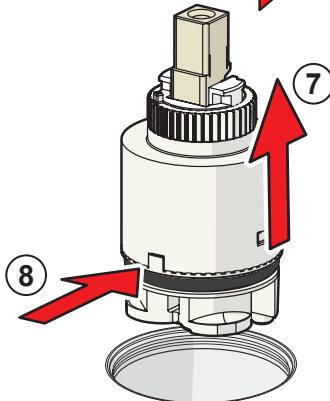
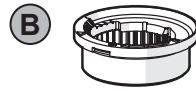
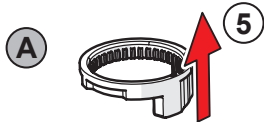
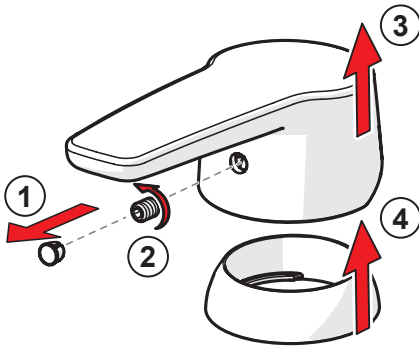
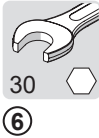
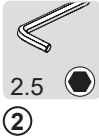
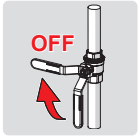


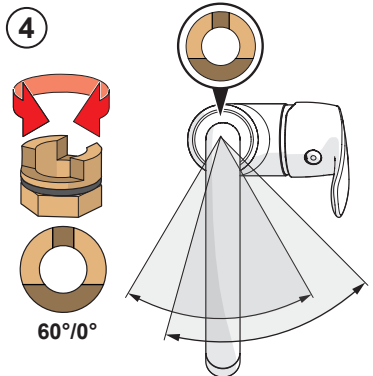
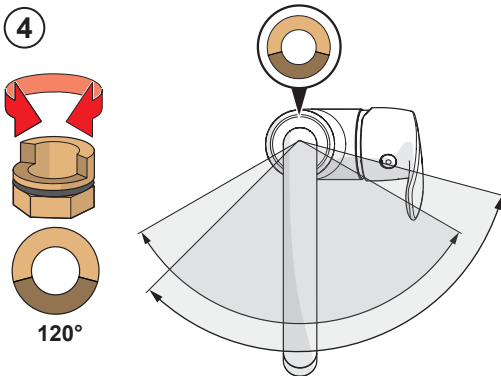
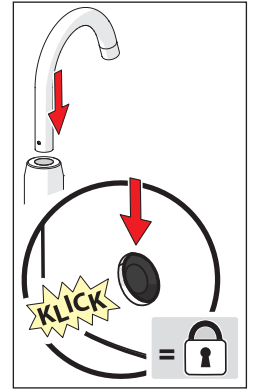
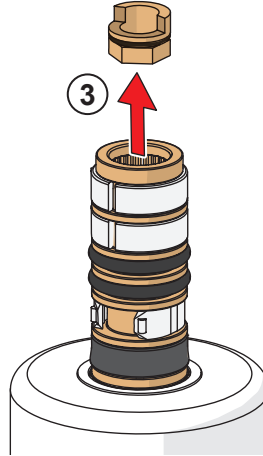
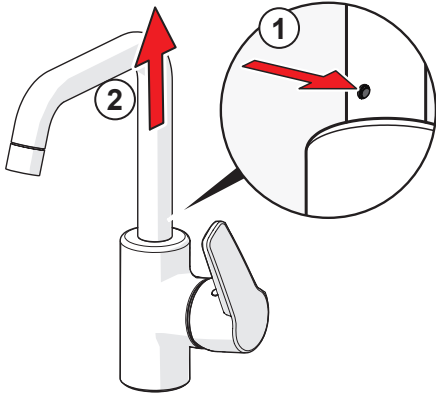
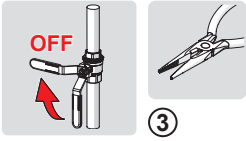
2.5  
②  
A



B

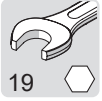




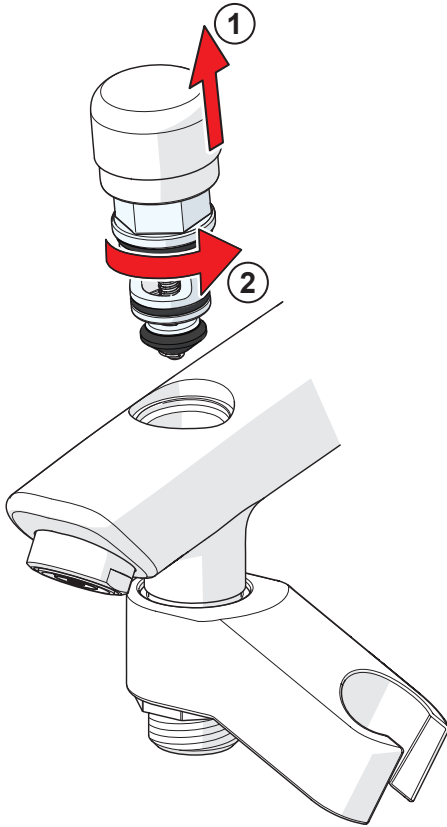


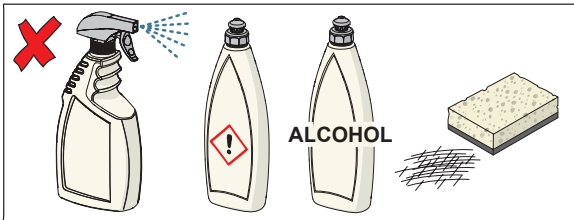
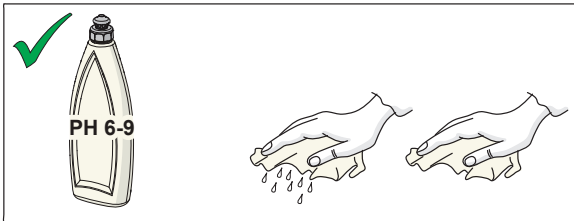
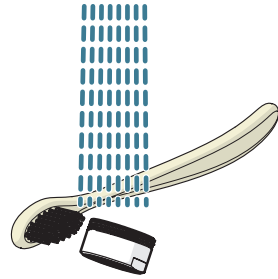
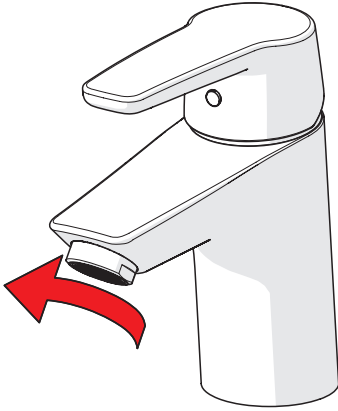
159670/10

159667/10



①





CLEANING.ORAS.COM











Oras Group is a powerful European provider of sanitary fittings: the market leader in the Nordics and a leading company in Continental Europe. The company's mission is to make the use of water easy and sustainable and its vision is to become the European leader of advanced sanitary fittings. Oras Group has two strong brands: Oras and Hansa.

The Group's head office is located in Rauma, Finland, and the Group has three manufacturing sites: Kralovice (Czech Republic), Olesno (Poland) and Rauma (Finland). Oras Group employs approximately 1,200 people in twenty countries. Oras Group is owned by Oras Invest, a family company and an industrial owner.

ORAS Ltd  
Isometsäntie 2, P.O. Box 40  
FI-26101 Rauma  
Tel. +358 2 83 161  
Fax +358 2 831 6300  
info.finland@oras.com  
www.oras.com



943235-01-22