



# Oras Nova

## INSTALLATION AND MAINTENANCE GUIDE







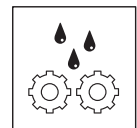
4-7



8-12



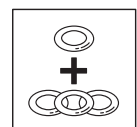
13-14



15-19



20

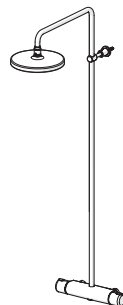
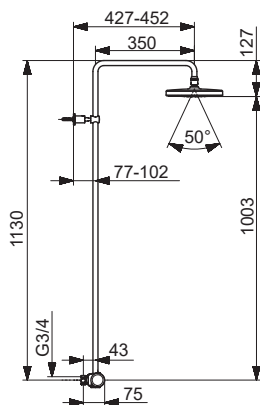
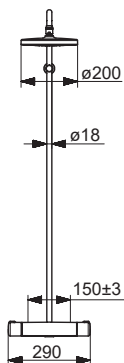


21-22



## 7400

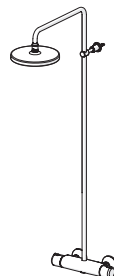
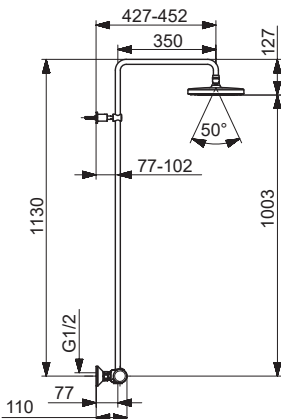
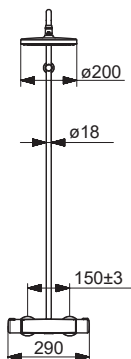
I (ISO 3822)  
 EN 1111  
 100 - 1000 kPa  
 0.27 l/s (300 kPa)  
 170 kPa (0.2 l/s)  
 max. +65°C



[static.oras.com/7400](http://static.oras.com/7400)

## 7400U

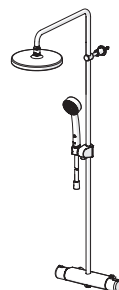
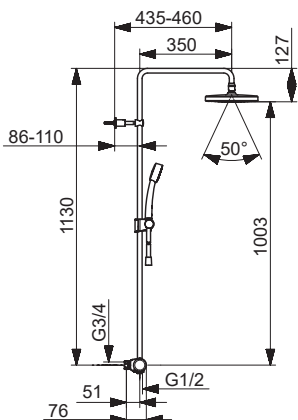
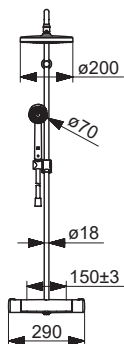
I (ISO 3822)  
 EN 1111  
 100 - 1000 kPa  
 0.27 l/s (300 kPa)  
 170 kPa (0.2 l/s)  
 max. +65°C



[static.oras.com/7400U](http://static.oras.com/7400U)

## 7401

I (ISO 3822)  
 EN 1111  
 100 - 1000 kPa  
 0.25 / 0.26 l/s (300 kPa)  
 180 kPa (0.2 l/s)  
 max. +65°C

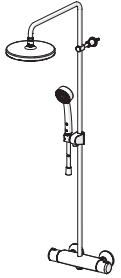
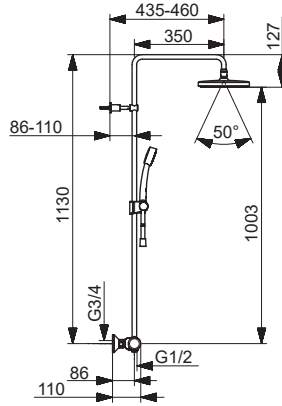
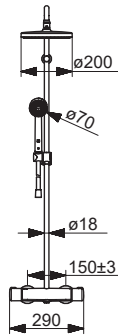


[static.oras.com/7401](http://static.oras.com/7401)



## 7401U

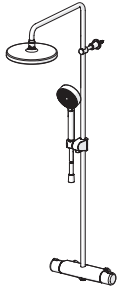
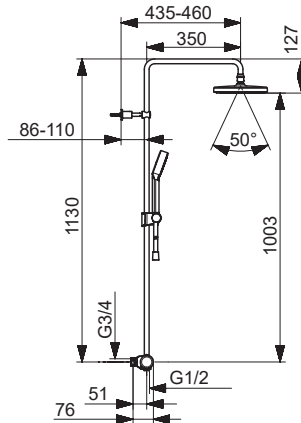
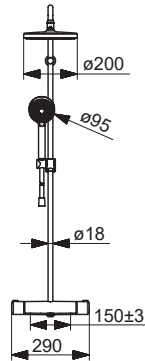
I (ISO 3822)  
 EN 1111  
 100 - 1000 kPa  
 0.3 / 0.26 l/s (300 kPa)  
 180 kPa (0.2 l/s)  
 max. +65°C



[static.oras.com/7401U](http://static.oras.com/7401U)

## 7402

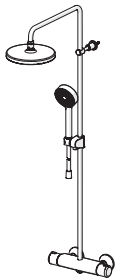
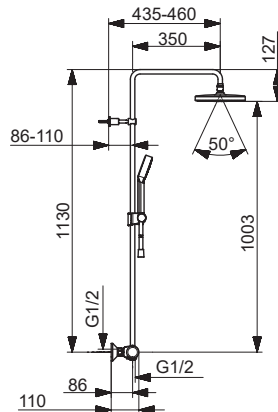
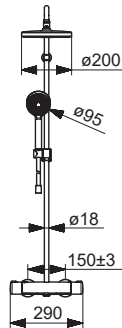
I (ISO 3822)  
 EN 1111  
 100 - 1000 kPa  
 0.3 / 0.26 l/s (300 kPa)  
 180 kPa (0.2 l/s)  
 max. +65°C



[static.oras.com/7402](http://static.oras.com/7402)

## 7402U

I (ISO 3822)  
 EN 1111  
 100 - 1000 kPa  
 0.25 / 0.26 l/s (300 kPa)  
 180 kPa (0.2 l/s)  
 max. +65°C

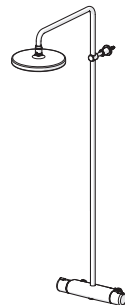
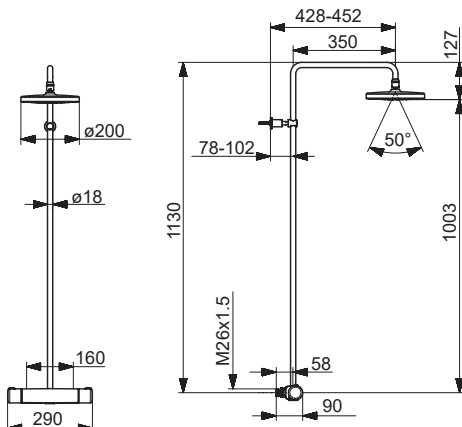


[static.oras.com/7402U](http://static.oras.com/7402U)



## 7407

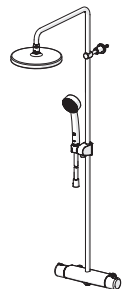
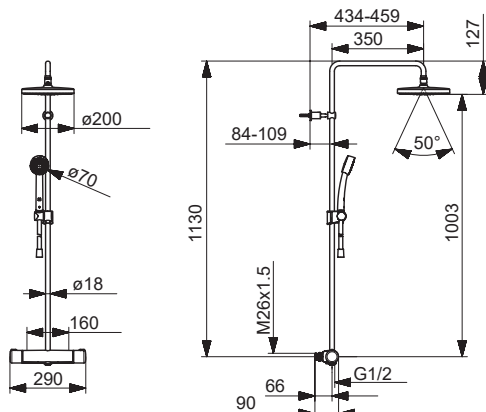
I (ISO 3822)  
 EN 1111  
 50 - 1000 kPa  
 0.27 l/s (300 kPa)  
 170 kPa (0.2 l/s)  
 max. +65°C



[static.oras.com/7407](http://static.oras.com/7407)

## 7408

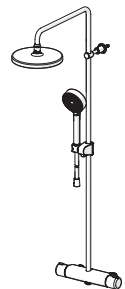
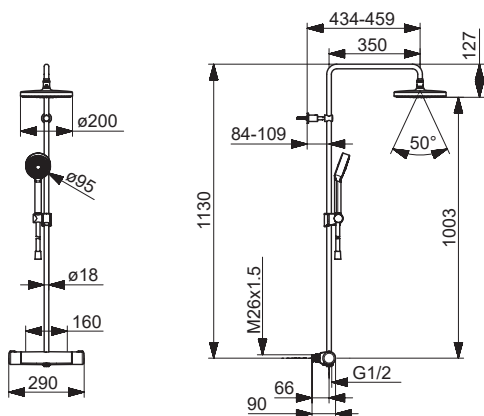
I (ISO 3822)  
 EN 1111  
 50 - 1000 kPa  
 0.25 / 0.26 l/s (300 kPa)  
 180 kPa (0.2 l/s)  
 max. +65°C



[static.oras.com/7408](http://static.oras.com/7408)

## 7409

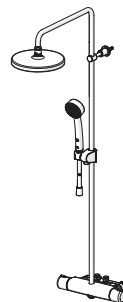
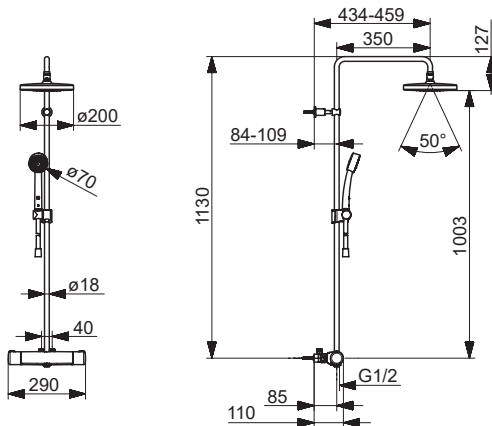
I (ISO 3822)  
 EN 1111  
 50 - 1000 kPa  
 0.25 / 0.26 l/s (300 kPa)  
 180 kPa (0.2 l/s)  
 max. +65°C



[static.oras.com/7409](http://static.oras.com/7409)

## 7418

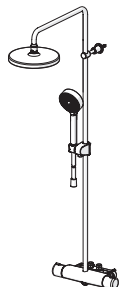
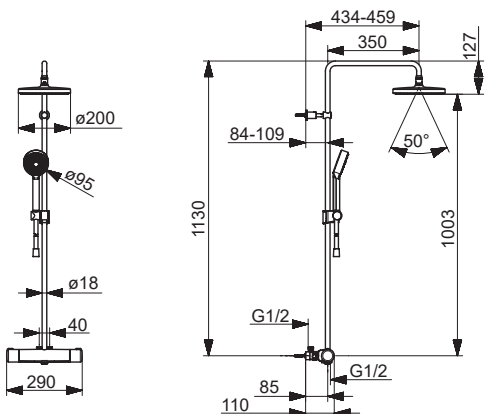
I (ISO 3822)  
 EN 1111  
 50 - 1000 kPa  
 0.25 / 0.26 l/s (300 kPa)  
 180 kPa (0.2 l/s)  
 max. +65°C



[static.oras.com/7418](http://static.oras.com/7418)

## 7419

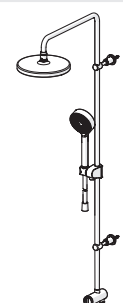
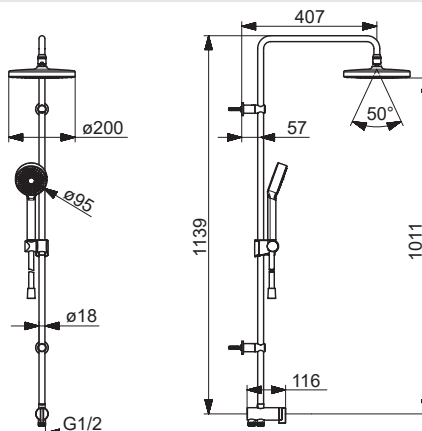
I (ISO 3822)  
 EN 1111  
 50 - 1000 kPa  
 0.25 / 0.26 l/s (300 kPa)  
 180 kPa (0.2 l/s)  
 max. +65°C



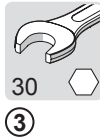
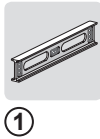
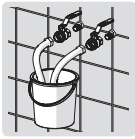
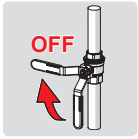
[static.oras.com/7419](http://static.oras.com/7419)

## 549

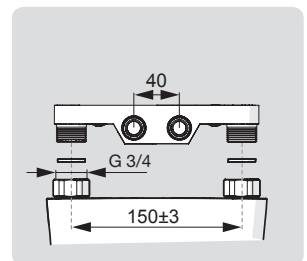
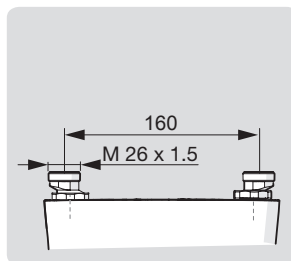
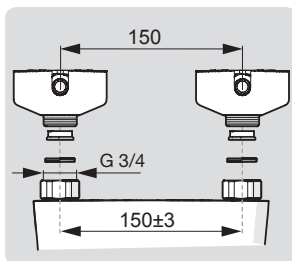
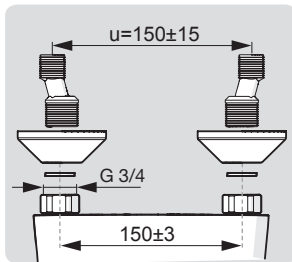
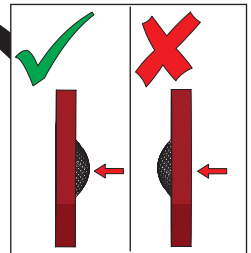
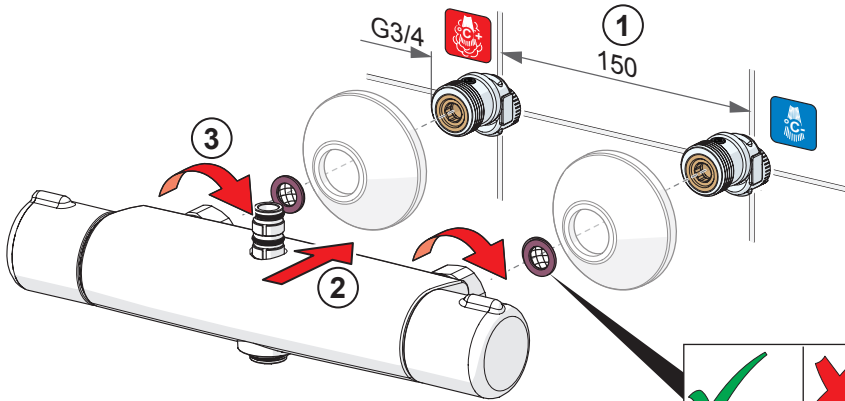
I (ISO 3822)  
 EN 1111  
 50 - 1000 kPa  
 0.25 / 0.26 l/s (300 kPa)  
 180 kPa (0.2 l/s)  
 max. +65°C

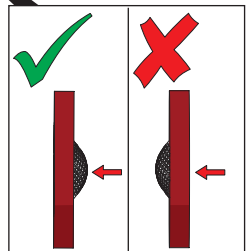
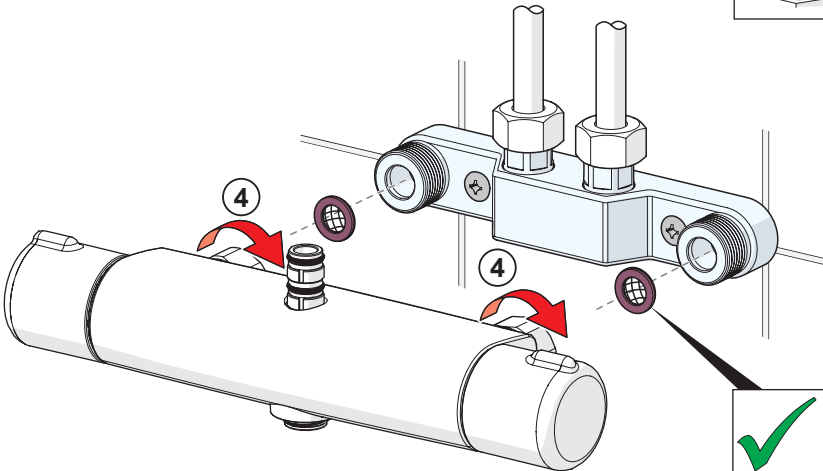
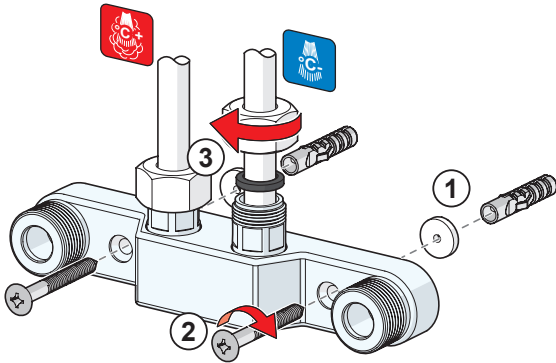
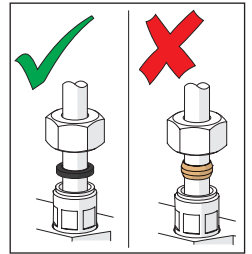
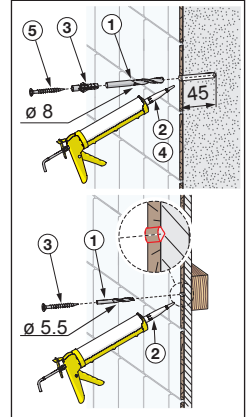
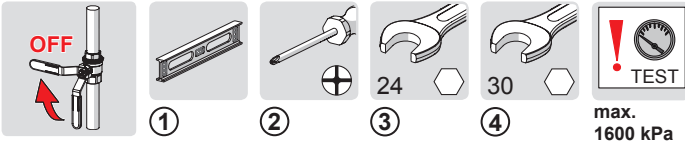


[static.oras.com/549](http://static.oras.com/549)



max.  
1600 kPa



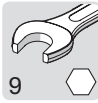




1



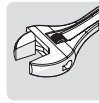
5



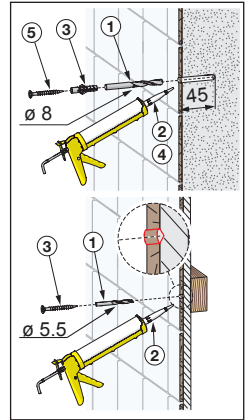
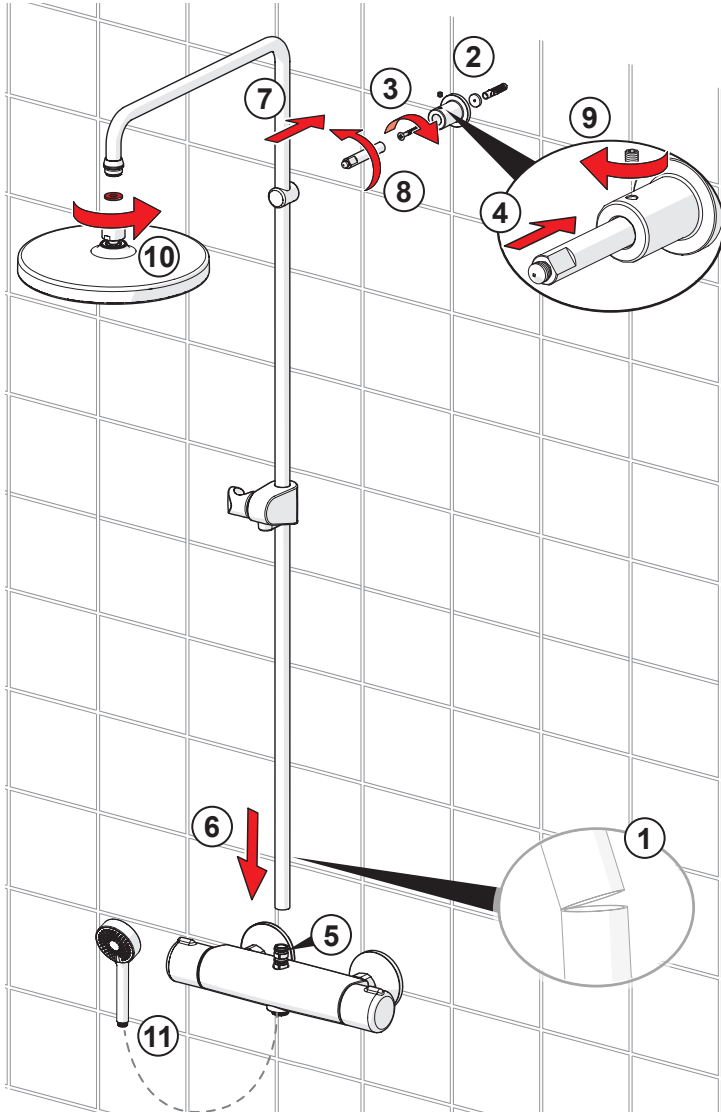
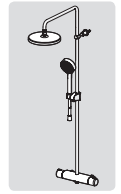
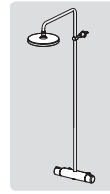
8

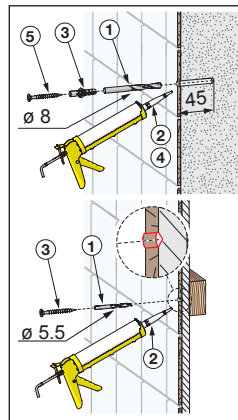
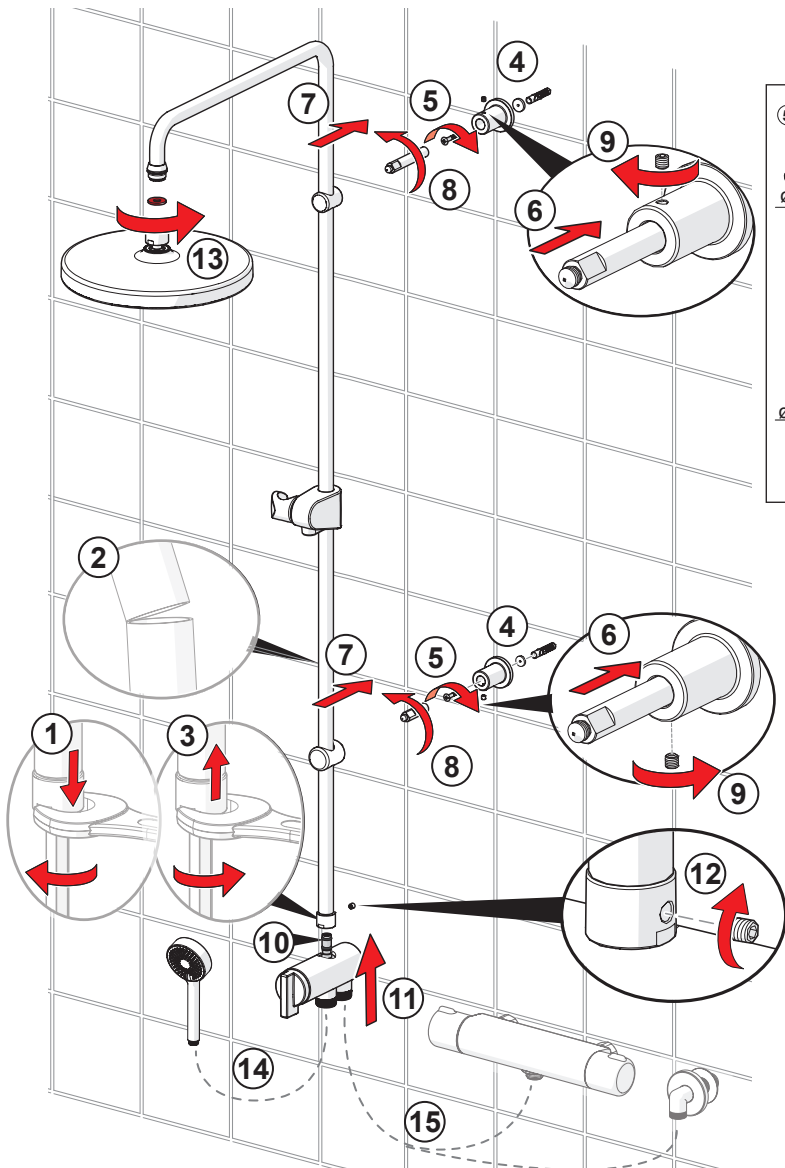
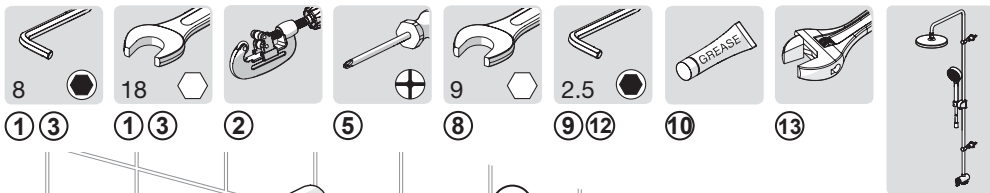


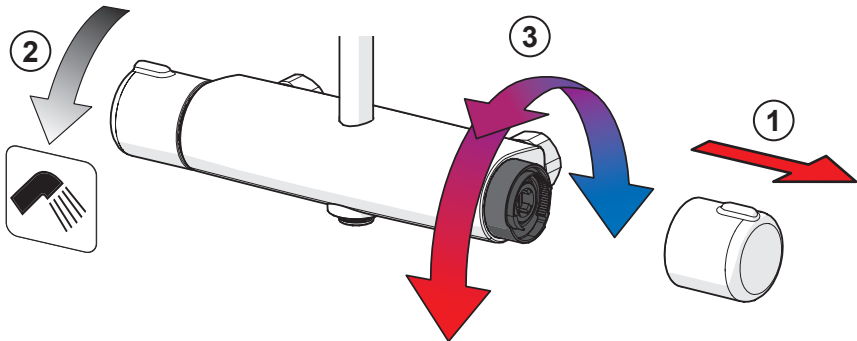
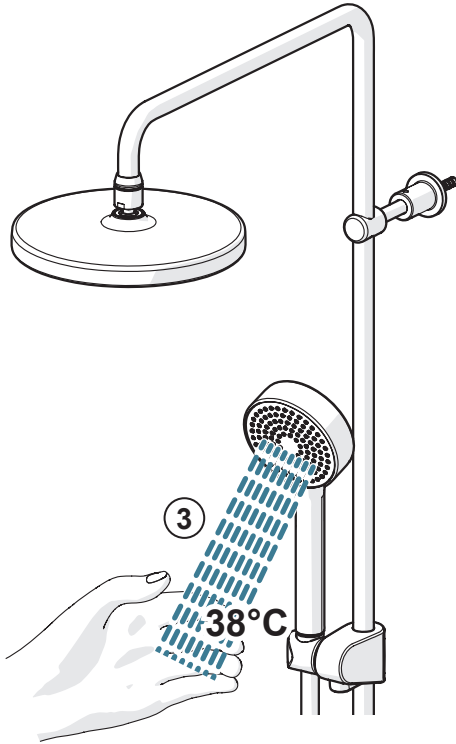
9



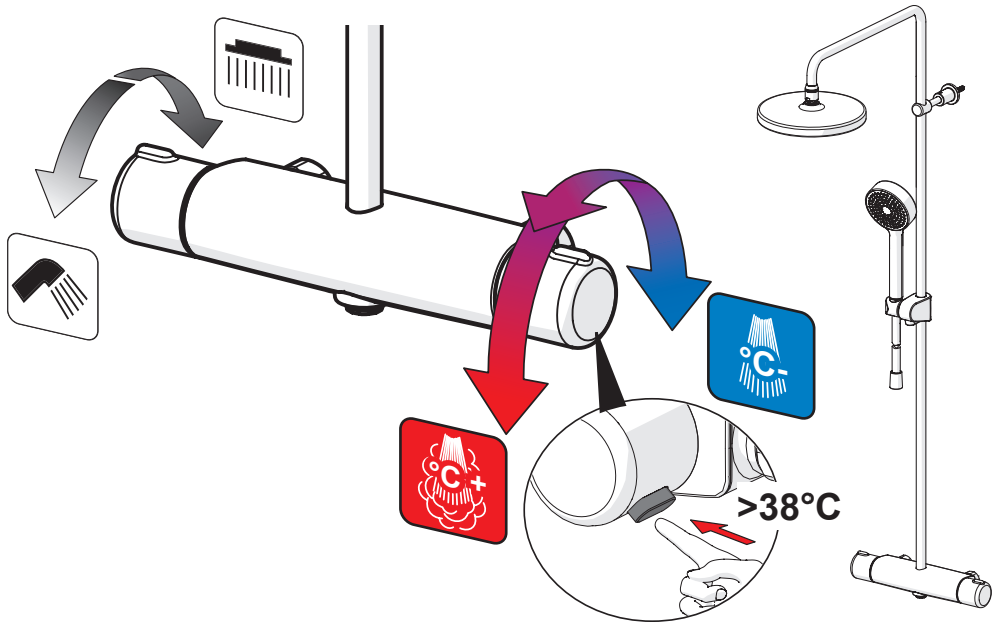
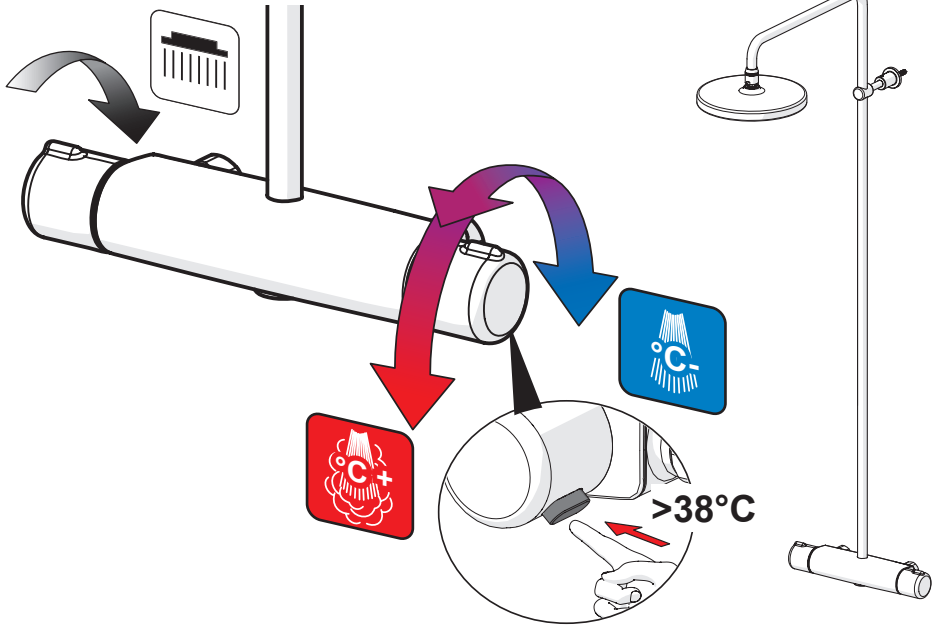
10

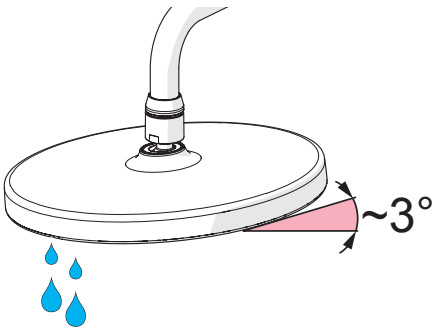
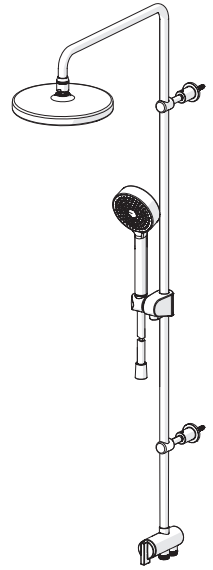
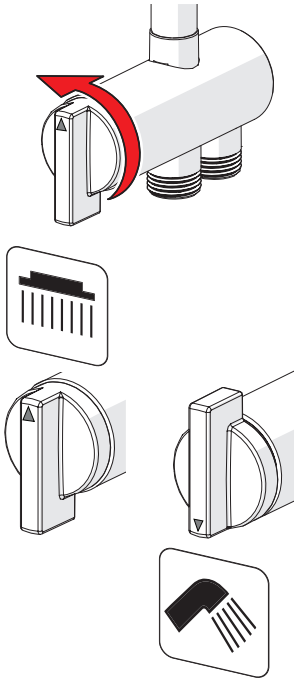


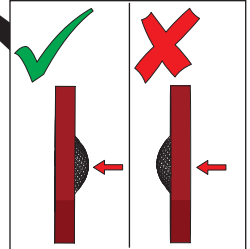
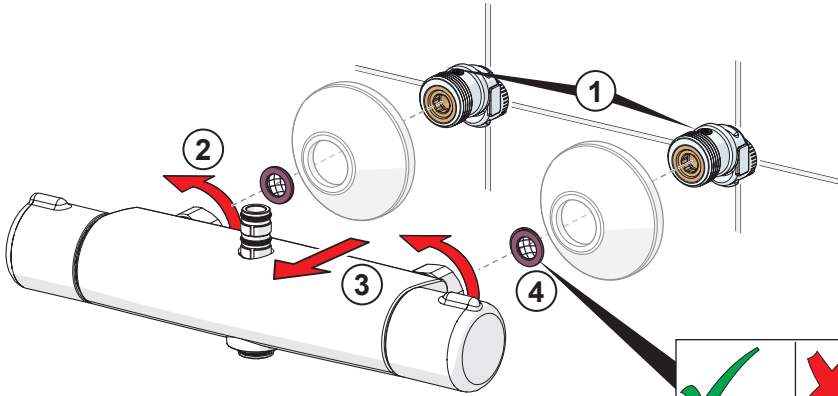
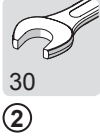
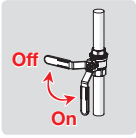
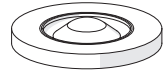


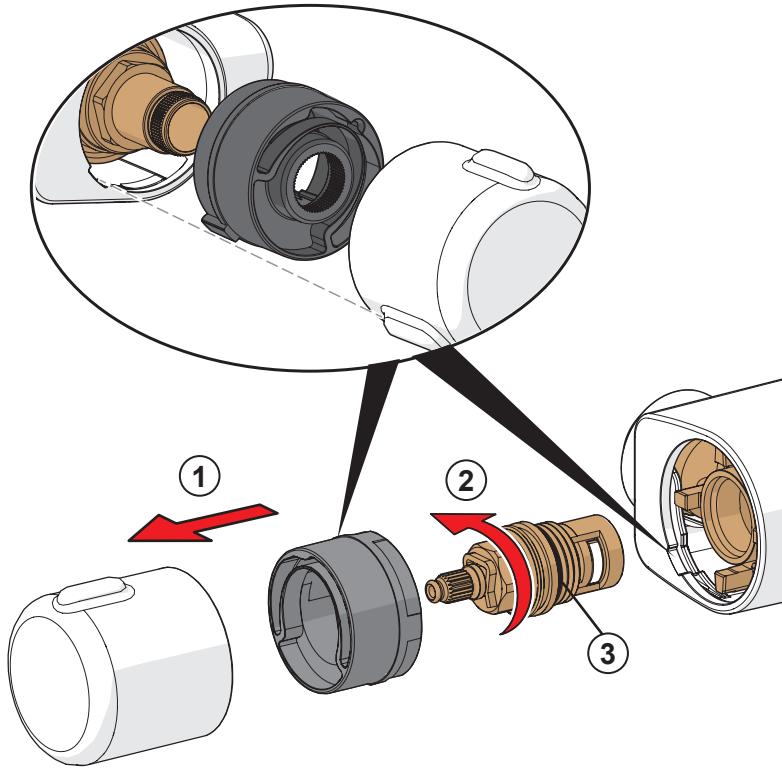
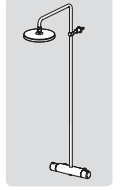
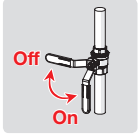


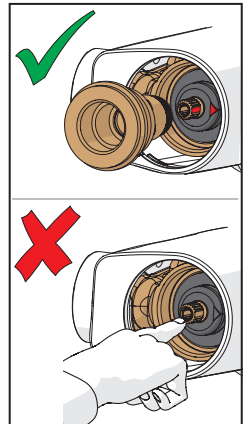
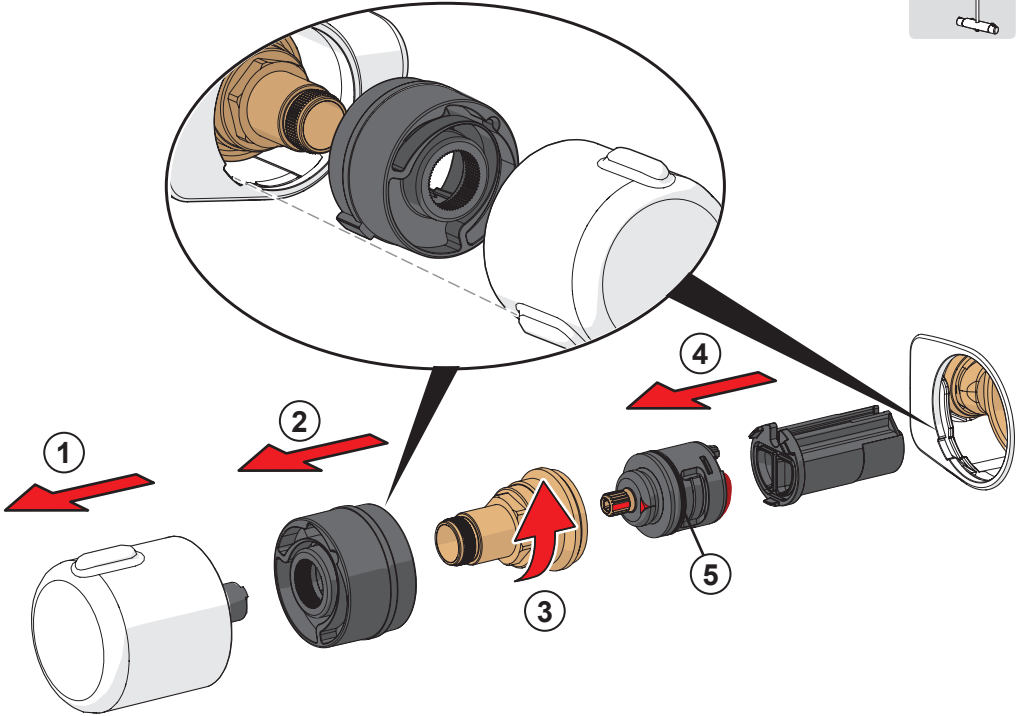
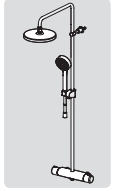
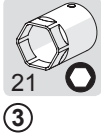
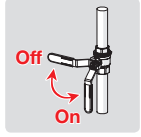
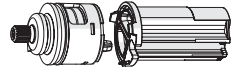


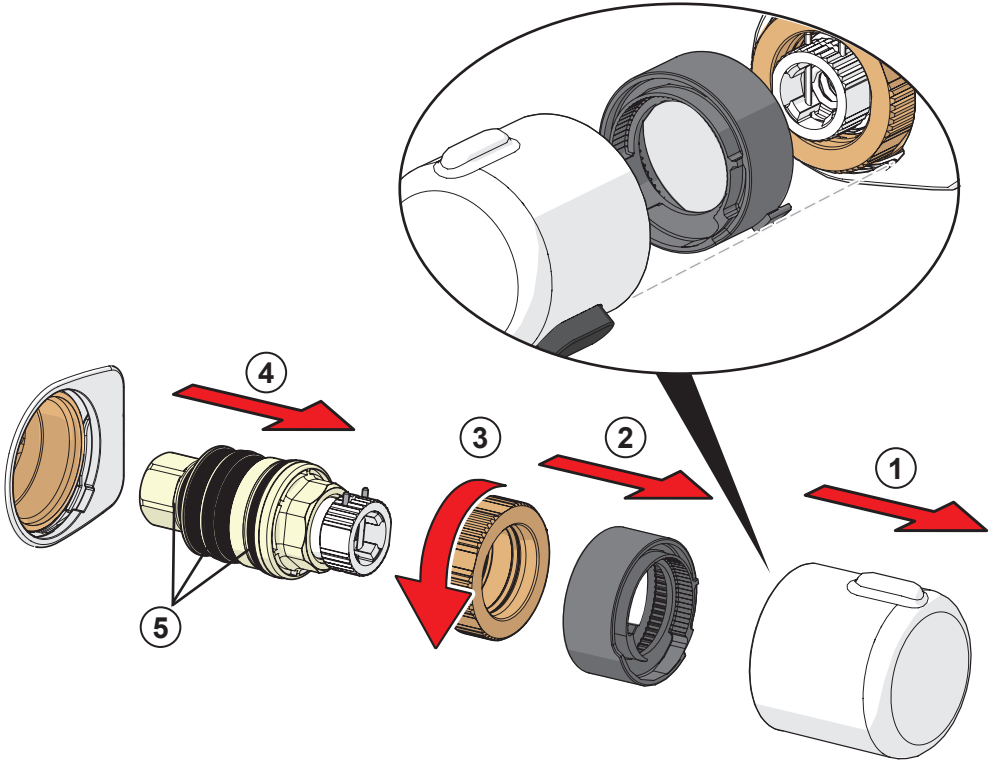
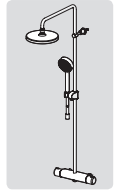
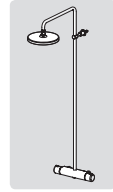
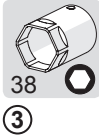
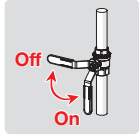


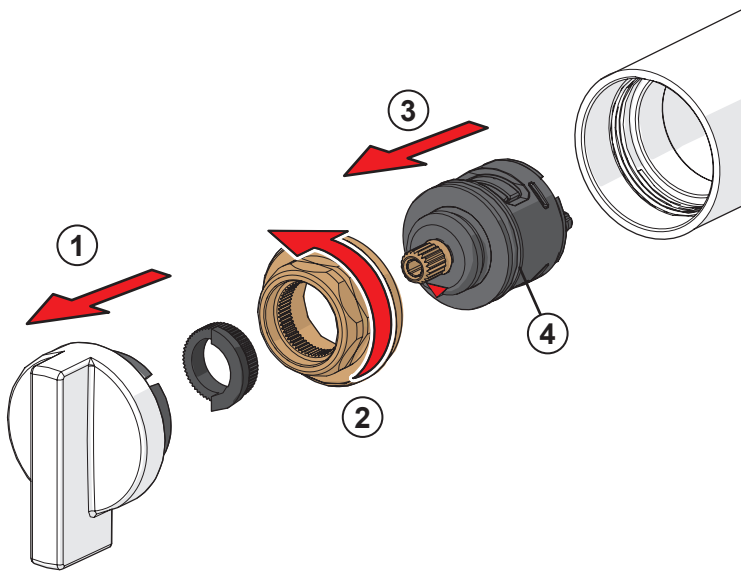
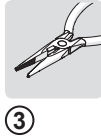
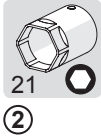
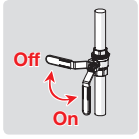


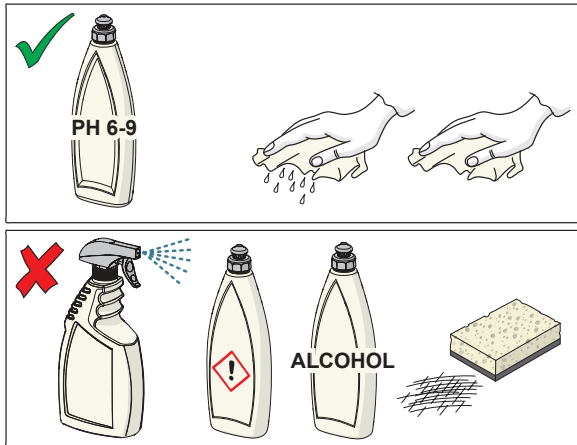
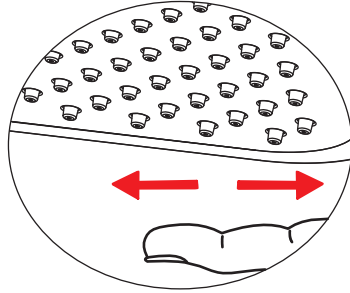










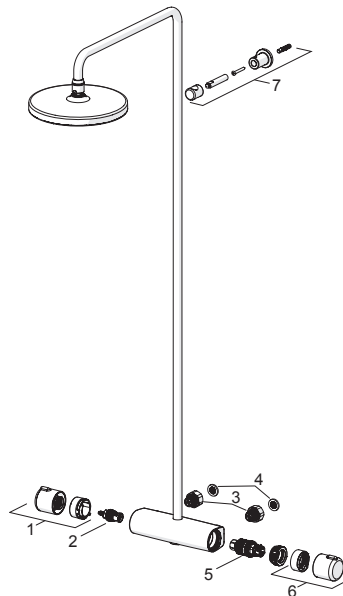


CLEANING.ORAS.COM



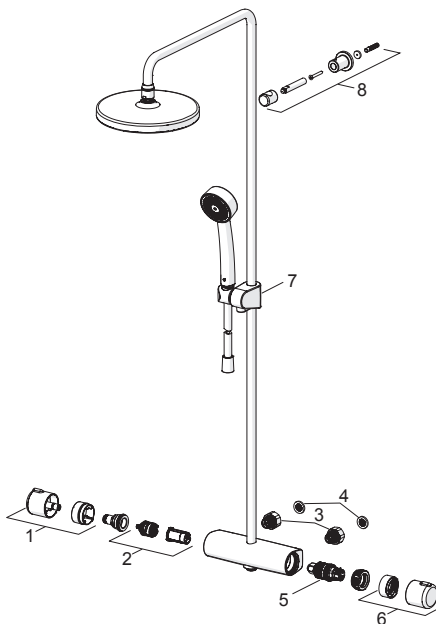
### 7400

- 1 602430V
- 2 109898
- 3 602438/2
- 4 178375V
- 5 178780V
- 6 602431V
- 7 1001314V



### 7401

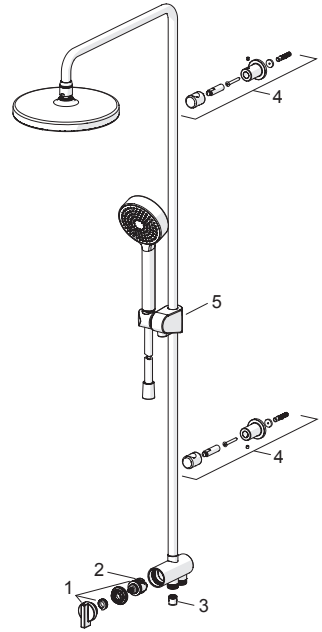
- 1 602452V
- 2 1006281V
- 3 602438/2
- 4 178375V
- 5 178780V
- 6 602431V
- 7 601189V
- 8 1001314V





**549**

- 1 601039V
- 2 198282V
- 3 105311
- 4 1001314V
- 5 601189V





Oras Group is a powerful European provider of sanitary fittings: the market leader in the Nordics and a leading company in Continental Europe. The company's mission is to make the use of water easy and sustainable and its vision is to become the European leader of advanced sanitary fittings. Oras Group has two strong brands, Oras and Hansa.

The head office of the Group is located in Rauma, Finland, and the Group has three manufacturing sites: Kralovice (Czech Republic), Olesno (Poland) and Rauma (Finland). Oras Group employs approximately 1400 people in twenty countries. Oras Group is owned by Oras Invest, a family company and an industrial owner.

ORAS GROUP  
Isometsäntie 2, P.O. Box 40  
FI-26101 Rauma  
Tel. +358 2 83 161  
Fax +358 2 831 6300  
info.finland@oras.com  
www.oras.com

