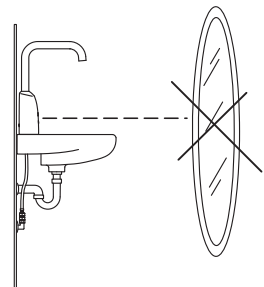
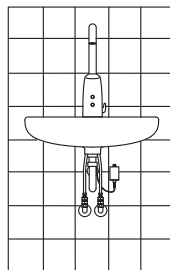
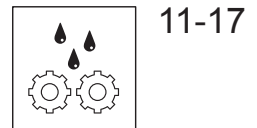
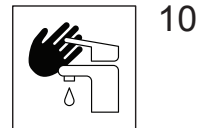
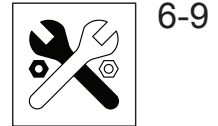




Oras Electra

INSTALLATION AND MAINTENANCE GUIDE





Apple and the Apple logo are trademarks of Apple Inc., registered in the U.S. and other countries. App Store is a service mark of Apple Inc., registered in the U.S. and other countries.

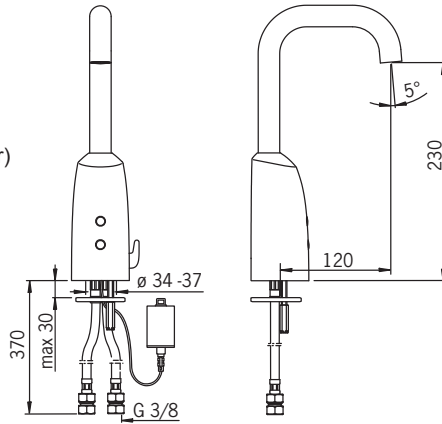
Google Play and the Google Play logo are trademarks of Google Inc.

The Bluetooth® word mark and logos are registered trademarks owned by the Bluetooth SIG, Inc. and any use of such marks by Oras Group is under license. Other trademarks and trade names are those of their respective owners.



6330FZ

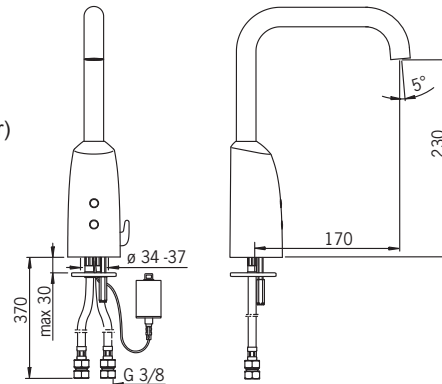
I (ISO 3822)
 EN 15091
 100 - 1000 kPa
 0.1 l/s (300 kPa) (with flow controller)
 200 kPa (0.1 l/s)
 max. +70°C



static.oras.com/6330FZ

6331FZ

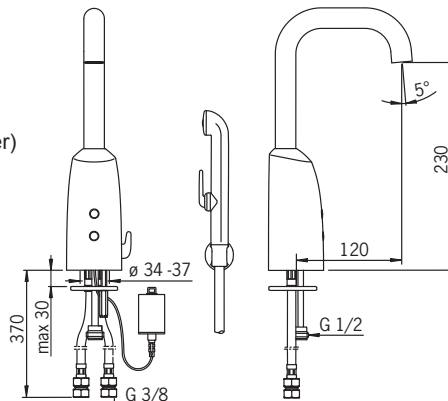
I (ISO 3822)
 EN 15091
 100 - 1000 kPa
 0.1 l/s (300 kPa) (with flow controller)
 200 kPa (0.1 l/s)
 max. +70°C



static.oras.com/6331FZ

6332FZ

I (ISO 3822)
 EN 15091
 100 - 1000 kPa
 0.1 l/s (300 kPa) (with flow controller)
 200 kPa (0.1 l/s)
 max. +70°C

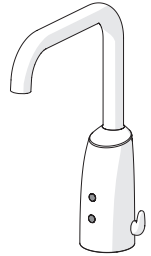
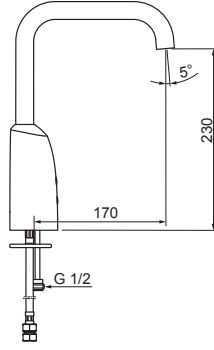
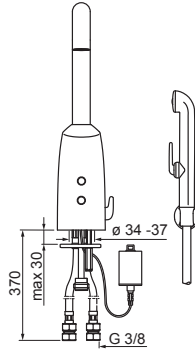


static.oras.com/6332FZ

6333FZ

I (ISO 3822)
 EN 15091
 100 - 1000 kPa
 0.1 l/s (300 kPa) (with flow controller)
 200 kPa (0.1 l/s)
 max. +70°C

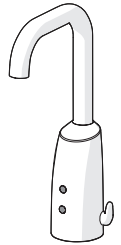
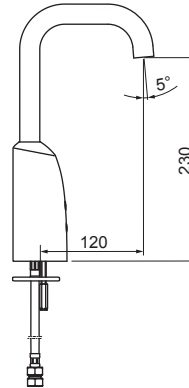
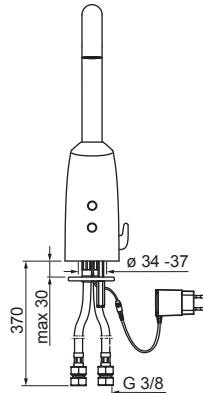
9/12 V



static.oras.com/6333FZ

6334FTZ

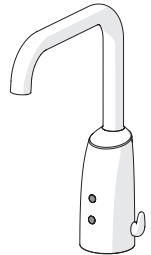
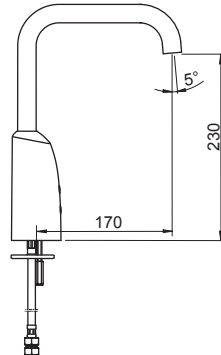
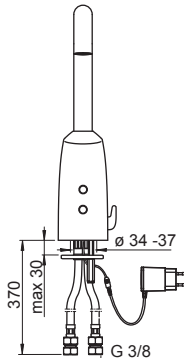
I (ISO 3822)
 EN 15091
 100 - 1000 kPa
 0.1 l/s (300 kPa) (with flow controller)
 200 kPa (0.1 l/s)
 max. +70°C



static.oras.com/6334FTZ

6335FTZ

I (ISO 3822)
 EN 15091
 100 - 1000 kPa
 0.1 l/s (300 kPa) (with flow controller)
 200 kPa (0.1 l/s)
 max. +70°C

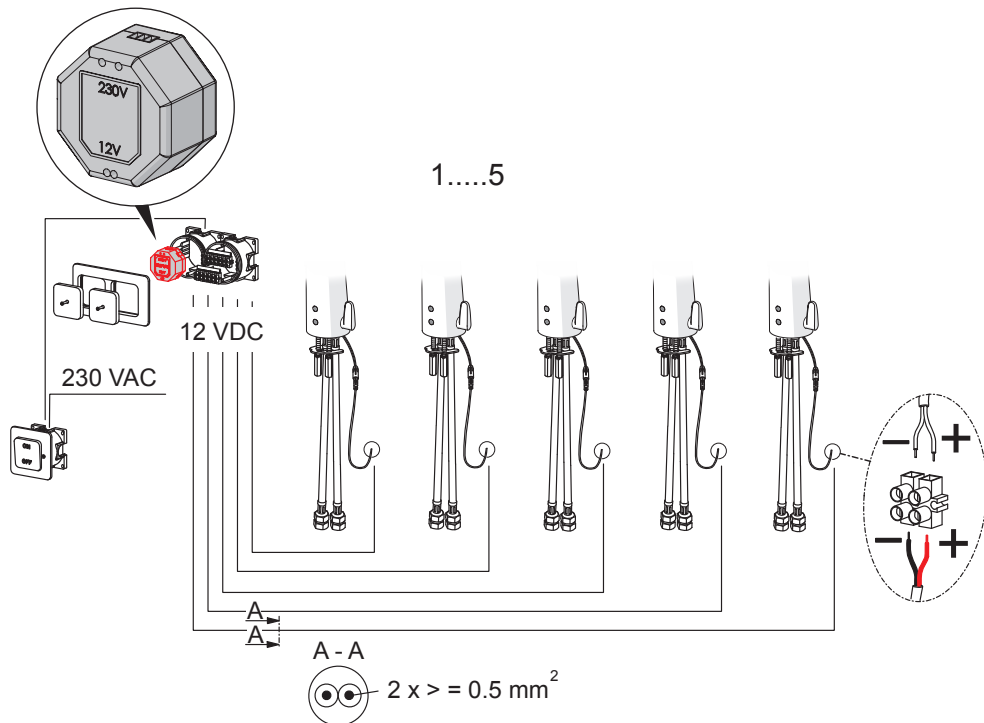


static.oras.com/6335FTZ

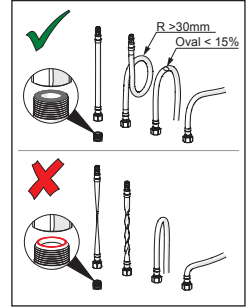
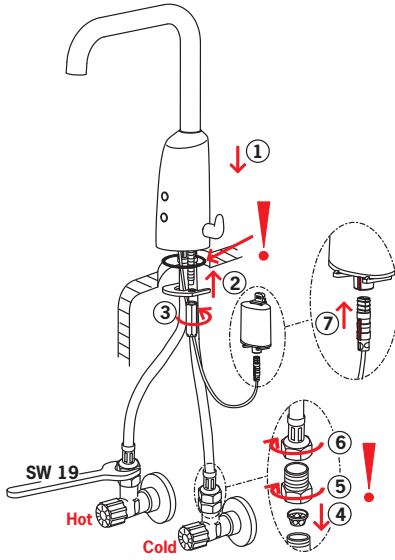


- GB** Power supply requirement: Power supply output must be short circuit protected
CZ Požadavky týkající se napájecího zdroje: Výstup napájecího zdroje musí být chráněn proti zkratu
DE Stromversorgungsvoraussetzungen: Stromversorgungsspannung muss kurzschlussgeschützt sein.
DK Krav til strømforsyning: Strømforsyningsudgang skal være kortslutningsbeskyttet
EE Nõuded vooluallikale: Vooluallika väljund peab olema kaitsitud lühise eest
ES Requisitos del suministro eléctrico: el suministro eléctrico debe estar protegido contra cortocircuitos
FI Vaatimukset virtälähteelle: Virtälähteen ulostulon tulee olla oikosulkusuojattu
FR Unité d'alimentation électrique: La sortie de l'unité d'alimentation doit être protégée contre le court-circuit
IT Requisiti dell'alimentazione: L'uscita deve essere protetta da cortocircuito
LT Reikalavimai maitinimo šaltiniui: turi būti apsauga nuo trumpo jungimo
LV Prasības attiecībā uz barošanas ierīci: ierīces izvadām jābūt aizsargātām pret īsslēgumiem
NL Vereisten voor de voeding: De uitgang van de voeding moet beschermd zijn tegen kortsluitingen
NO Krav til strømforsyning: Strømforsyningsspennning må være kortslutningssikret
PL Wymagania w stosunku do zasilacza: Zasilacz musi być wyposażony w zabezpieczenie przeciwzwarciowe
RO Pentru alimentarea cu putere: borna de putere trebuie să fie protejată la scurtcircuit
RU Требования к источнику тока: Выход источника тока защищен от короткого замыкания
SE Krav på matningsdon: Utspänningen skall vara kortslutningssäker
SK Požiadavka na napájanie: Výstup napájania musí byť chránený voči skratu.
UA Вимоги до джерела струму: Вихід джерела струму захищений від короткого замикання.
PT Requisitos de alimentação eléctrica: a alimentação eléctrica deve estar protegida contra curto-circuito.
GR Προϋποθέσεις για ασφάλειστη παροχή ρεύματος: Τάση εξόδου ασφαλισμένη έναντι βραχυκυκλώματος
SI Zahteva za napajanje: Izhod za napajanje mora biti zaščiten s kratkim stikom
HU Áramellátás: A tápegység kimeneténél fontos az érintésvédelmet biztosítani.

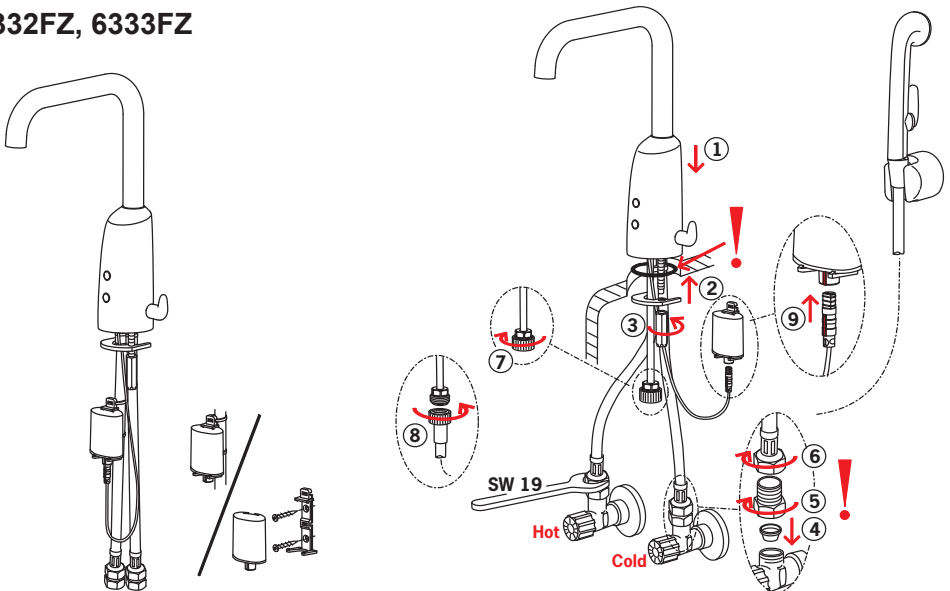
Oras 199275



6330FZ, 6331FZ

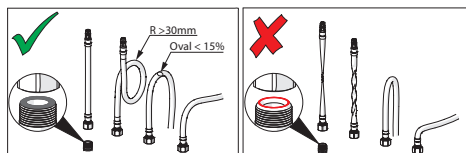
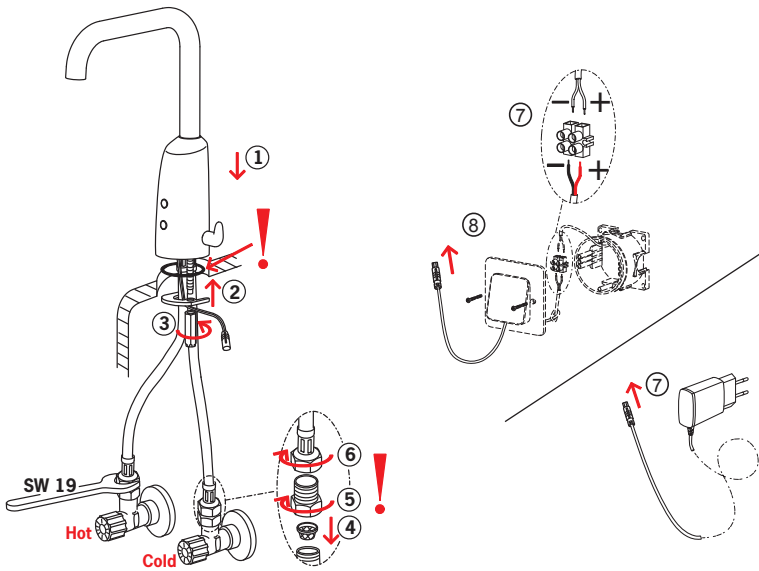


6332FZ, 6333FZ

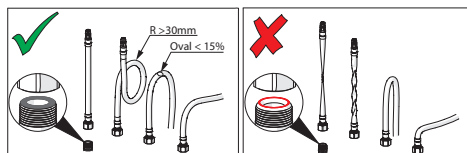
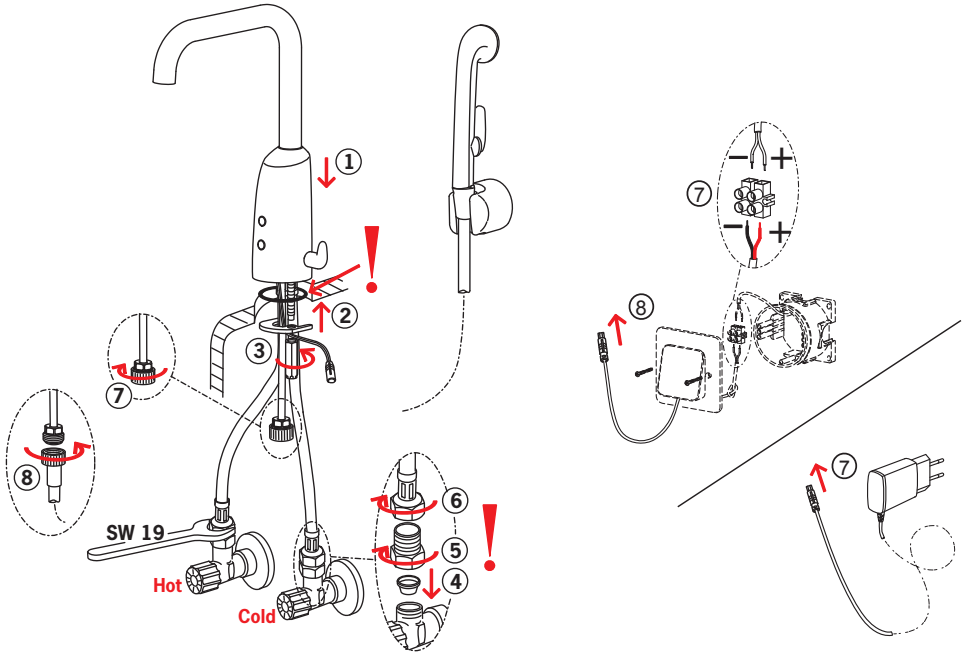




6334FTZ, 6335FTZ



6336FTZ, 6337FTZ



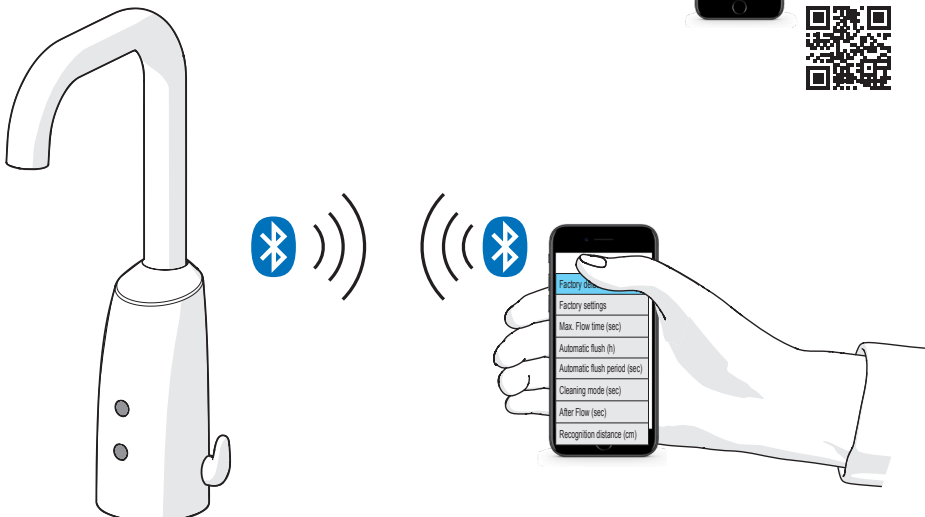
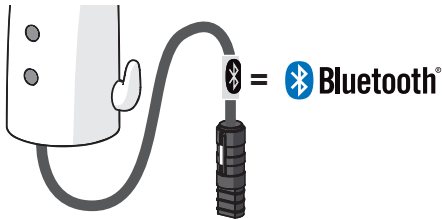
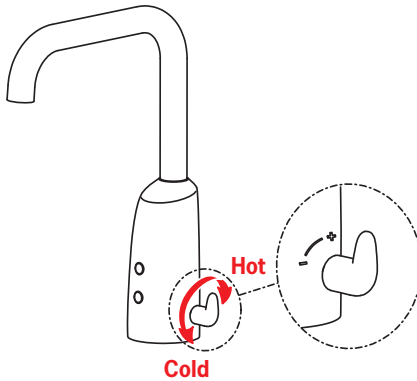


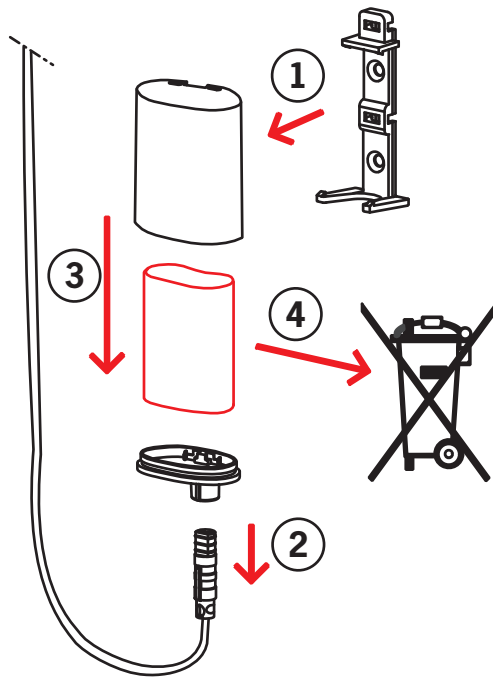
6330FZ, 6331FZ, 6334FTZ,
6335FTZ

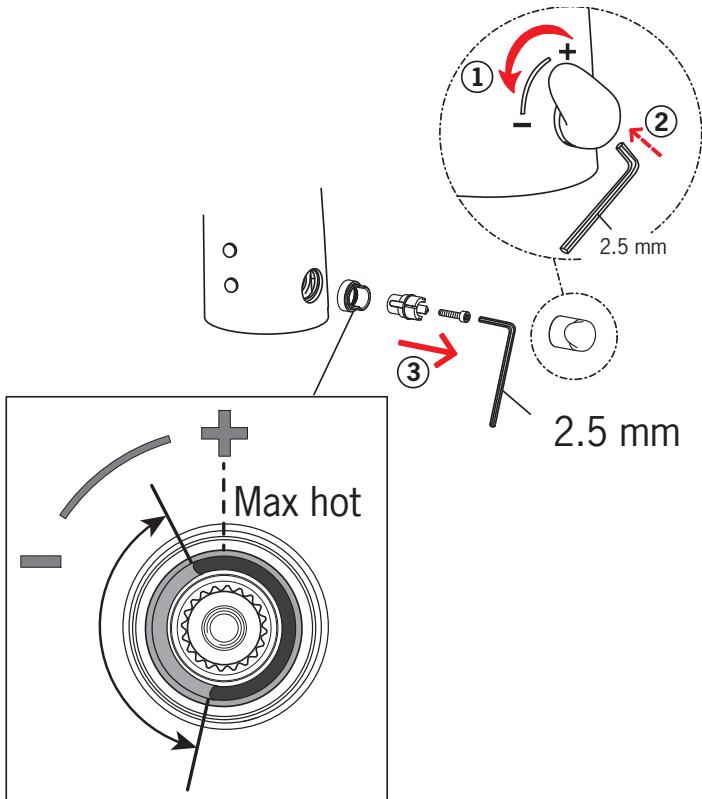
AUTOMATIC

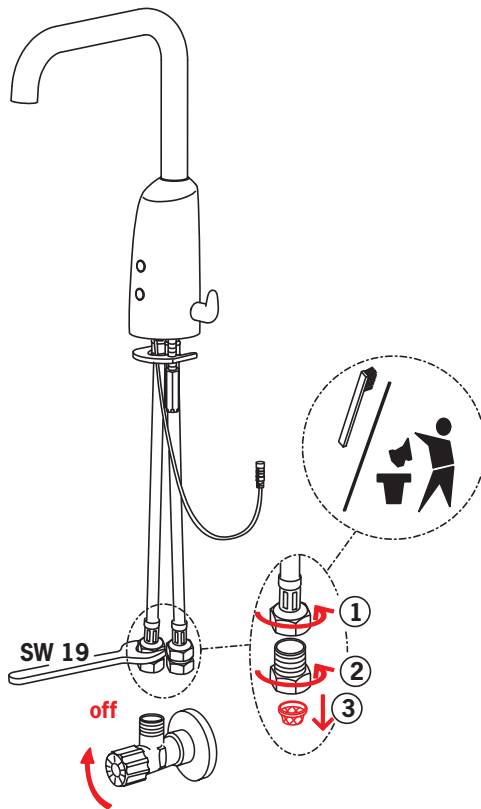
2 s ± 1 s

max. 2 min



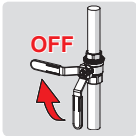




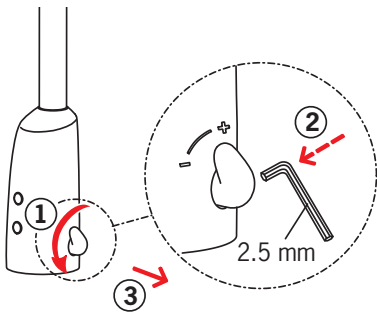




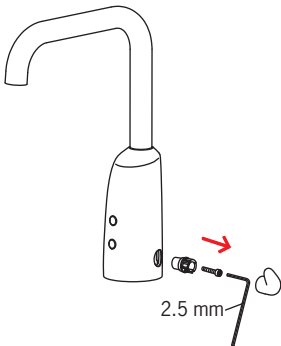
1



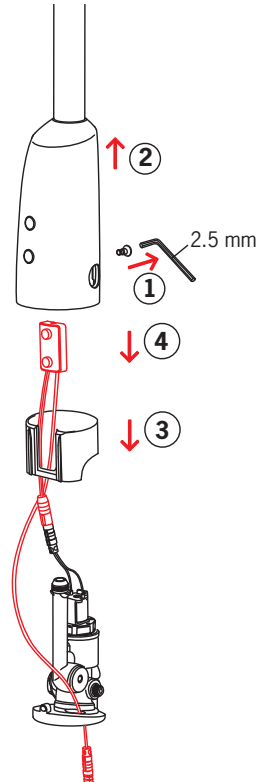
2



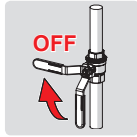
3



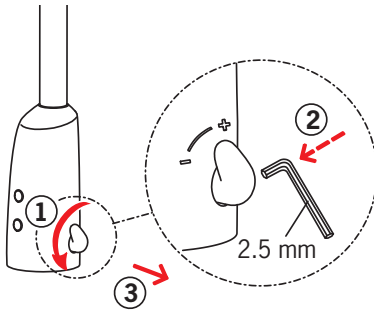
4



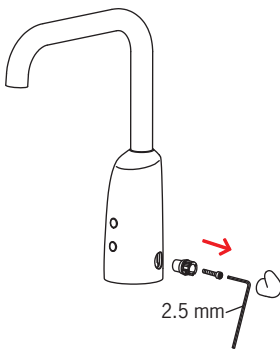
1



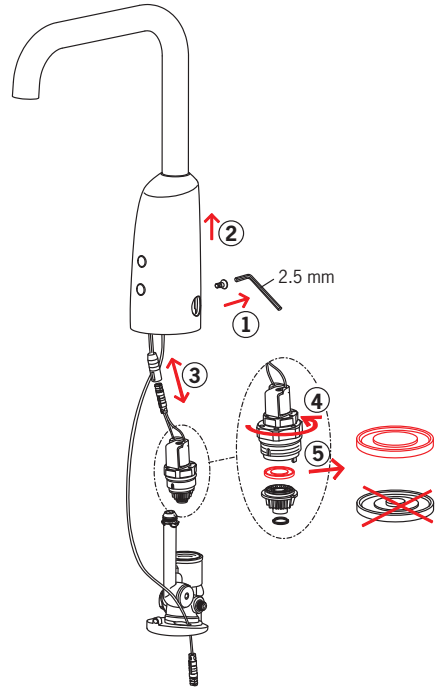
2



3

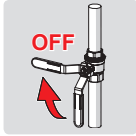


4

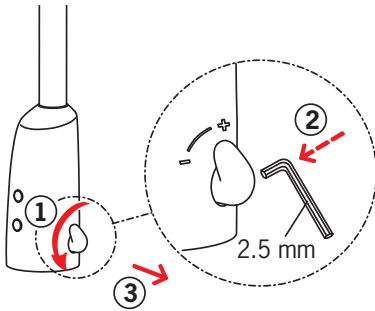




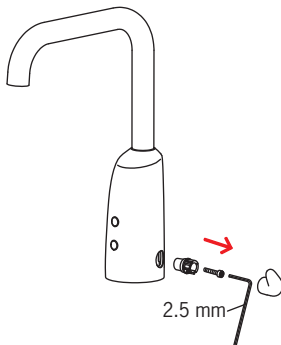
1



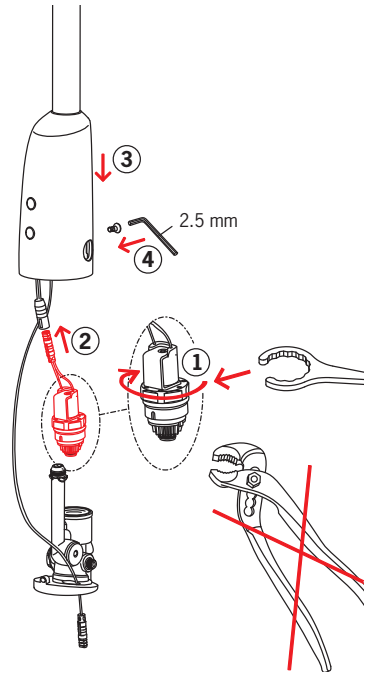
2



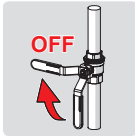
3



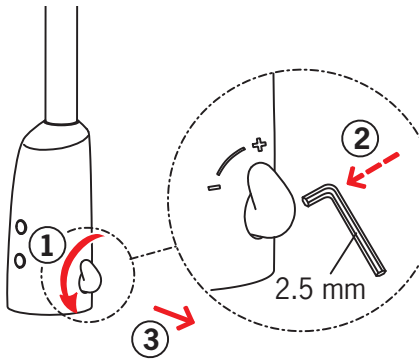
4



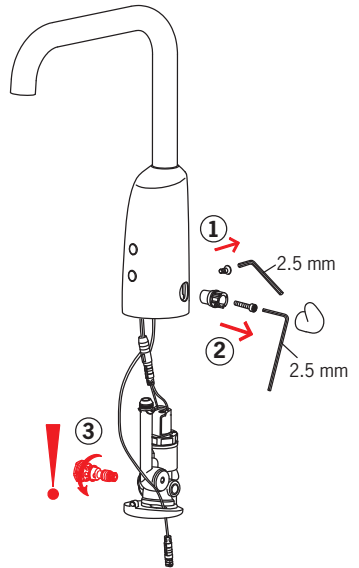
1

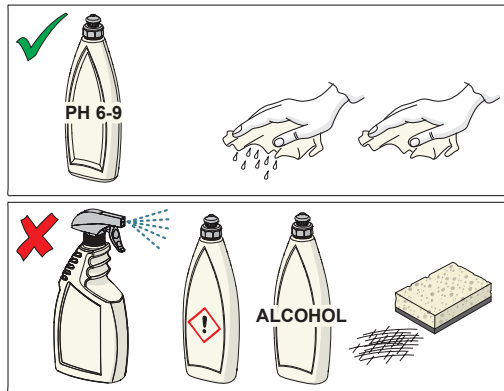


2



3





CLEANING.ORAS.COM

Oras Group is a powerful European provider of sanitary fittings: the market leader in the Nordics and a leading company in Continental Europe. The company's mission is to make the use of water easy and sustainable and its vision is to become the European leader of advanced sanitary fittings. Oras Group has two strong brands, Oras and Hansa.

The head office of the Group is located in Rauma, Finland, and the Group has three manufacturing sites: Kralovice (Czech Republic), Olesno (Poland) and Rauma (Finland). Oras Group employs approximately 1400 people in twenty countries. Oras Group is owned by Oras Invest, a family company and an industrial owner.

ORAS LTD
Isometsäntie 2, P.O. Box 40
FI-26101 Rauma
Tel. +358 2 83 161
Fax +358 2 831 6300
info.finland@oras.com
www.oras.com

