



# Oras Clinica

INSTALLATION AND MAINTENANCE GUIDE







Oras App



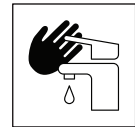
[apps.oras.com](https://apps.oras.com)



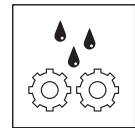
4



5-7



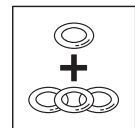
8-10



11-15



16



17

Apple and the Apple logo are trademarks of Apple Inc., registered in the U.S. and other countries. App Store is a service mark of Apple Inc., registered in the U.S. and other countries.

Google Play and the Google Play logo are trademarks of Google Inc.

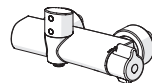
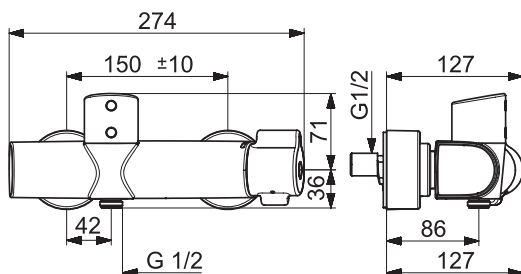
The Bluetooth® word mark and logos are registered trademarks owned by the Bluetooth SIG, Inc. and any use of such marks by Oras Group is under license. Other trademarks and trade names are those of their respective owners.



## 5670U

I (ISO 3822)  
 EN 1111 , EN 15091  
 100 - 1000 kPa  
 0.2 l/s (300 kPa)  
 max. +70°C

IP 55  
 Lithium 2CR5 6 V



(EMC 2014/30/EU)

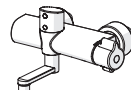
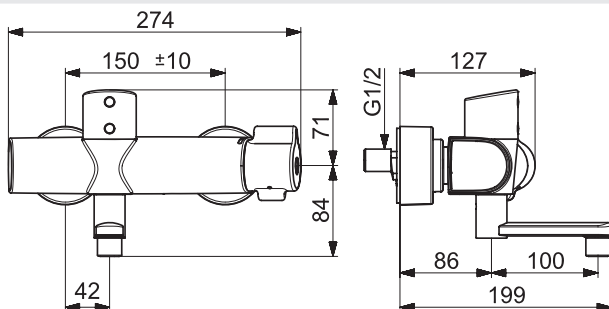


[static.oras.com/5670U](http://static.oras.com/5670U)

## 5671U

I (ISO 3822)  
 EN 1111 , EN 15091  
 100 - 1000 kPa  
 0.16 l/s (300 kPa)  
 max. +70°C

IP 55  
 Lithium 2CR5 6 V



(EMC 2014/30/EU)

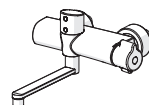
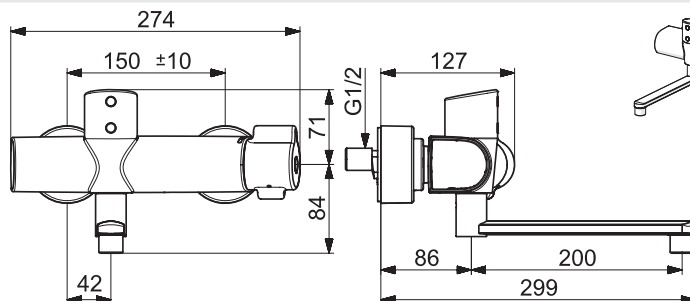


[static.oras.com/5671U](http://static.oras.com/5671U)

## 5672U

I (ISO 3822)  
 EN 1111 , EN 15091  
 100 - 1000 kPa  
 0.16 l/s (300 kPa)  
 max. +70°C

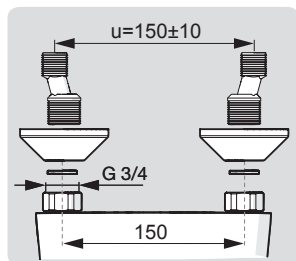
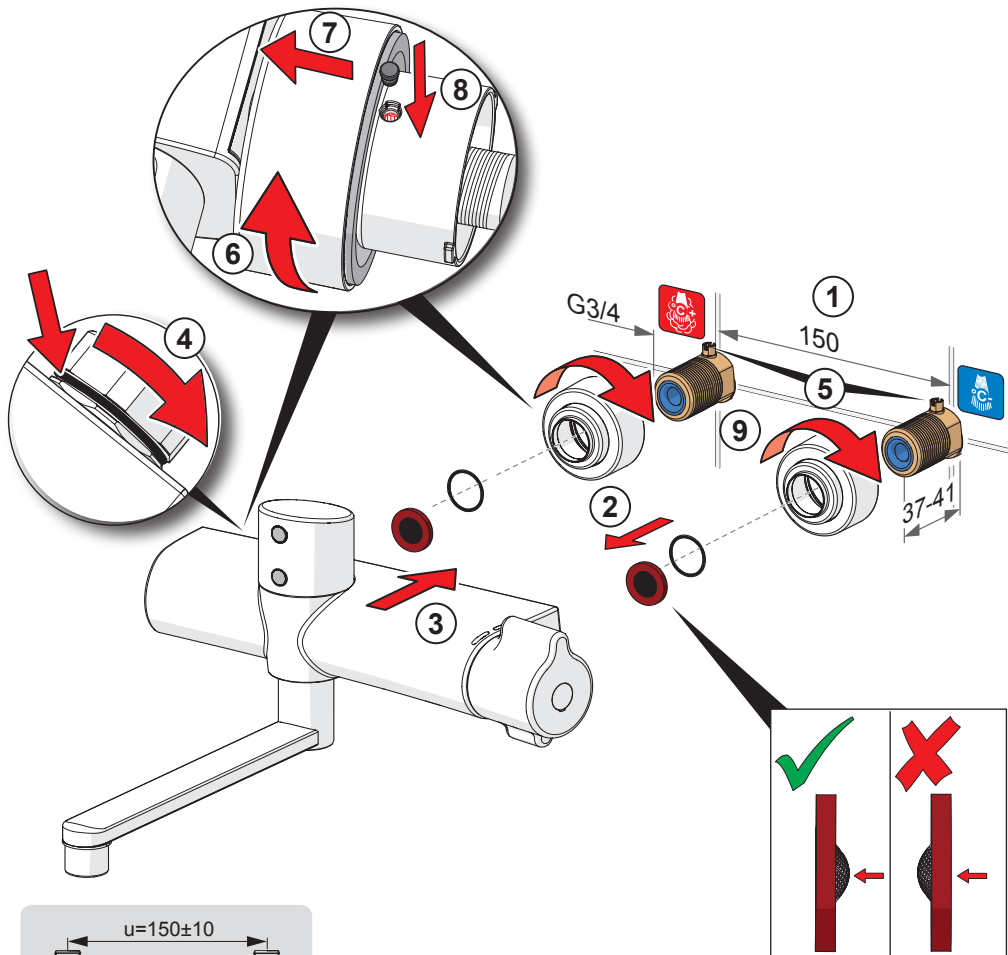
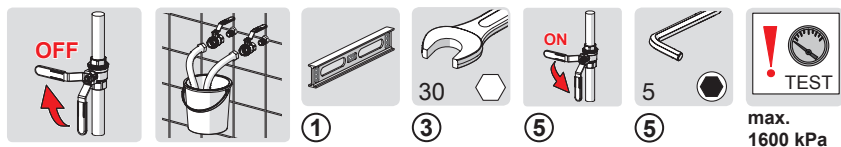
IP 55  
 Lithium 2CR5 6 V

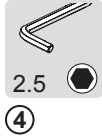
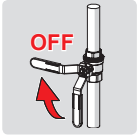


(EMC 2014/30/EU)



[static.oras.com/5672U](http://static.oras.com/5672U)

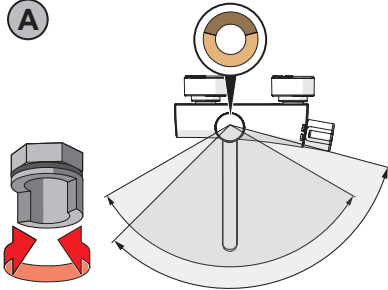




1 C 1

4

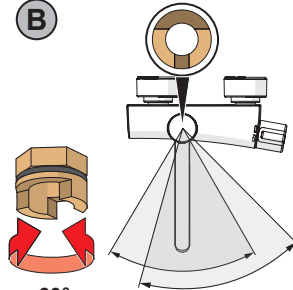
A



120°

602499V

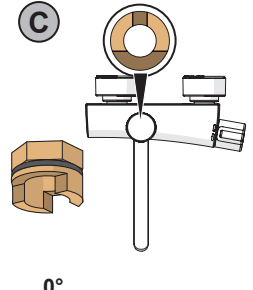
B



60°

159667/10

C



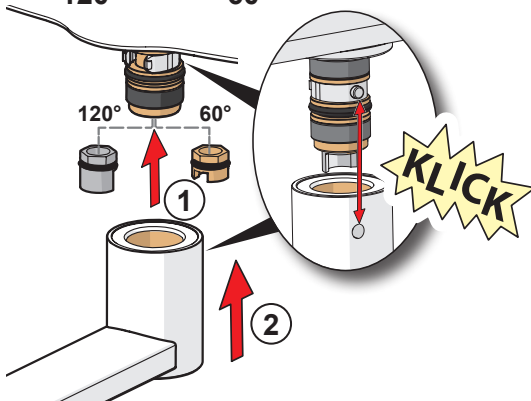
0°

159667/10

1 A B

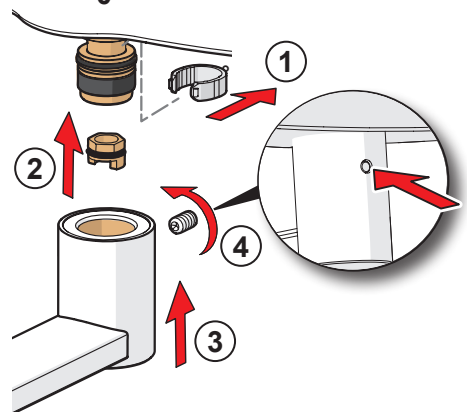
120°

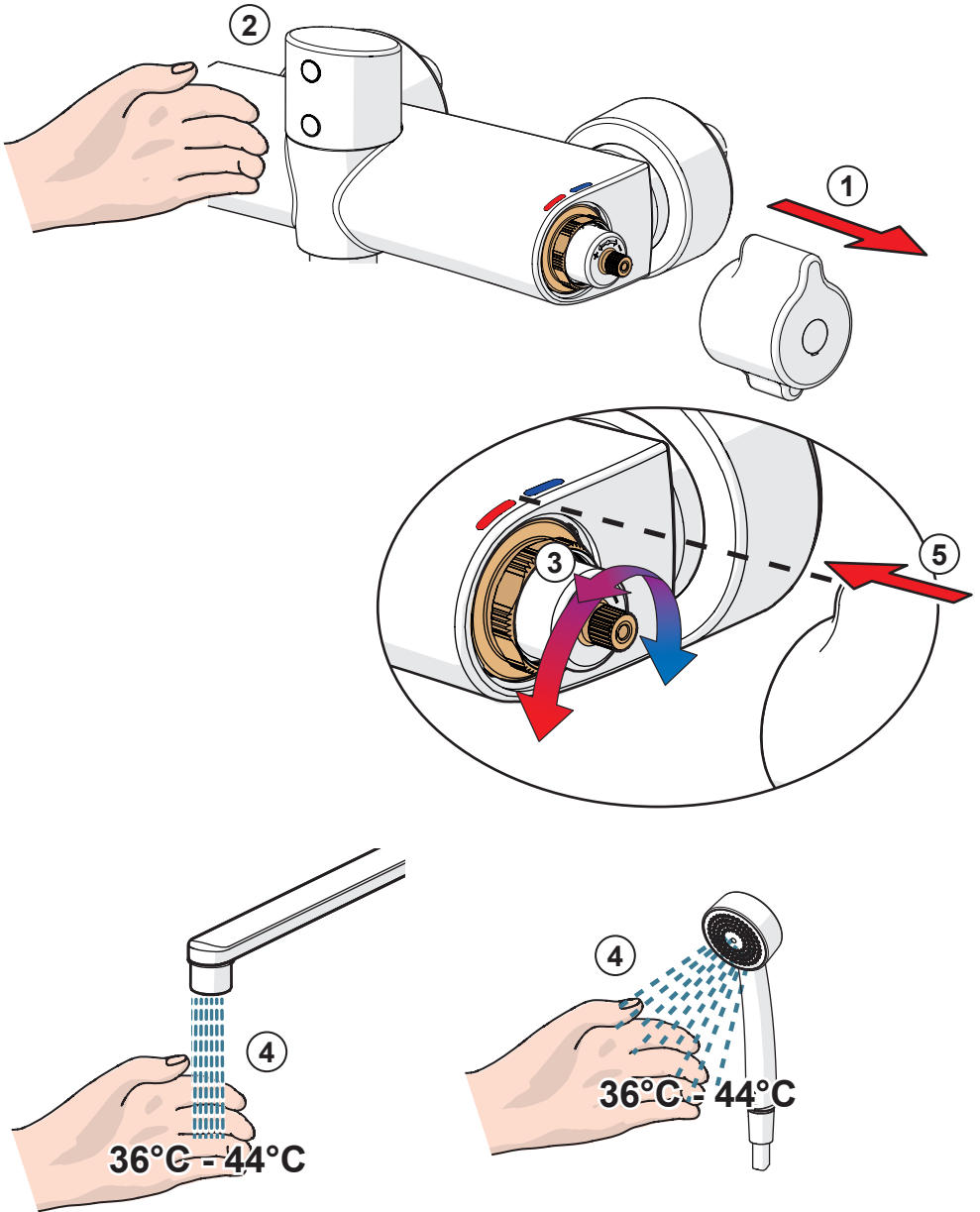
60°



1 C

0°



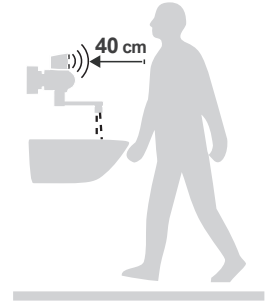
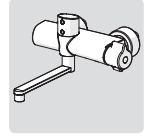
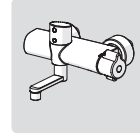
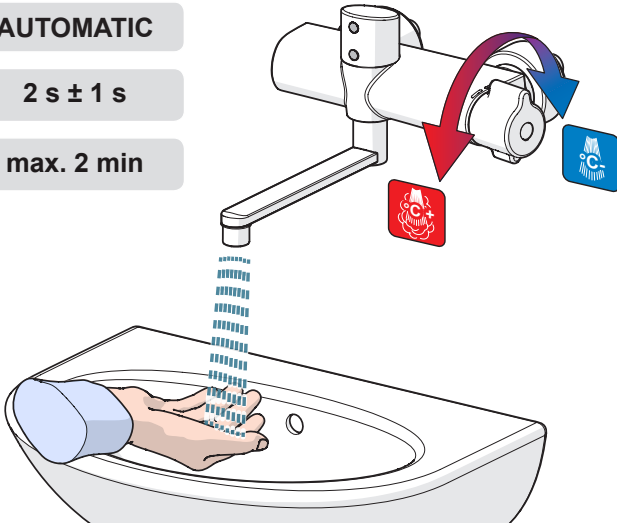




**AUTOMATIC**

**2 s ± 1 s**

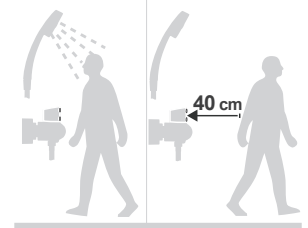
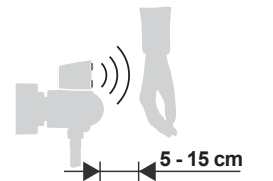
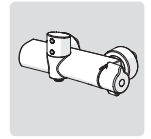
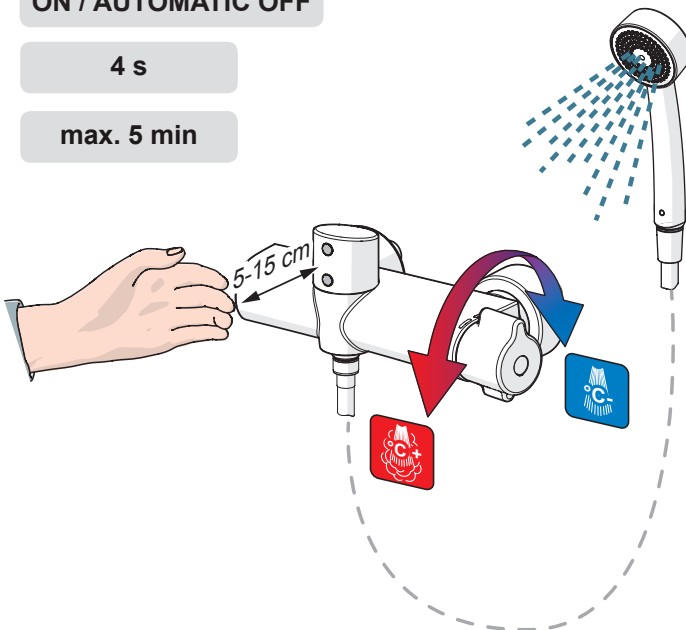
**max. 2 min**



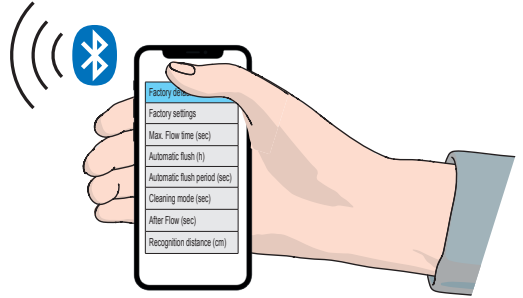
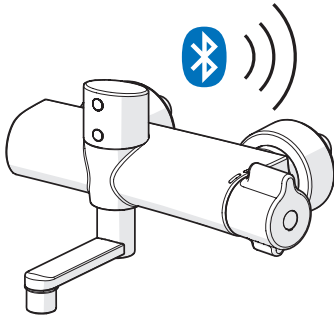
**ON / AUTOMATIC OFF**

**4 s**

**max. 5 min**





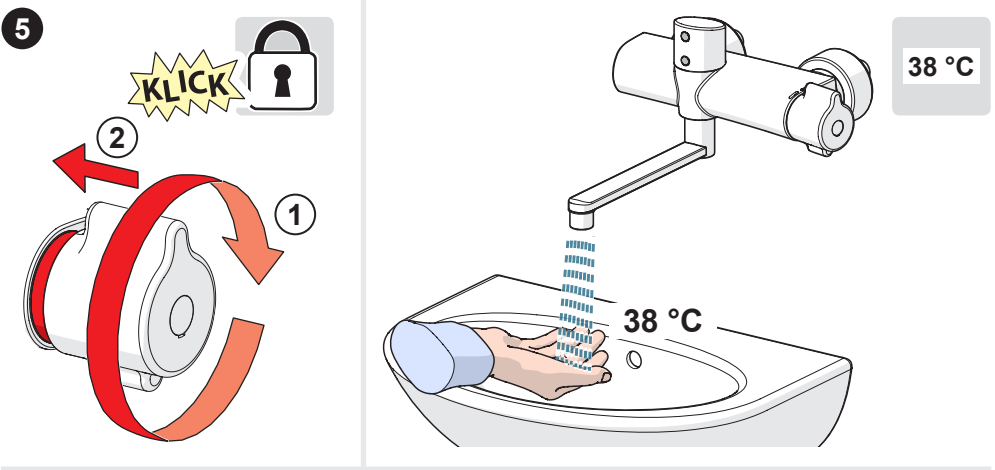
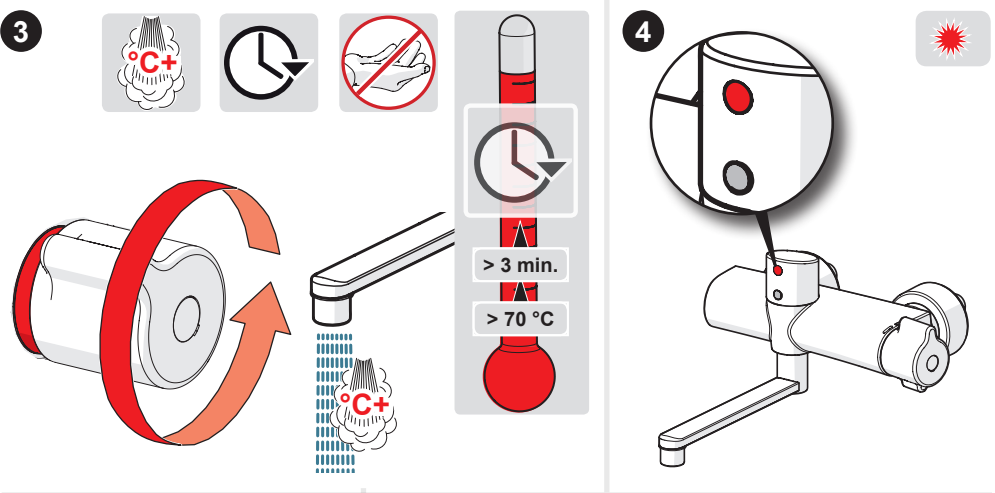
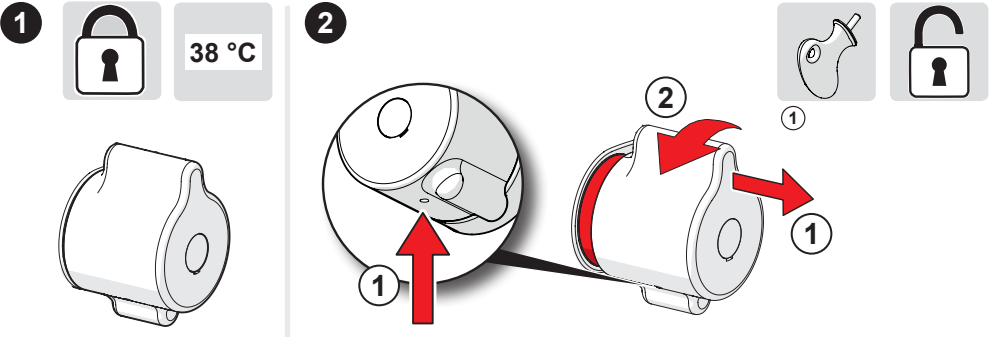


Oras App



[apps.oras.com](https://apps.oras.com)



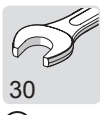




②



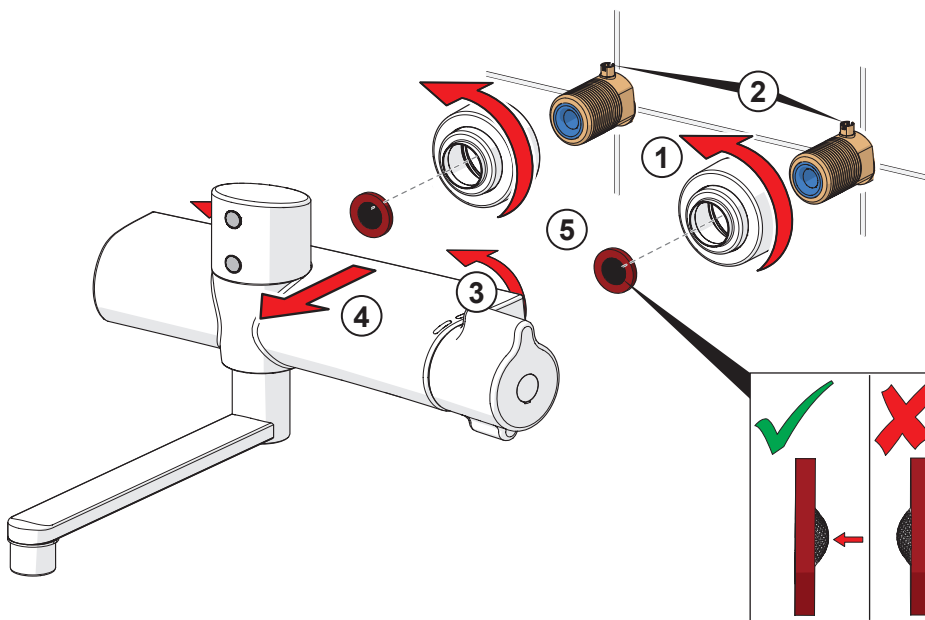
②

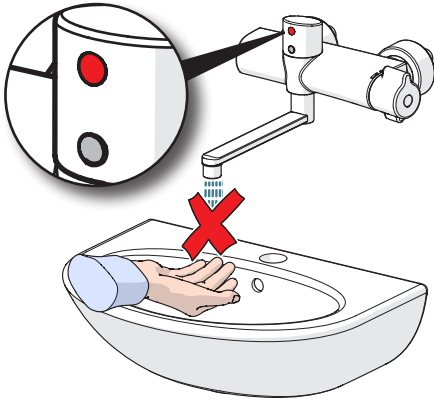


③

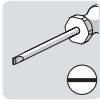
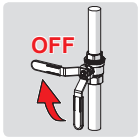


⑤

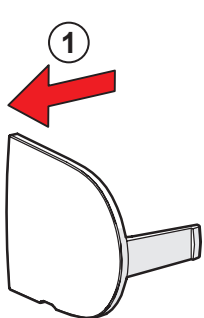
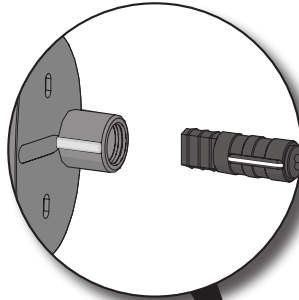




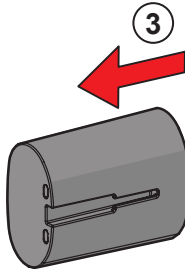
Lithium 2CR5 6V



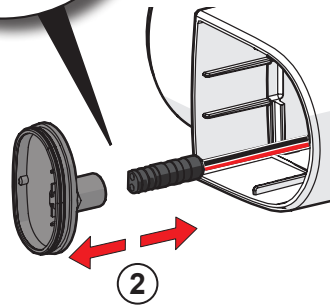
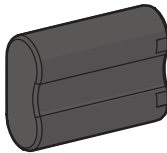
①



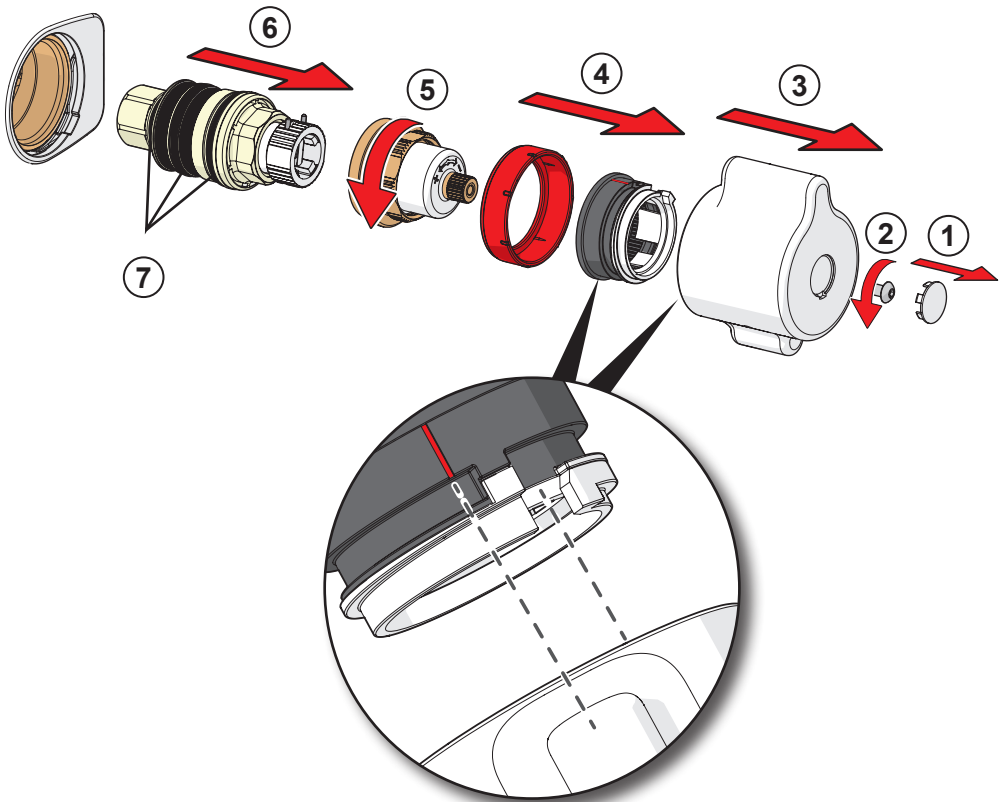
①

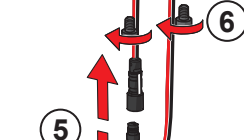
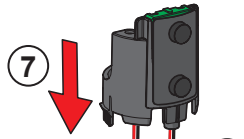
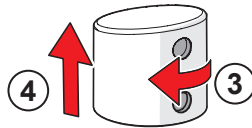
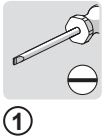
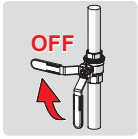


③



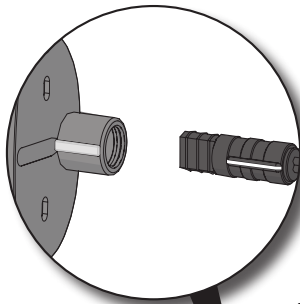
②



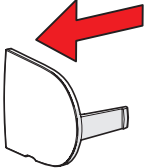


5

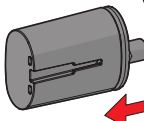
6

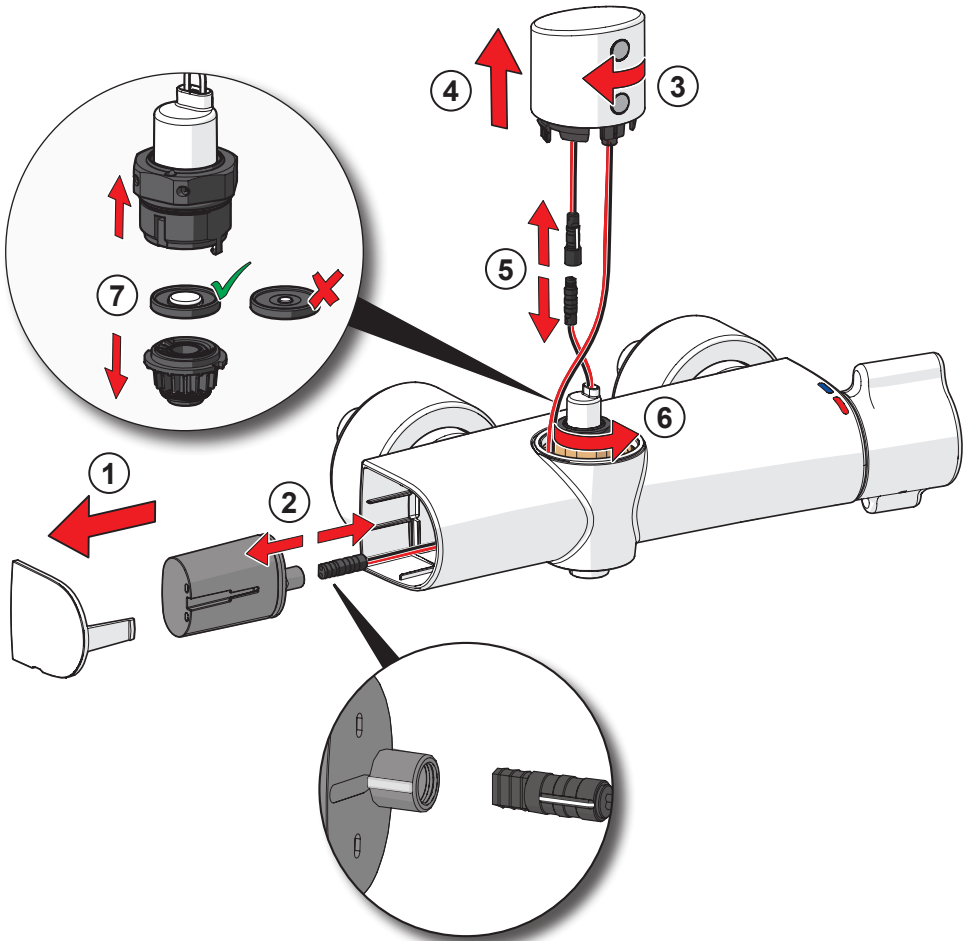
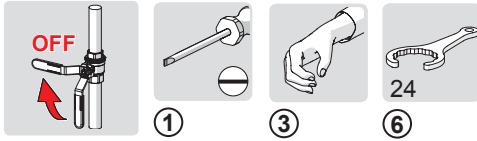


1



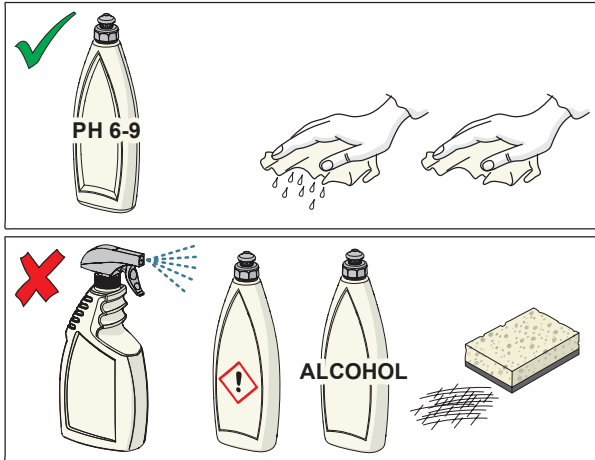
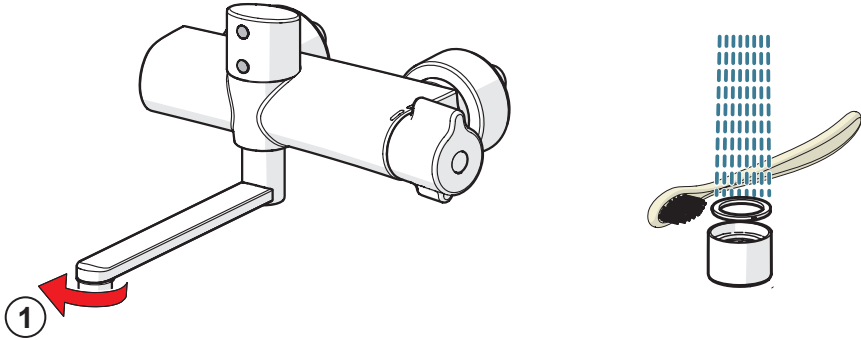
2







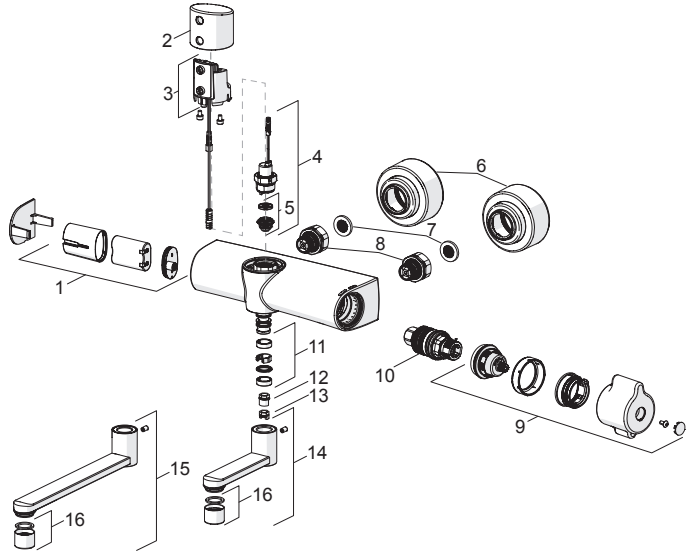
①





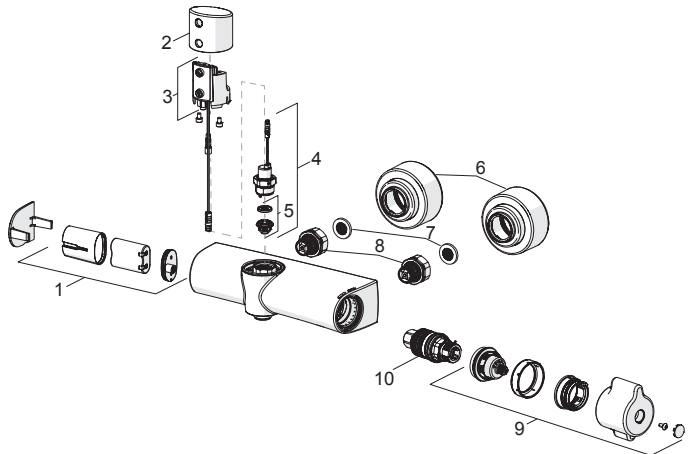
### 5672U , 5671U

- 1 199438V
- 2 1006102V
- 3 1006929V
- 4 1006792V
- 5 199240V
- 6 1006473V
- 7 178375V
- 8 602438/2
- 9 1006058V
- 10 178780V
- 11 602707V
- 12 159667V 60°/0°
- 13 602499V 120°
- 14 1001456V L=100
- 15 1001457V L=200
- 16 1003610V



### 5670U

- 1 199438V
- 2 1006102V
- 3 1008025V
- 4 1006792V
- 5 199240V
- 6 1006473V
- 7 178375V
- 8 602438/2
- 9 1006058V
- 10 178780V







Oras Group is a powerful European provider of sanitary fittings: the market leader in the Nordics and a leading company in Continental Europe. The company's mission is to make the use of water easy and sustainable and its vision is to become the European leader of advanced sanitary fittings. Oras Group has two strong brands: Oras and Hansa.

The Group's head office is located in Rauma, Finland, and the Group has three manufacturing sites: Kralovice (Czech Republic), Olesno (Poland) and Rauma (Finland). Oras Group employs approximately 1,200 people in twenty countries. Oras Group is owned by Oras Invest, a family company and an industrial owner.

ORAS GROUP  
Isometsäntie 2, P.O. Box 40  
FI-26101 Rauma  
Tel. +358 2 83 161  
Fax +358 2 831 6300  
info.finland@oras.com  
www.oras.com

