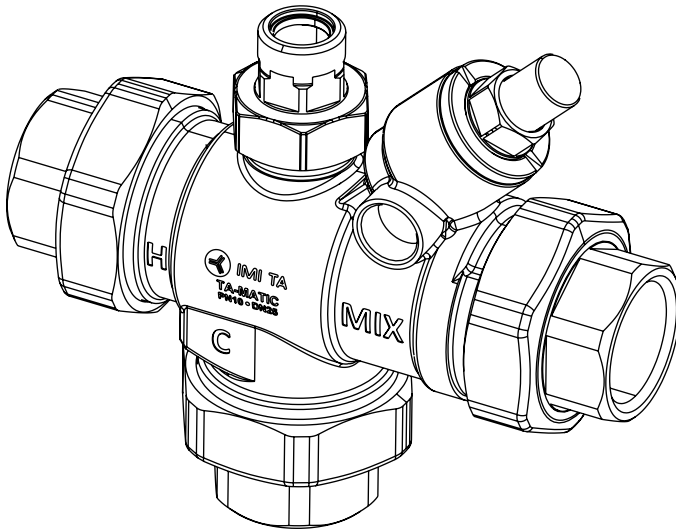


TA-MATIC



DN 20-50 (size 3/4" - 2")

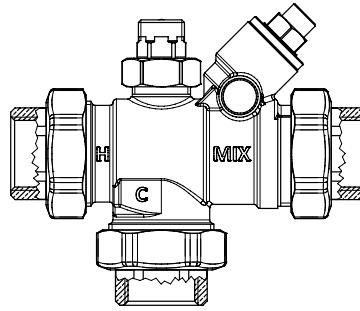
PN 10 (145 psi)

Max. dynamic pressure: 500 kPa (72.5 psi)

Max. inlet pressure ratio (H/C or C/H): 2:1

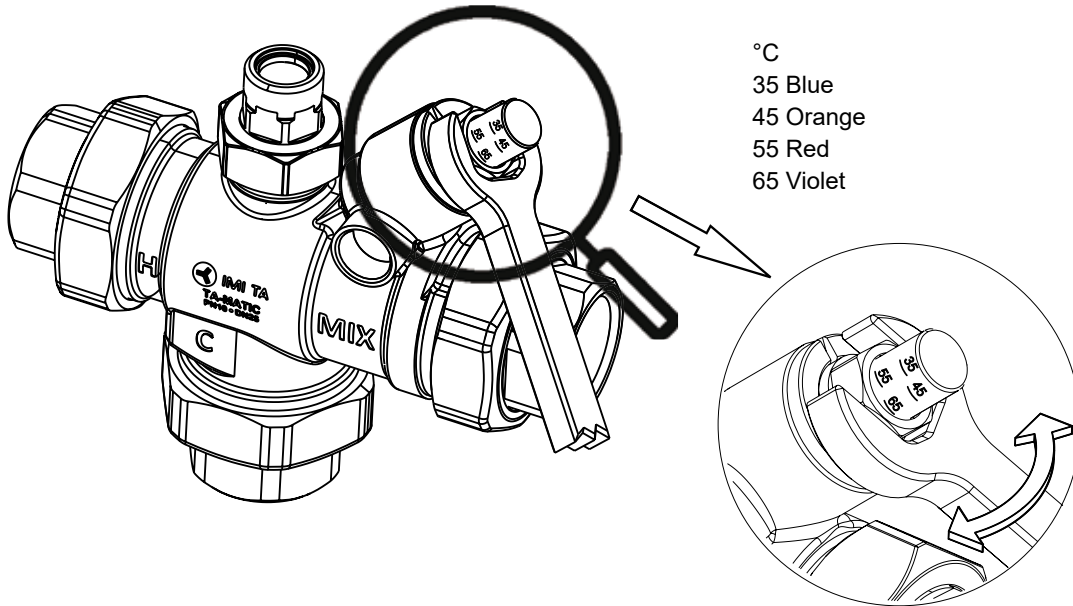
Min. Δt between inlets and outlet: 10°C (50°F)

Max. +90°C
(+194°F)



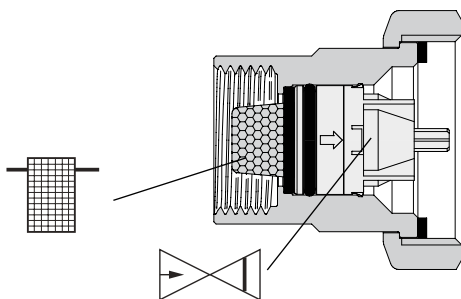
35-65°C
(95-149°F)

55°C
(131°F)



°C
35 Blue
45 Orange
55 Red
65 Violet

Optional accessory



DN	Article No
20	359010-10568
25	359010-10606
32	359010-10722
40	359010-10803
50	359010-10902

We reserve the right to introduce technical alterations without prior notice.