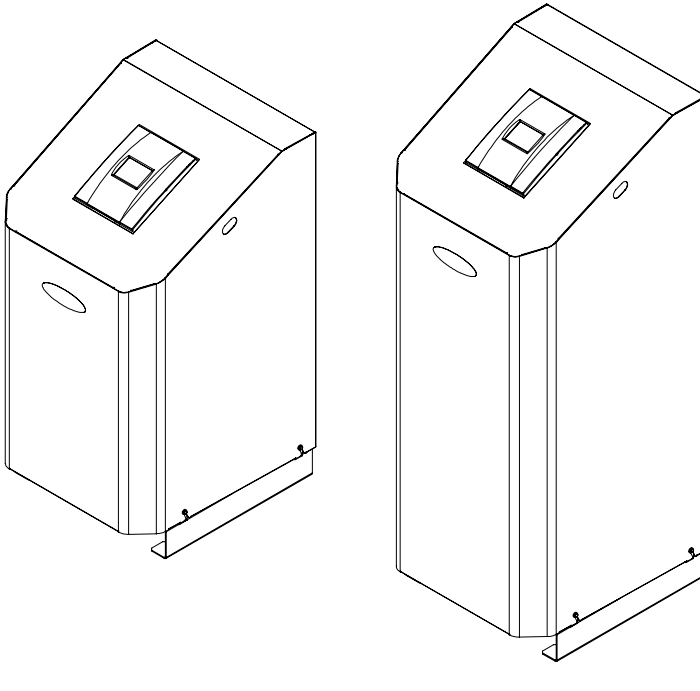
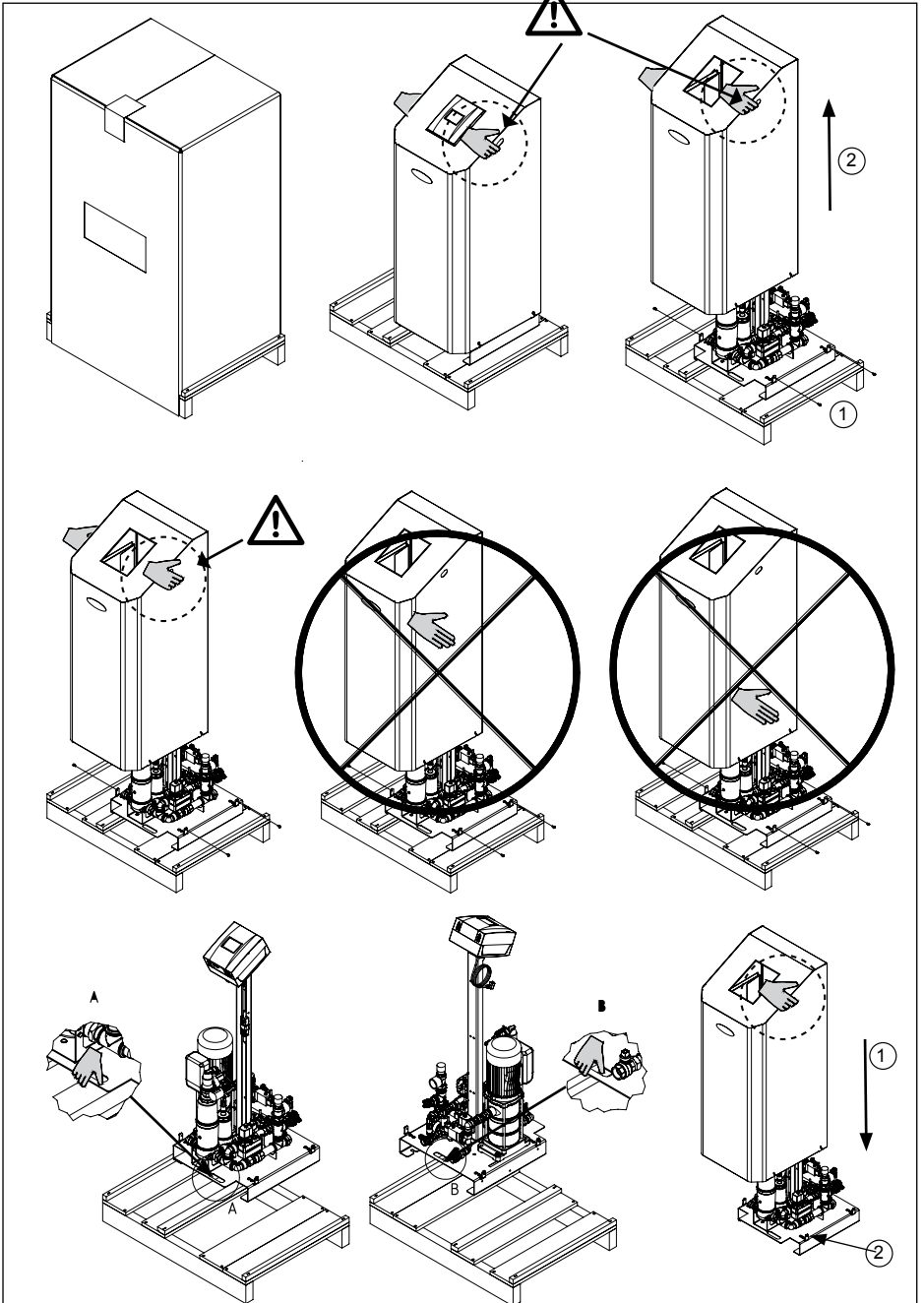
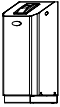
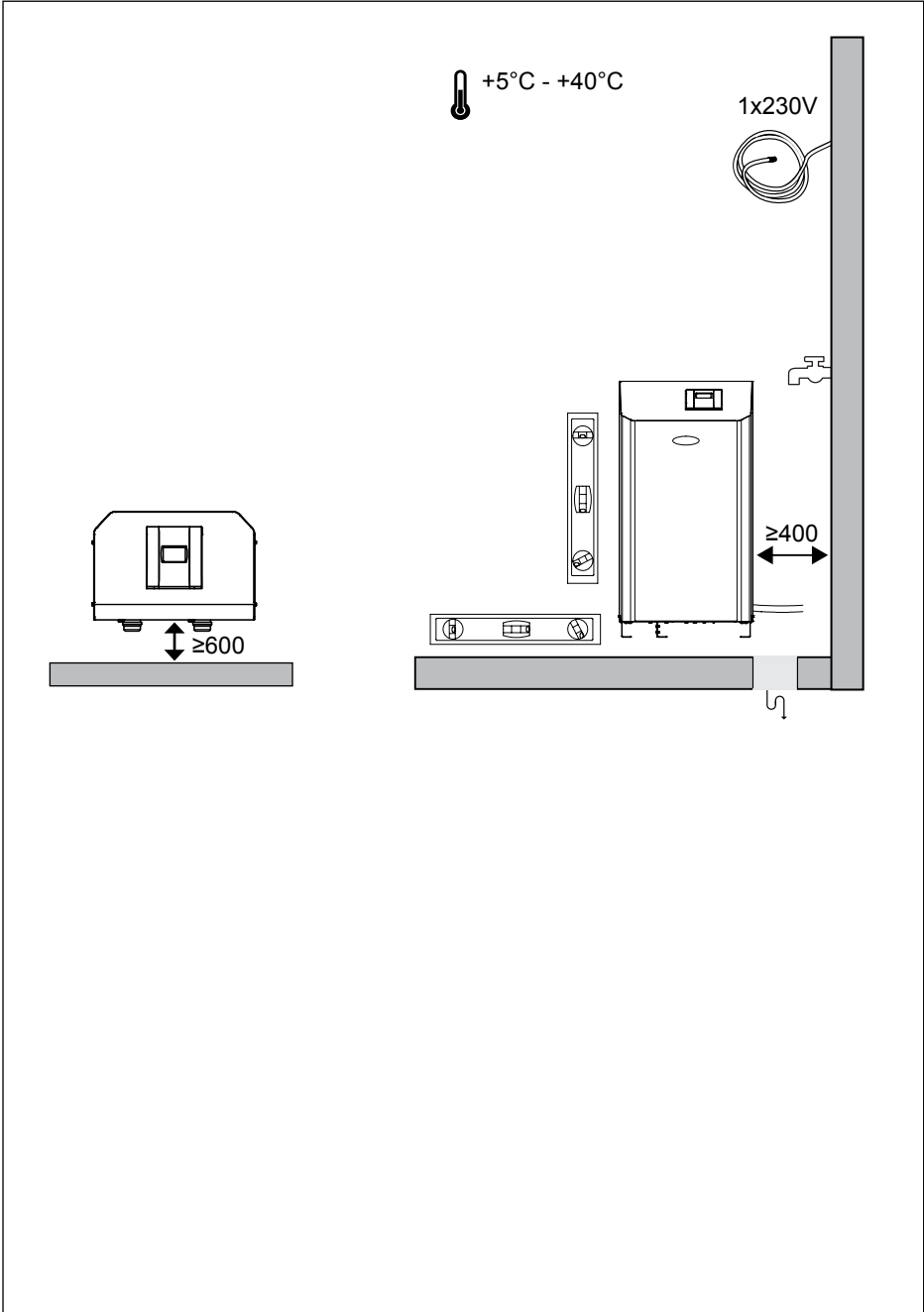


Vento Connect V 4 - 14 INSTALL



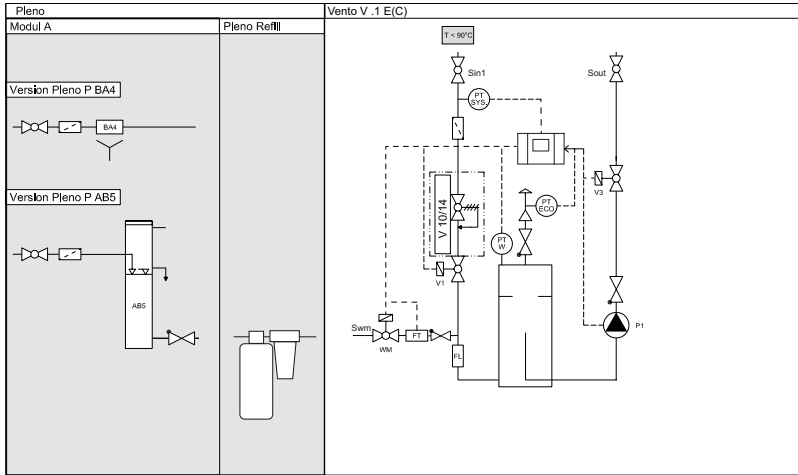
SAFETY - INSPECTION - DISASSEMBLING prescriptions	
ATTENTION	
INSPECTION	
DISASSEMBLING	
SAFETY	
GENERAL PRESCRIPTIONS	
SAFETY PRESCRIPTIONS	
INSPECTION PRESCRIPTIONS	
DISASSEMBLING PRESCRIPTIONS	
REVISIONS	
REVISION N°	
DATE	
BY	
FOR	
REVISIONS	
REVISION N°	
DATE	
BY	
FOR	
REVISIONS	
REVISION N°	
DATE	
BY	
FOR	





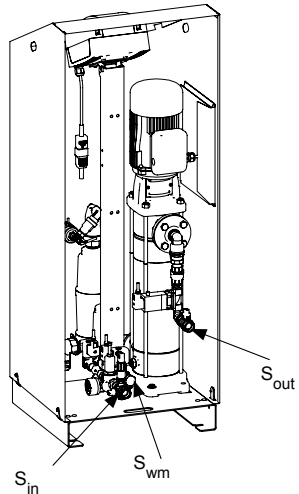
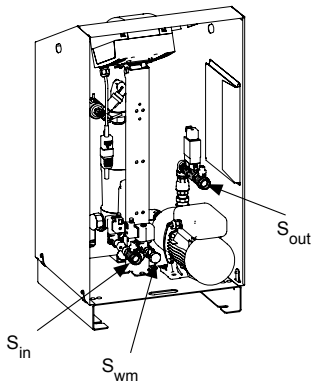
Vento V.1

Optional



V.4_, V.6_, V.8_

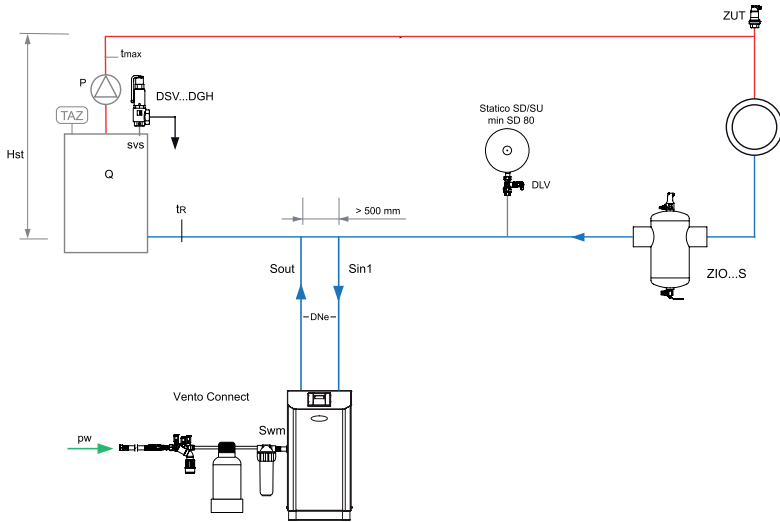
V.10_, V.14_





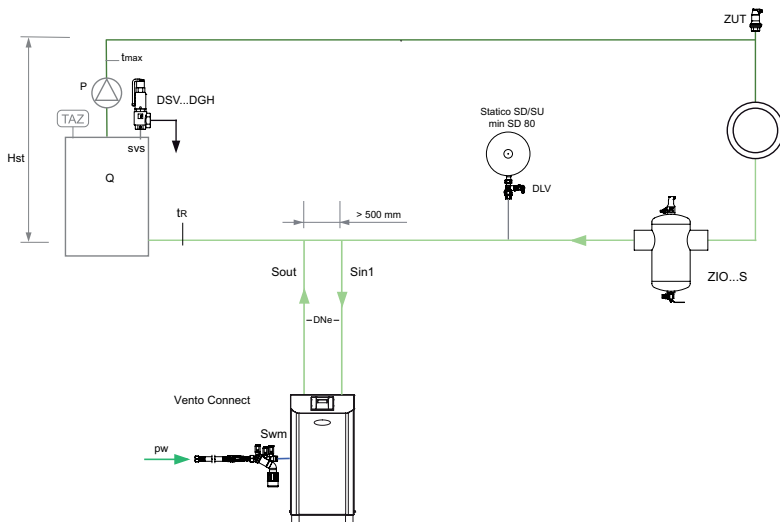
$T \leq 90^\circ\text{C}$

Vento V.1 E (Refill)



$T > 0^\circ\text{C}$

Vento V.1 EC (Pleno)



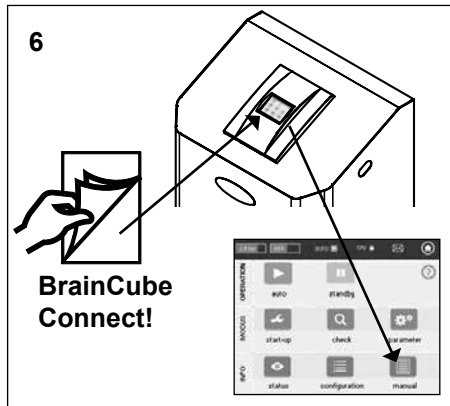
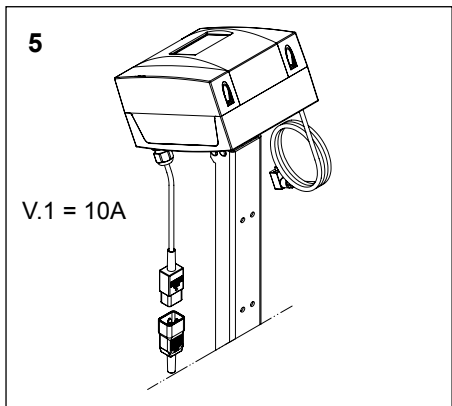
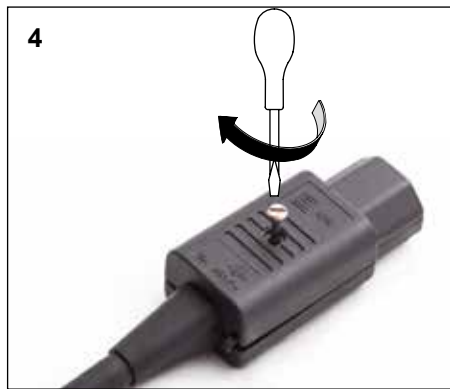
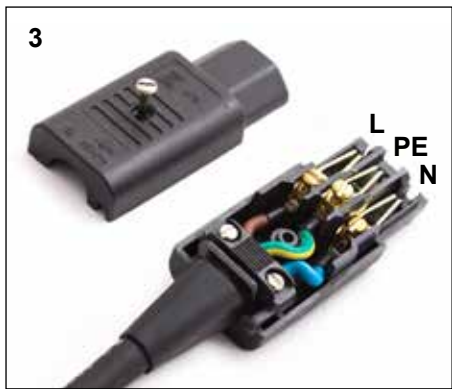
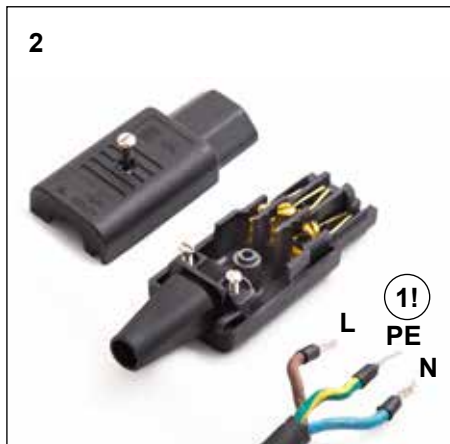
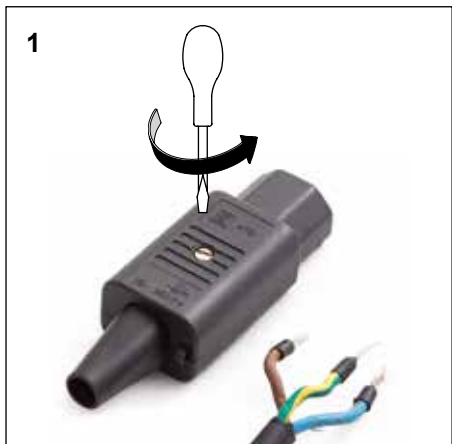
DNe

		V_4.1	V_6.1	V_8.1	V_10.1	V_14.1
Length up to approx. 10 m	DNe	25	25	25	25	25
Length up to approx. 20 m	DNe	25	25	25	25	25
Length up to approx. 30 m	DNe	32	32	32	32	32

1x230V



#1-5



We reserve the right to introduce technical alterations without previous notice.



Hydronic Engineering

www.imi-hydronic.com