

## Mounting Instruction

Revision set : Pump  
Article No. : 16.340

### Contents of the revision set:

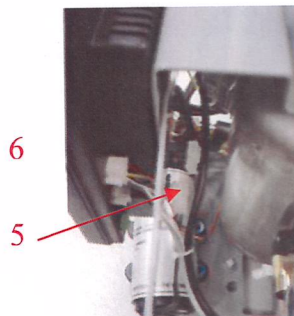
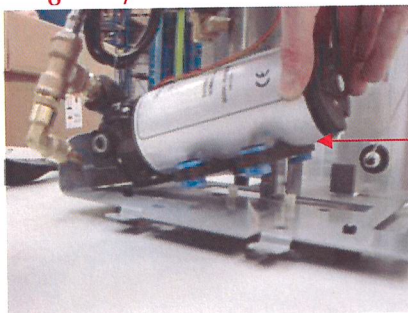
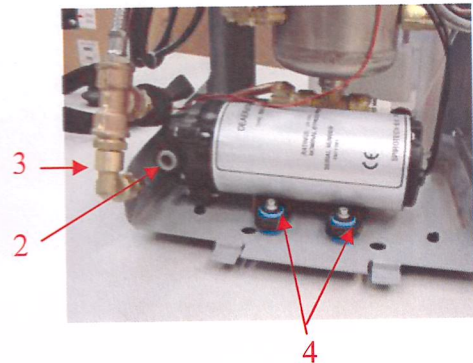
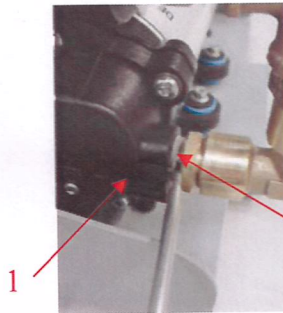
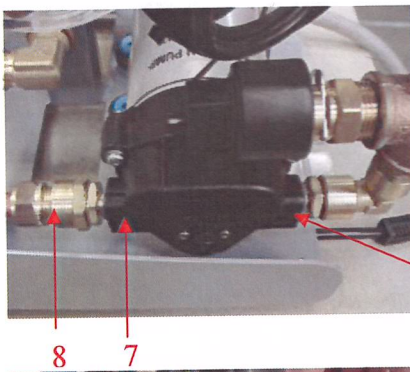
1x Pump type 8851-2J03-V323  
1x mounting instruction



**NOTE:** Before servicing the SpiroVent Superior make sure the unit is isolated from the power supply and that all pressure is released. (see chapter 7.2 of the user manual)

### (De)mounting:

- 1) Loosen the 2 bolts on both sites of the unit and then pull the cover off.
- 2) On the delivery side (1) of the pump push the gray ring (2) towards the pump by means of a screwdriver and pull the delivery line (3) loose from the pump.
- 3) Unscrew the 2 bolts (4) on the front side of the pump foot.
- 4) Pull loose the connector (5) in the power supply cable to the pump.
- 5) Lift up the back of the pump (6) until it comes loose of the backside fixations.
- 6) On the suction side (7) of the pump push the gray ring towards the pump body by means of a screwdriver and pull loose the pump from the suction line (8).
- 7) Take the new pump and push the suction line (8) into the suction side opening of the pump with the back of the pump lifted up.
- 8) Position the backside of the pump foot over the fixations in the frame and fix the 2 bolts in the front side of the pump foot.
- 9) Reconnect the power supply by pushing the two connector parts (5) together.
- 10) Push the delivery line (3) into the delivery side opening (1) of the pump.
- 11) Position the cover in the slot in the bottom of the frame and fix it with the 2 bolts.



### **Putting the SpiroVent Superior back into operation.**

See chapter 5.5.1. of the installation and operating instructions for setting the user parameters and then see chapter 5.5.3 for taking the Superior in operation again.