

Mounting Instruction

Revision set : Control unit
Article No. : R18.091A01 A07

Contents of the revision set:

- 1x control unit
- 1x mounting instruction



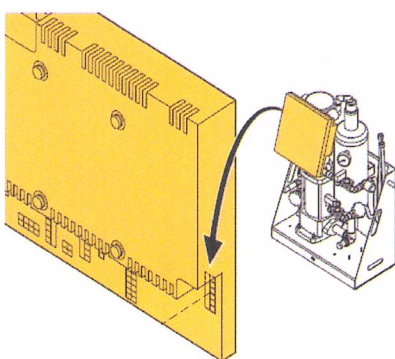
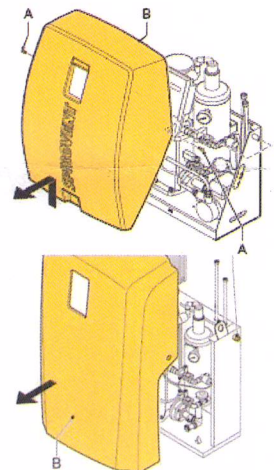
NOTE: Before servicing the SpiroVent Superior make sure the unit is isolated from the power supply and that all pressure is released. (see chapter 7.2 of the user manual)

When exchanging the control panel all history information and settings are lost. Write down current settings to program them in the new control.

Note: Check if you have the right control: the Superior type printed (on the left side of the on/off button) on the revision control unit **must** correspond with the type mentioned on the type plate of the Superior.

(De)mounting:

- 1) Loosen the 2 screws (A) on both sites of the unit and then pull the cover (B) off.
- 2) Shift the control box up and pull it off the frame.
- 3) On the backside of the control box pull loose the connectors.
- 4) For loosening the white connectors push the small pin on the site of the connector to the body and then pull the connector loose.
- 5) Take the new control box and push all connectors in the sockets on the back of the control unit.
- 6) Push the new control box in the holes in the frame and shift it down.
- 7) Position the cover and fix it with the 2 screws.



connector	description	S6	S10/S16
J1	main pump	x	x
	back up pump	x	
	solenoid valve(s)	x	x
J4	pressure switch outlet		x
J5	level switch	x	x
J7	pressure switch	x	x
J9	water flow meter	x	x
J10	SmartSwitch	x	x
J11	pressure sensor	x	x
	temperature protection pump		x
J16	power supply	x	x
J20	BMS contacts	x	x
J21	remote refill	x	x

Putting the SpiroVent Superior back into operation.

See chapter 5.5.1. of the installation and operating instructions for setting the user parameters and then see chapter 5.5.3 for taking the Superior in operation again.