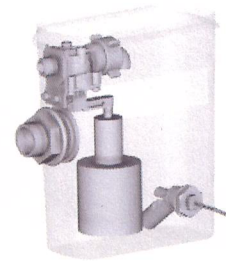


Mounting Instruction

Revision set : Float tank S4A-R assembly
 Article No. : R72.780



Contents of the revision set:

- 1x Float tank S4A-R assembly
- 1x Mounting Instruction

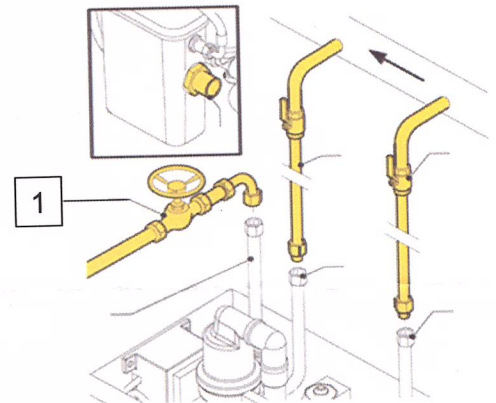


NOTE 1: Before servicing the Spirovent Superior or SpiroPress Fill, make sure the unit is isolated from the power supply and that all pressure is released. (see chapter 7.2 of the user manual) Make sure that the fresh water supply is blocked.

NOTE 2: This article also replaces article 16.351 from the list of replacement parts in the manual § 8.2 (letter T: float valve).

Demounting old float tank

1. Close the valve (1) in the refill line.
2. Remove the suction pipe (2).
3. Disconnect the cable connector of the float switch (7).
4. Disconnect the piping connected to the round draining pipe (4).
5. Disconnect water supply hose (5).



Mount new float tank

1. Make sure the float (6) does not touch the wall.
2. Replace the old break tank with the new one.
3. Mount back the suction pipe (2).
4. Connect the water supply hose (5). Do not forget the gasket.
5. Connect the connector of the float switch (7).
6. Connect –if wanted- the round drain pipe (4) to drain. Keep in mind the necessary “air break to drain”.
7. Open the valve (1) in the refill line.

