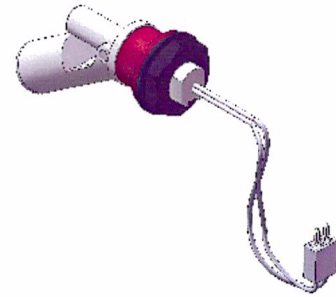


Mounting Instruction

Revision set : Float switch
Article No. : R73.359



Contents of the revision set:

- 1x Mounting instruction
- 1x Float switch with gasket and nut
- 1x Gasket EPDM 15x10x1
- 1x O-ring EPDM 10x 2.5



NOTE: Before servicing the SpiroVent Superior S400 or S600, make sure the unit is isolated from the power supply and that all pressure is released. (see chapter 7.1 and 7.3 of the user manual). Make sure that the fresh water supply is closed.

(De)mounting:

- 1) Remove the cover: see figure 2 (S400) or figure 3 (S600).
- 2) Disconnect the hose [C] from the float valve (see figure 1).
- 3) Loosen the nut [1] (see figure 1).
- 4) Loosen bolt [3]: see figure 4; S400 or figure 5; S600).
- 5) Remove the break tank from the frame. Move the break tank:
 - ▶ downwards; ▶ (bottom) to the right; ▶ downwards.
- 6) Disconnect the connector [E] with 2 -pins of the float switch (see figure 1).
- 7) Untighten the nut [4] of the float switch (see figure 1) so that so that switch can be removed.
- 8) Mount the new float switch and tighten the nut [4] sufficiently (see figure 1).
Make sure the floater can move in the position as indicated in figure 1.
- 9) Make sure that the floater can move freely.
- 10) Connect the connector [E] with 2-pins (see figure 1).
- 11) Put the break tank back in the frame (reversed handling compared to point 5).
- 12) Take hose [3], replace gasket ($\text{Ø}15 \times \text{Ø}10 \times 1$) and connect hose to the float valve (see figure 1).
- 13) Fasten bolt [3]: see figure 4 (S400) or figure 5 (S600).
- 14) See figure 1: fasten nut [1] after replacing the O-ring ($\text{Ø}10 \times 2.5$)

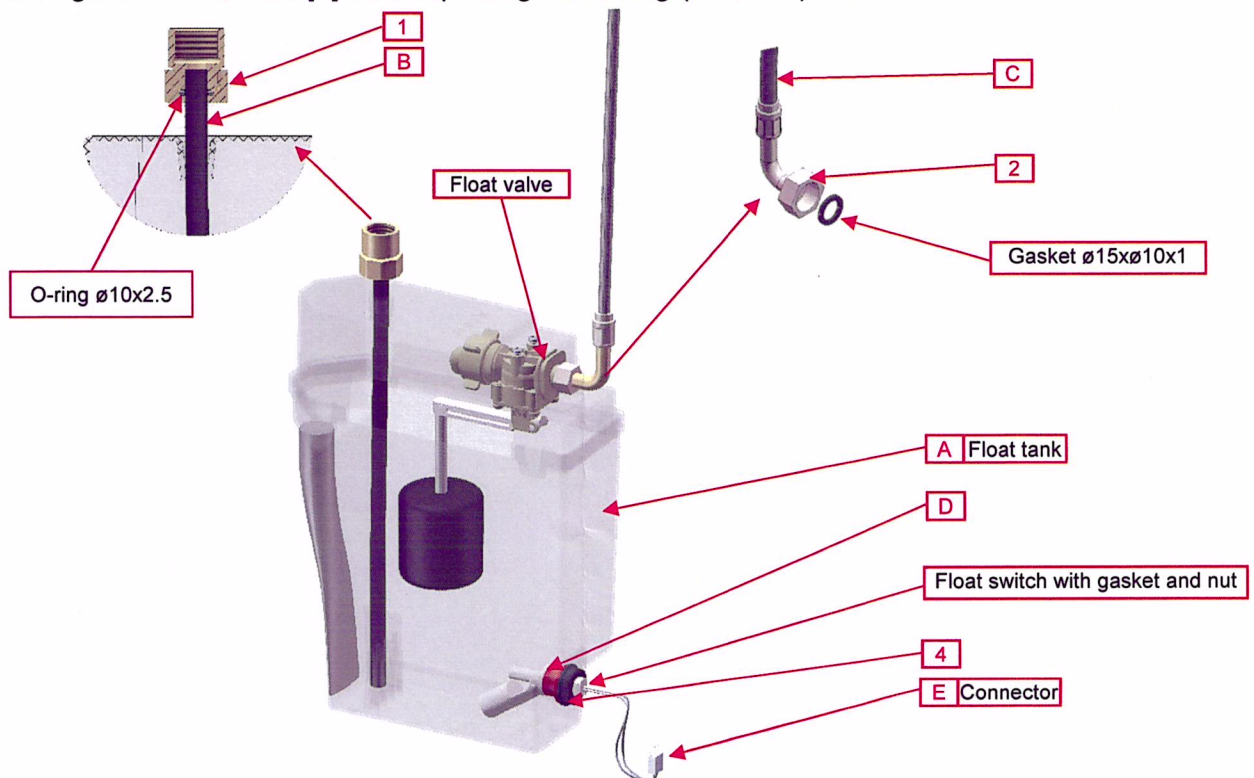


Figure 1: Break tank; SpiroVent Superior

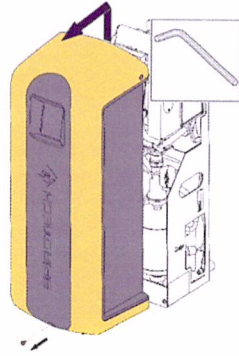


Figure 2: Remove cover S400

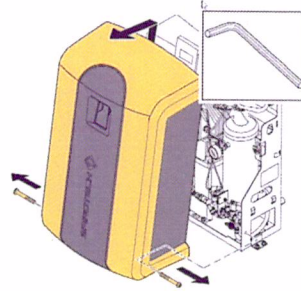


Figure 3: Remove cover S600

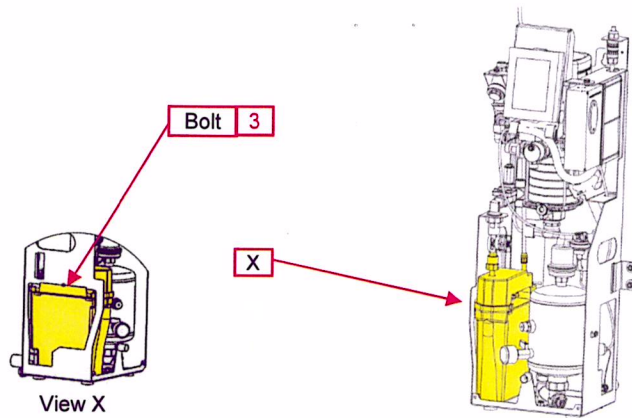


Figure 4: SpiroVent Superior S400

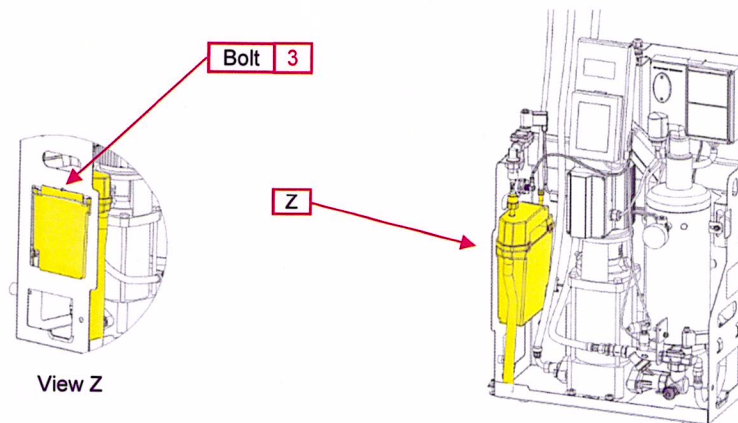


Figure 5: SpiroVent Superior S600

Putting the unit back into operation.

SpiroVent Superior S400/S600: see chapter 5.4.1 - 5.4.3 - 5.4.4 of the installation and operating instructions for taking the unit in operation again.