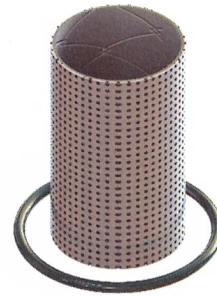


Mounting Instruction

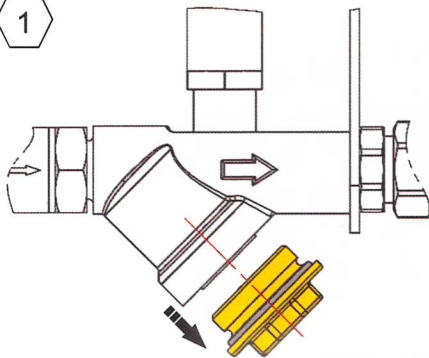
Revision set : Filter 250 µm Ø24x30
 Article No. : R73.207

Contents of the revision set:
 1x Filter 250 µm Ø24x30
 1x O-ring EPDM 33x2
 1x Mounting instruction

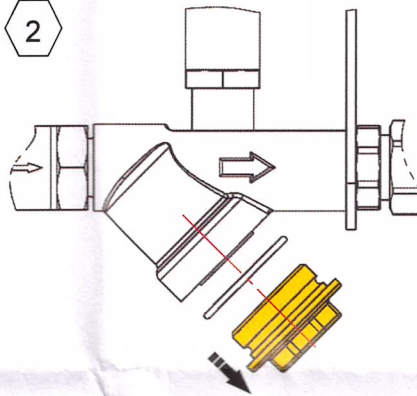


NOTE: Before servicing the Spirovent Superior, make sure the unit is isolated from the power supply and that all pressure is released. (see chapter 7.3 of the user manual) Make sure that the fresh water supply is blocked.

1



2



3

