

## Mounting Instruction

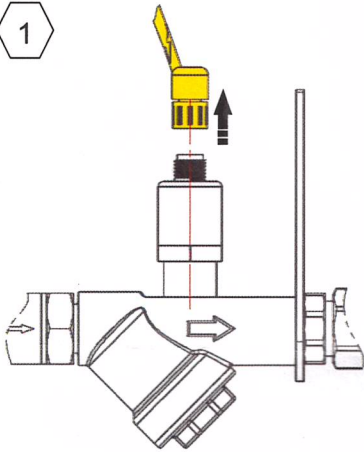
Revision set : Pressure sensor spacer  
Article No. : R73.367

Contents of the revision set:  
1x Pressure sensor spacer  
1x O-ring 8.73x1.78  
1x Mounting instruction

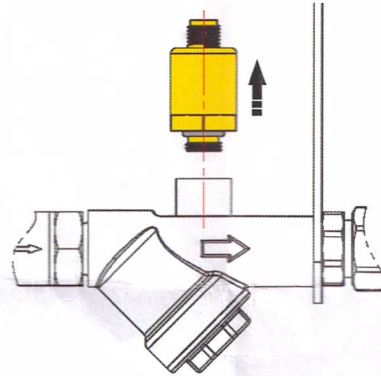


**NOTE:** Before servicing the Spirovent Superior, make sure the unit is isolated from the power supply and that all pressure is released. (see chapter 7.3 of the user manual) Make sure that the fresh water supply is blocked.

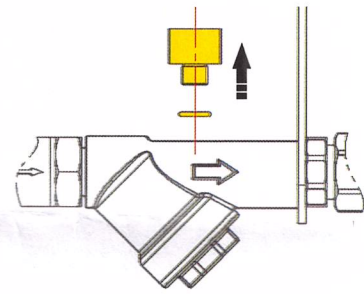
1




2



3



Mounted

 Be sure that o-rings are in places!!!

Fasten until there is no gap!!! 