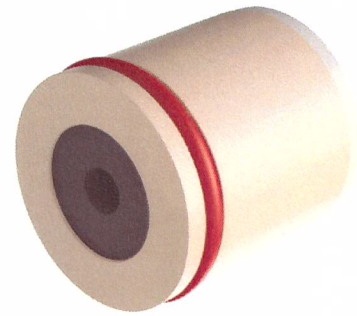


## Mounting Instruction

Revision set : non-return valve (refill line)  
 Article No. : R61.423

### Contents of the revision set:

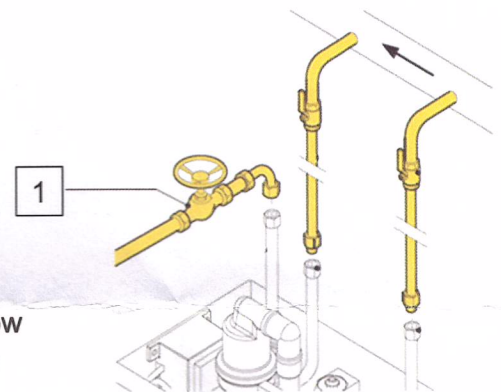
1x non-return valve DW15/DN10-GF  
 1x Mounting Instruction  
 1x Gasket Ø26xØ16x1.5



**NOTE 1:** Before servicing the Spirovent Superior, make sure the unit is isolated from the power supply and that all pressure is released. (see chapter 7.3 of the user manual) Make sure that the fresh water supply is blocked.

### Demounting non-return valve

1. Close the valve (1) in the refill line.
2. Loosen the coupling nut (2).
3. Remove the old gasket (3).
4. Remove the old non-return valve (4).



### Mount new non-return valve

1. Replace the old non-return valve with the new one. Make sure flow direction is applied correctly (check position of O-ring on non-return valve as a reference) (4).
2. Use new Gasket Ø26xØ16x1.5 (3).
3. Tighten the coupling nut (2).
4. Open the valve (1) in the refill line.

