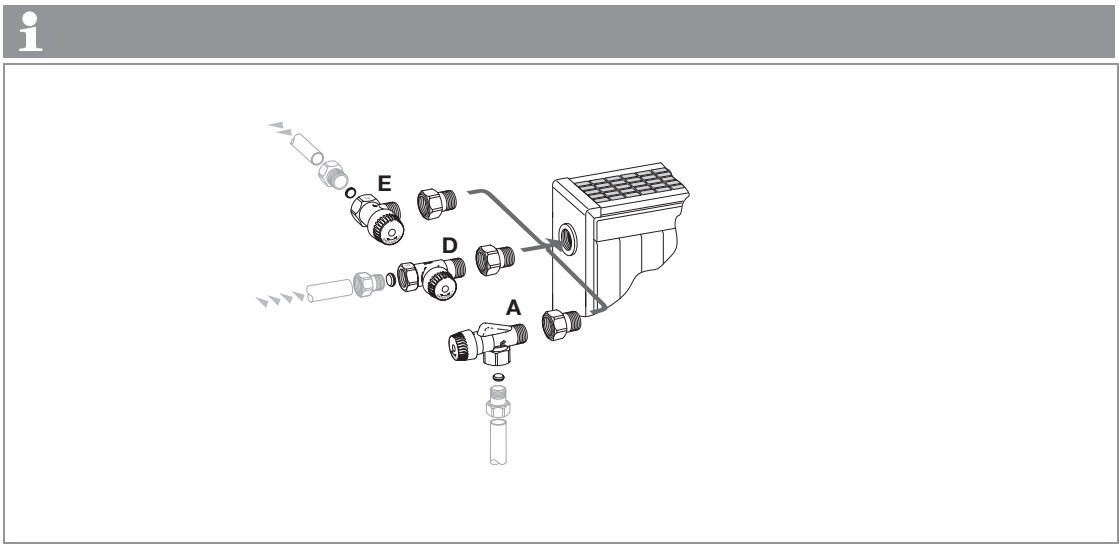


**!**

	2 - 130°C (36 - 266°F) Max. 10bar (145psi)	$\Delta p_{max} = 1.0\text{bar (14.5psi)}$ $kvs = 0.75 (cv = 0.87)$ M30 x 1.5	
--	---	---	--

	DN10	DN15	DN10	DN15	DN10	DN15
<b>(DK)</b>	40 3492.003	40 3492.004	40 3491.003	40 3491.004	40 3490.003	40 3490.004
<b>(NO)</b>	8565868	8565865	8565867	8565864	8565869	8565866
<b>(SE)</b>	4757120	4757121	4757114	4757115	4757116	4757117
<b>(FI)</b>	4032802	4032803	4032800	4032801	4032804	4032805

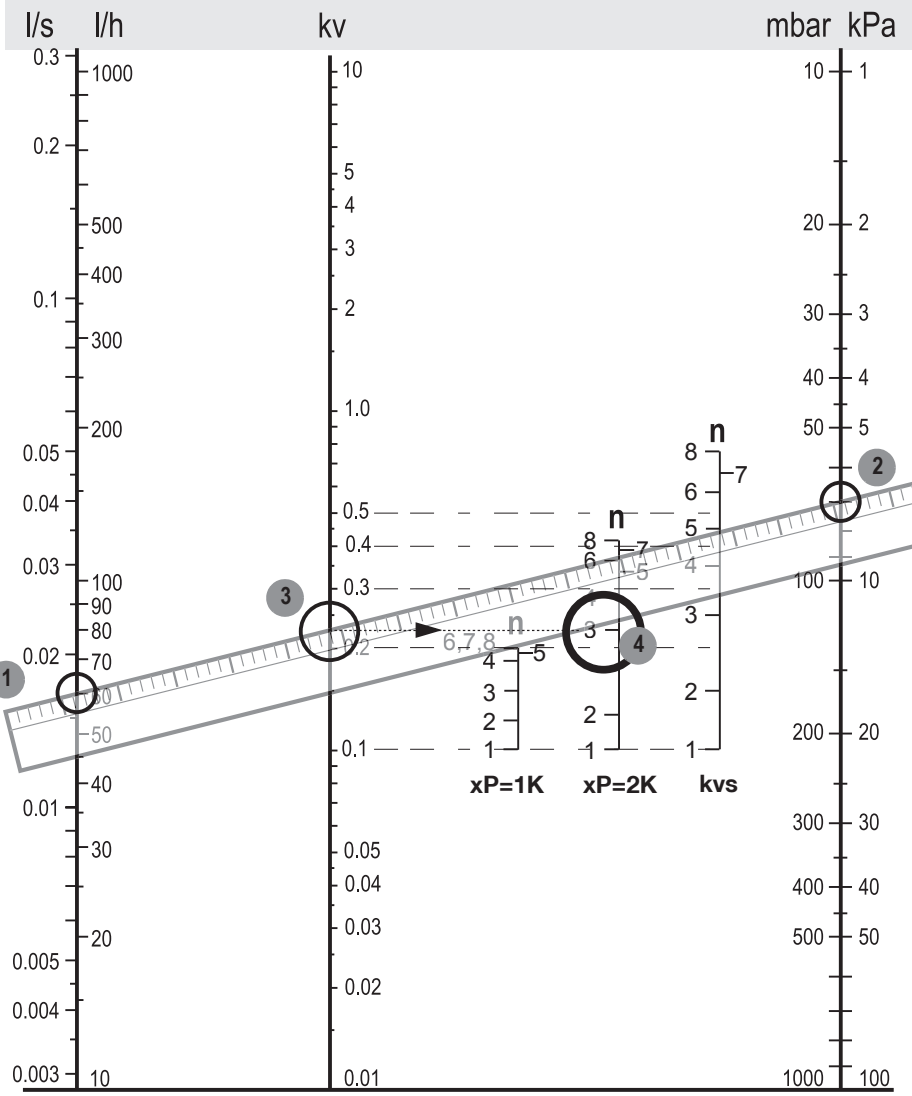
certified according to EN 215



<b>A</b>		<b>B</b>		<b>C</b>	
<b>D</b>	$\alpha=90^\circ$ DN10: 40Nm DN15: 60Nm $\alpha=0^\circ$	<b>E</b>		<b>F</b>	n=1...8 → Tab. 1 n=3 
<b>G</b>					

<b>A</b>		<b>B</b>		<b>C</b>	n=8 
<b>D</b>		<b>E</b>		<b>F</b>	

**Tab. 1**



1  $\dot{V} = 60 l/h$ 
2  $\Delta p = 70 mbar$   
 $xP = 2K$ 
3  $kv = 0.22$ 
4  $n = 3$