

Alterna

Day Light

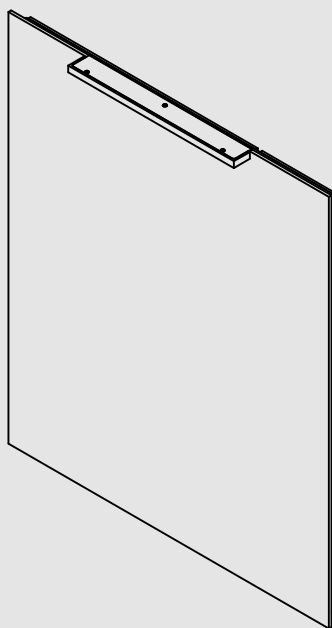
S SPEGEL MED LED SLINGA

GB MIRRORS WITH INDIRECT LIGHT LED STRIPES

DK SPEJL MED INDDIREKTE LED BELYSNING

N SPEIL MED BAKGRUNNSLYS I LED

NL SPIEGEL MET LED VERLICHTING RONDOM



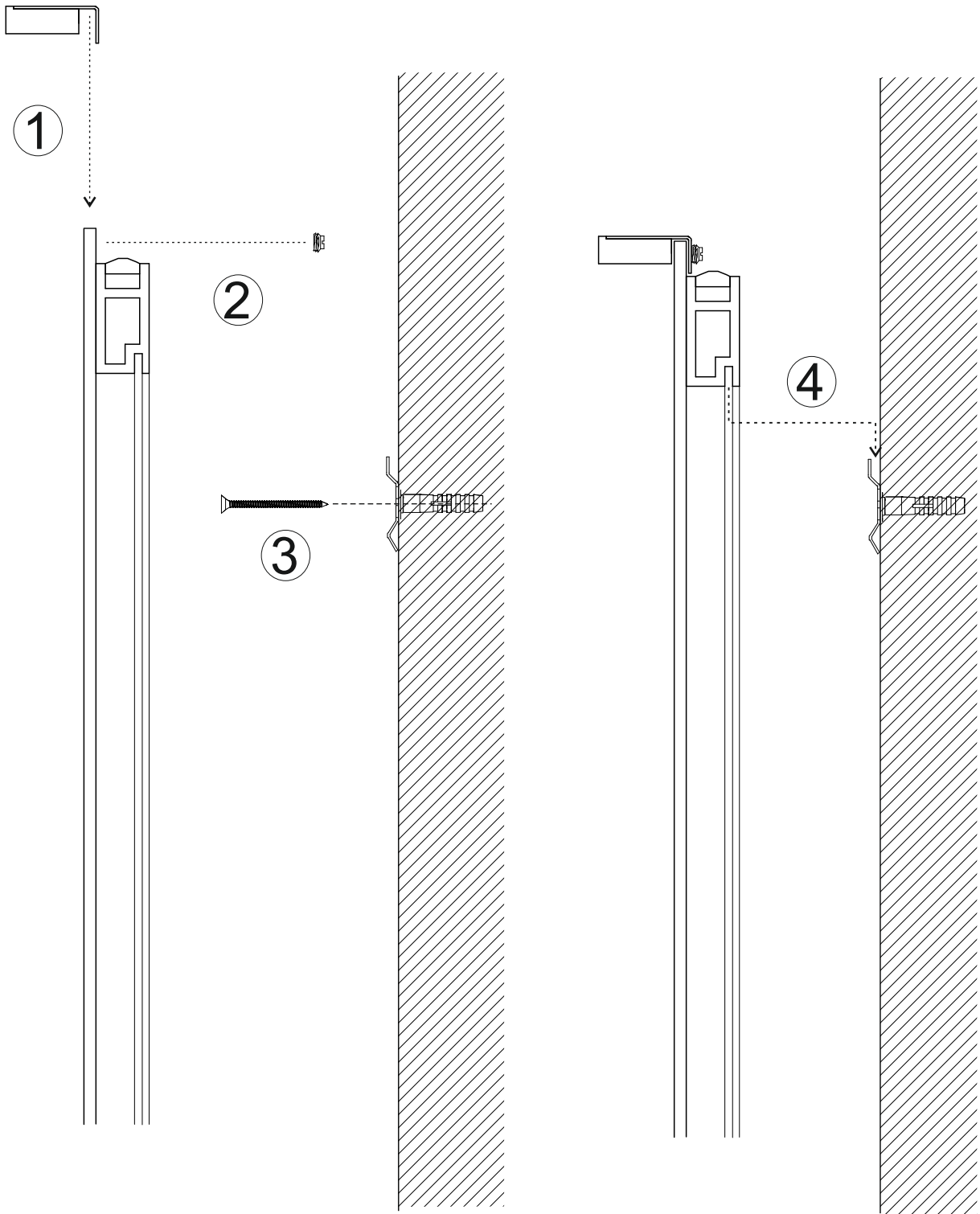
GB Assembly instructions

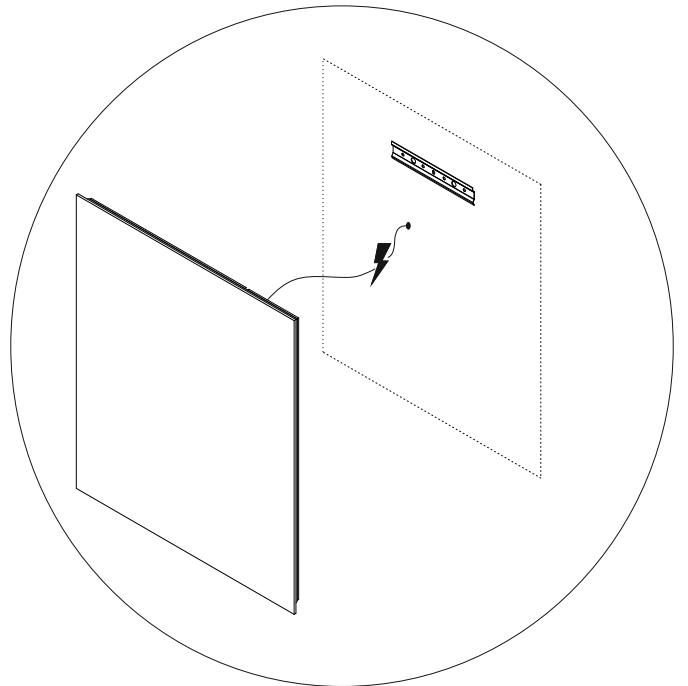
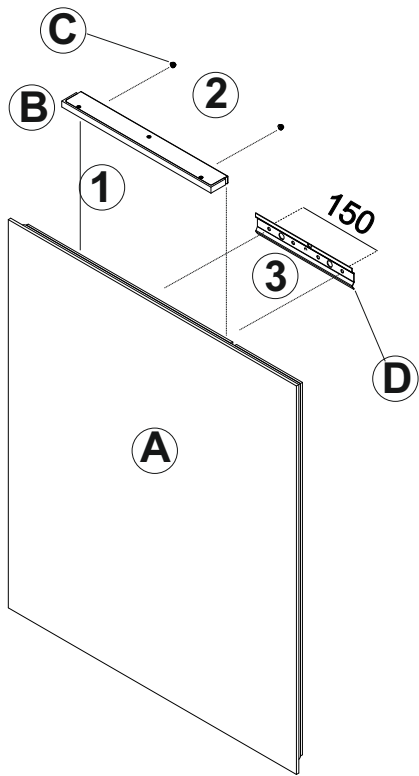
DK Montage vejledning

N Monteringsveiledning

NL Montagehandleiding

S Monteringsanvisning





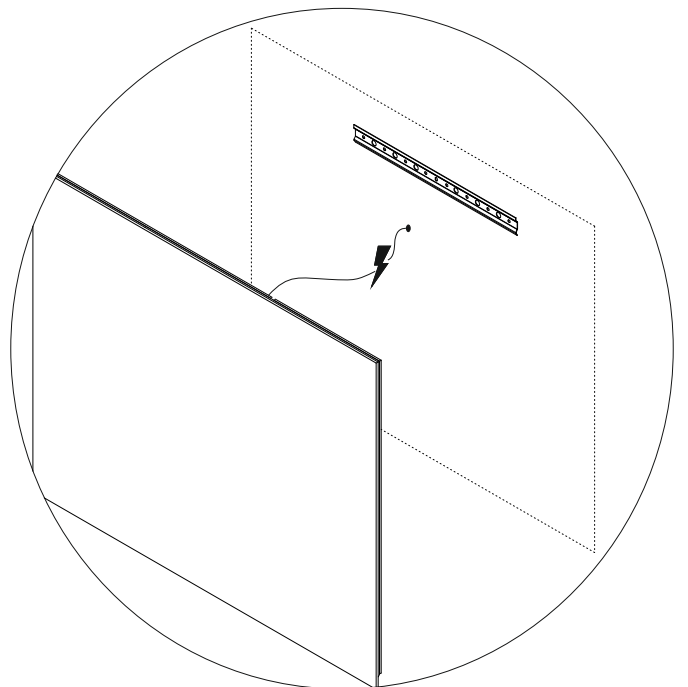
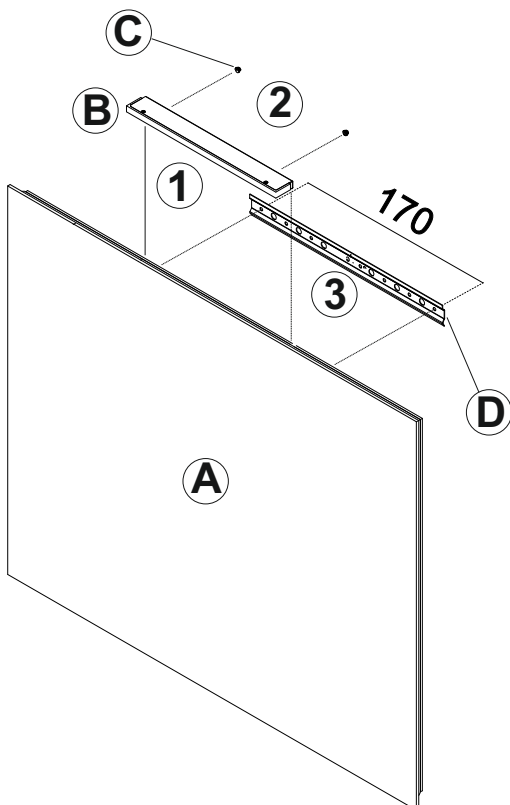
(GB) A: Square edge mirror: cm45x70/cm60x70/cm70x70 - B_ Led spot XP61 (Opzionale) - C_ Screw (x2) - D_ Aluminium bar CR 20

(N) A: Speil i str. 45x70 / 60x70 / 70x70 B: LED-spot 31x4 for speil (tilvalg) C: Skruer x 2 D: Monteringsskinne 15 cm

(S) A: Spegel: 45x70/60x70/70x70 cm - B_ Belysning XP61 (Valfri - ingår inte) - C_ skruv (x2) - D_ Väggfäste CR 20

(DK) A: Firkantet spejl 45x70cm/60x70cm/70x70cm B: LED spot XP61 230V (indgår ikke) C: s stk. skruer D: Montageskinne i aluminium CR20

(NL) A: Een rechthoekige spiegel: 45x70/60x70/70x70 cm. B) Led spot XP61 (optie) C) schroef (2x) D) Aluminium houder CR20



(GB) A: Square edge mirror: cm85x70/cm105x70/cm120x70 - B_ Led spot XP61 (Opzionale) - C_ Screw (x2) - D_ Aluminium bar CR 20

(N) A: Speil i str. 85x70 / 105x70 / 120x70 B: LED-spot 31x4 for speil (tilvalg) C: Skruer x 2 D: Monteringsskinne 17 cm

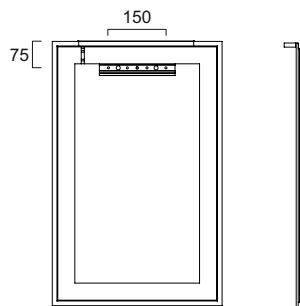
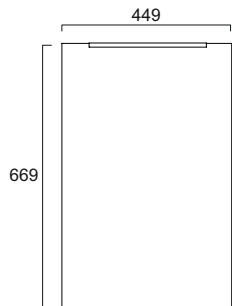
(S) A: Spegel: 85x70/105x70/120x70 cm - B_ Belysning XP61 (Valfri - ingår inte) - C_ skruv (x2) - D_ Väggfäste CR 20

(DK) A: Firkantet spejl 85x70cm/105x70cm/120x70cm B: LED spot XP61 230V (indgår ikke) C: s stk. skruer D: Montageskinne i aluminium CR20

(NL) A: Een rechthoekige spiegel: 85x70/105x70/120x70 cm. B) Led spot XP61 (optie) C) schroef (2x) D) Aluminium houder CR20

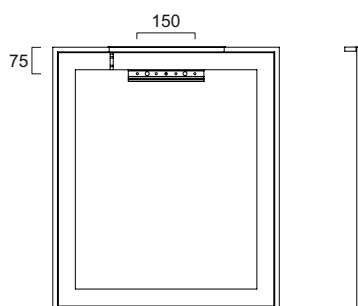
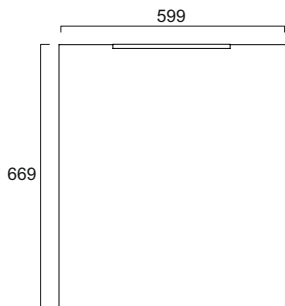
DAY LIGHT

45



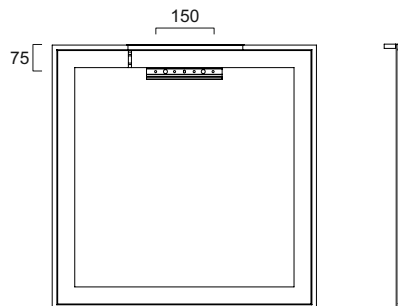
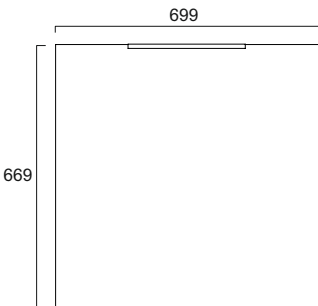
DAY LIGHT

60



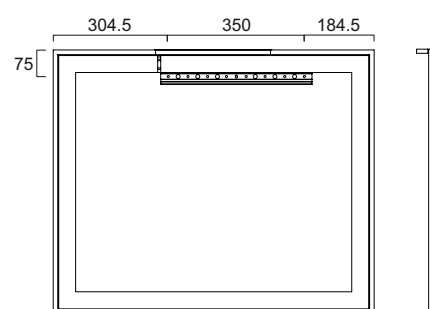
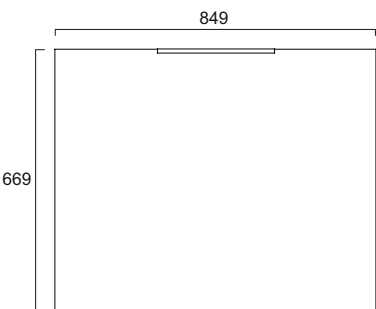
DAY LIGHT

70



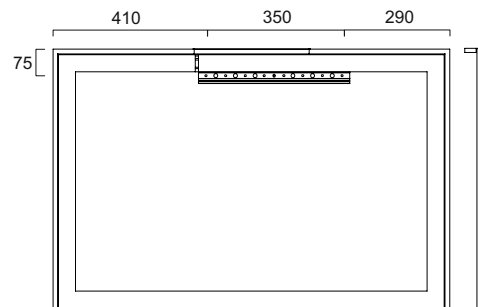
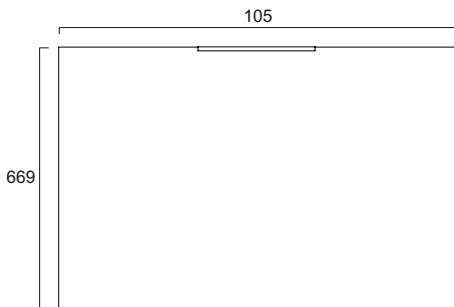
DAY LIGHT

45



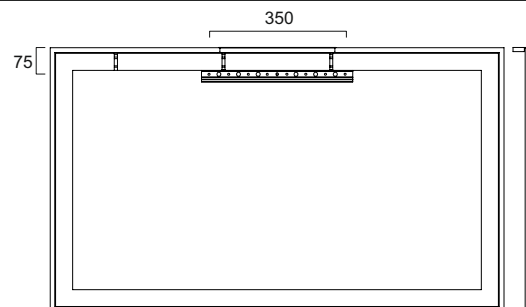
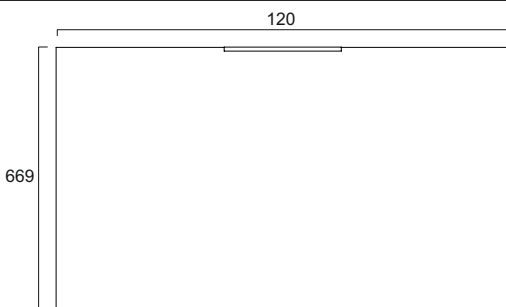
DAY LIGHT

105

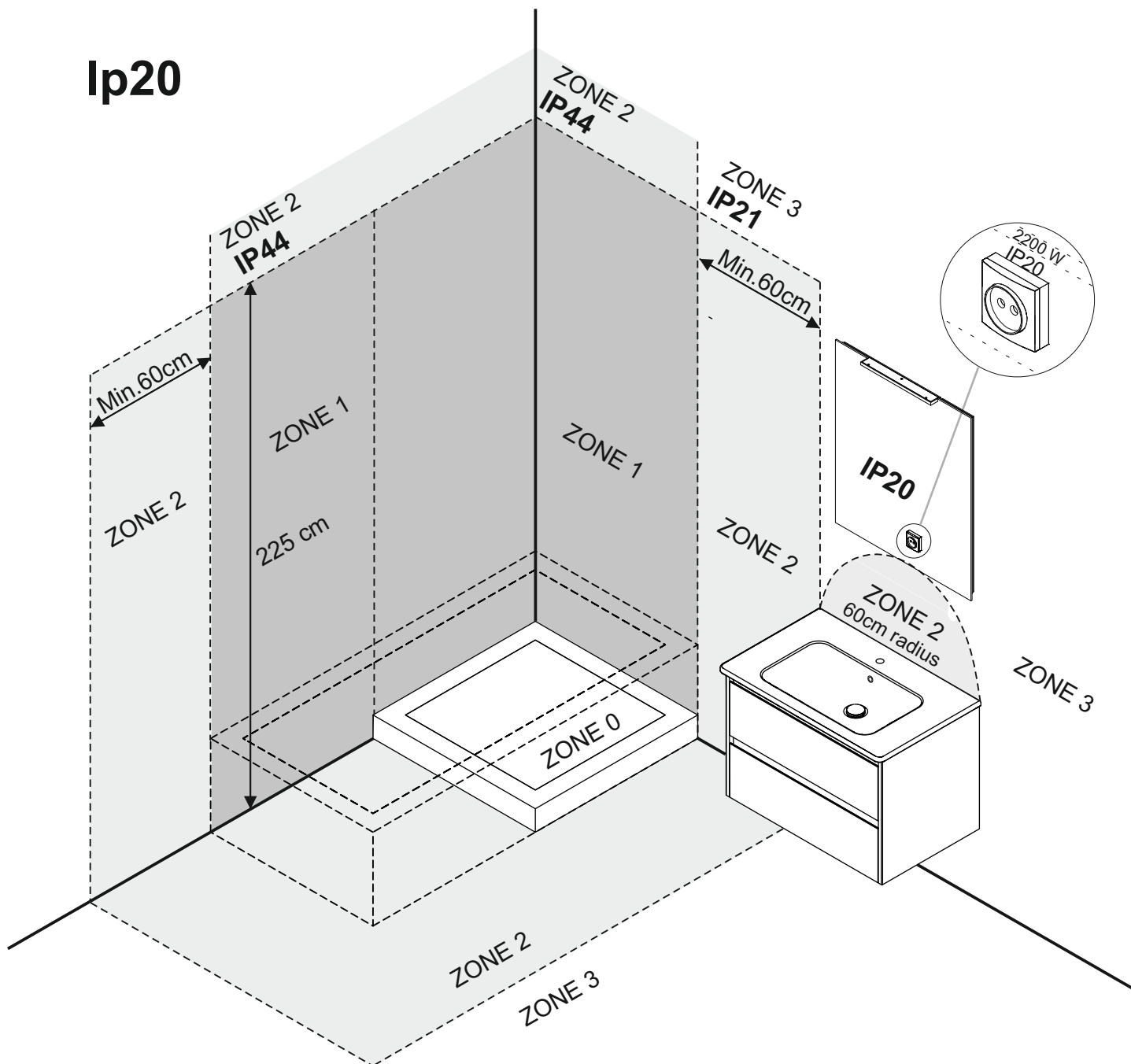


DAY LIGHT

120



Ip20



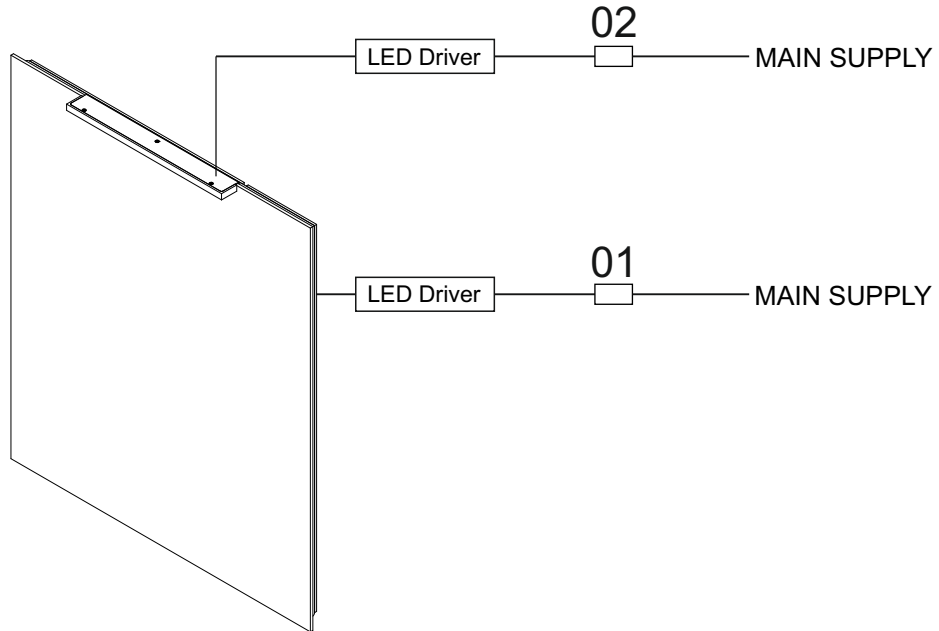
(GB) This product is IP20 rated suitable for installation in ZONE 3.

All installation must comply with guidelines which are based on a zonal concept. The diagram above illustrates this concept and must be followed to ensure the safe installation of bathroom lighting. These regulations apply to domestic installation only. Installations must be made in accordance with the current IEE wiring regulations and relevant buildings regulations. We recommend that all electrical bathroom products should only be fitted by a suitable qualified, registered electrician.

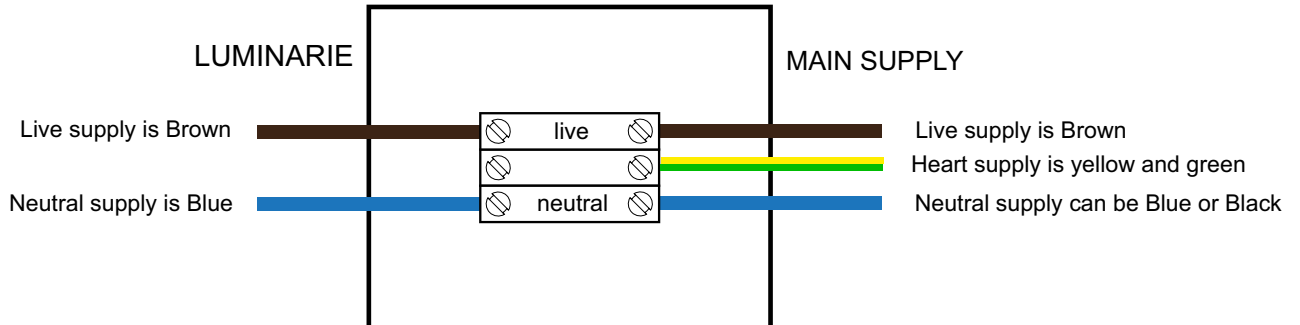
This light fitting is a **Class II** product and therefore doesn't need to be earthed.

WIRING DIAGRAMS

Before any operation ensure the domestic electrical mains supply to which the mirror is being connected is turned off.

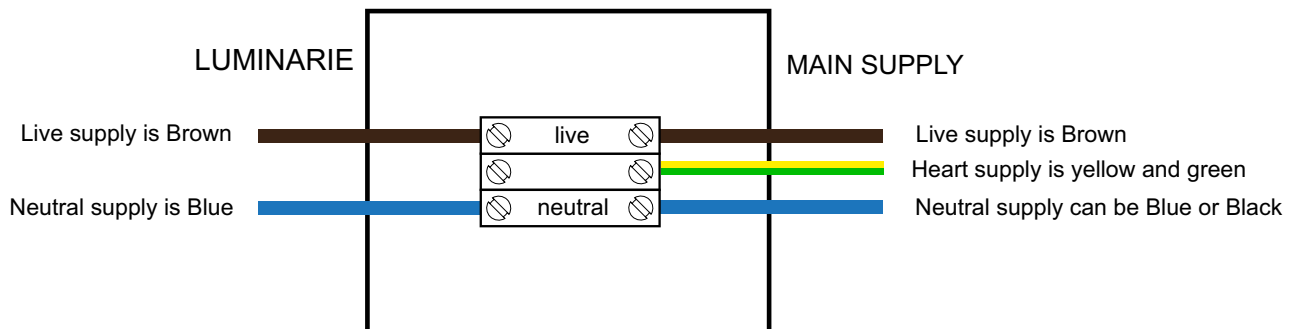


01 Blacklighted LED mirror wiring diagram. LED 21W - 6400K - (cl II - Ip20)



This light fitting is a **Class II** product and therefore doesn't need to be earthed.

02 LED spot XP61 (optional) wiring diagram. LED 3,2W - 6400K - (cl II - IP20)



This light fitting is a **Class II** product and therefore doesn't need to be earthed.