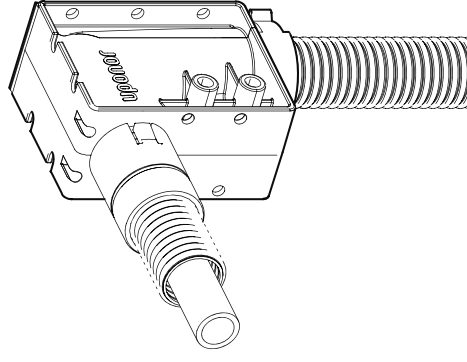


Uponor Smart Aqua PLUS
Wall Bend Support WB 25/20

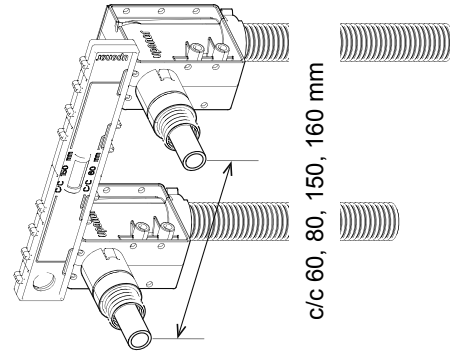
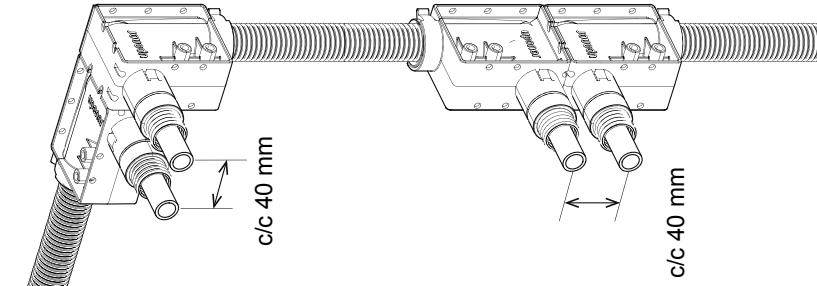
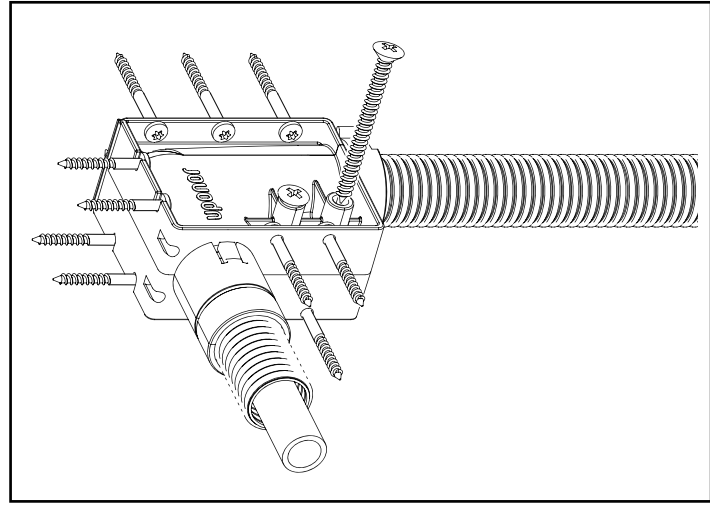
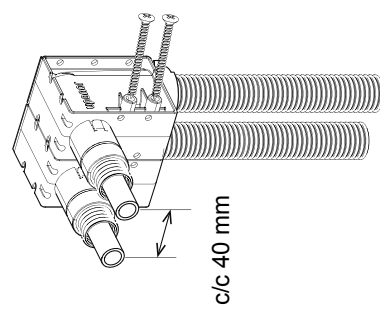
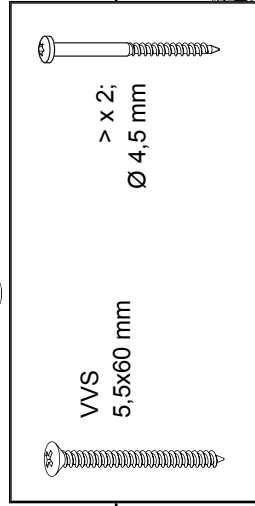
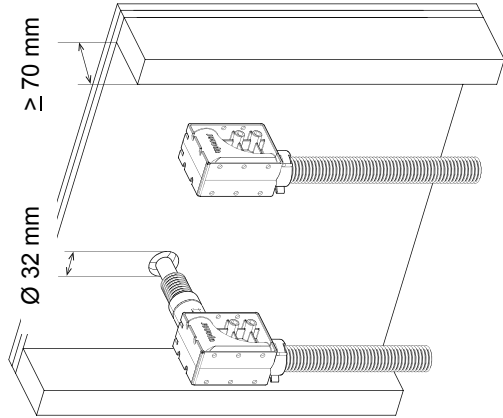
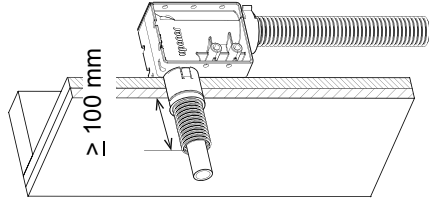
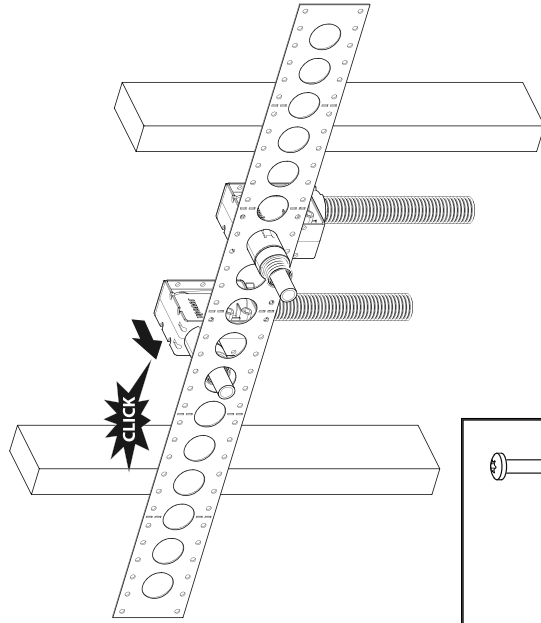


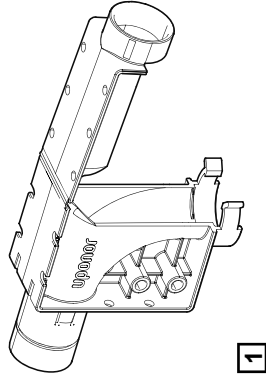
Uponor Corporation
1084600_11/2015_EN

www.uponor.com

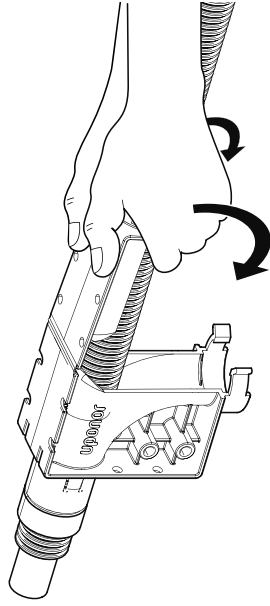


Uponor reserves the right to change specifications without prior notice, in keeping with our policy of continuous improvement and development.

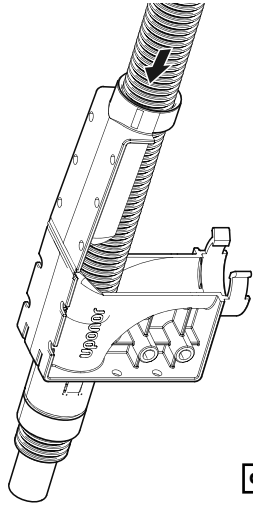




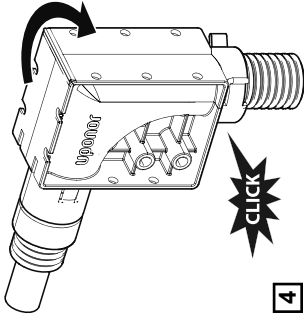
1



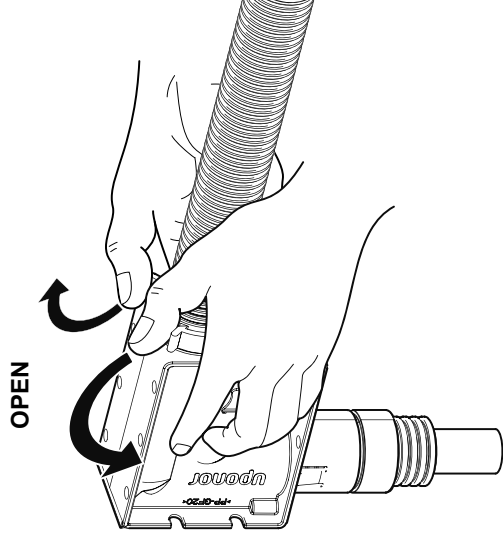
3



2



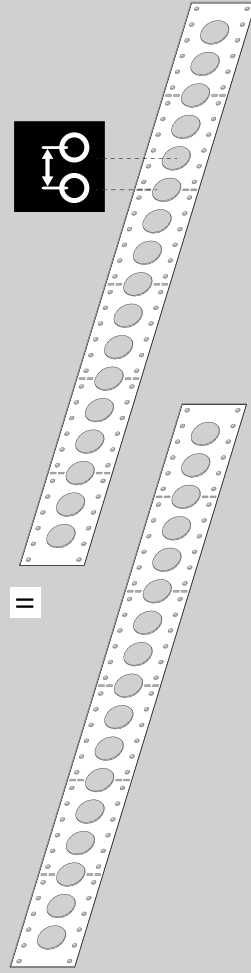
4



OPEN

I

II



C/C

I

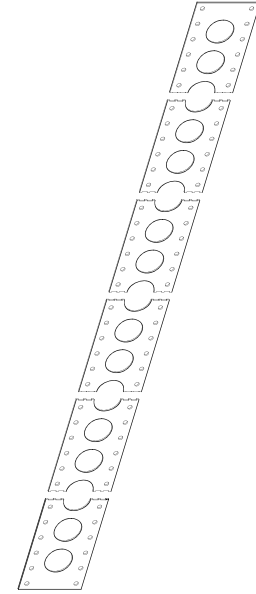
II

40, 80, 120, 160 mm

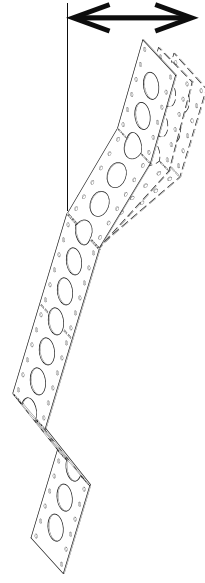
50, 100, 150 mm



Alt. 1



Alt. 2



Alt. 3

