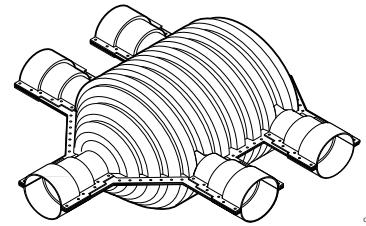
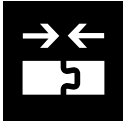
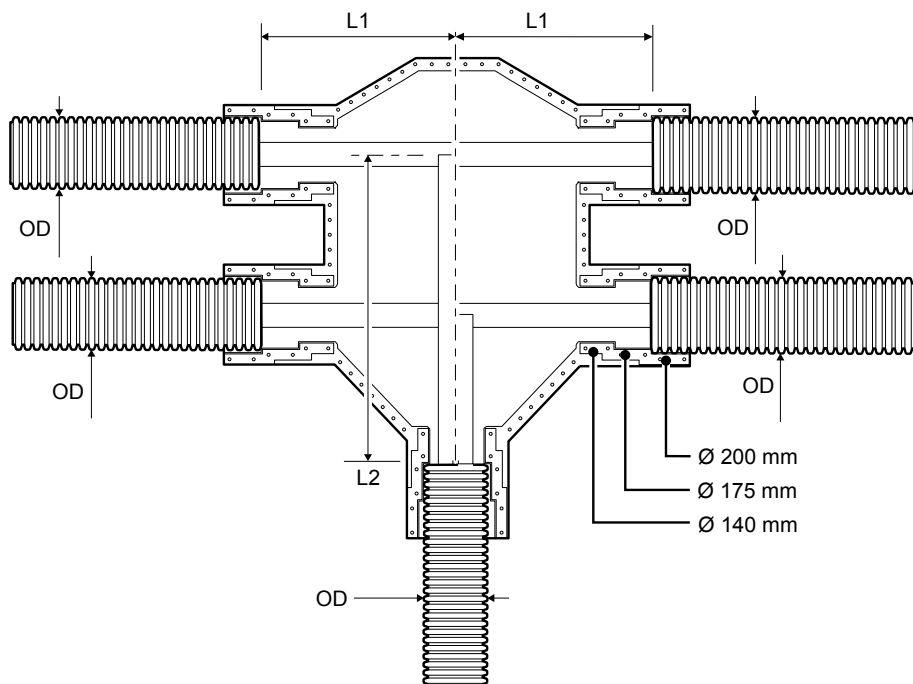


## Uponor Ecoflex H-insulation set

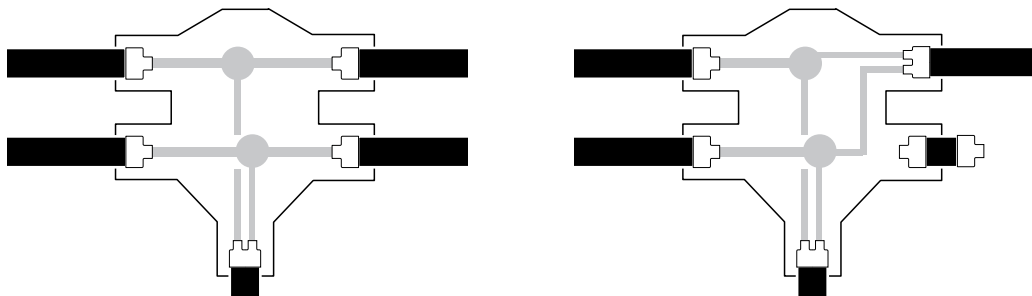


C0000464

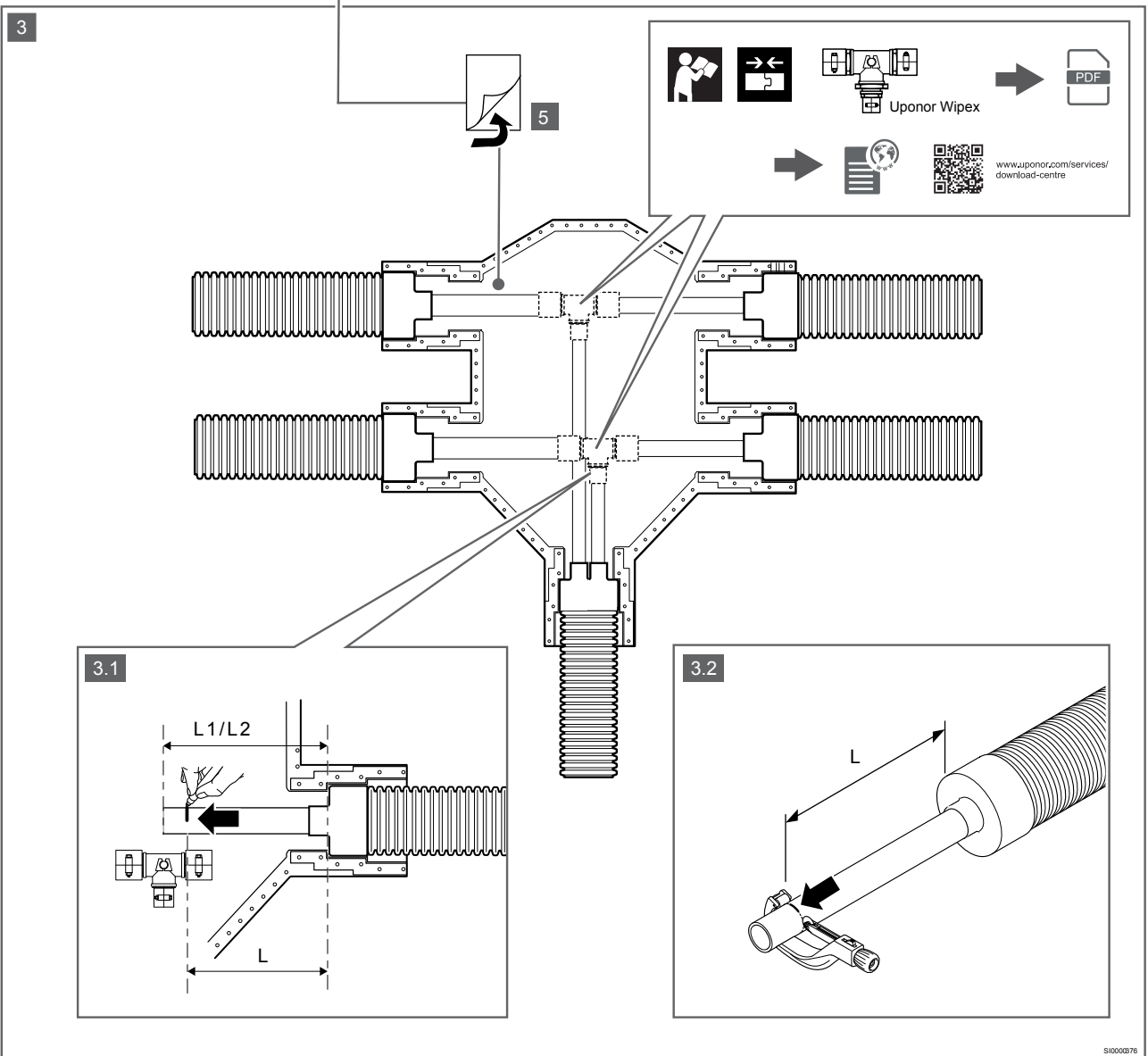
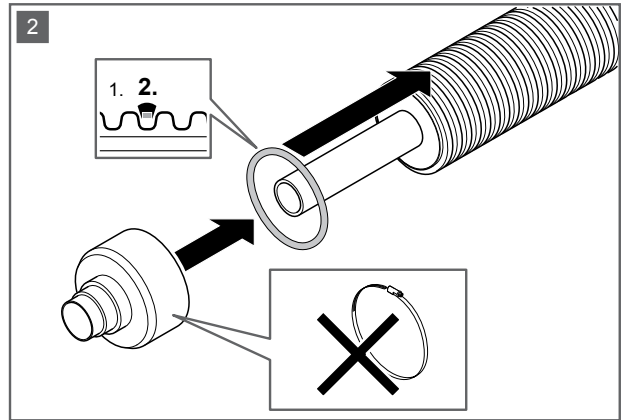
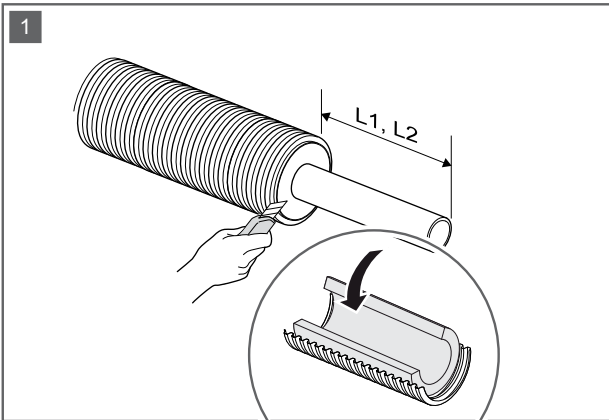


ZD0000033

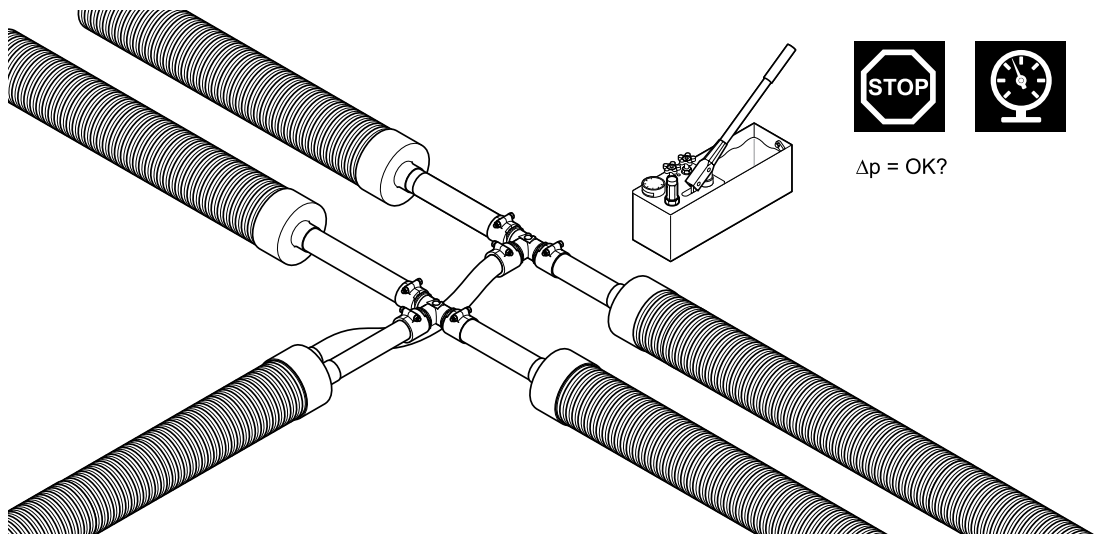
Outer diameter (OD), mm	L1, mm	L2, mm
140/145	300	900
175	400	1000
200	500	1100



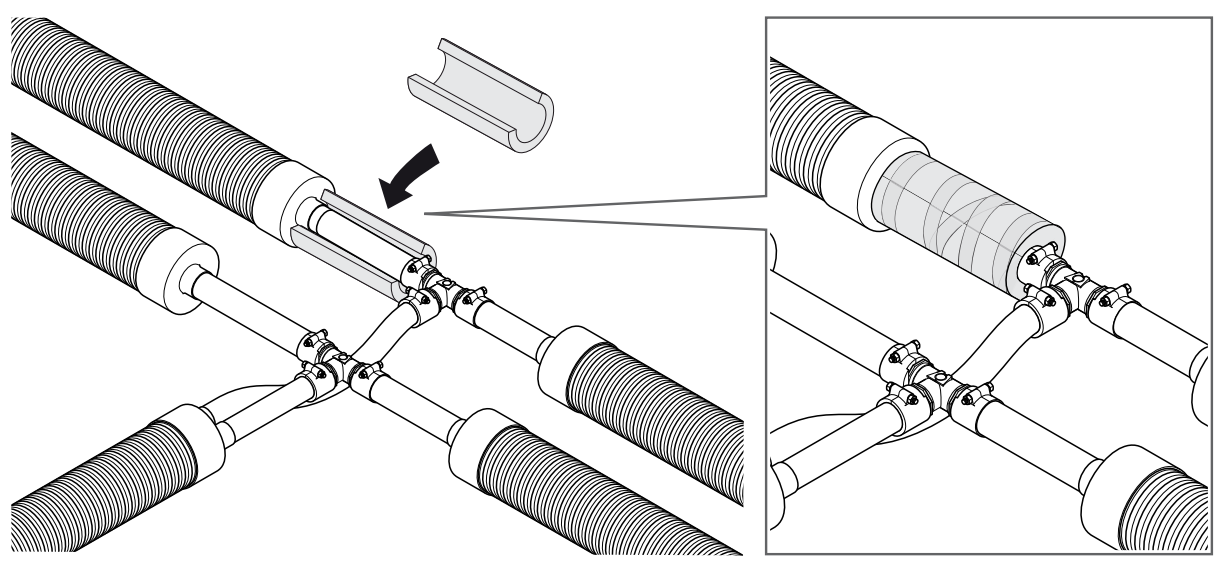
SD0000078



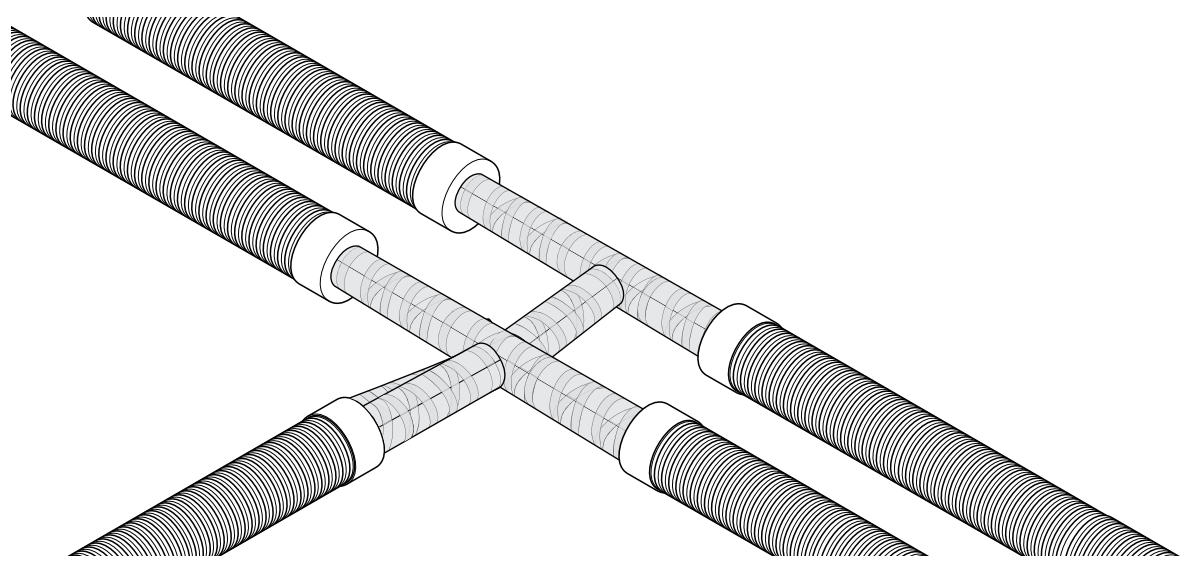
4



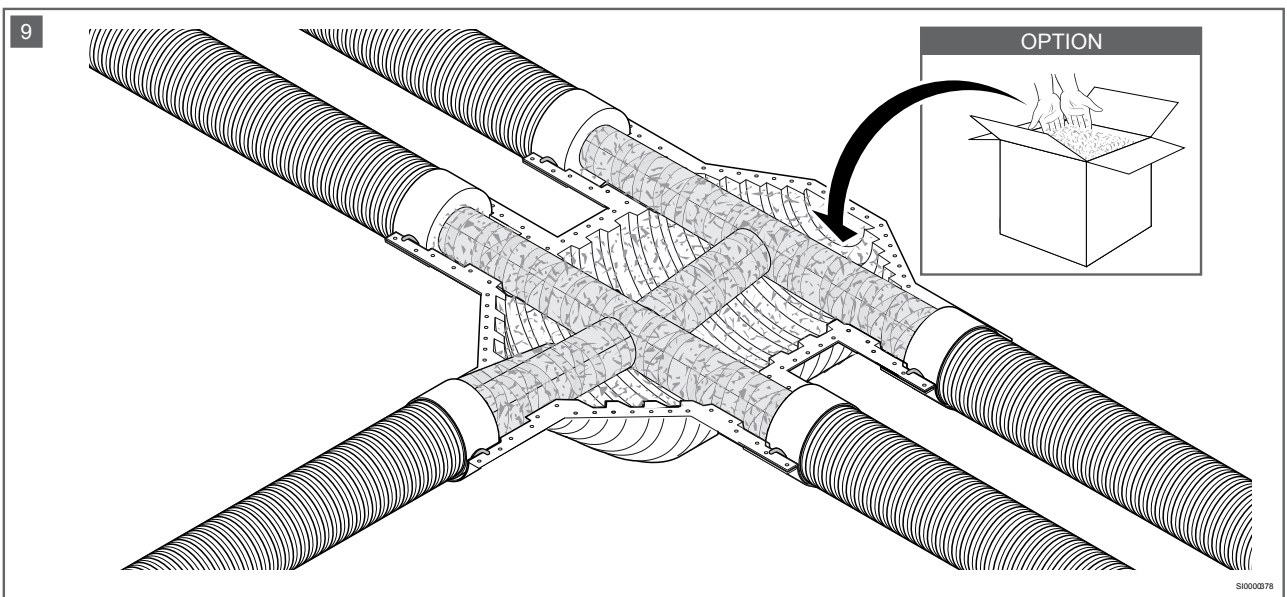
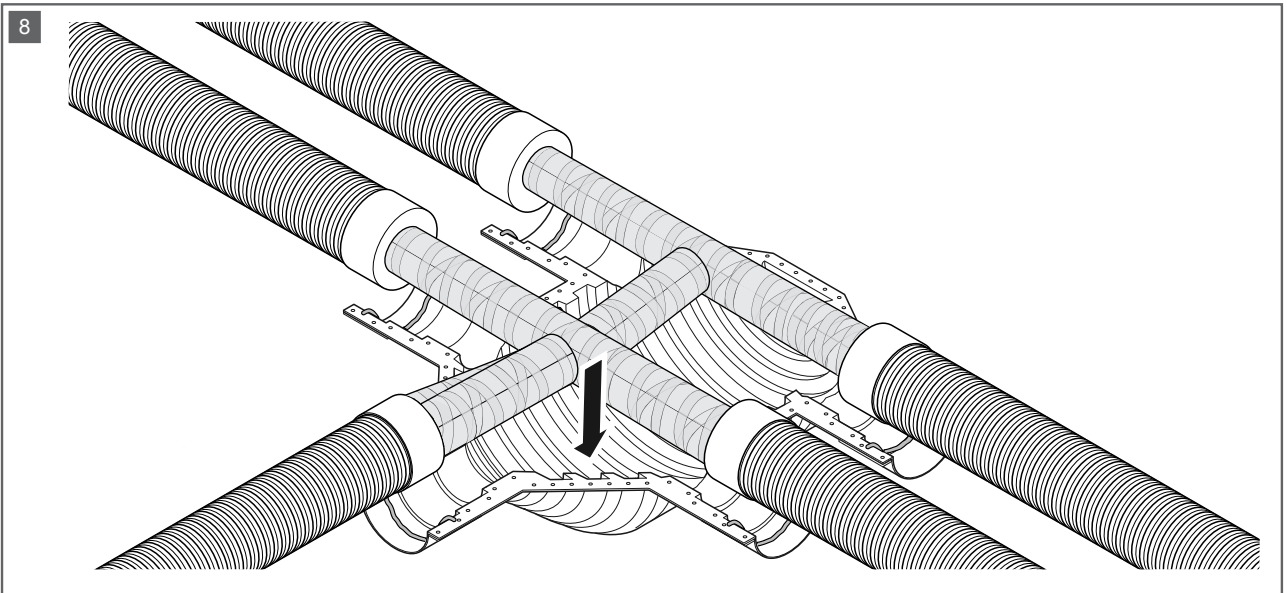
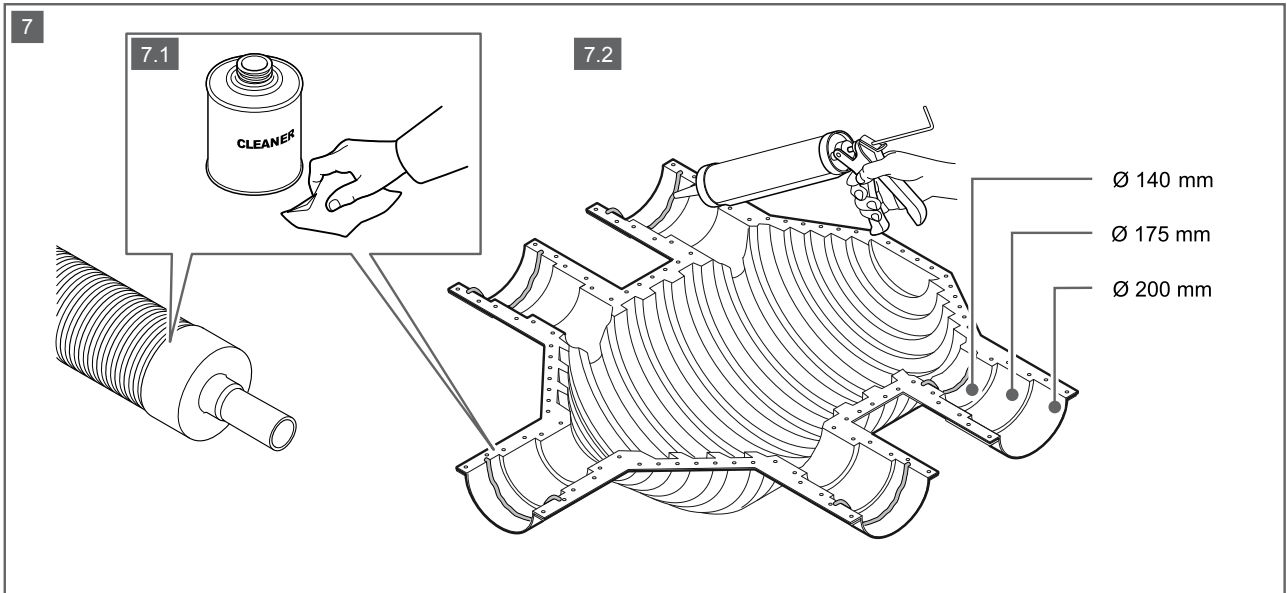
5



6

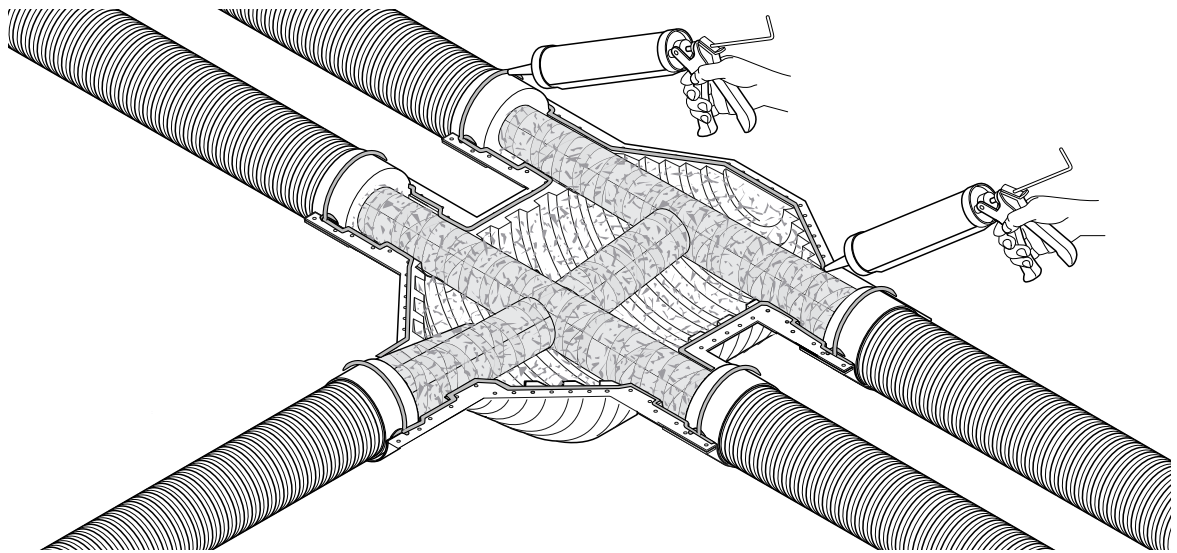


S1000077

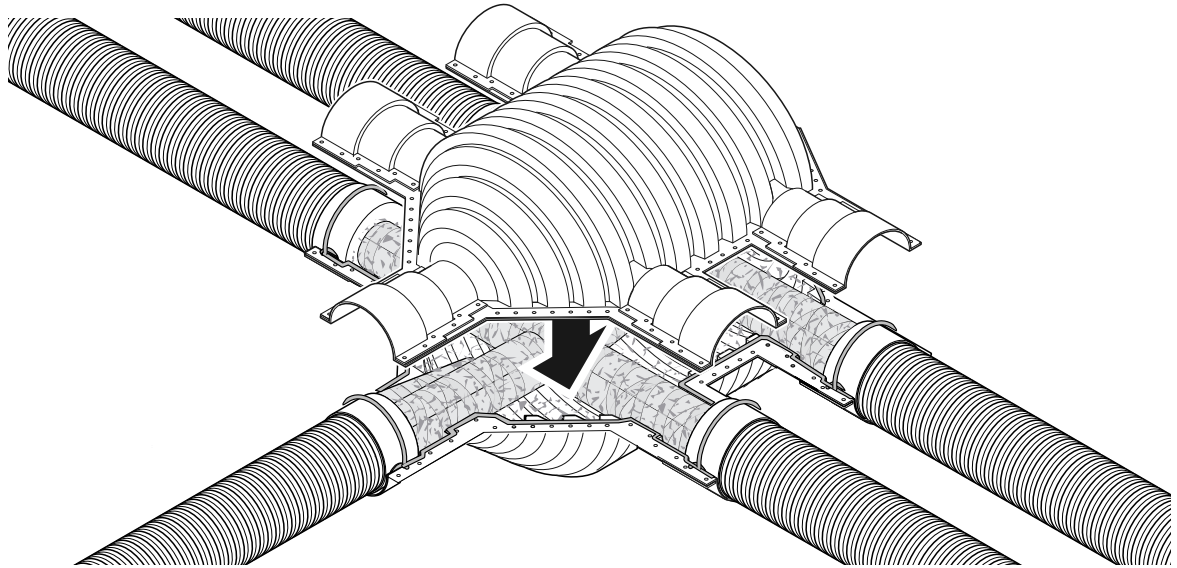


SI000078

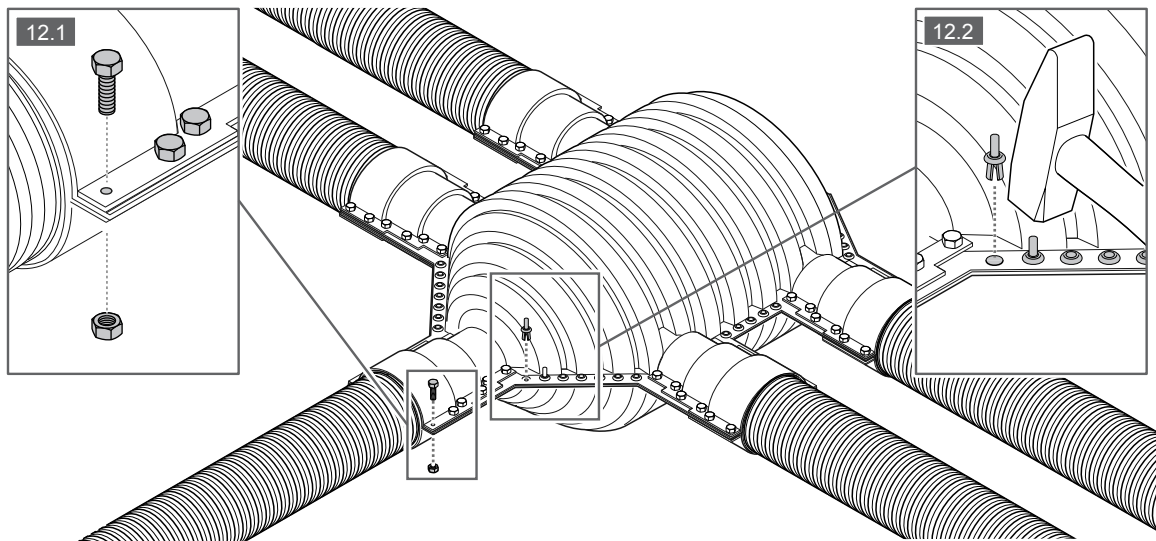
10



11



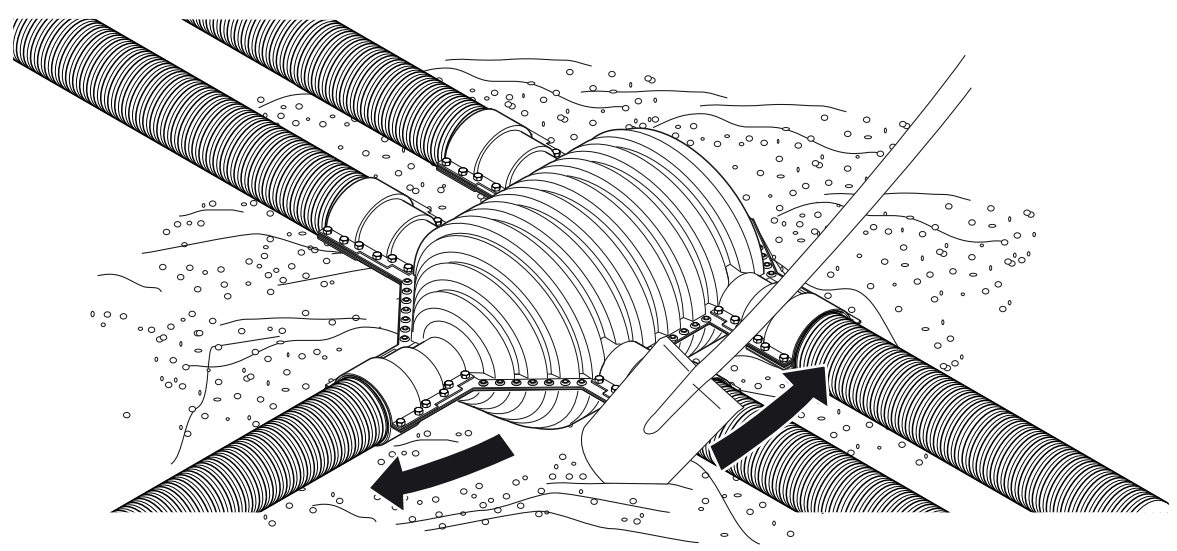
12



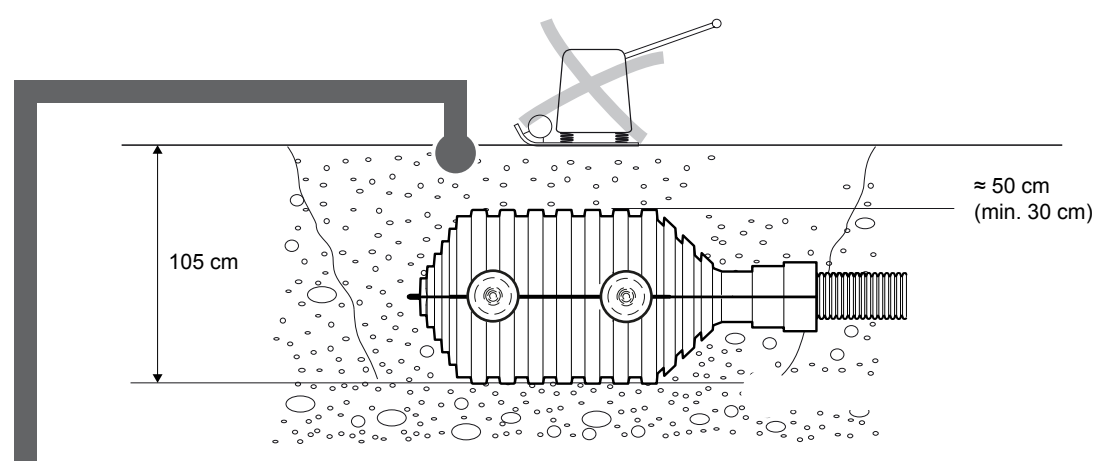
S1000079



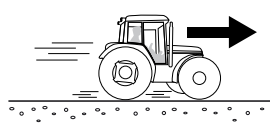
13



14

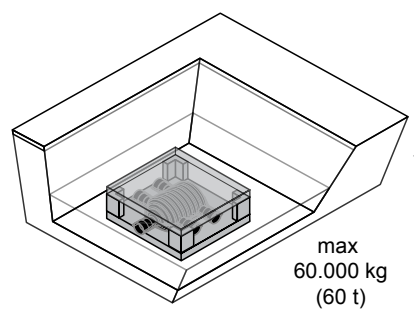
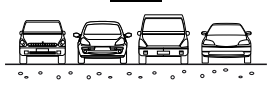


**DYNAMIC**

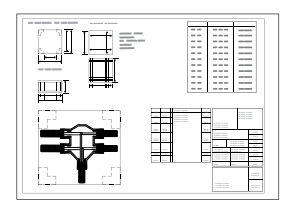


**STATIC**

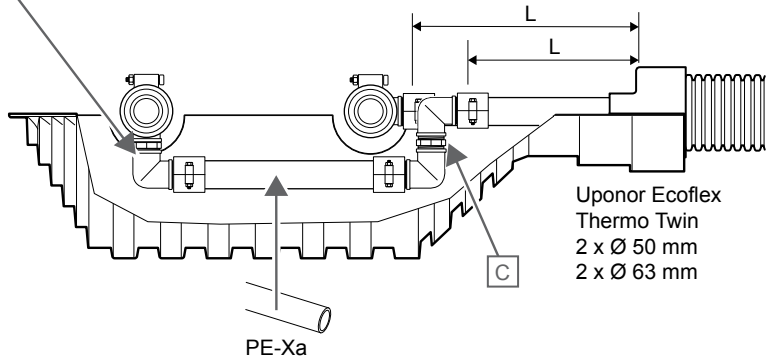
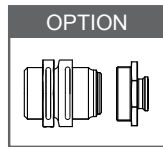
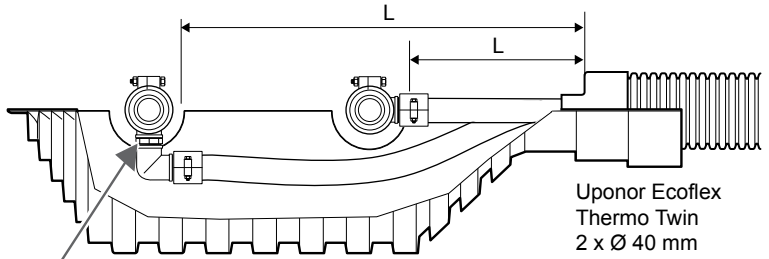
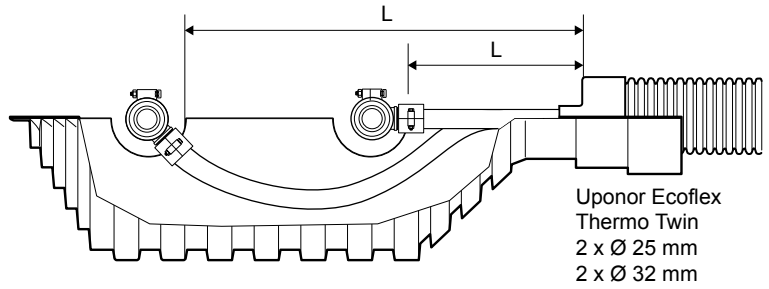
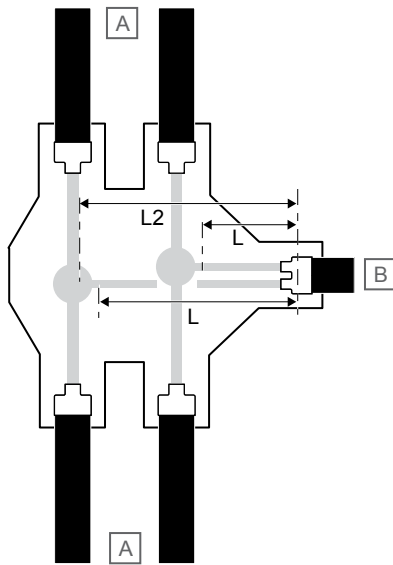
**P**



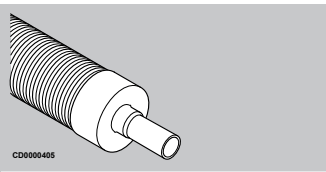
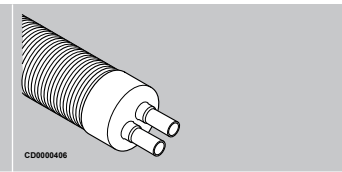
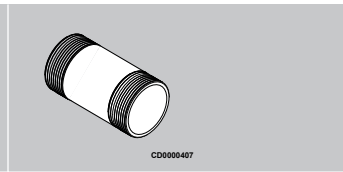
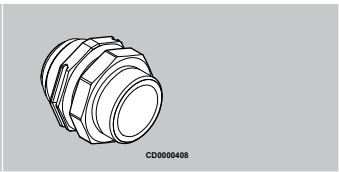
max  
60.000 kg  
(60 t)



S1000280



ZD000032

			
<b>A, Uponor Ecoflex ...</b> Thermo Single 75/200	<b>B, Uponor Ecoflex ...</b> Thermo Twin 2x50/200	<b>C</b> ~80 mm, R 1¼"	<b>C</b> —
	Thermo Twin 2x63/200	—	G 2"
Thermo Single 90/200	Thermo Twin 2x50/200	—	G 1¼", 120 mm
	Thermo Twin 2x63/200	~100 mm, R 2"	—
Thermo Single 110/200	Thermo Twin 2x50/200	—	G 1¼", 120 mm
	Thermo Twin 2x63/200	~100 mm, R 2"	—

**Uponor GmbH**

Industriestraße 56,  
D-97437 Hassfurt, Germany

1030601 v1\_08\_2020\_INT  
Production: Uponor/ELO

Uponor reserves the right to make changes, without prior notification,  
to the specification of incorporated components in line with its policy of  
continuous improvement and development.



[www.uponor.com](http://www.uponor.com)