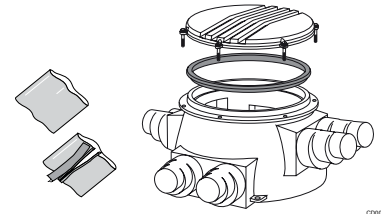
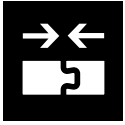
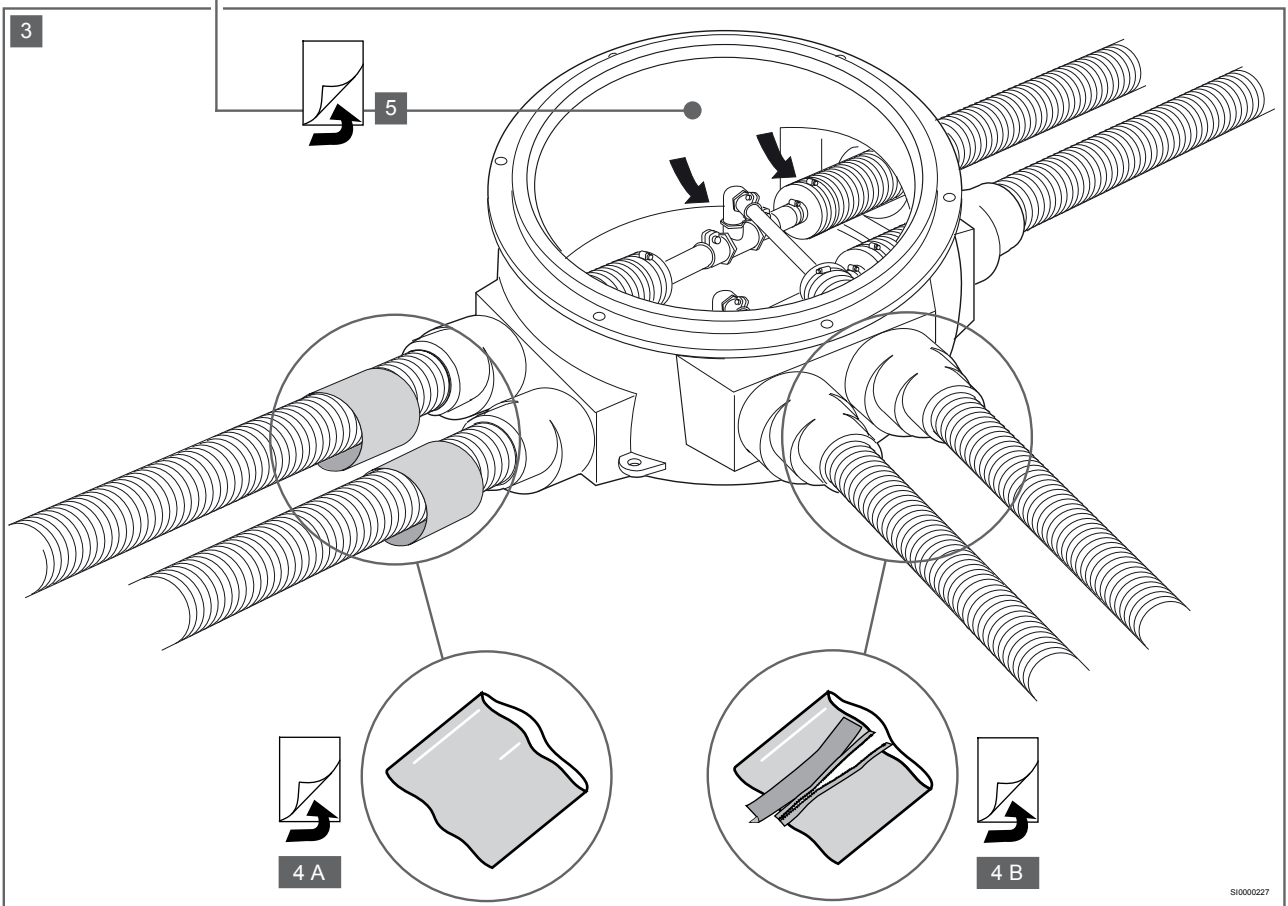
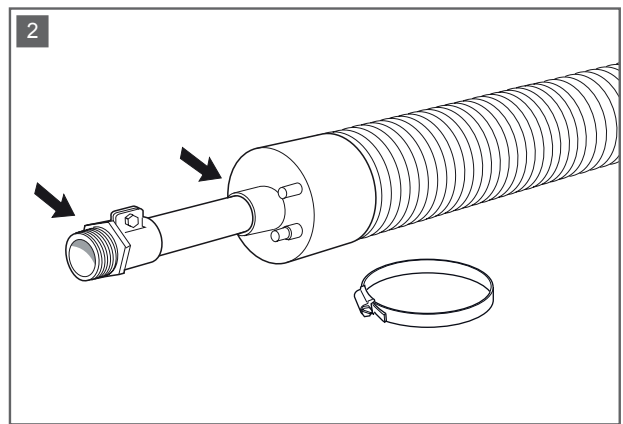
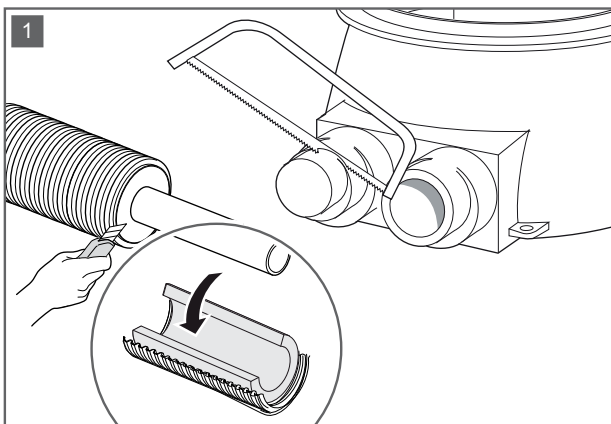


## Uponor Ecoflex chamber

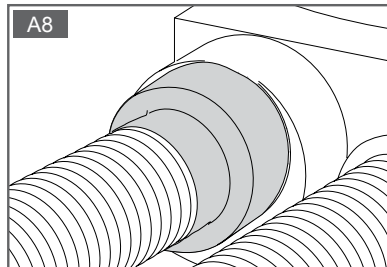
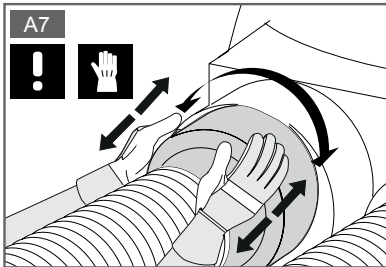
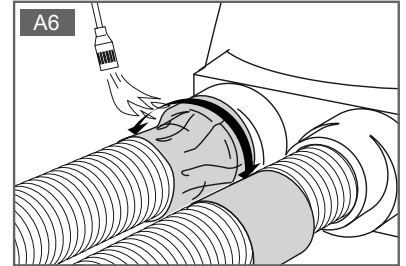
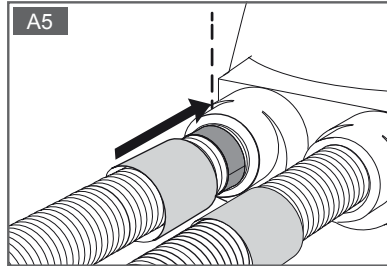
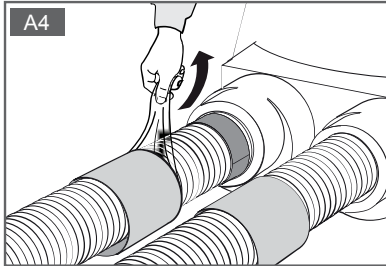
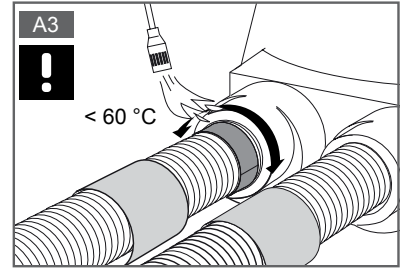
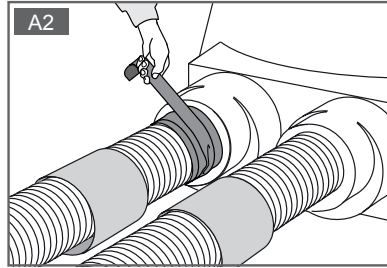
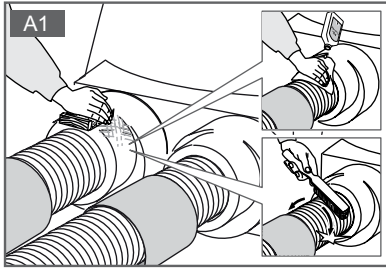


C0000213

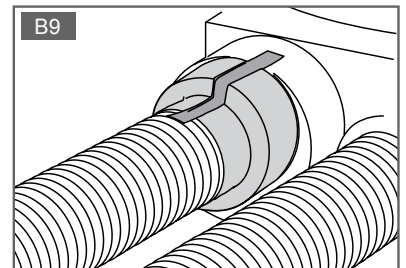
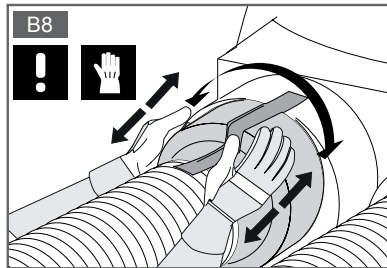
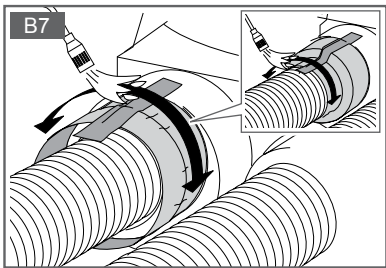
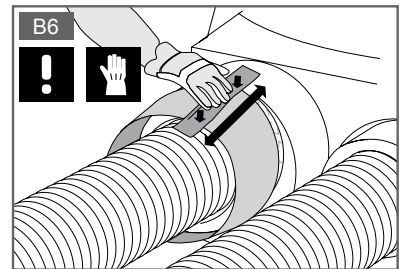
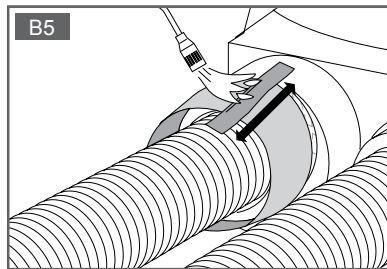
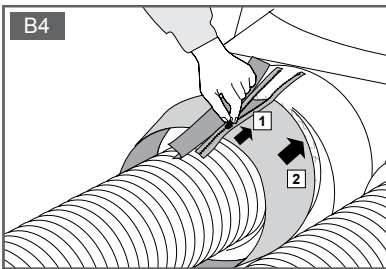
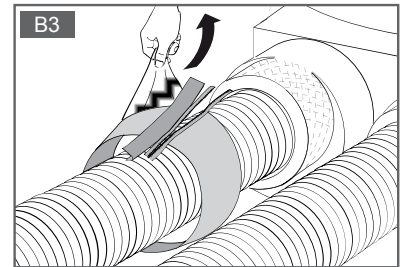
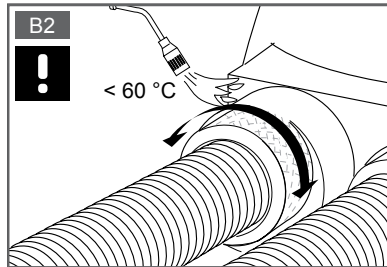
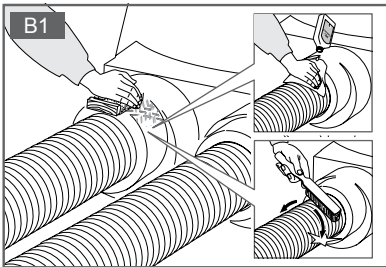


SI0000227

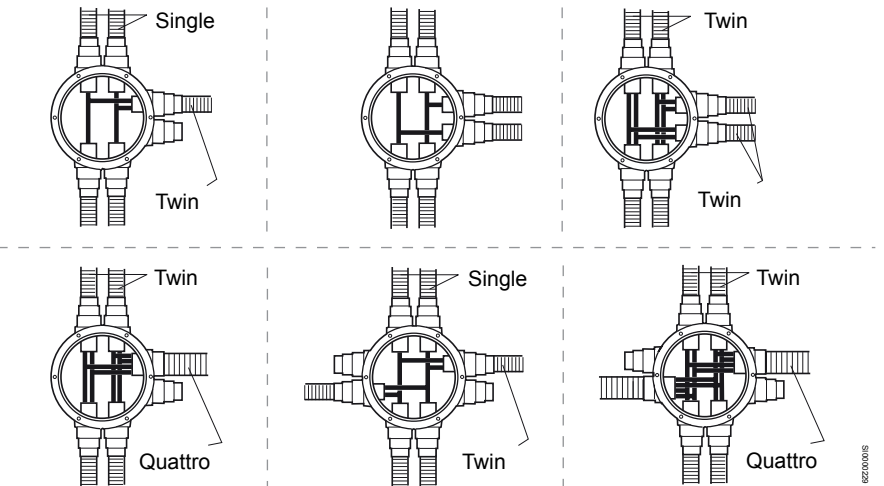
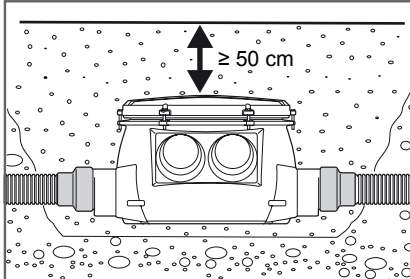
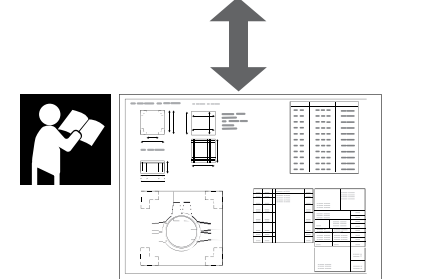
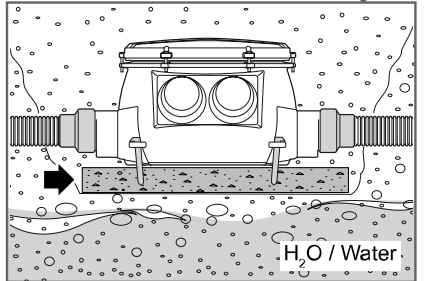
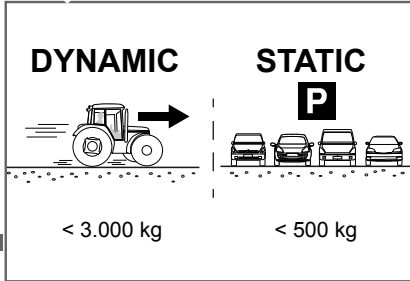
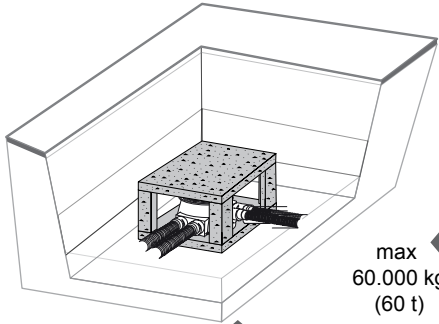
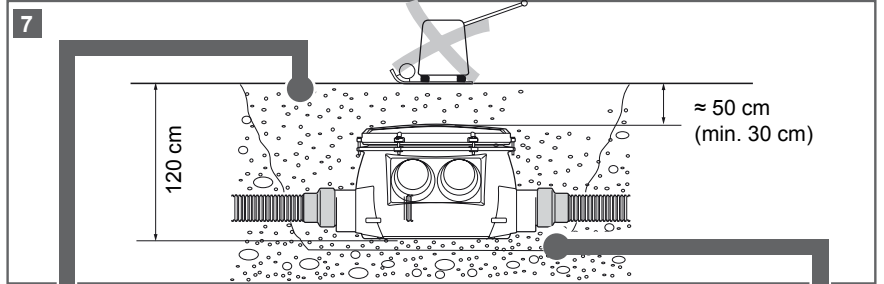
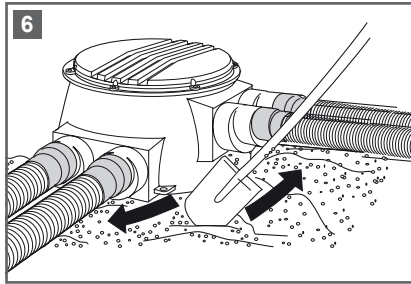
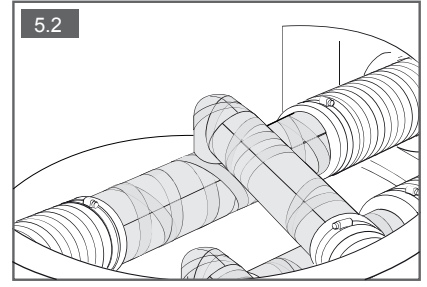
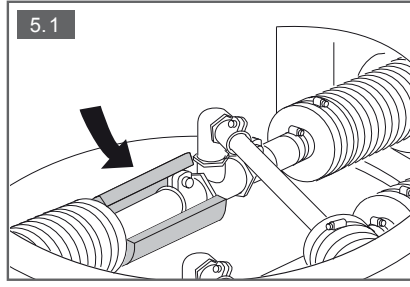
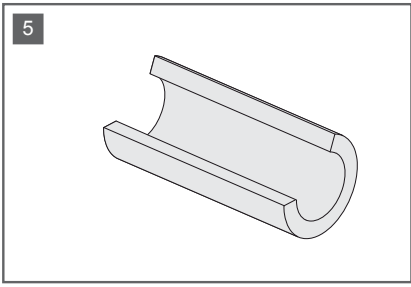
4 A



4 B



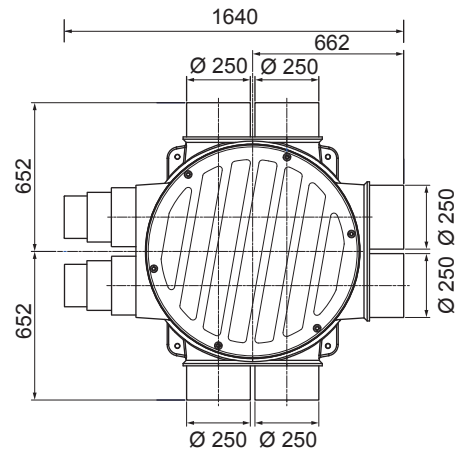
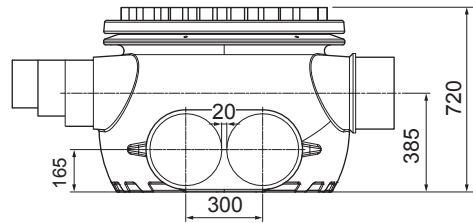
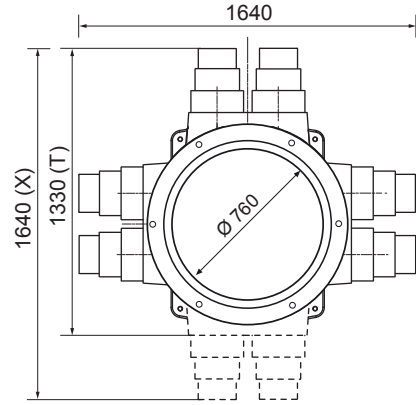
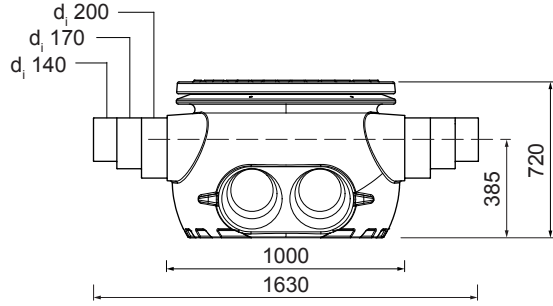
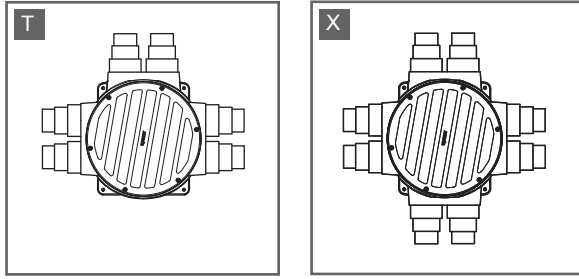
S10000228



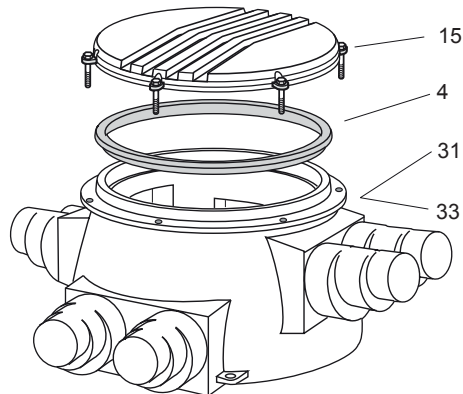
822000015



[mm]



[kg]



**ALL PIPE SYSTEMS**

Uponor Suomi Oy  
Nastola - Forssa

ZD0000048

## Uponor GmbH

Industriestraße 56,  
D-97437 Hassfurt, Germany

1071353 v5\_01\_2022\_INT  
Production: Uponor/ELO

Uponor reserves the right to make changes, without prior notification, to the specification of incorporated components in line with its policy of continuous improvement and development.



[www.uponor.com](http://www.uponor.com)