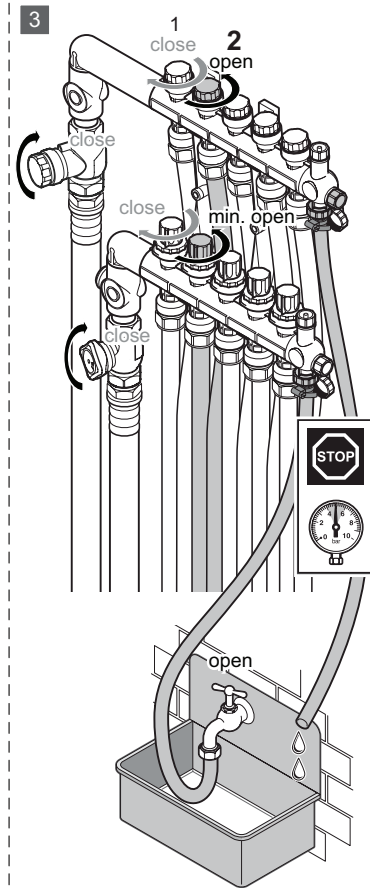
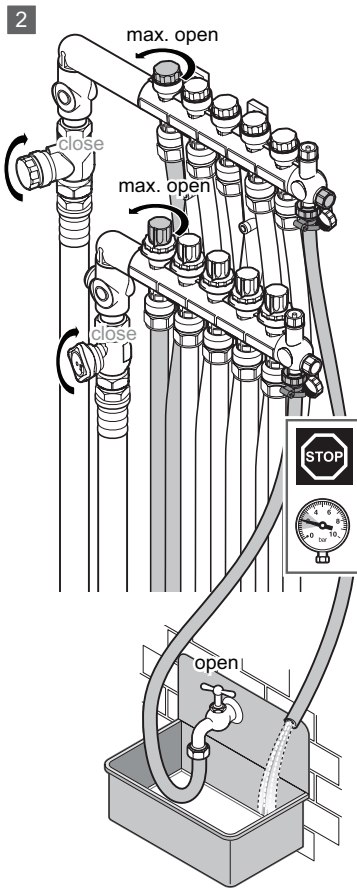
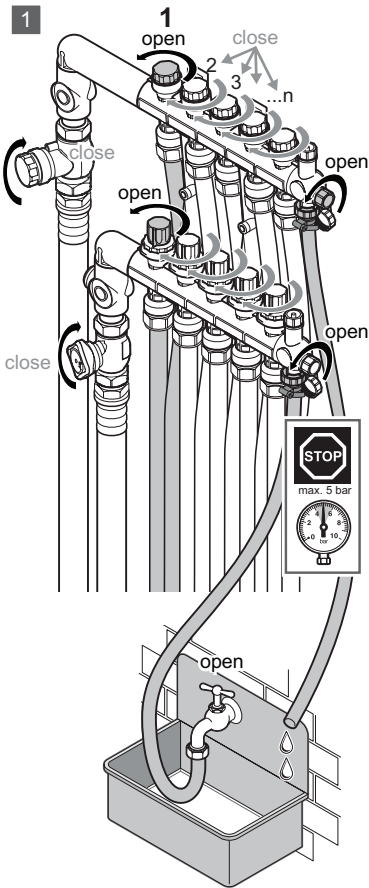
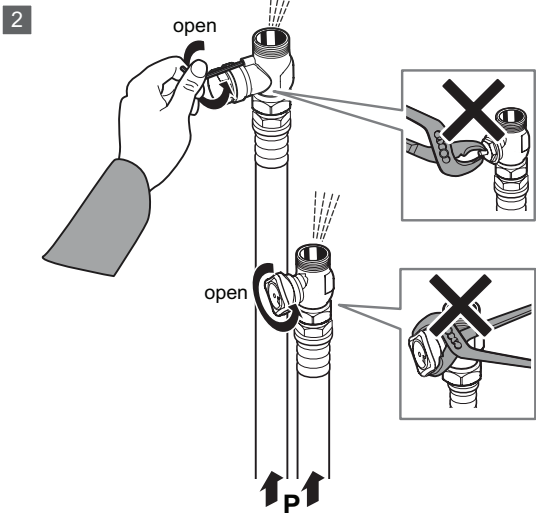
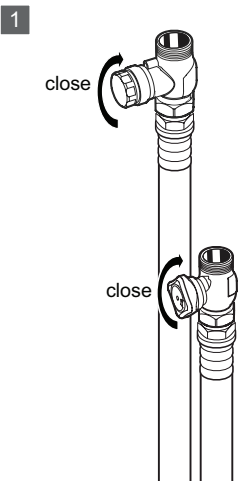
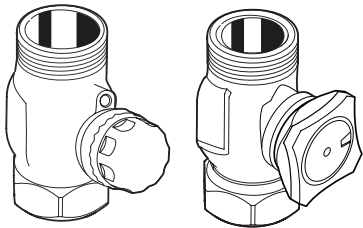
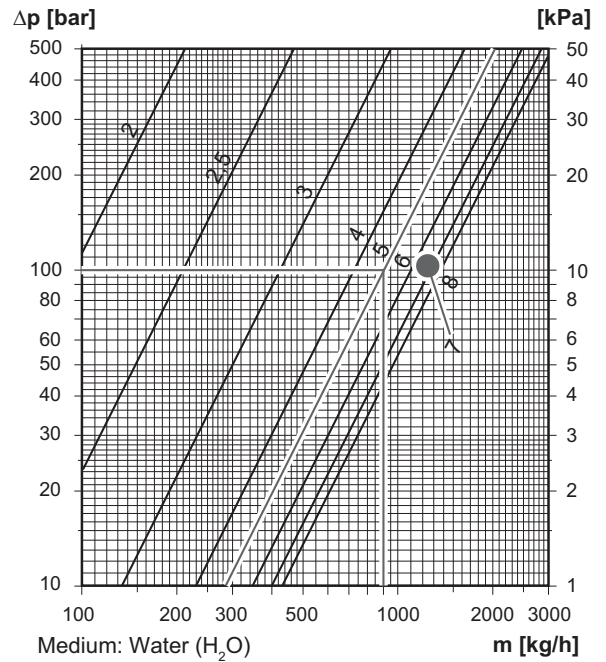
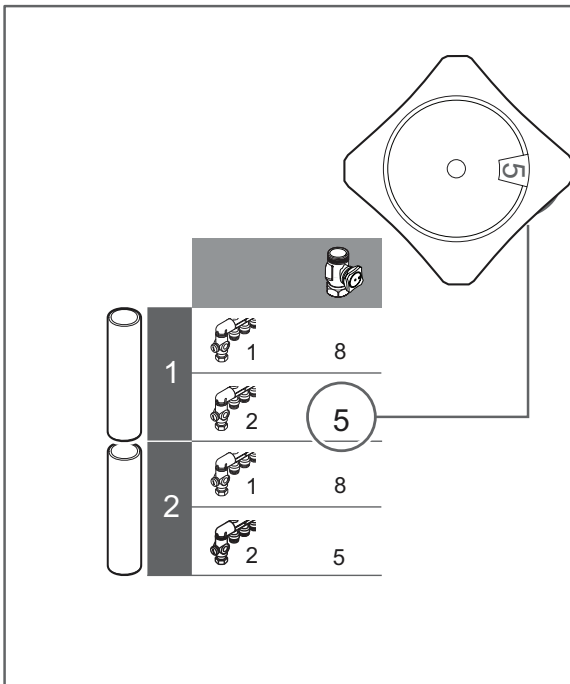
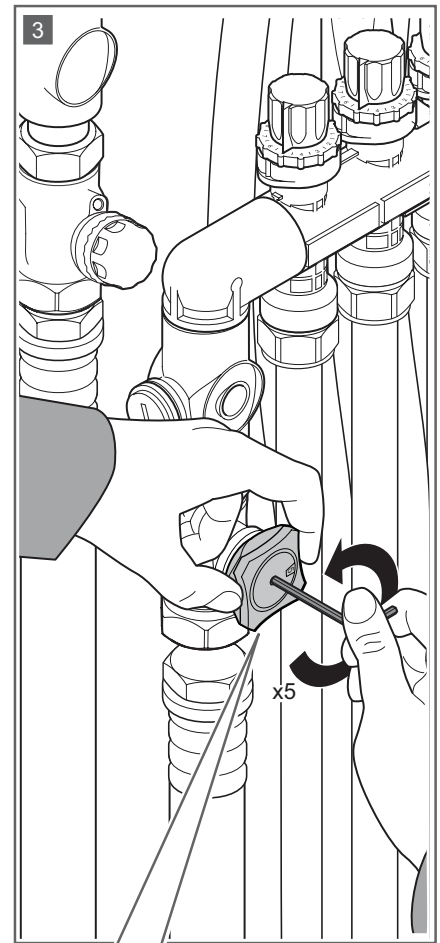
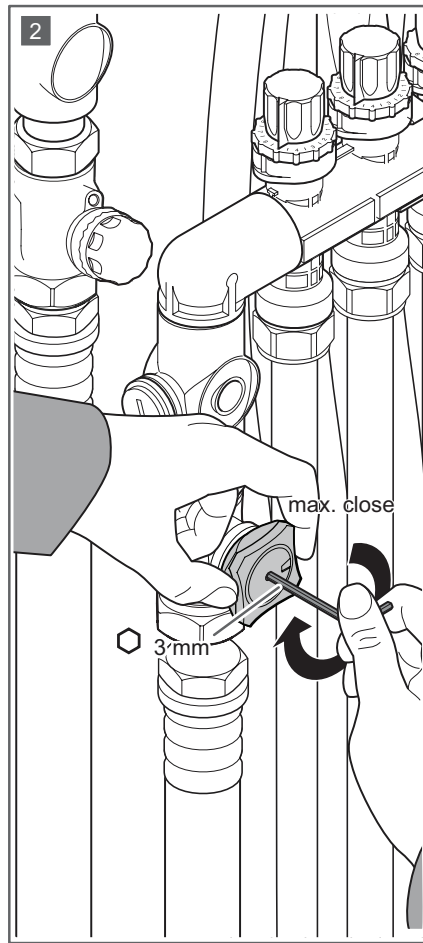
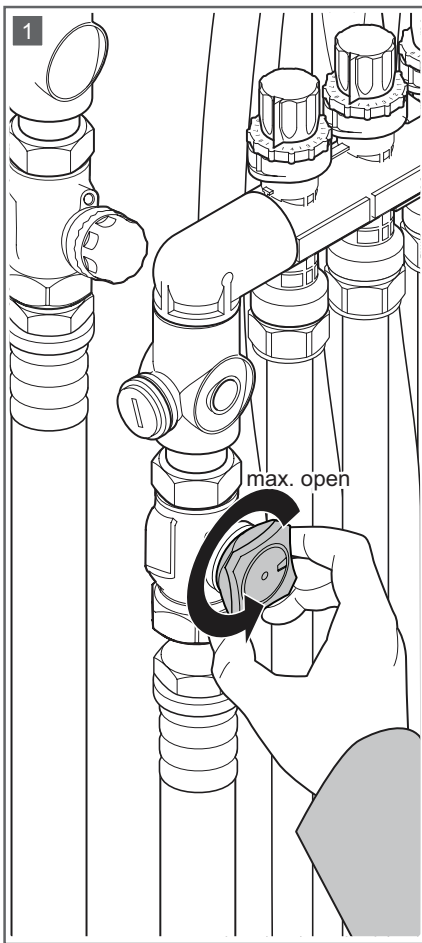


## Uponor Vario balancing valves G1-Rp1





## Uponor GmbH

Industriestraße 56,  
D-97437 Hassfurt, Germany

1140470 v1\_04\_2023 INT  
Production: Uponor / SKA

Uponor reserves the right to make changes, without prior notification, to the specification of incorporated components in line with its policy of continuous improvement and development.



[www.uponor.com](http://www.uponor.com)