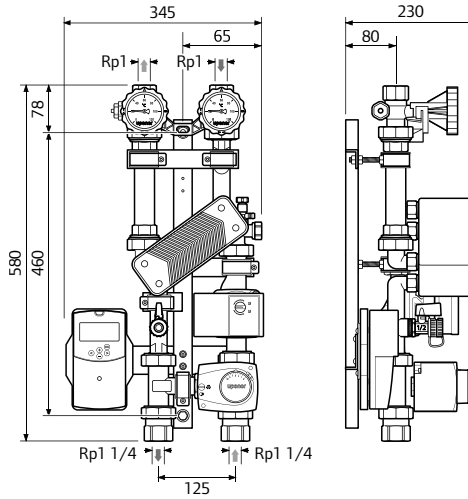
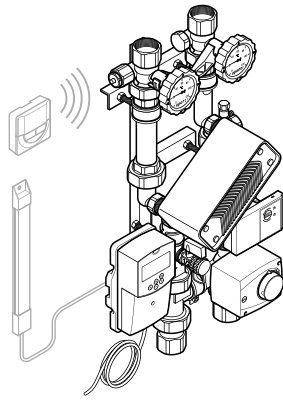


# Uponor Fluvia Move PLUS Pumpgroup EPG

# Uponor



$Q_{max} = 6 \text{ kW}$



$\vartheta_{sec} = 15 - 55^\circ \text{C}$



$kvs = 8 \text{ m}^3/\text{h}$



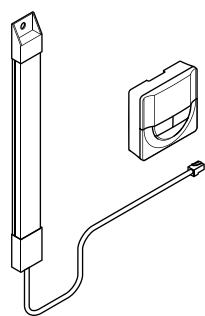
$P_{max} = 6 \text{ bar}$



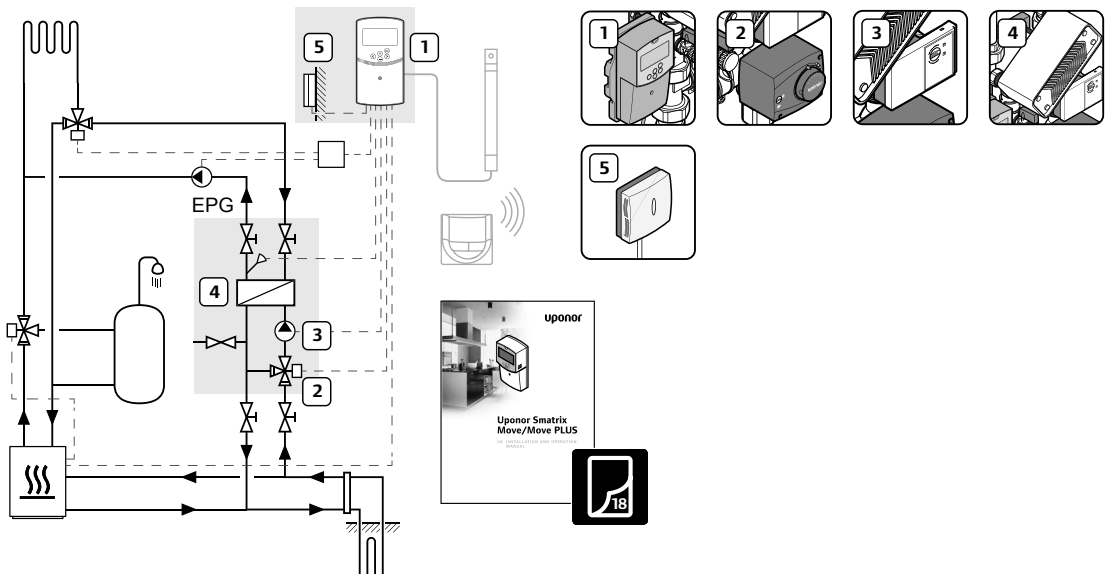
15 Ltr/h

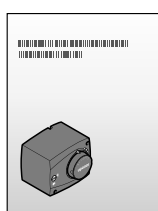
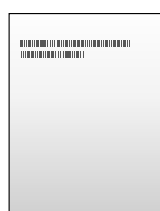
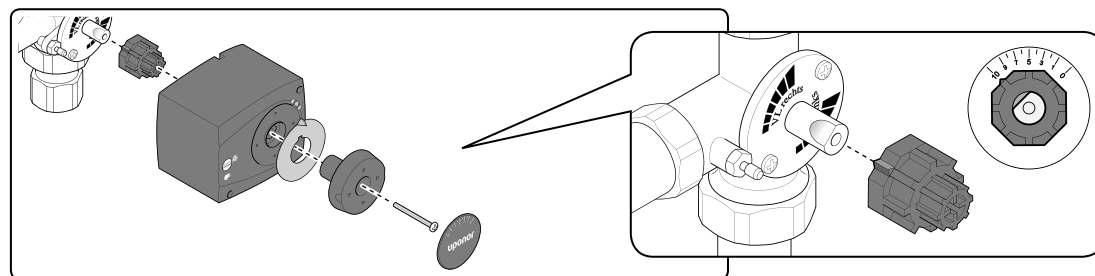
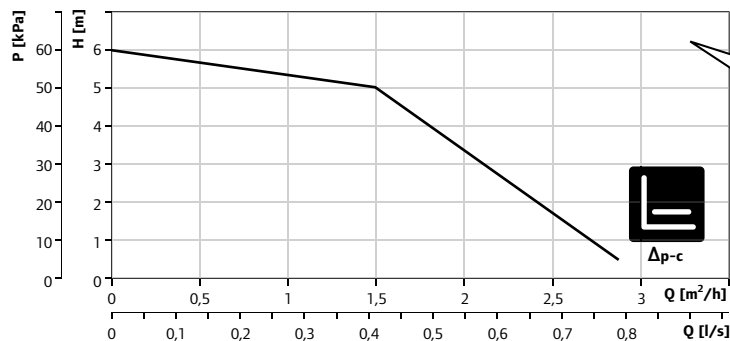
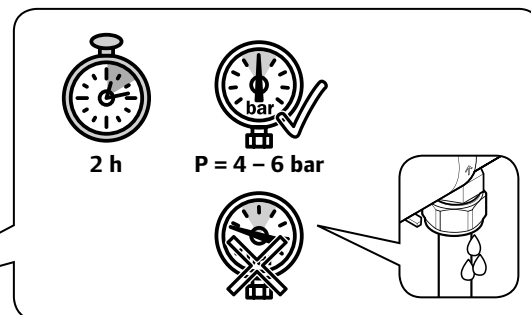
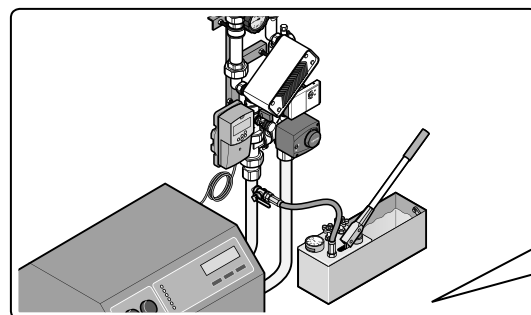
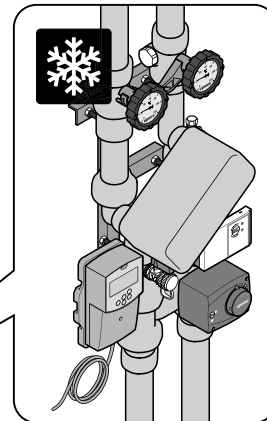
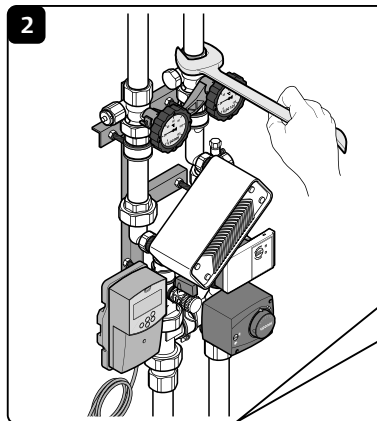
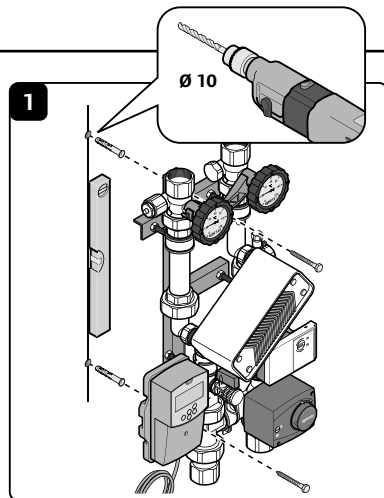


1071676



T-168  
1071689





**Uponor Corporation**  
www.uponor.com

Uponor reserves the right to make changes, without prior notification, to the specification of incorporated components in line with its policy of continuous improvement and development.

**uponor**