



ESBE AB  
Bruksgatan 22  
SE-333 75 Reftele  
www.esbe.eu



Auxiliary Switch Kit  
**SERIE 90**



Series 91  
Series 92  
Series 92-2  
Series 93  
Series 94  
Series 95

Series 95-2  
Series 96  
Series 97  
Series 98  
Series 93P

CE LVD 2014/35/EU  
EMC 2014/30/EU  
RoHS3 2015/863/EU

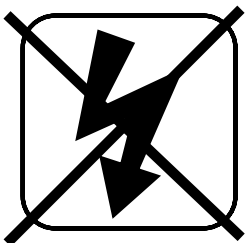
UK CA SI 2016 No. 1101  
SI 2016 No. 1091  
SI 2012 No. 3032



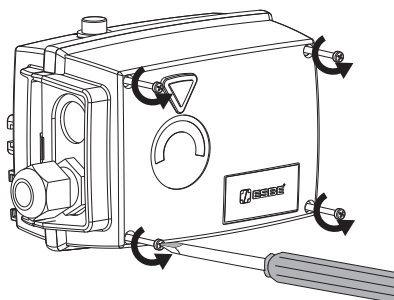
Serie 90

Mtrl.nr: 9814 09 47 • Ritn.nr: 9271 vers. B • Rev. 2022-12-07

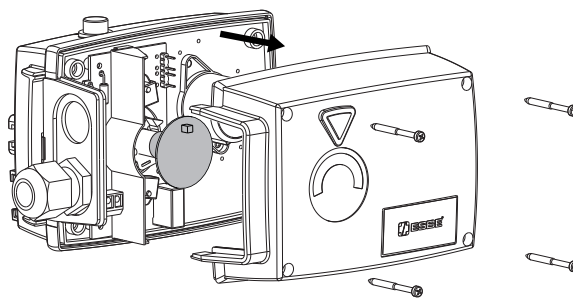
1



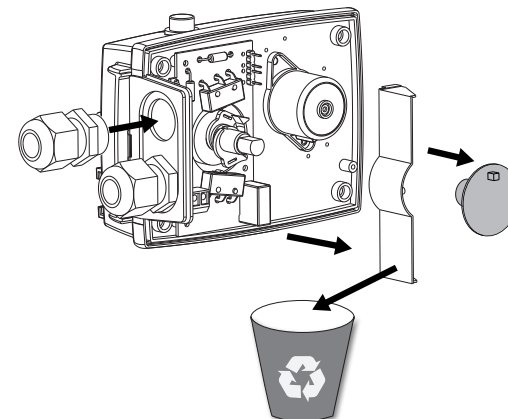
2



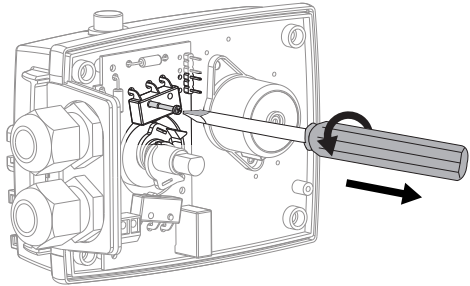
3



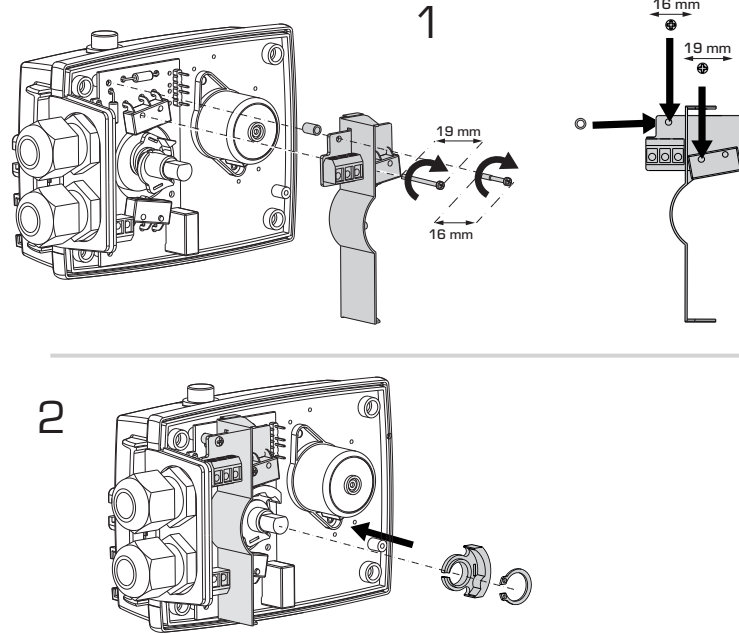
4



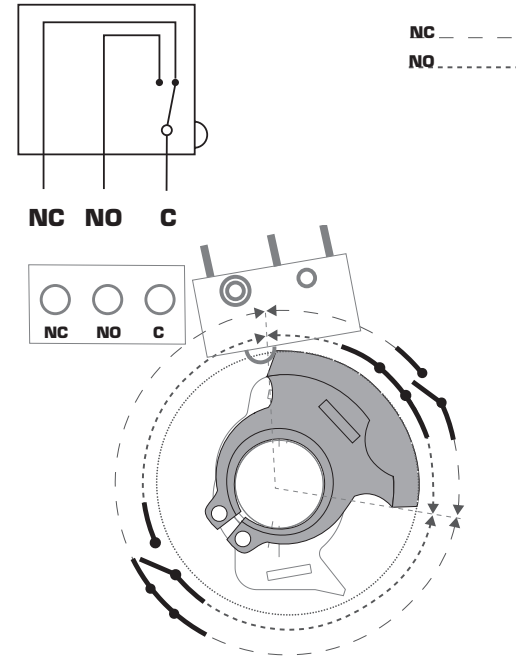
5 



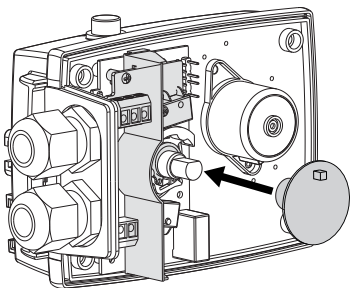
6 



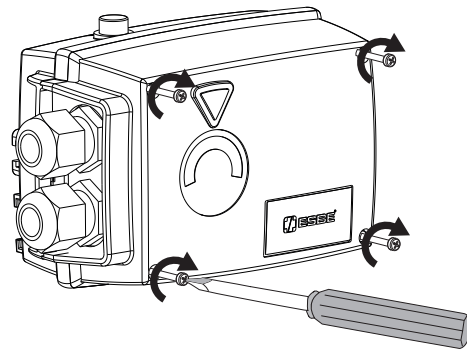
i



7 



8 



9

