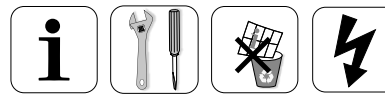


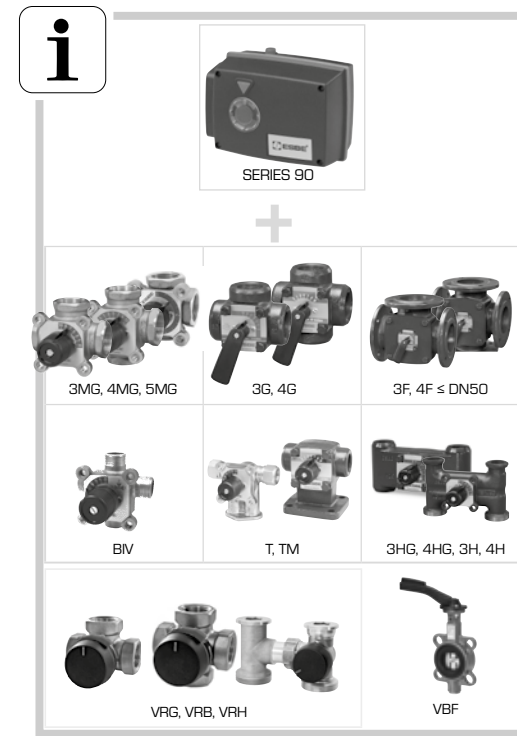
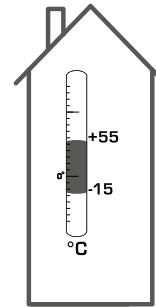


Actuator
SERIES 90



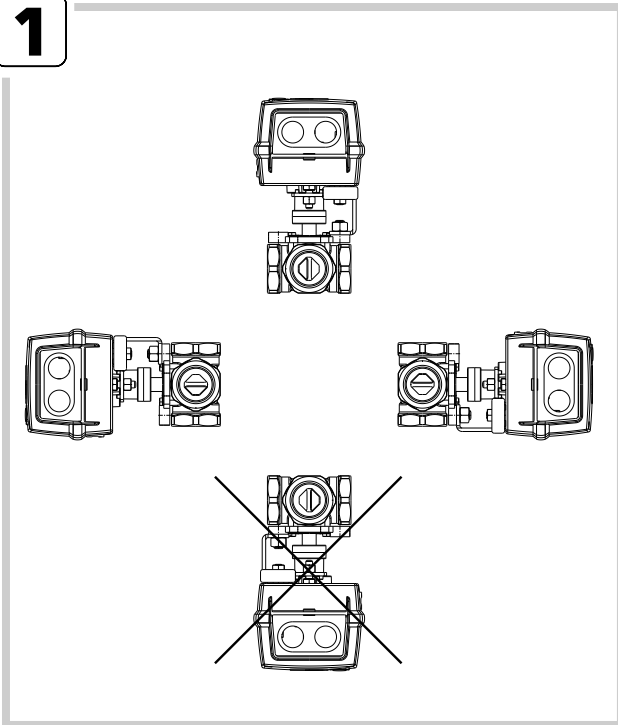
Series 90

CE
LVD 2014/35/EU
EMC 2014/30/EU
RoHS 2011/65/EU

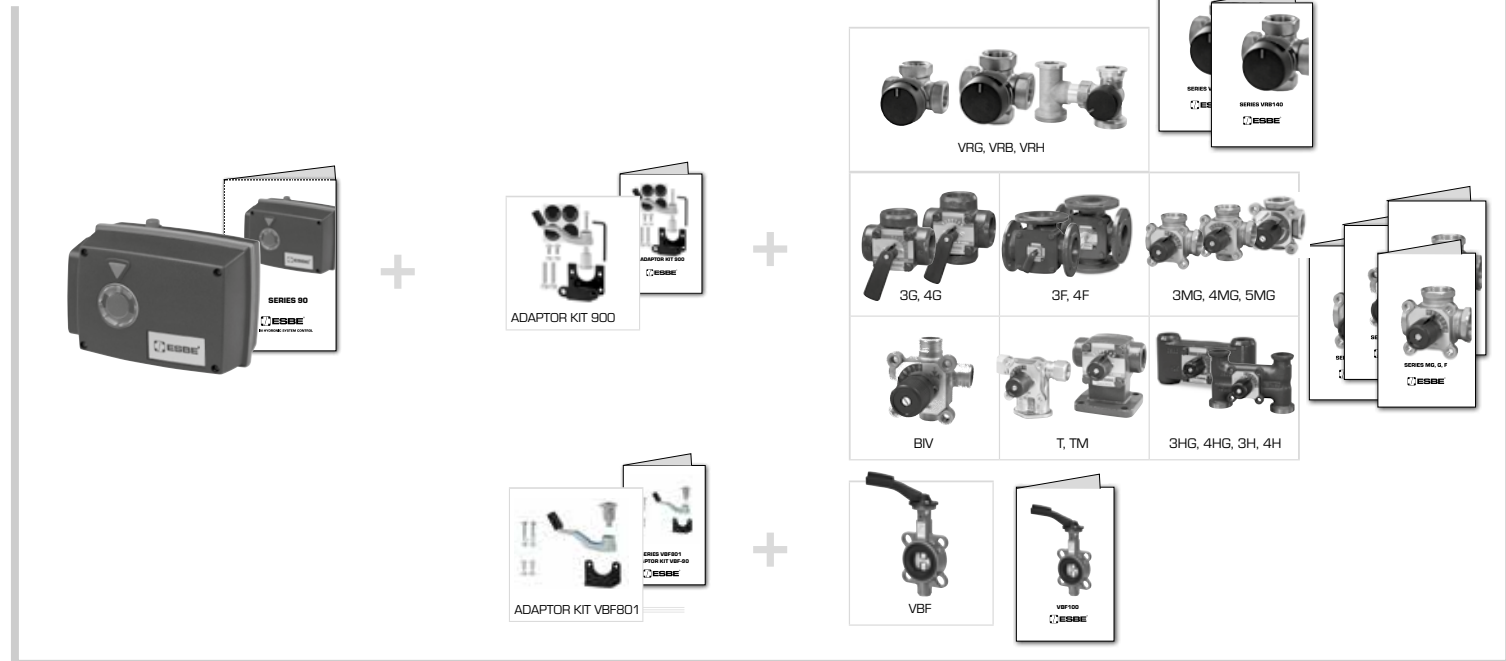
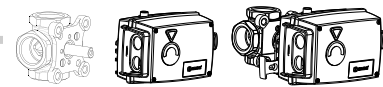


Mtrl.nr: 9814 01 50 • Ritn.nr: 3399 vers. J • Rev. 2020-10-27

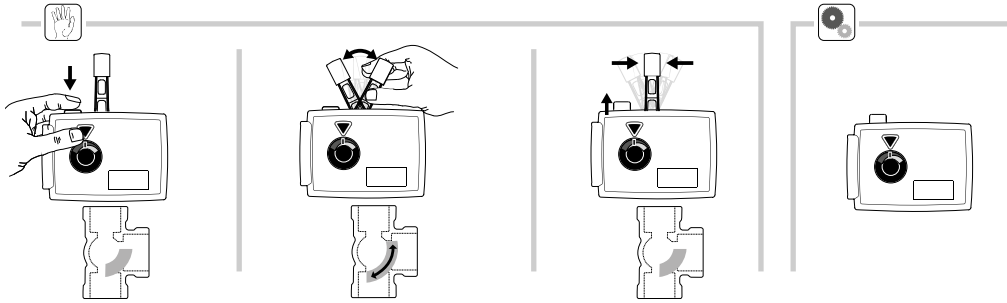
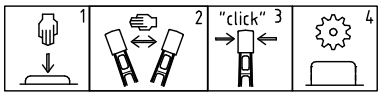
1



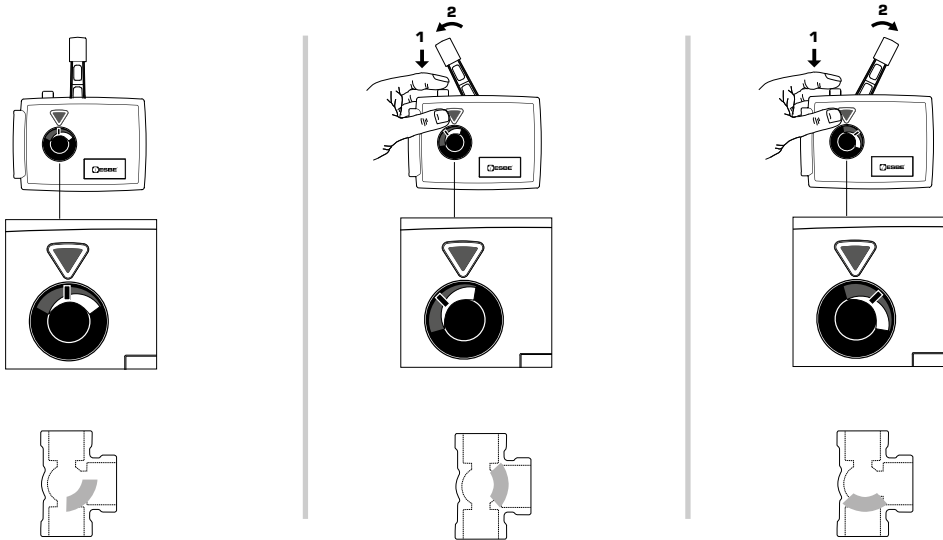
i



2a

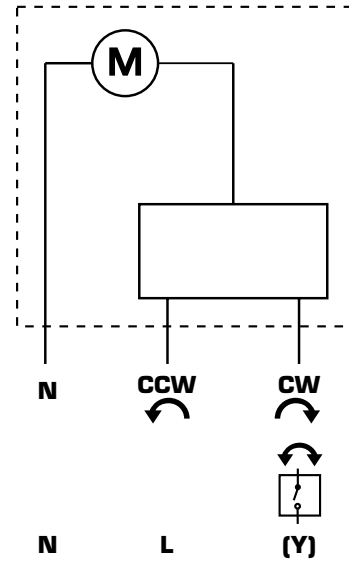


2b

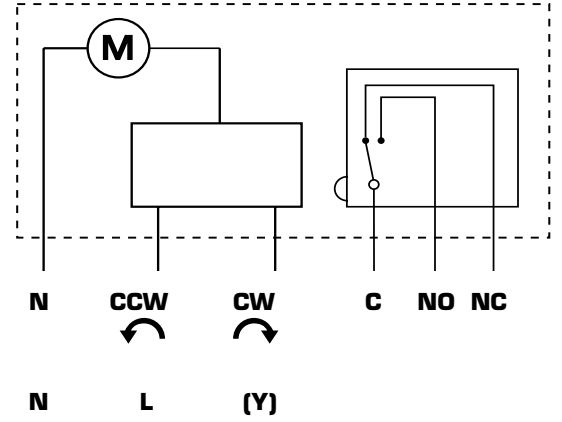


3

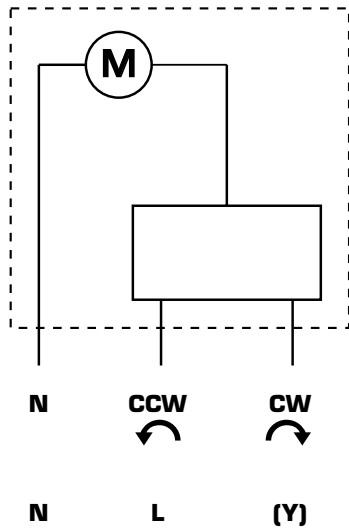
97 - 98



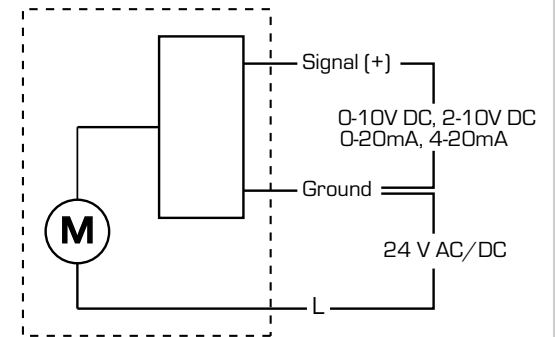
91M - 96M



91 - 96, 90SL



90P

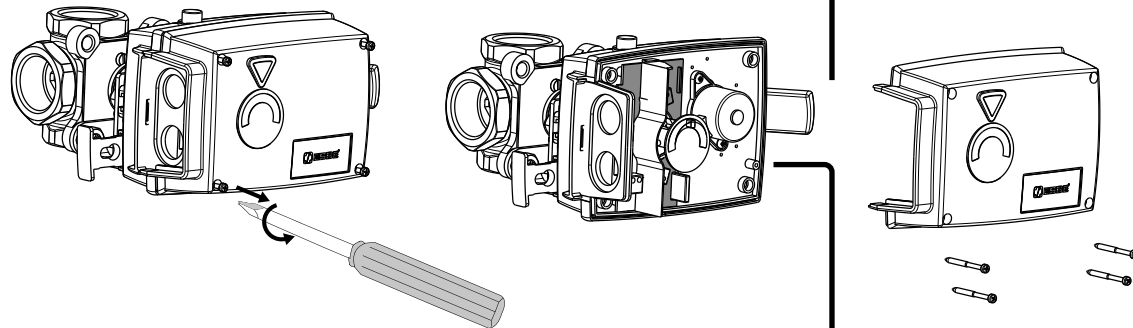




90P



90P



90P (90° / 120s)

- 1
 - 2 /
 - 3
 - 4 /
-
- 5
 - 6
 - 7
 - 8 VM

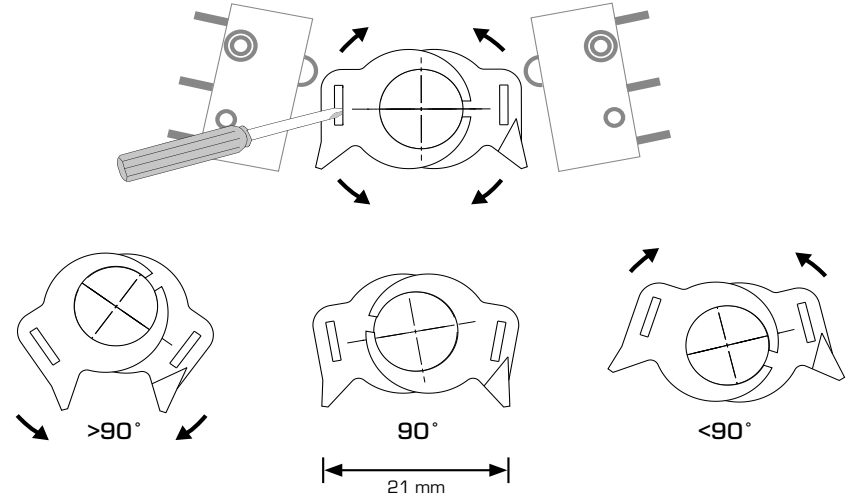
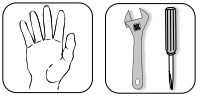


90P

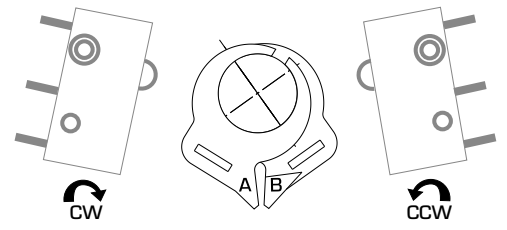
<p>→ ON</p> <input checked="" type="checkbox"/> 1 <input type="checkbox"/> 2 <input checked="" type="checkbox"/> 3 <input checked="" type="checkbox"/> 4 <input checked="" type="checkbox"/> 5 <input checked="" type="checkbox"/> 6 <input checked="" type="checkbox"/> 7 <input checked="" type="checkbox"/> 8	<p>90P (90°)</p> <input checked="" type="checkbox"/> 1 <input checked="" type="checkbox"/> / <input type="checkbox"/> 2	<p>90P (180°)</p> <input checked="" type="checkbox"/> 1 <input type="checkbox"/> 2			<p>90P (355°)</p> <input checked="" type="checkbox"/> 1 <input checked="" type="checkbox"/> 2				
	<input checked="" type="checkbox"/> 3 120 s <input checked="" type="checkbox"/> / <input type="checkbox"/> 4	<input checked="" type="checkbox"/> 3 90 s <input checked="" type="checkbox"/> 4	<input checked="" type="checkbox"/> 3 60 s <input checked="" type="checkbox"/> 4	<input checked="" type="checkbox"/> 3 240 s <input checked="" type="checkbox"/> / <input type="checkbox"/> 4	<input checked="" type="checkbox"/> 3 180 s <input checked="" type="checkbox"/> 4	<input checked="" type="checkbox"/> 3 120 s <input checked="" type="checkbox"/> 4	<input checked="" type="checkbox"/> 3 390 s <input checked="" type="checkbox"/> / <input type="checkbox"/> 4	<input checked="" type="checkbox"/> 3 260 s <input checked="" type="checkbox"/> 4	<input type="checkbox"/> 3 130 s <input checked="" type="checkbox"/> 4
	<input checked="" type="checkbox"/> 5 ↻	<input checked="" type="checkbox"/> 5 ↻							
	<input checked="" type="checkbox"/> 6 0-10 V <input checked="" type="checkbox"/> 7	<input checked="" type="checkbox"/> 6 2-10 V <input checked="" type="checkbox"/> 7	<input checked="" type="checkbox"/> 6 0-5 V <input checked="" type="checkbox"/> 7	<input checked="" type="checkbox"/> 6 1-5 V <input checked="" type="checkbox"/> 7	<input checked="" type="checkbox"/> 6 0-20 mA <input checked="" type="checkbox"/> 7	<input checked="" type="checkbox"/> 6 4-20 mA <input checked="" type="checkbox"/> 7	<input checked="" type="checkbox"/> 6 0-10 mA <input checked="" type="checkbox"/> 7	<input type="checkbox"/> 6 2-10 mA <input checked="" type="checkbox"/> 7	
	<input checked="" type="checkbox"/> 8 VM	<input checked="" type="checkbox"/> 8 CM							



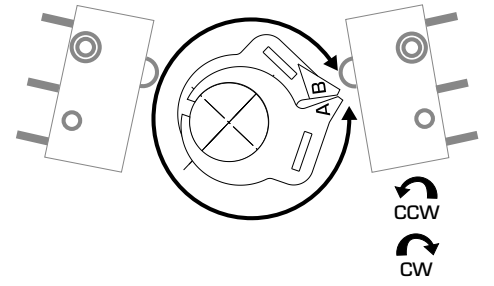
90P



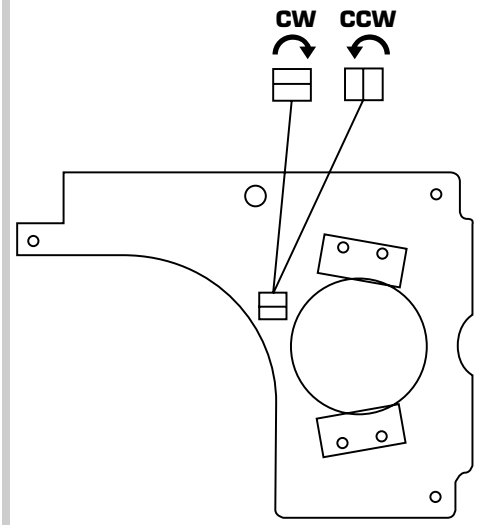
(▷)180



(▷)355°



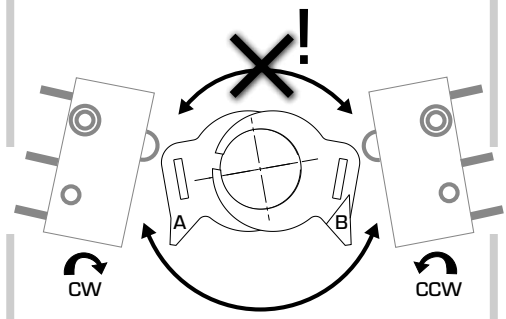
97 - 98



91-96, 91M-96M, 90SL, 97-98



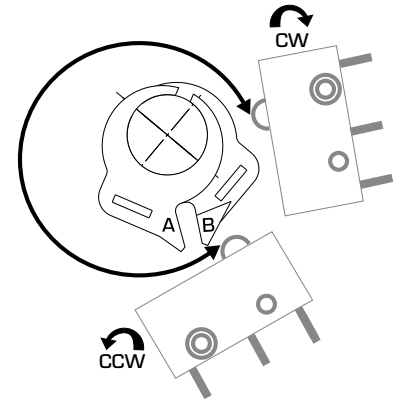
(▷)90°



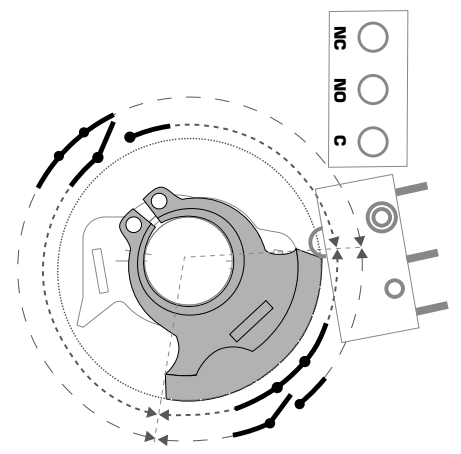
95-270M



(▷)270°



91M-96M, 95-270M



NC — — —

NO - - - -