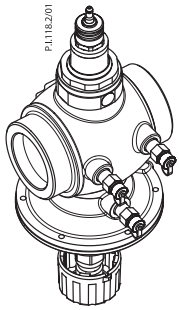
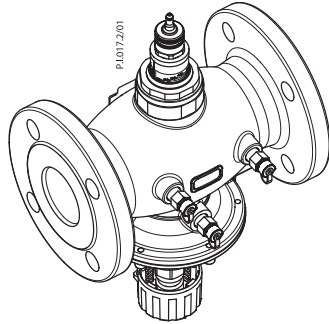


Operating Guide

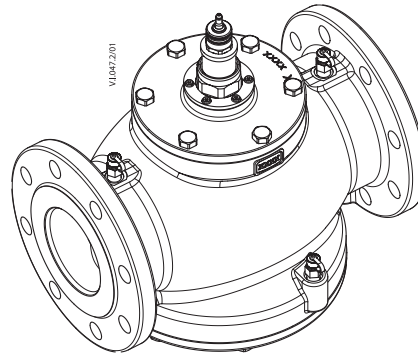
AB-QM DN 40-100



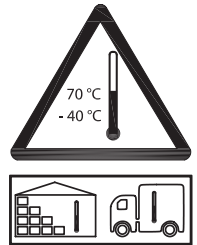
DN 40/50



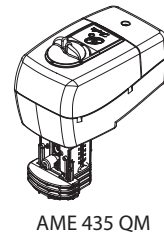
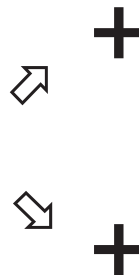
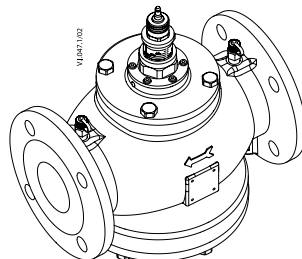
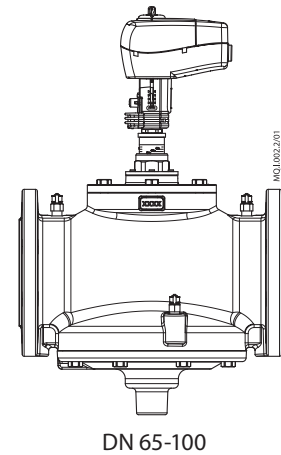
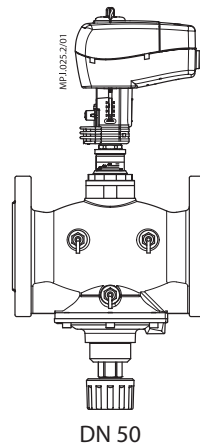
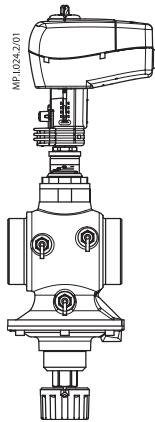
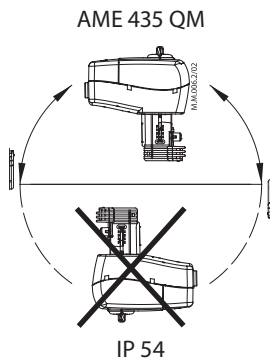
DN 50



DN 65-100



Installation / Montering / Einbau / Installation / Installatie / Installation / Asennus / Montaż / Uzstādīšana / Beépítés / Montaj / Монтаж / Instalace / 安装 / Vgradnja / Instalación / Montavimas

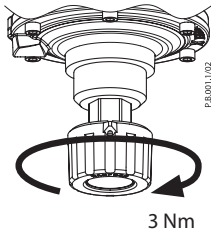


Code No.: 003Z0695

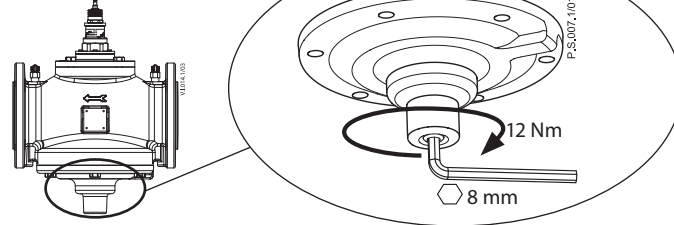
AB-QM DN 40-100

Shut off / Afspærring / Absperrung / Fermeture / Afsluiten / Avstängning / Sulkuventtiili / Funkcja odcięcia / Aizvēršana / Elzárás / КАРМА / Отключение / Uzavření / 关闭 / Zapiranje pretoka / Corte / Uždarymas

DN 40, DN 50
Δp max = 16 bar



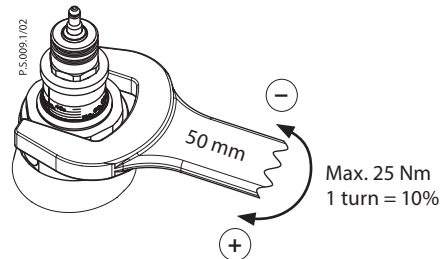
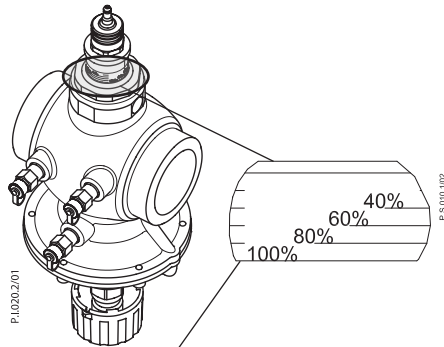
DN 65-100
Δp max = 16 bar



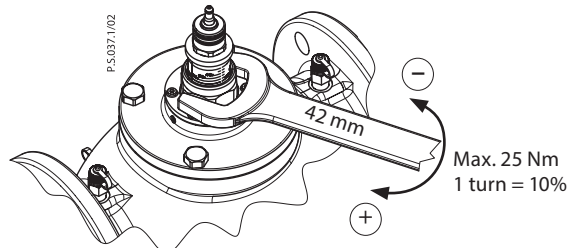
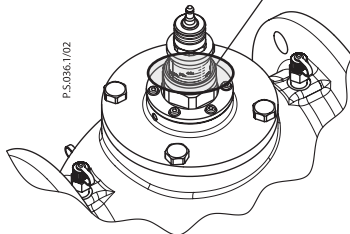
Setting / Indstilling / Einstellung / Réglage / Instelling / Inställning / Asettelu / Wykonywanie nastawy / Iestādījumi / Beállítás / Ayarlama / Настройка / Nastavení / 设定 / Nastavitev / Ajuste / Nustatymas

Note: best before applying pressure

DN 40/50

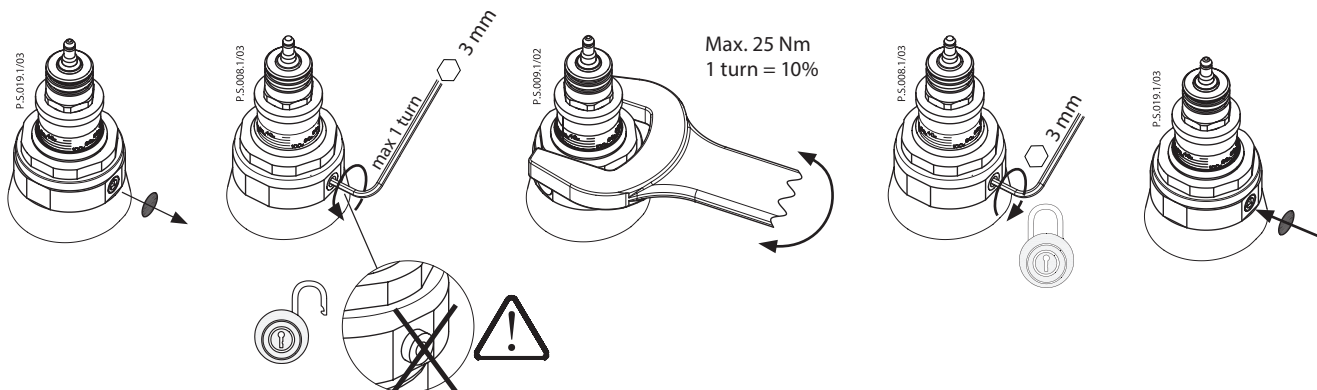


DN 65-100



Resetting

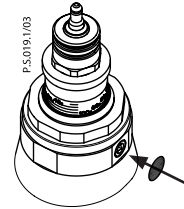
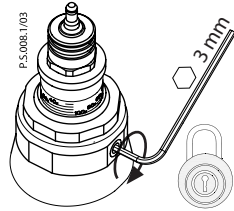
DN 40-100



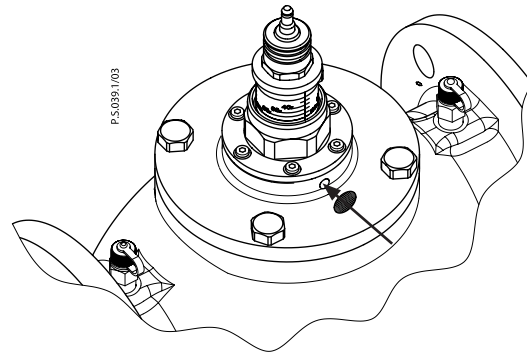
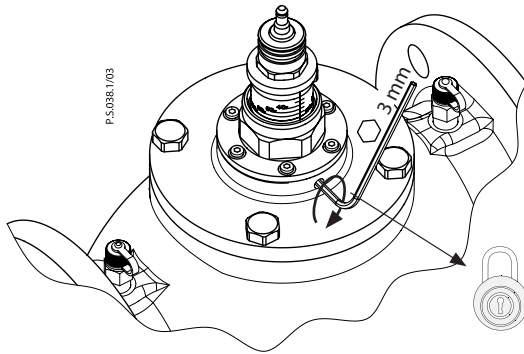
AB-QM DN 40-100

Locking / Låsning / Blockierung / Verrouillage / Vergrendelen / Låsning / Lukitseminen / Blokowanie nastawy / Noslėgšana / Korlátozás / Kilitle / Блокировка / Uzamykání / 锁定 / Blokiranje / Bloqueo / Blokavimas

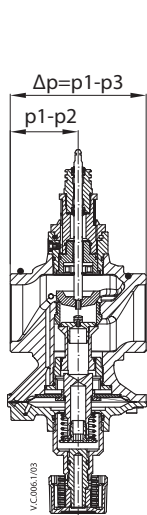
DN 40/50



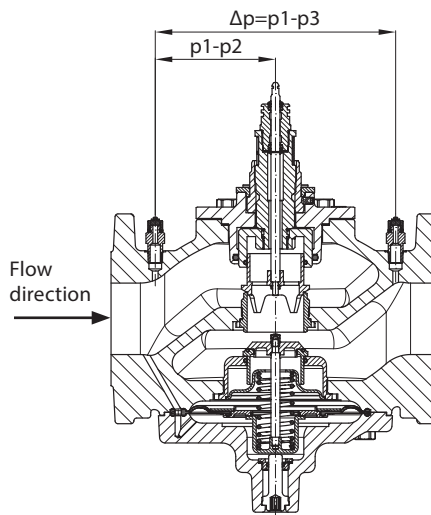
DN 65-100



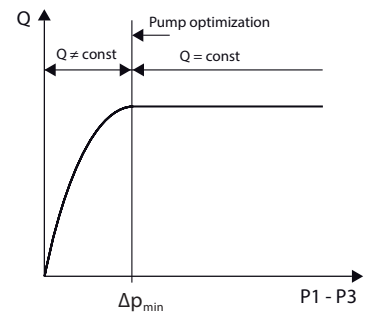
Measuring / Måling / Messung / Mesure / Meten / Mätning / Mittaaminen / Wykonywanie pomiarów / Mērišana / Mérés / Ölçüm / Измерение / Měření / 測量 / Merjenje / Medida / Matavimas



DN 40/50



DN 65-100



AB-QM DN 40-100



-10...120 °C



PN 16



$\Delta p_{max} = 600 \text{ kPa (6 bar)}$

DN 40	L/h	L/s	GPM
20%	1,500	0.416	6.6
25%	1,875	0.520	8.3
30%	2,250	0.625	9.9
35%	2,625	0.729	11.6
40%	3,000	0.833	13.2
45%	3,375	0.937	14.9
50%	3,750	1.041	16.5
55%	4,125	1.145	18.2
60%	4,500	1.250	19.8
65%	4,875	1.354	21.5
70%	5,250	1.458	23.1
75%	5,625	1.562	24.8
80%	6,000	1.666	26.4
85%	6,375	1.770	28.1
90%	6,750	1.875	29.7
95%	7,125	1.979	31.4
100%	7,500	2.083	33.0

Note: 1 turn = 10%

DN 50	L/h	L/s	GPM
40%	5,000	1.386	22.0
45%	5,625	1.562	24.8
50%	6,250	1.736	27.5
55%	6,875	1.909	30.3
60%	7,500	2.083	33.0
65%	8,125	2.256	35.8
70%	8,750	2.430	38.5
75%	9,375	2.604	41.3
80%	10,000	2.777	44.0
85%	10,625	2.951	46.8
90%	11,250	3.125	49.5
95%	11,875	3.298	52.3
100%	12,500	3.472	55.0

Note: 1 turn = 10%

DN 65	Flow			High Flow		
	L/h	L/s	GPM	L/h	L/s	GPM
40%	8,000	2.22	35.2	10,000	2.78	44.0
45%	9,000	2.50	39.6	11,250	3.13	49.5
50%	10,000	2.78	44.0	12,500	3.47	55.0
55%	11,000	3.06	48.4	13,750	3.82	60.5
60%	12,000	3.33	52.8	15,000	4.17	66.0
65%	13,000	3.61	57.2	16,250	4.51	71.5
70%	14,000	3.89	61.6	17,500	4.86	77.0
75%	15,000	4.17	66.0	18,750	5.21	82.5
80%	16,000	4.44	70.4	20,000	5.56	88.0
85%	17,000	4.72	74.9	21,250	5.90	93.5
90%	18,000	5.00	79.3	22,500	6.25	99.0
95%	19,000	5.28	83.7	23,750	6.60	104.5
100%	20,000	5.56	88.1	25,000	6.94	110.0

Note: 1 turn = 10%

DN 80	Flow			High Flow		
	L/h	L/s	GPM	L/h	L/s	GPM
40%	11,200	3.11	49.3	16,000	4.44	70.5
45%	12,600	3.50	55.5	18,000	5.00	79.3
50%	14,000	3.89	61.6	20,000	5.56	88.1
55%	15,400	4.23	67.8	22,000	6.11	96.9
60%	16,800	4.67	74.0	24,000	6.67	105.7
65%	18,200	5.10	80.1	26,000	7.22	114.5
70%	19,600	5.44	86.3	28,000	7.78	123.3
75%	21,000	5.83	92.5	30,000	8.33	132.2
80%	22,400	6.22	98.6	32,000	8.89	141.0
85%	23,800	6.61	104.8	34,000	9.44	149.8
90%	25,200	7.00	111.0	36,000	10.00	158.6
95%	26,600	7.39	117.1	38,000	10.56	167.4
100%	28,000	7.78	123.3	40,000	11.11	176.2

Note: 1 turn = 10%

DN 100	Flow			High Flow		
	L/h	L/s	GPM	L/h	L/s	GPM
40%	15,200	4.22	67.0	23,600	6.56	104.0
45%	17,100	4.75	75.3	26,550	7.38	117.0
50%	19,000	5.28	83.7	29,500	8.19	130.0
55%	20,900	5.81	92.1	32,450	9.01	143.0
60%	22,800	6.33	100.4	35,400	9.83	155.9
65%	24,700	6.86	108.8	38,350	10.65	168.9
70%	26,600	7.39	117.2	41,300	11.47	181.9
75%	28,500	7.92	125.6	44,250	12.29	194.9
80%	30,400	8.44	133.9	47,200	13.11	207.9
85%	32,300	8.97	142.3	50,150	13.93	220.9
90%	34,200	9.50	150.7	53,100	14.75	233.9
95%	36,100	10.03	159.0	56,050	15.57	246.9
100%	38,000	10.56	167.4	59,000	16.39	259.9

Note: 1 turn = 10%

Danfoss can accept no responsibility for possible errors in catalogues, brochures and other printed material. Danfoss reserves the right to alter its products without notice. This also applies to products already on order provided that such alterations can be made without consequential changes being necessary in specifications already agreed. All trademarks in this material are property of the respective companies. Danfoss and the Danfoss logotype are trademarks of Danfoss A/S. All rights reserved.