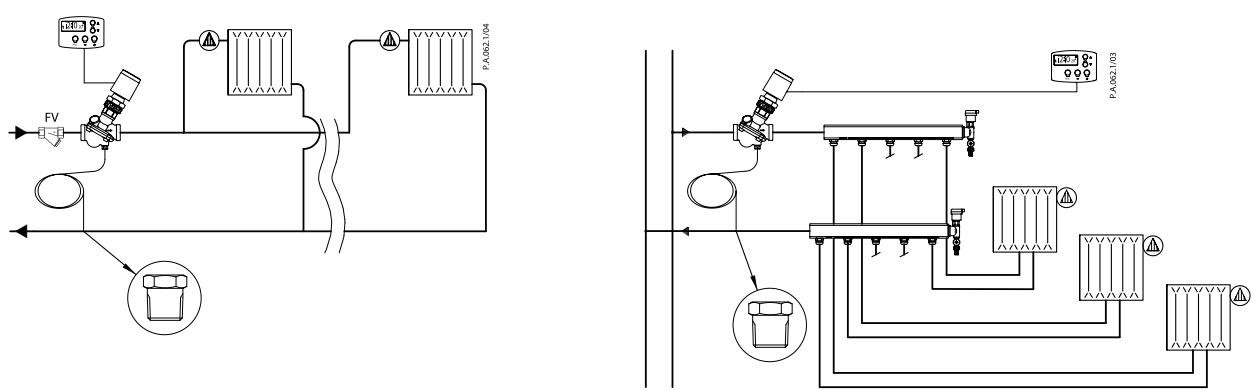
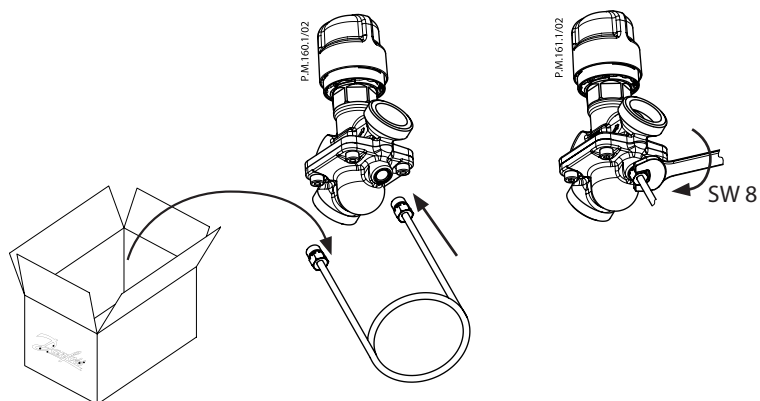
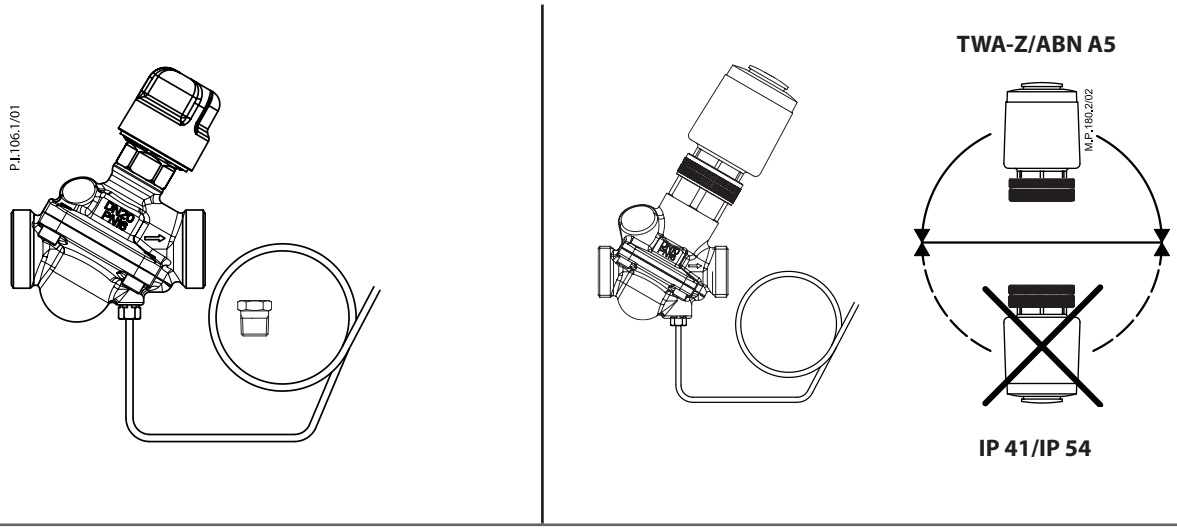


Operating Guide

AB-PM/AB PM HP (DN 10-32)

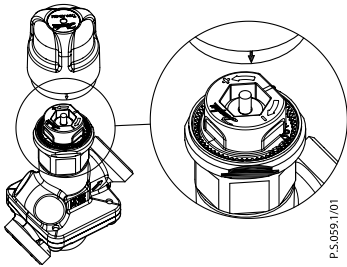


AB-PM/AB-PM HP (DN 10-32)

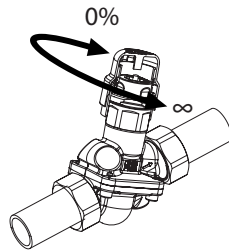
Manual Shut-off-plastic

Included with all AB-PM valves
 $\Delta p_{max} = 1 \text{ bar}$

Code No.:
003Z0250

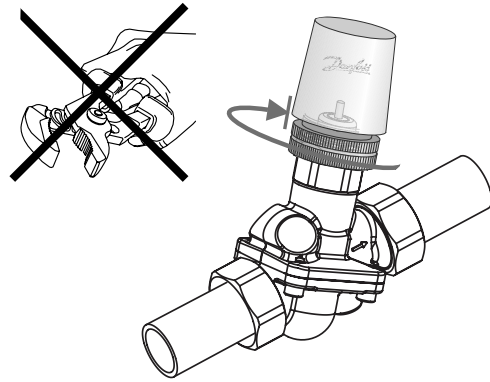


P.5.059.1/01

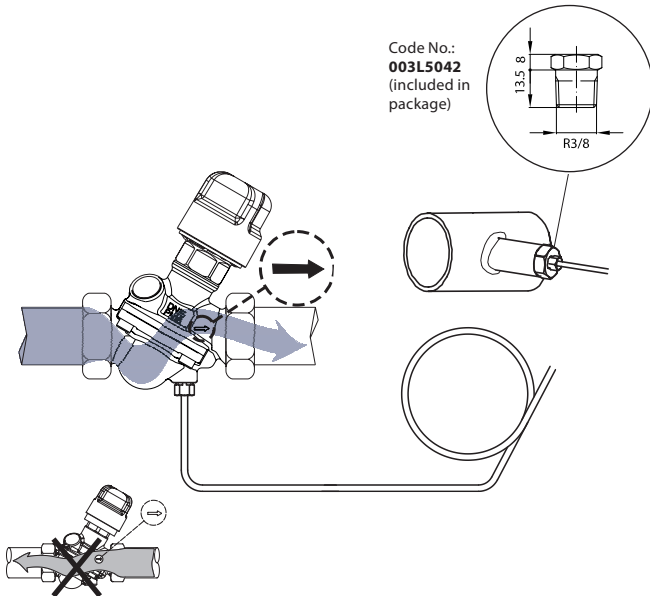


Clockwise: Close
Counter-Clockwise: Open

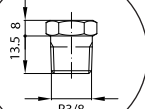
Mounting actuator



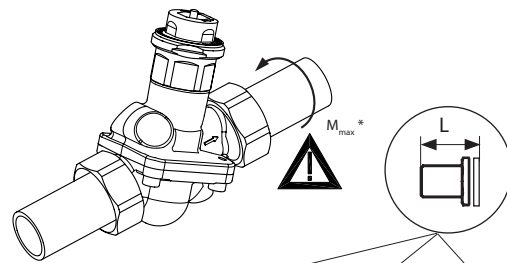
Flow Direction



Code No.:
003L5042
(included in package)



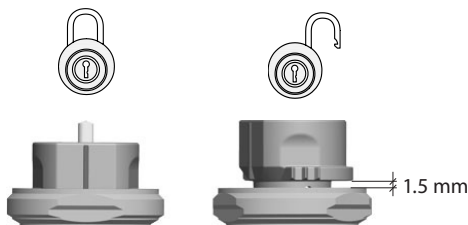
Assembly



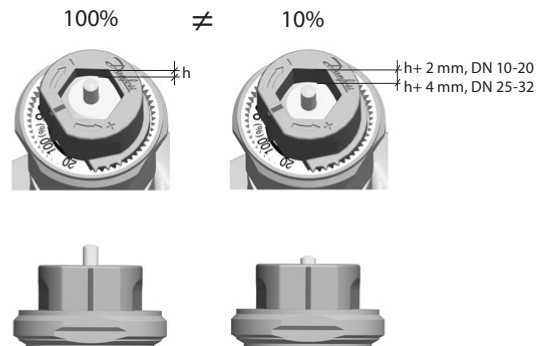
DN	[Seal]		[Seal]		[Seal]		
	To pipe	L (mm)	Code No.	Weld.c. L (mm)	Code No.	Solder.c. L (mm)	Code No.
10*	R 3/8	26	003Z0231			17	065Z7016
15	R 1/2	27.5	003Z0232	37	003Z0226	22	065Z7017
20	R 3/4	30.5	003Z0233	42	003Z0227		
25	R 1	35	003Z0234	42	003Z0228		
32	R 1 1/4	38.5	003Z0235	42	003Z0229		

* M_{max} for DN 10 is 35 Nm

Locking



Setting



Danfoss can accept no responsibility for possible errors in catalogues, brochures and other printed material. Danfoss reserves the right to alter its products without notice. This also applies to products already on order provided that such alterations can be made without consequential changes being necessary in specifications already agreed. All trademarks in this material are property of the respective companies. Danfoss and the Danfoss logotype are trademarks of Danfoss A/S. All rights reserved.