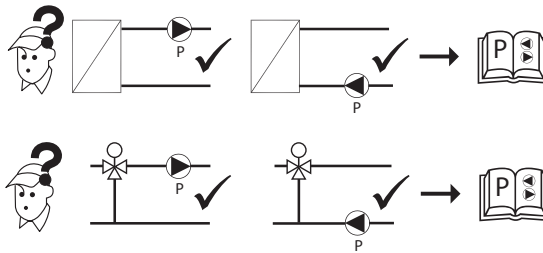
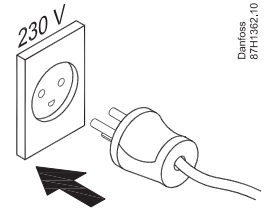
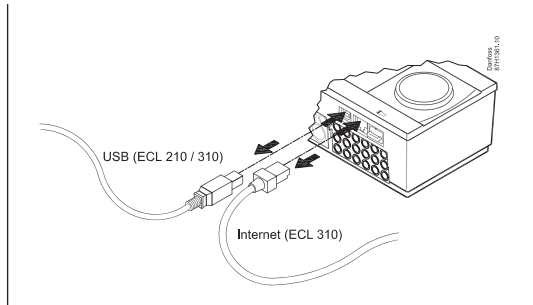
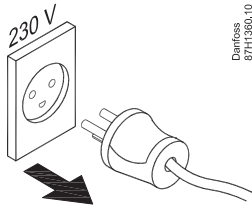
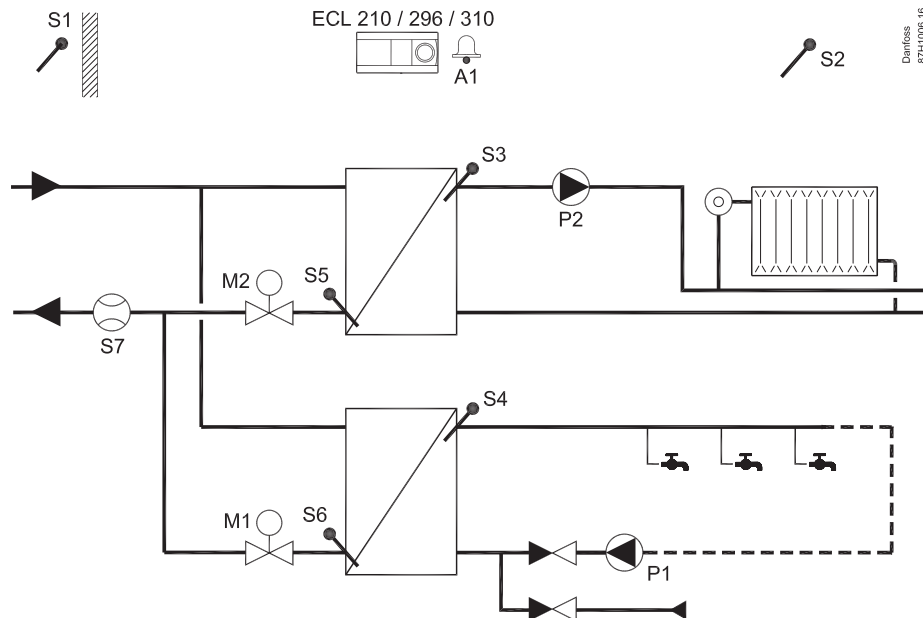


Installation Guide

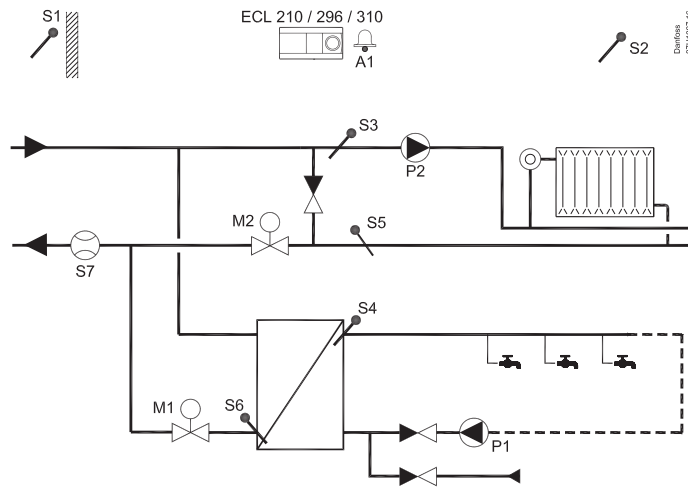
ECL Comfort 210 / 296 / 310, A266 (code no. 087H3800)



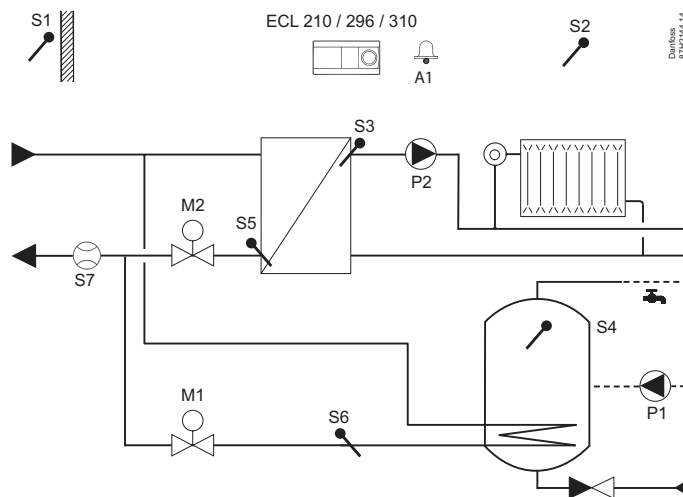
A266.1 (ex. a):



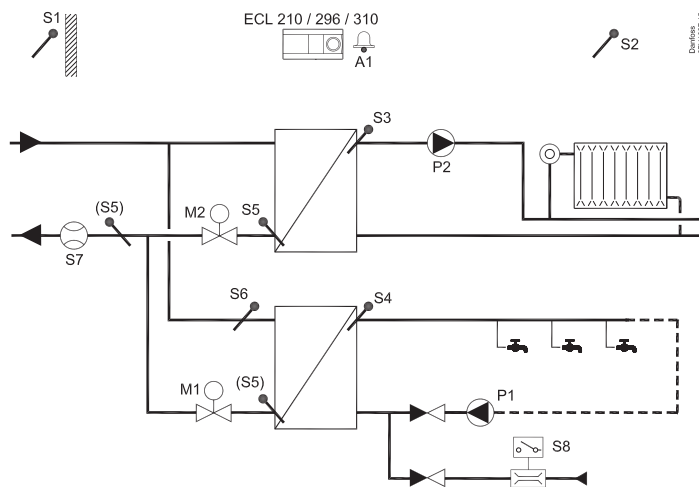
A266.1 (ex. b):



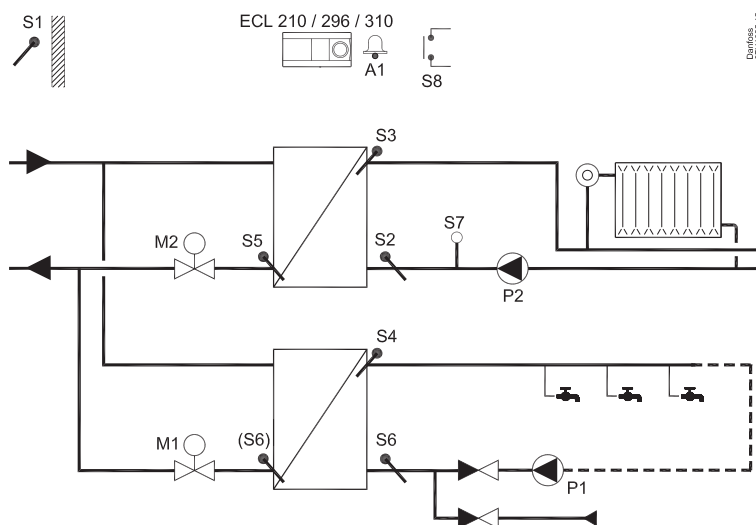
A266.1 (ex. c):



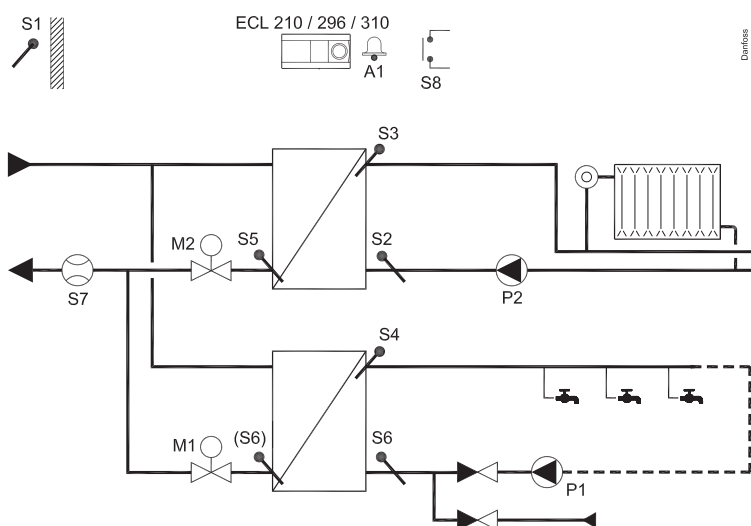
A266.2 (ex. a):



A266.9 (ex. a):



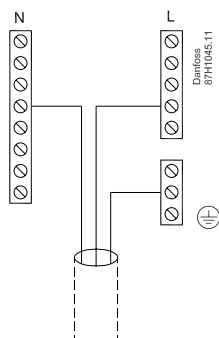
A266.10 (ex. a):



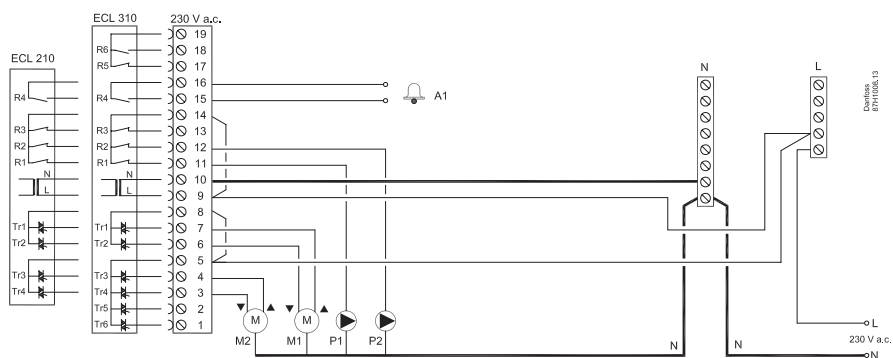
Installation Guide, ECL Comfort 210 / 296 / 310, A266

ECL Comfort 210 / 296 / 310: 230 V a.c.

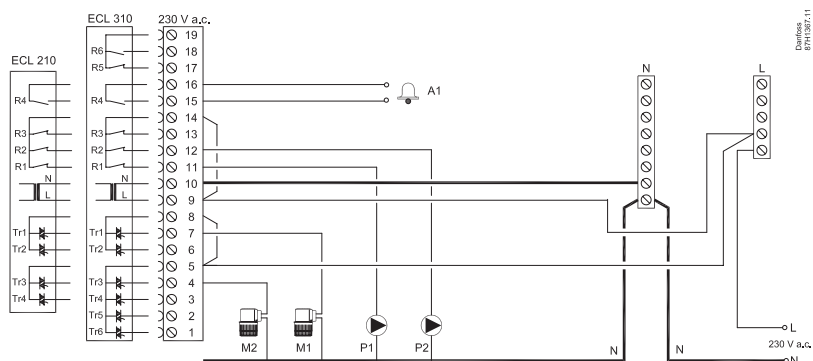
R		4 (2) A / 230 V a.c.
Tr		0,2 A / 230 V a.c.



230 V a.c. , A266.1 / A266.2 / A266.9 / A266.10

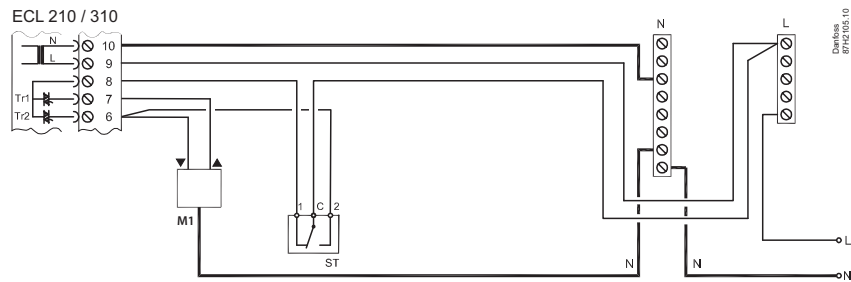


230 V a.c. , A266.1 / A266.2 / A266.9 / A266.10



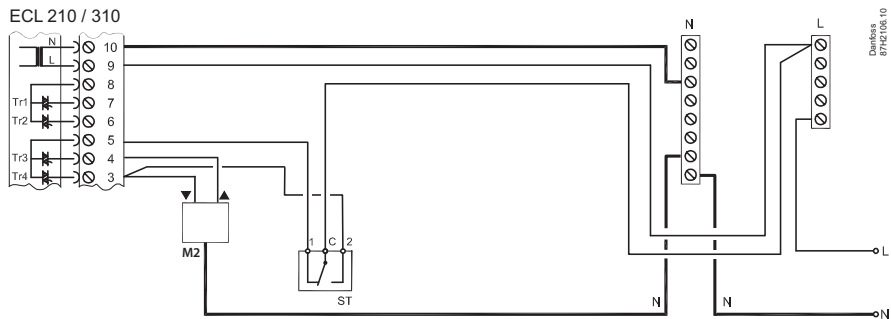
230 V a.c. / 24 V a.c. , safety thermostat

1-step closing



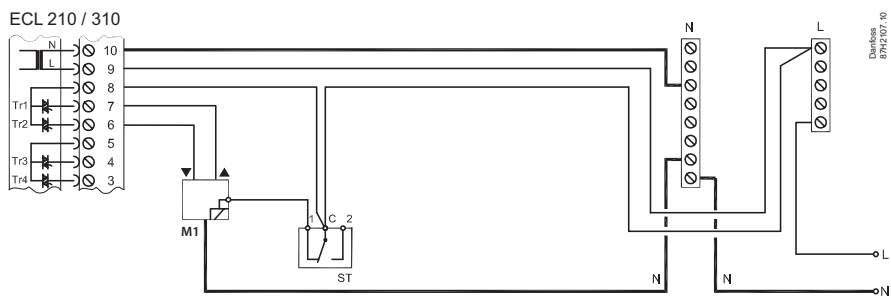
230 V a.c. / 24 V a.c. , safety thermostat

1-step closing



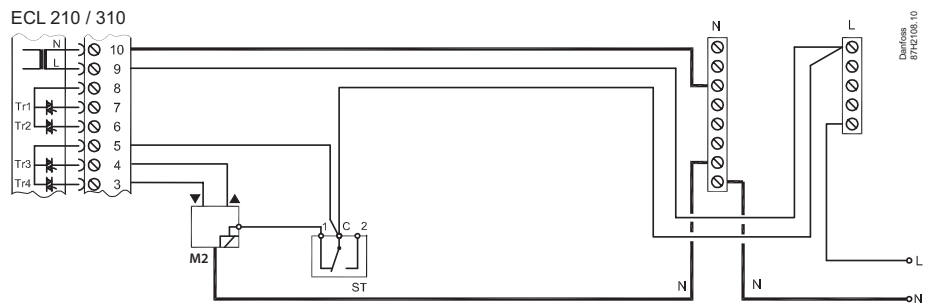
230 V a.c. / 24 V a.c. , safety thermostat

1-step closing



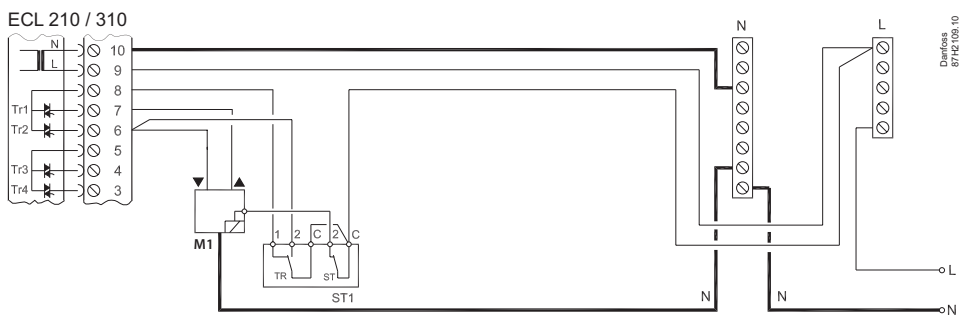
230 V a.c. / 24 V a.c. , safety thermostat

1-step closing



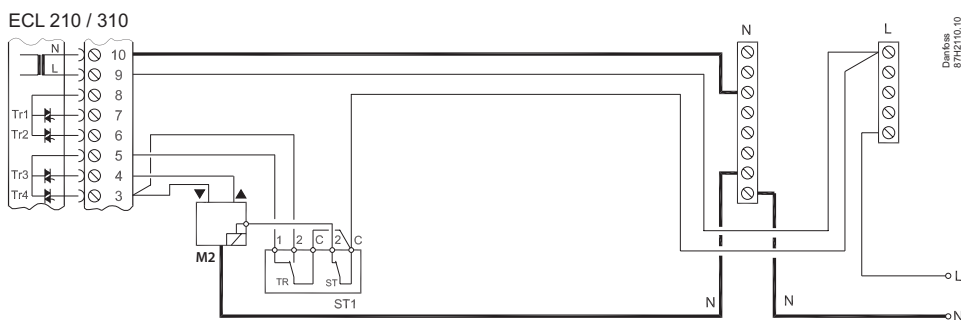
230 V a.c. / 24 V a.c. , safety thermostat

2-step closing



230 V a.c. / 24 V a.c. , safety thermostat

2-step closing

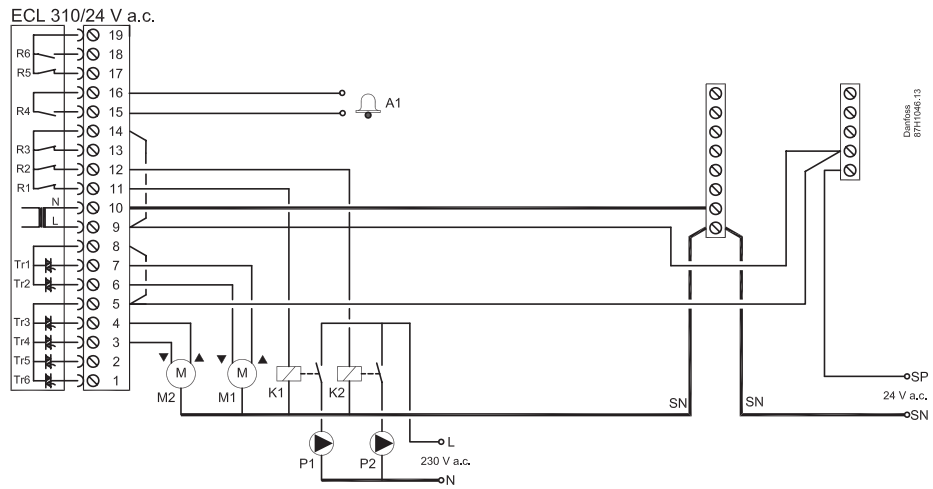


ECL Comfort 210 / 296 / 310:

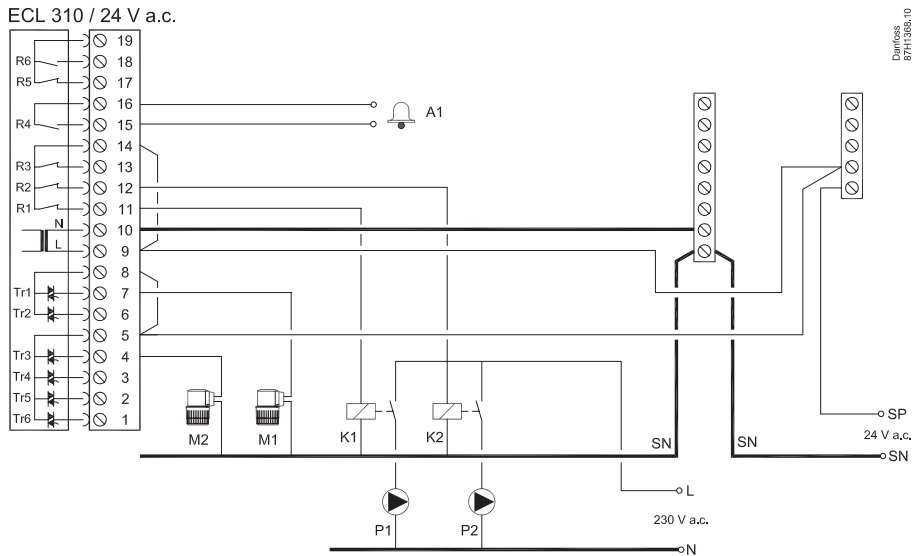
24 V a.c.

R		4 (2) A / 24 V a.c.
R		
Tr		1 A / 24 V a.c.

24 V a.c. (A266.1 / A266.2 / A266.9 / A266.10)

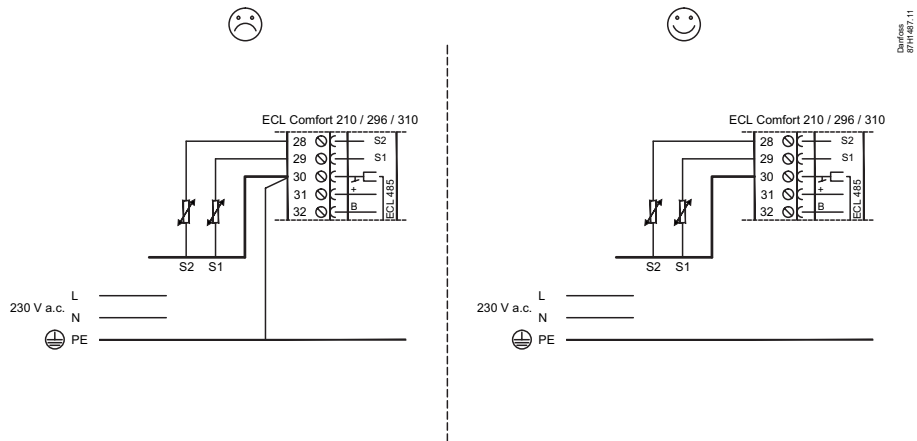


24 V a.c. (A266.1 / A266.2 / A266.9 / A266.10)

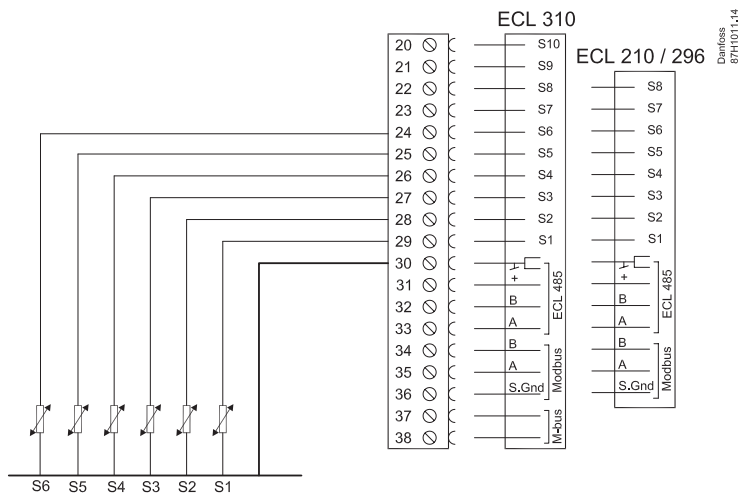


Installation Guide, ECL Comfort 210 / 296 / 310, A266

Pt 1000 (1000 Ω / 0 °C)



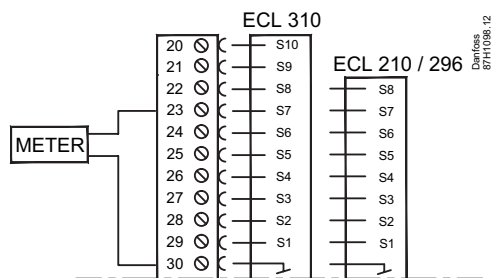
A266.1 / A266.2 / A266.9 / A266.10



A266.1 / A266.2 / A266.10



S7



A266.1 / A266.2 / A266.10

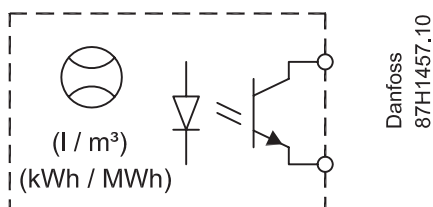


S7

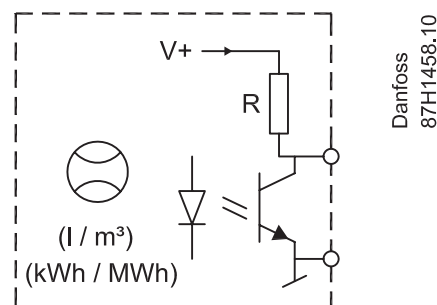


A / B ?

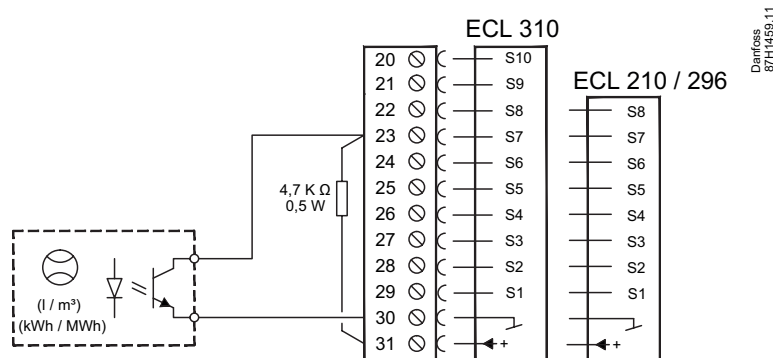
A:



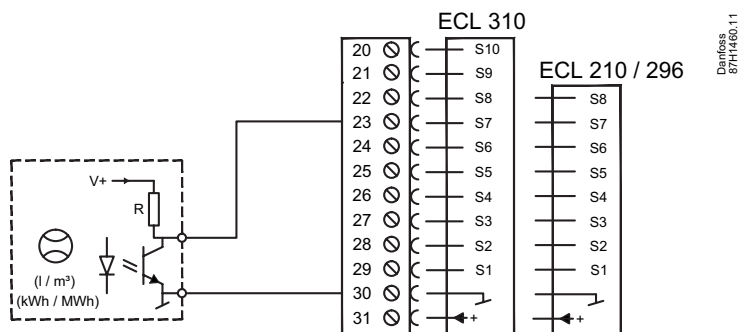
B:



A:

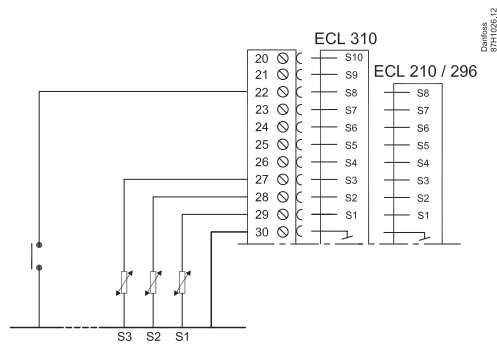


B:



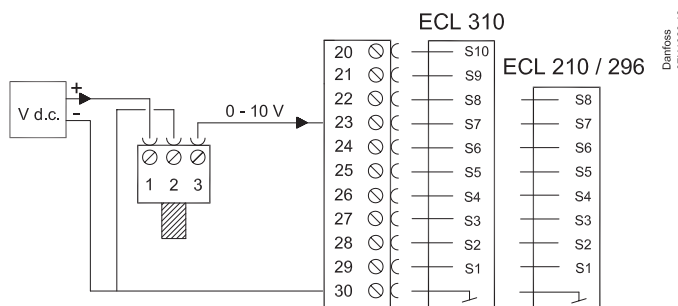
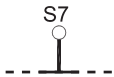
A266.2 / A266.9 / A266.10

S8



Danfoss
87H1026.12

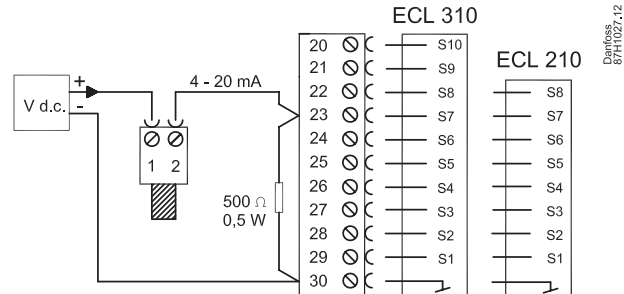
A266.9



Danfoss
87H1023.13

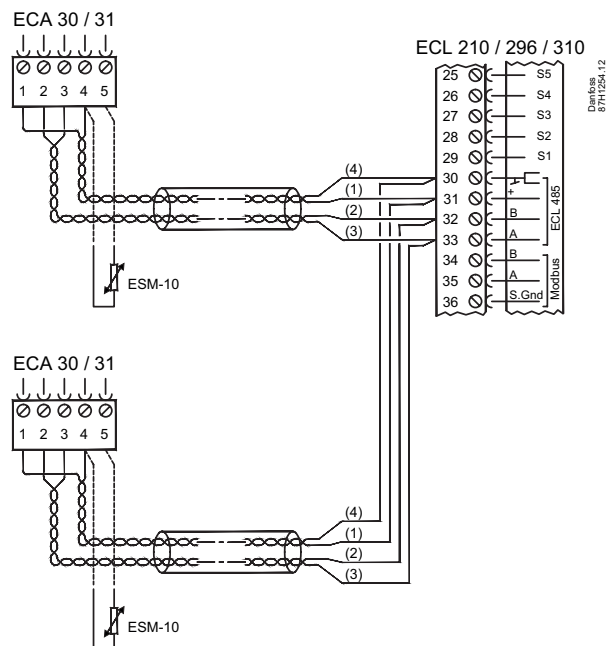
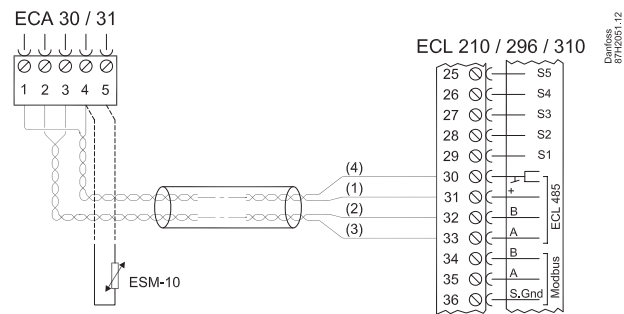
V d.c. = 12 - 24 V d.c.

A266.9

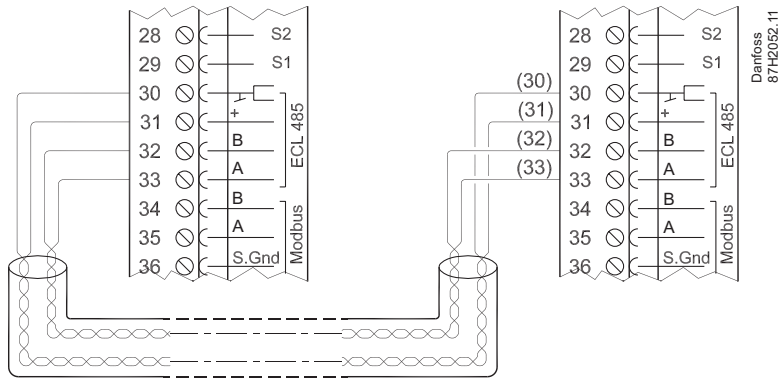


V d.c. = 12 - 24 V d.c.

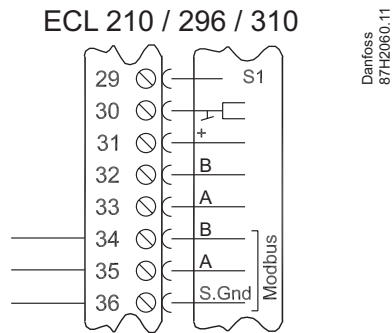
ECA 30 / 31



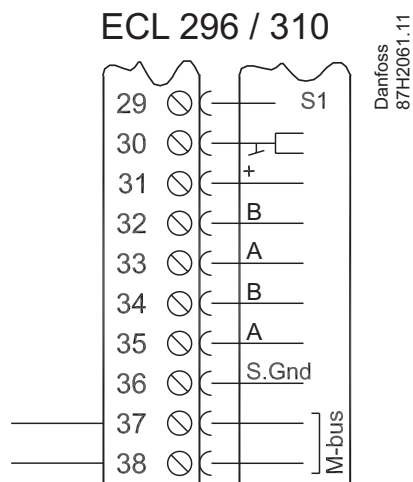
Master / slave



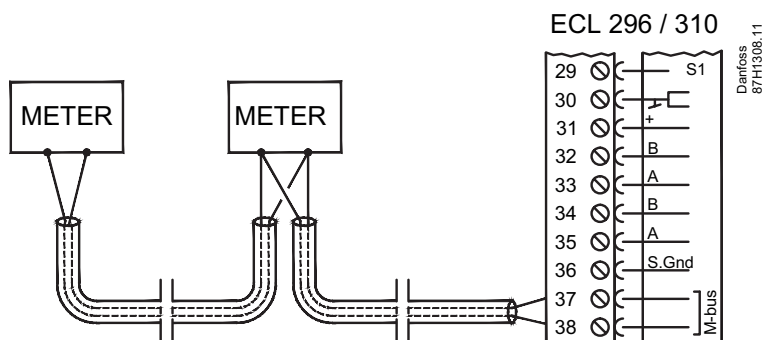
Modbus



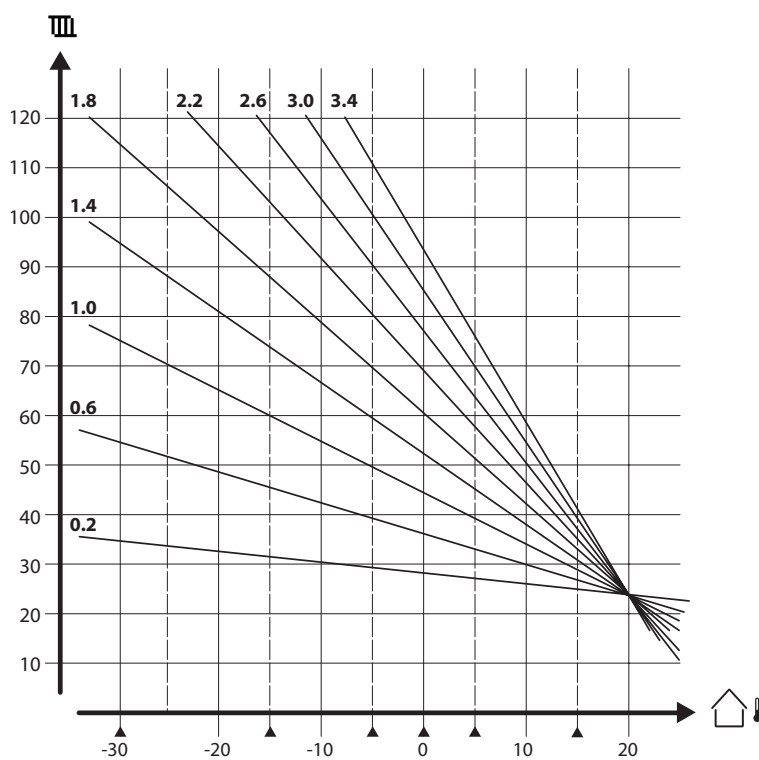
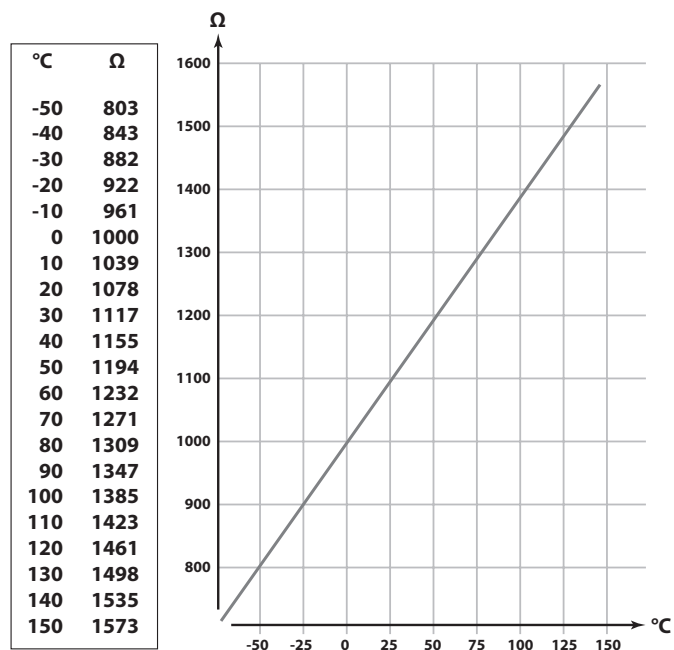
M-bus



M-bus

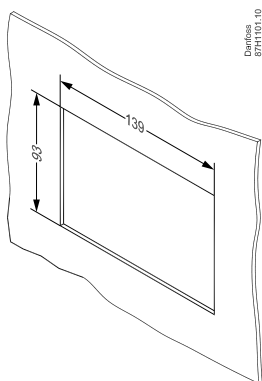


Pt 1000 (IEC 751B, 1000 Ω / 0 $^{\circ}\text{C}$)

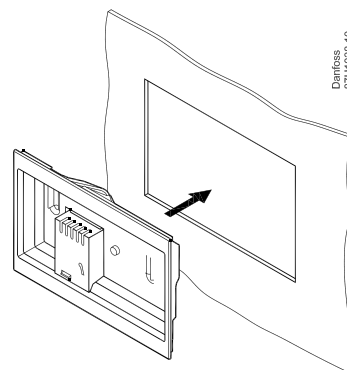


ECA 30

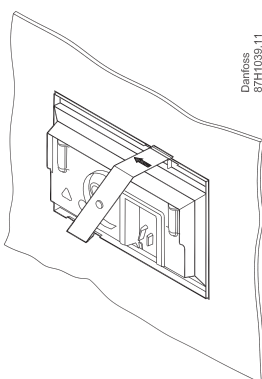
1



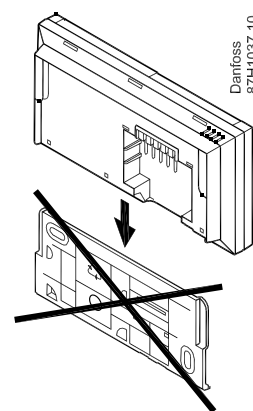
2



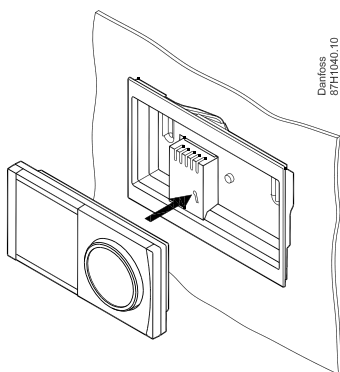
3



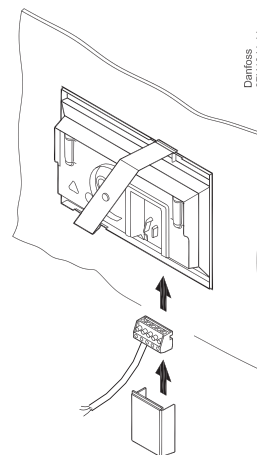
4



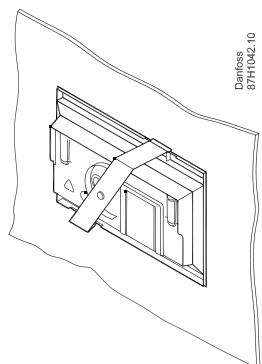
5



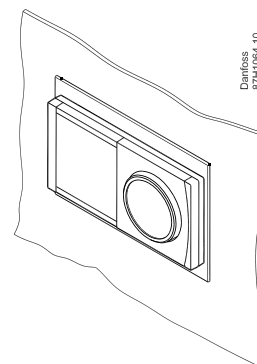
6



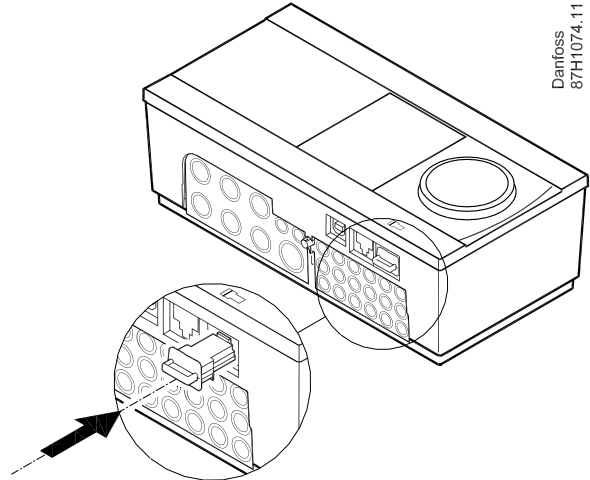
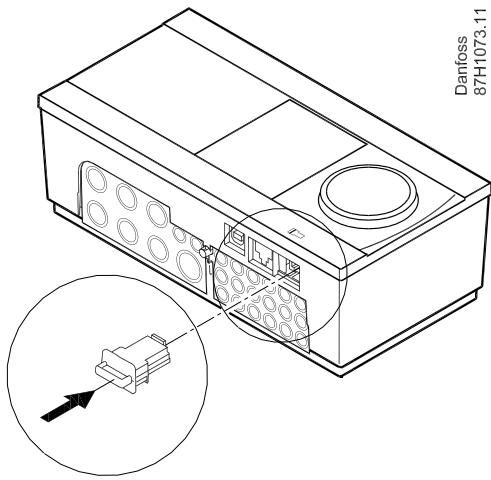
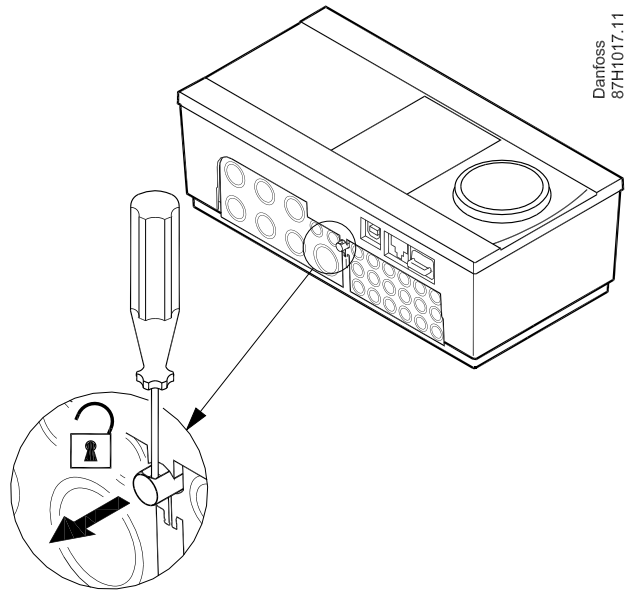
7



8



Installation Guide, ECL Comfort 210 / 296 / 310, A266



? **ECL Comfort 210 / 296 / 310, A266: www.heating.danfoss.com**



Danfoss A/S
Heating Segment • heating.danfoss.com • +45 7488 2222 • E-Mail: heating@danfoss.com

Danfoss can accept no responsibility for possible errors in catalogues, brochures and other printed material. Danfoss reserves the right to alter its products without notice. This also applies to products already on order provided that such alterations can be made without subsequent changes being necessary in specifications already agreed. All trademarks in this material are property of the respective companies. Danfoss and all Danfoss logotypes are trademarks of Danfoss A/S. All rights reserved.