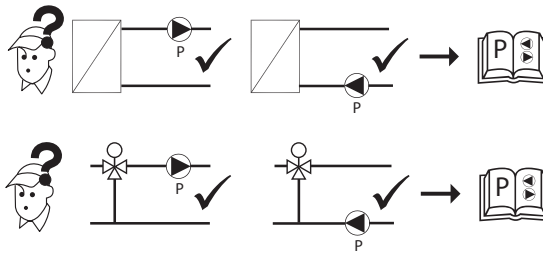
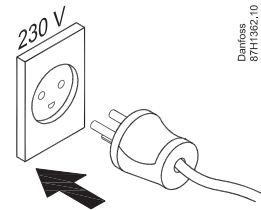
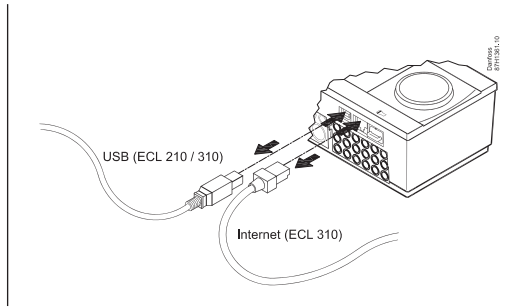
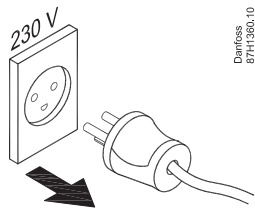
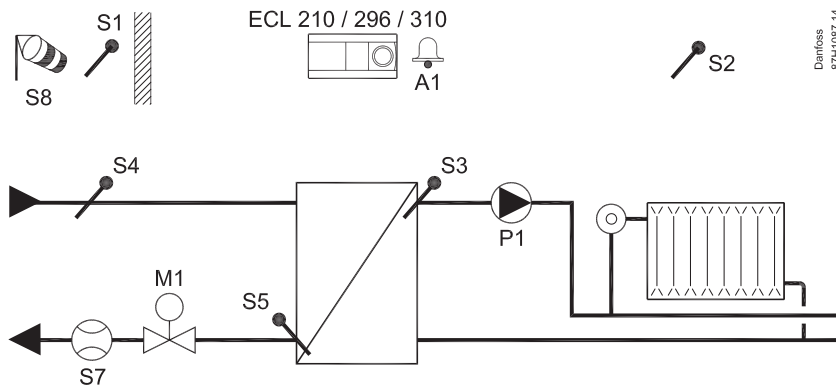


Installation Guide

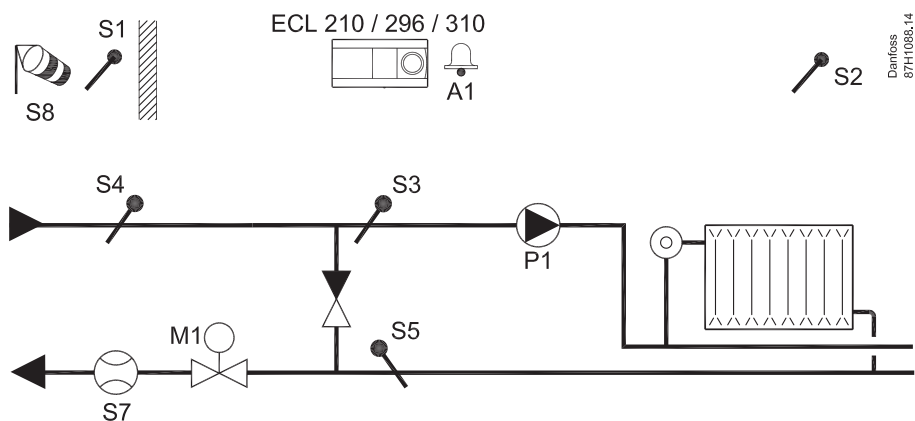
ECL Comfort 210 / 296 / 310, A230 (code no. 087H3802)



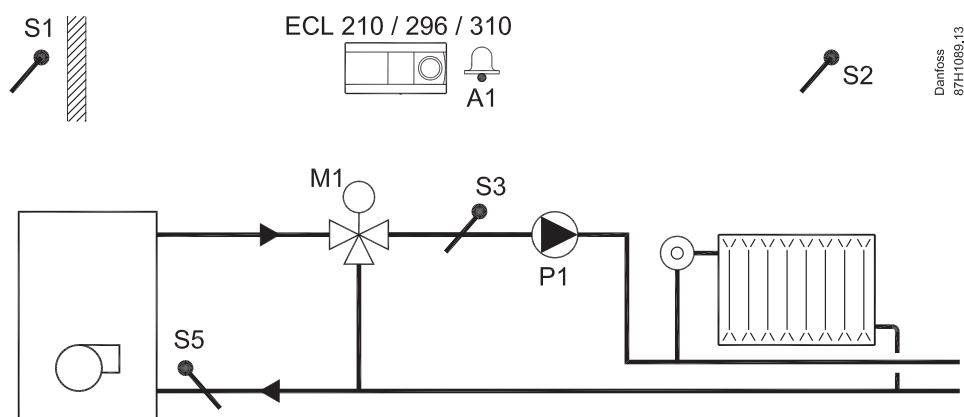
A230.1 ex. a



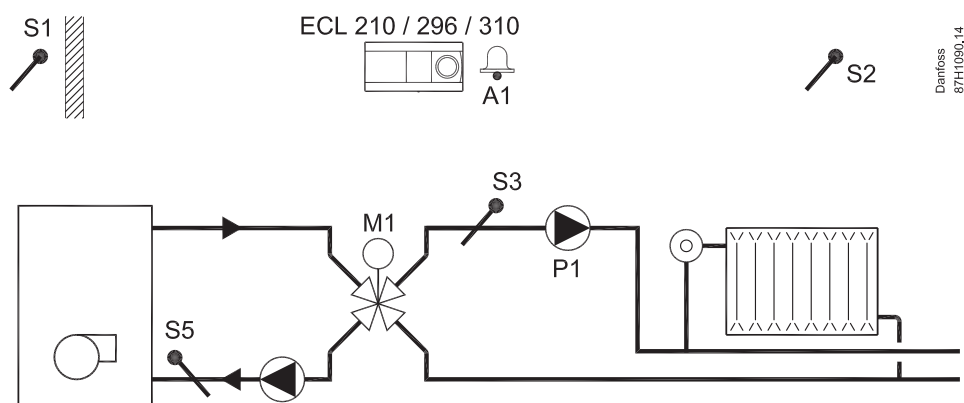
A230.1 ex. b:



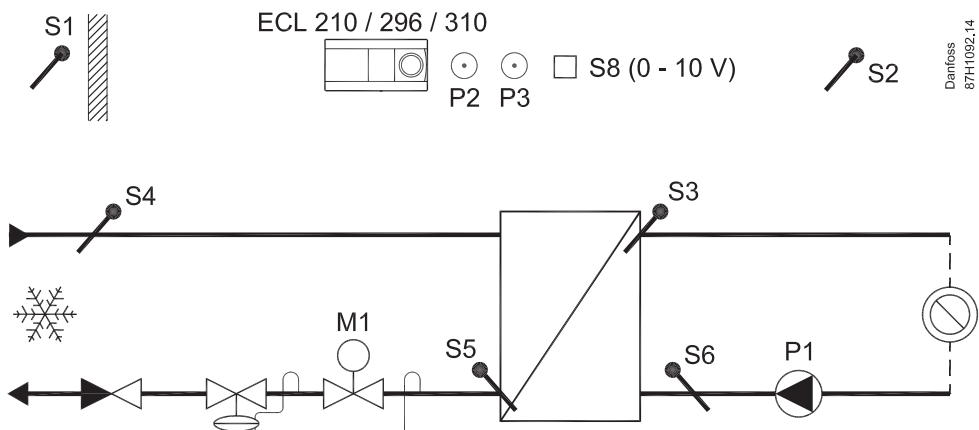
A230.1 ex. c:



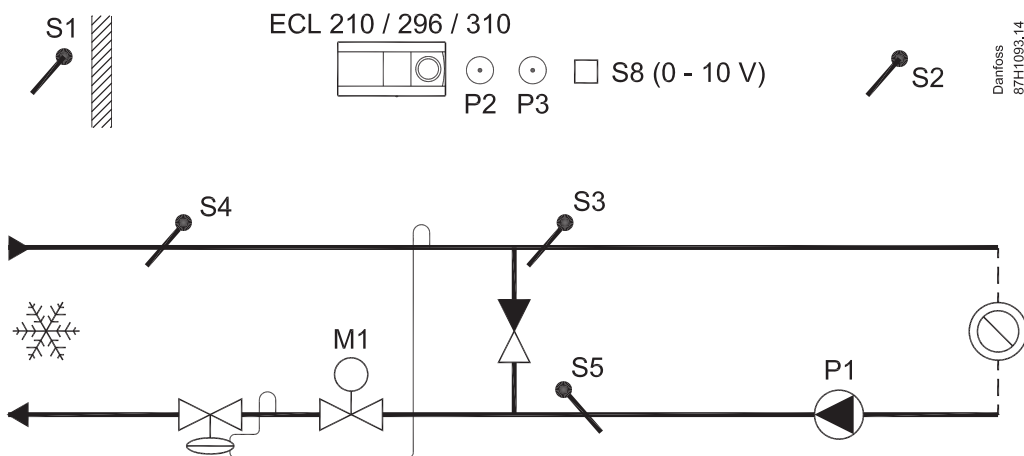
A230.1 ex. d:



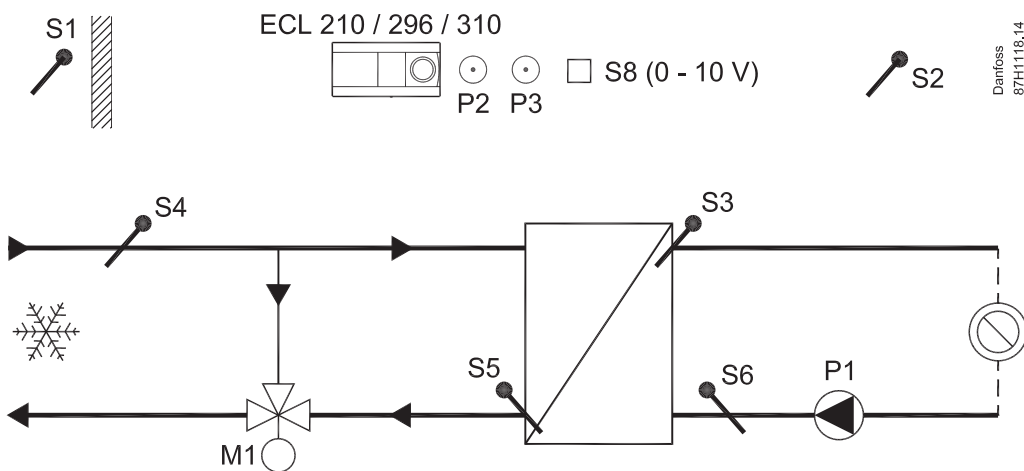
A230.2 ex. a:



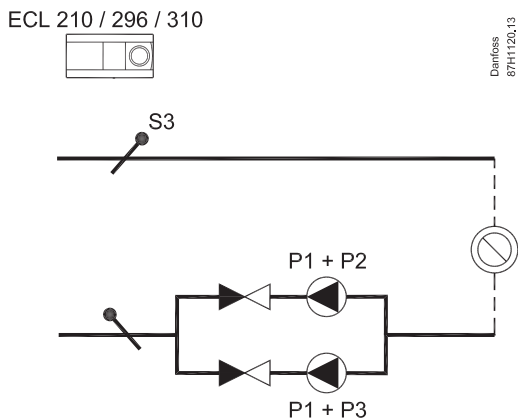
A230.2 ex. b:



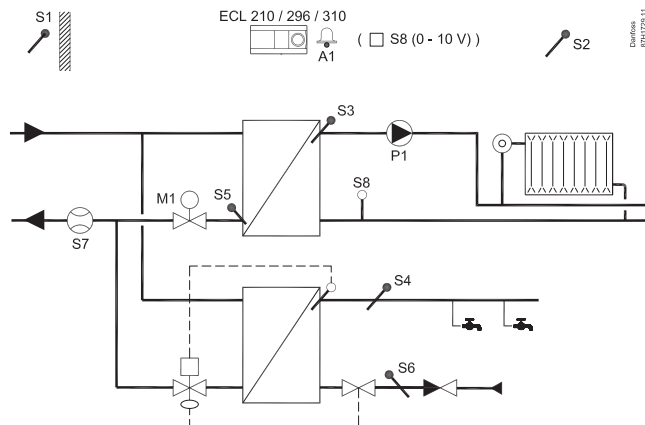
A230.2 ex. c:



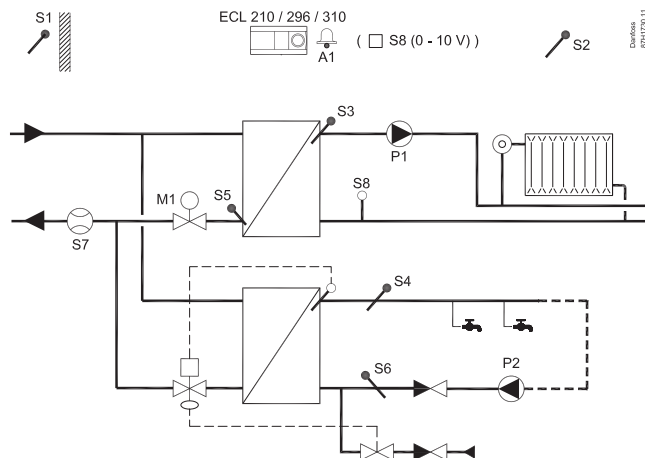
A230.2 ex. d:



A230.4, ex. a

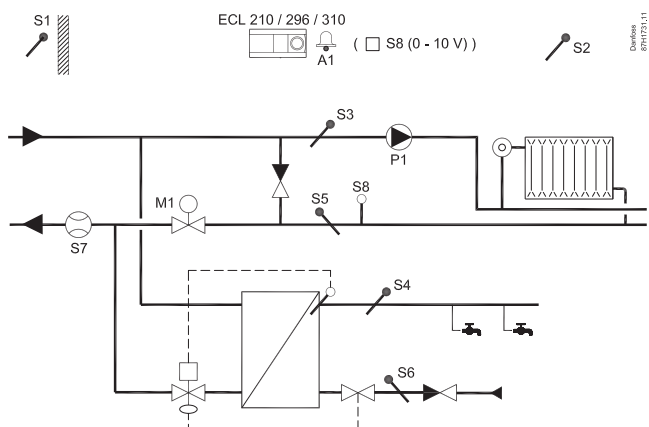


A230.4, ex. b

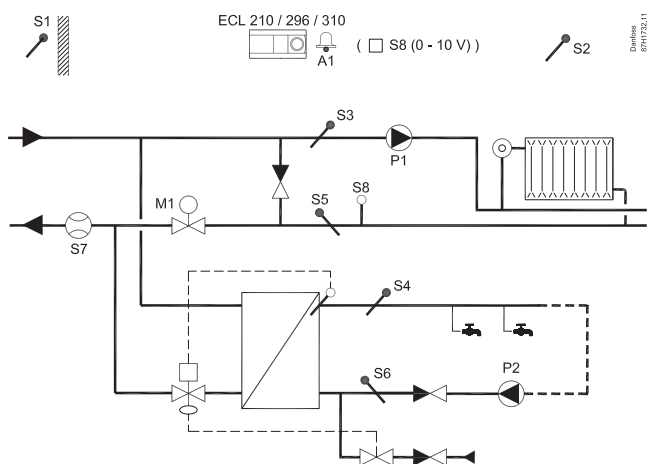


Installation Guide, ECL Comfort 210 / 296 / 310, A230

A230.4, ex. c



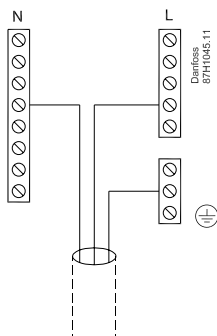
A230.4, ex. d



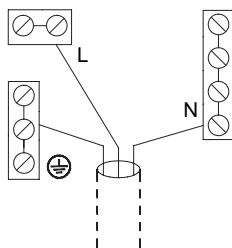
ECL Comfort 210 / 296 / 310: 230 V a.c.

R	4 (2) A / 230 V a.c.
R	
Tr	0,2 A / 230 V a.c.

ECL 210 / 310:

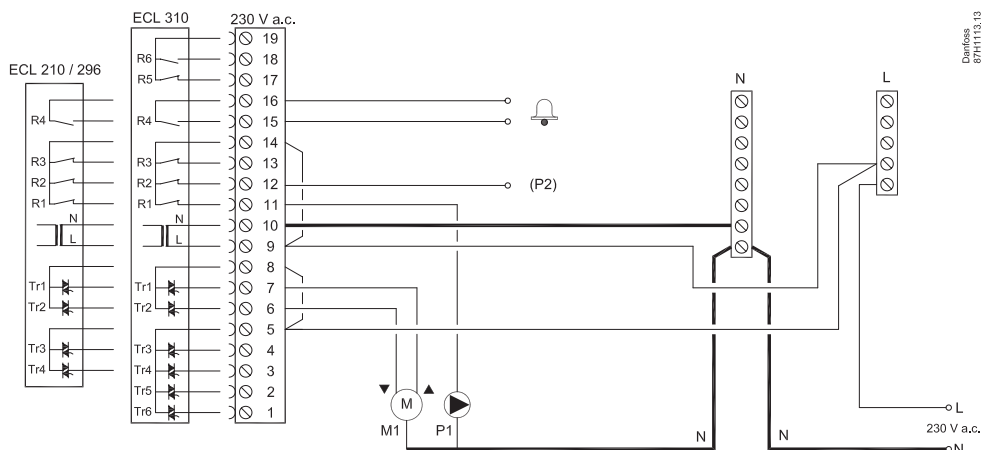


ECL 296:

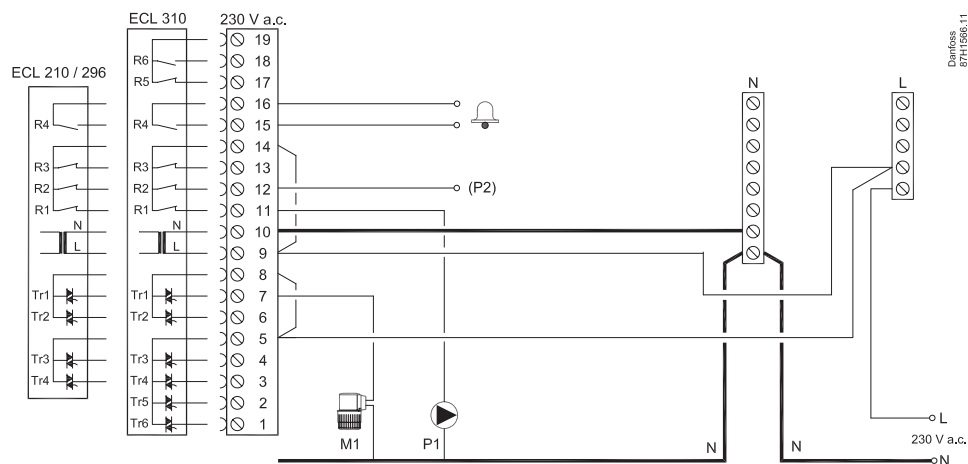


	R1	R2	R3	R4
A230.1	P1	(P2)		A1 (🔔)
A230.2	P1	(P2)	(P3)	
A230.4	P1	(P2)		A1 (🔔)

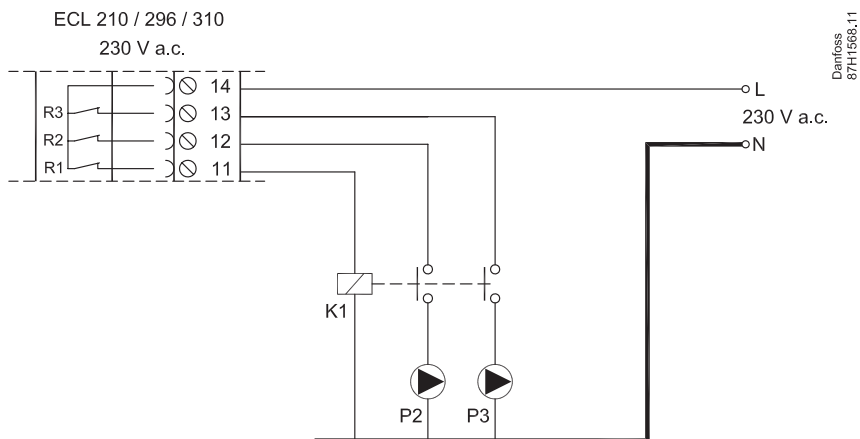
230 V a.c.



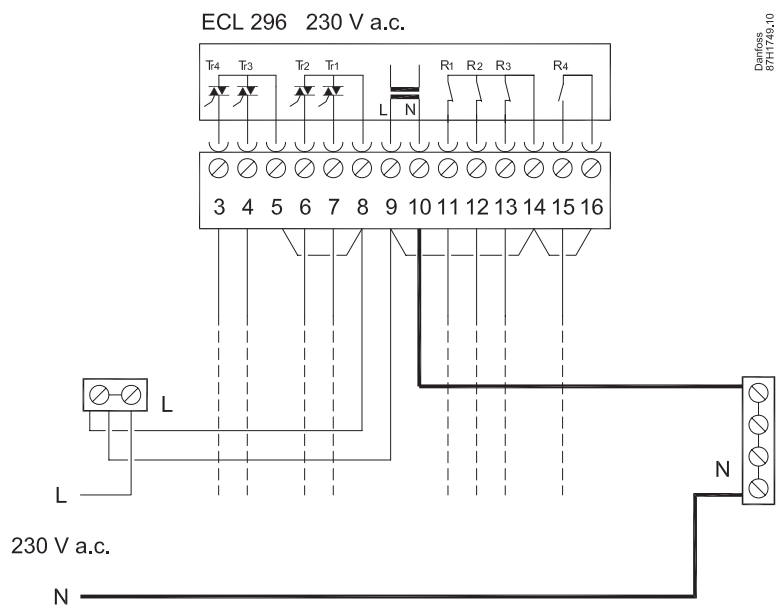
230 V a.c.



A230.2, P2 + P3



**ECL Comfort 296:
230 V a.c.**

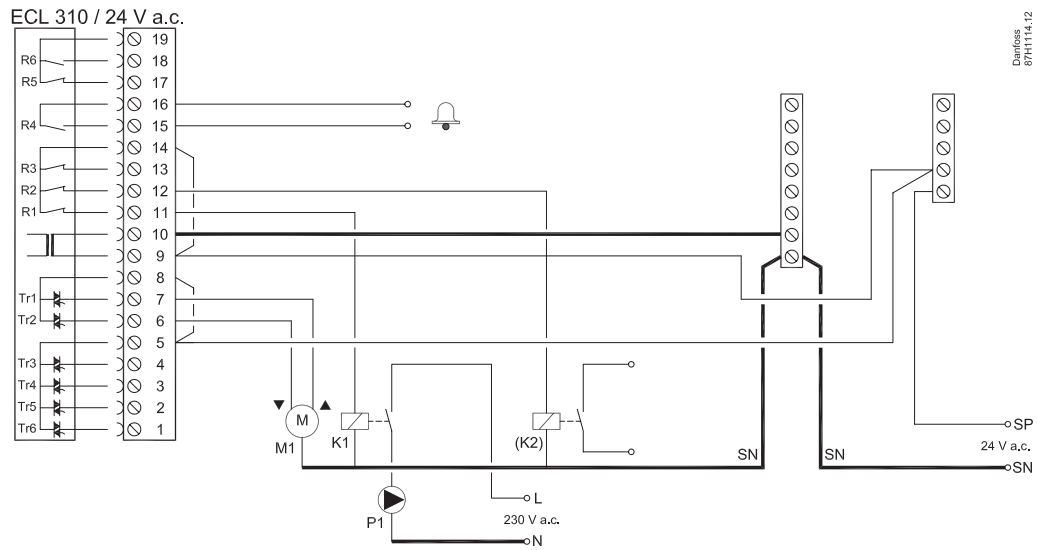


**ECL Comfort 310:
24 V a.c.**

R	4 (2) A / 24 V a.c.
R	
Tr	1 A / 24 V a.c.

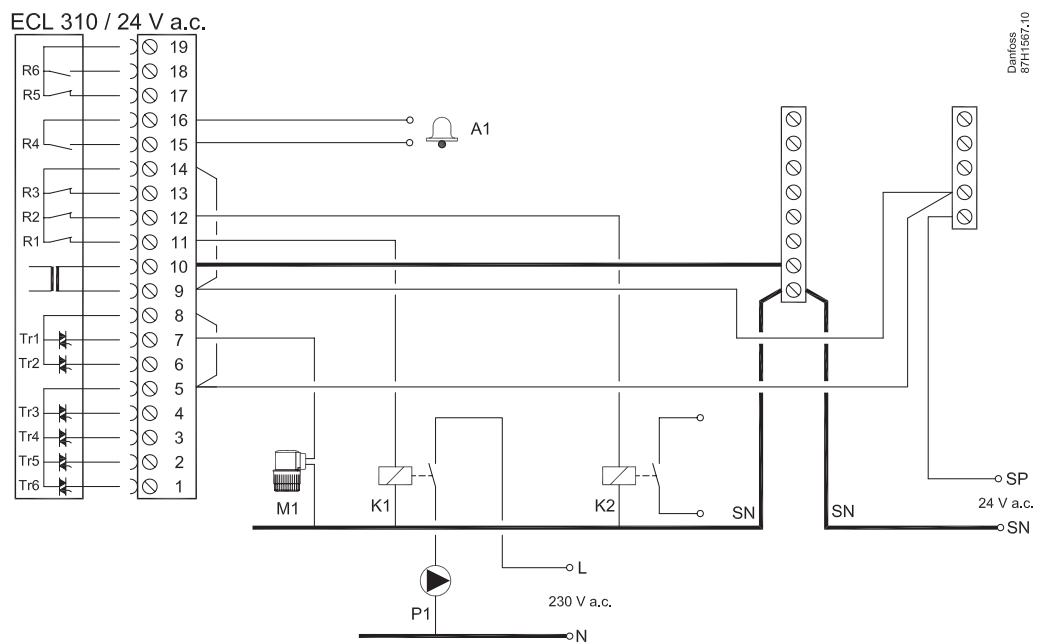
Installation Guide, ECL Comfort 210 / 296 / 310, A230

24 V a.c.

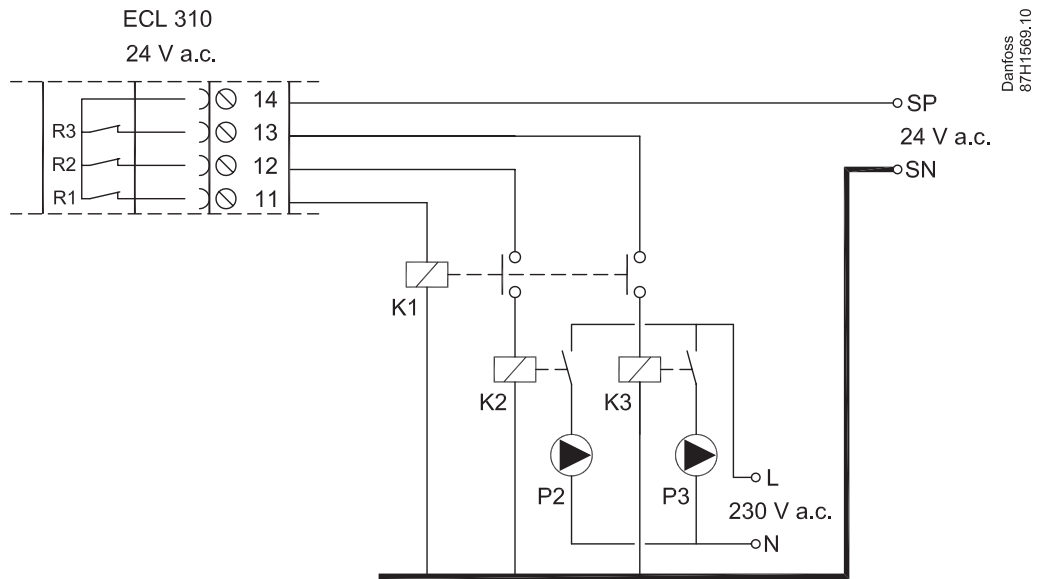


24 V a.c.

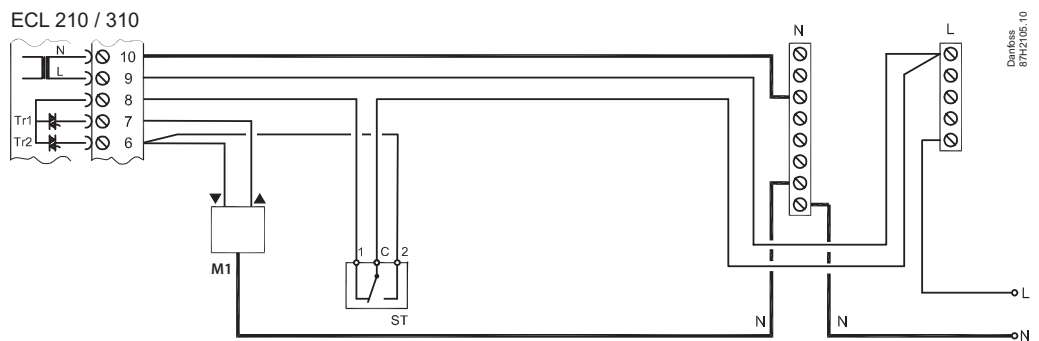
(Danfoss thermo-actuator ABV)



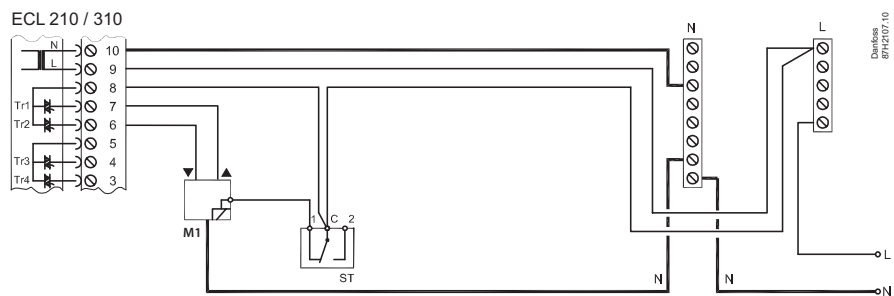
A230.2, P2 + P3



**230 V a.c. / 24 V a.c. , safety thermostat
1-step closing**

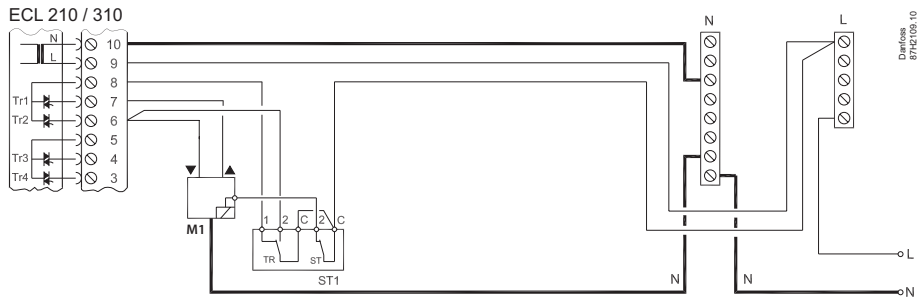


**230 V a.c. / 24 V a.c. , safety thermostat
1-step closing**

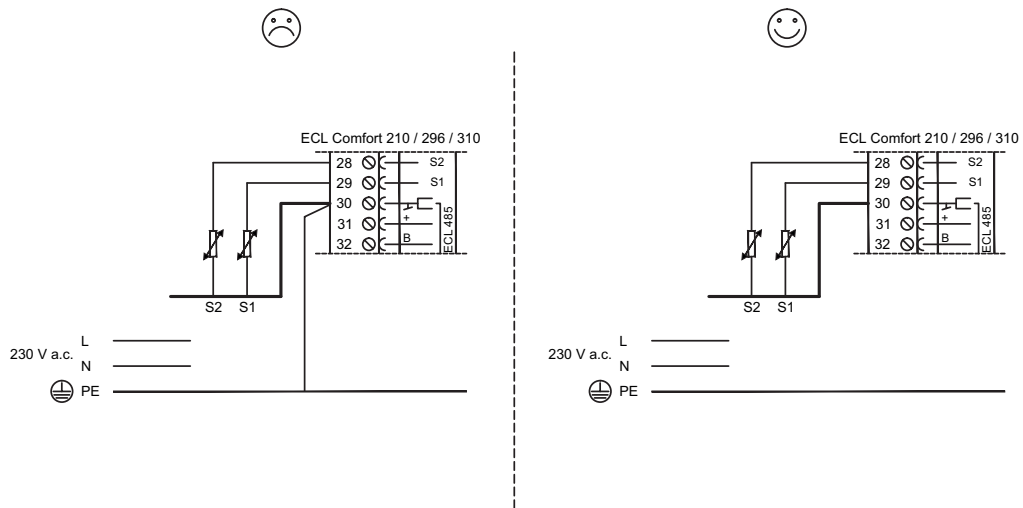


Installation Guide, ECL Comfort 210 / 296 / 310, A230

230 V a.c. / 24 V a.c. , safety thermostat 2-step closing



Pt 1000 (1000 Ω / 0 °C)



Pt 1000 (1000 Ω / 0 °C) ECL 210 / 296 / 310

	S1	S2	S3	S4	S5	S6	S7	S8
A230.1	X	X	X	X	X			
A230.2	X	X	X	X	X	X		
A230.4	X	X	X	X	X	X		

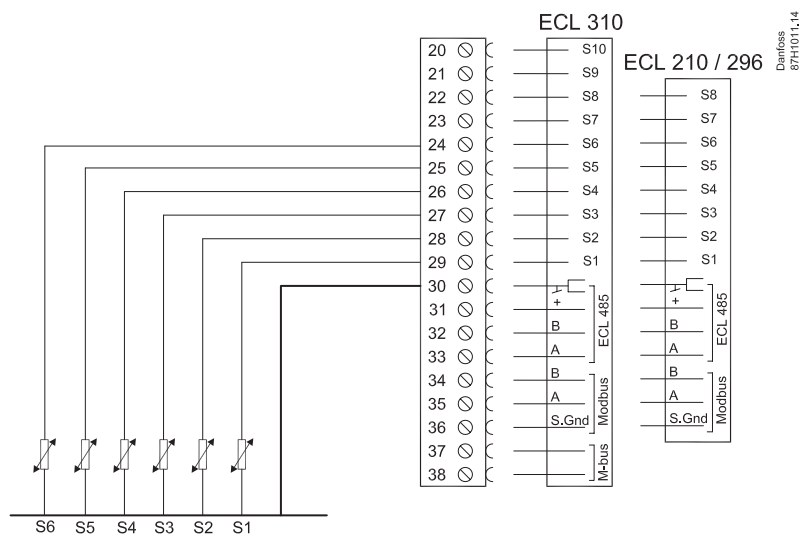
Pulse

	S7
A230.1	x
A230.2	x
A230.4	x

0 - 10 V

	S8
A230.1	0 - 10 V
A230.2	0 - 10 V
A230.4	0 - 10 V / S3 (x °C!)

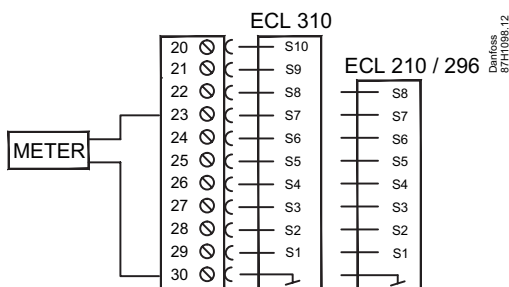
A230



A230



S7



A230

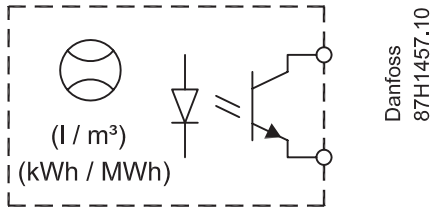


S7

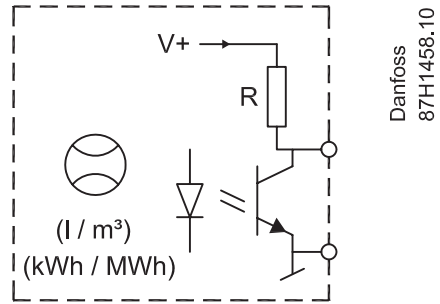


A / B ?

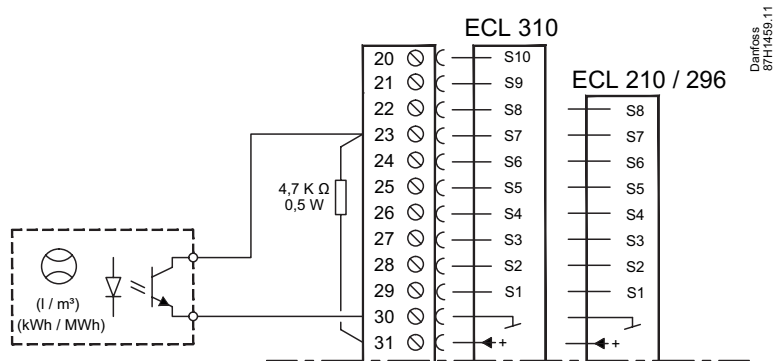
A:



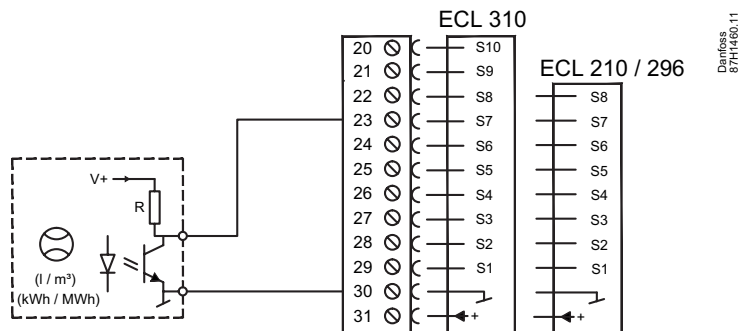
B:



A:



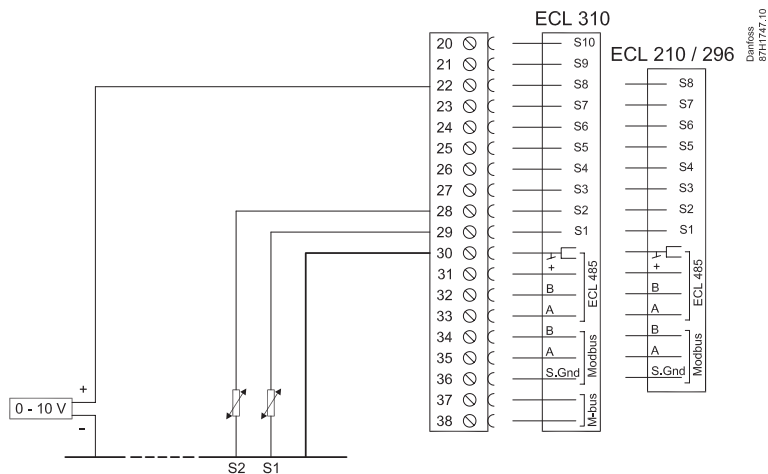
B:



A230.1

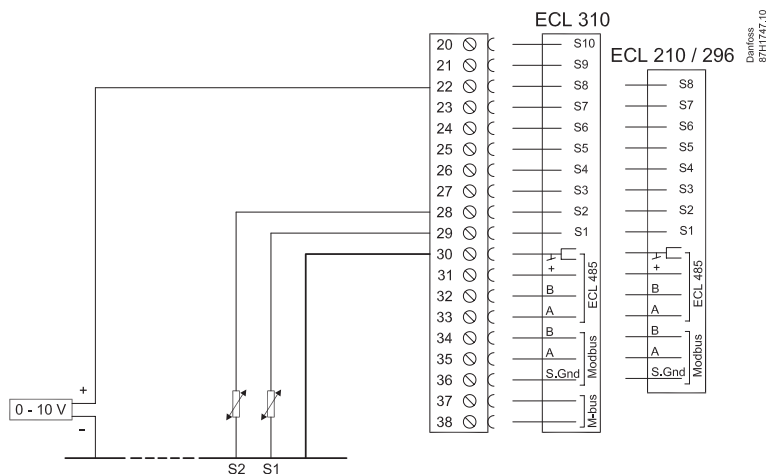


S8



A230.2

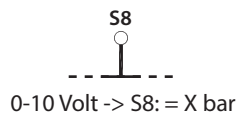
0 - 10 V



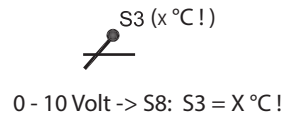
A230.4



A:

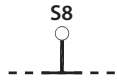


B:

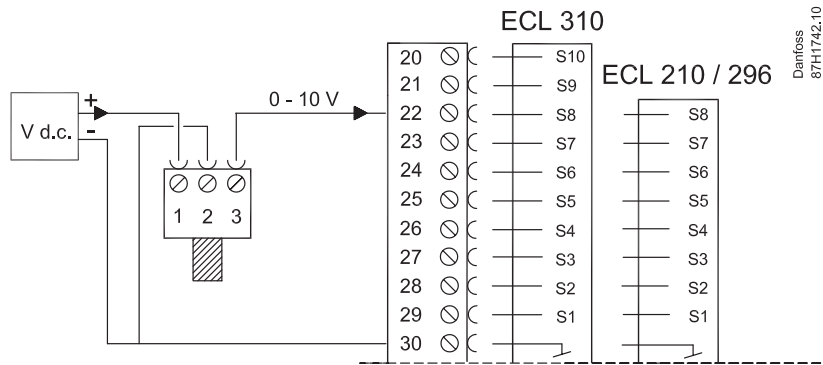




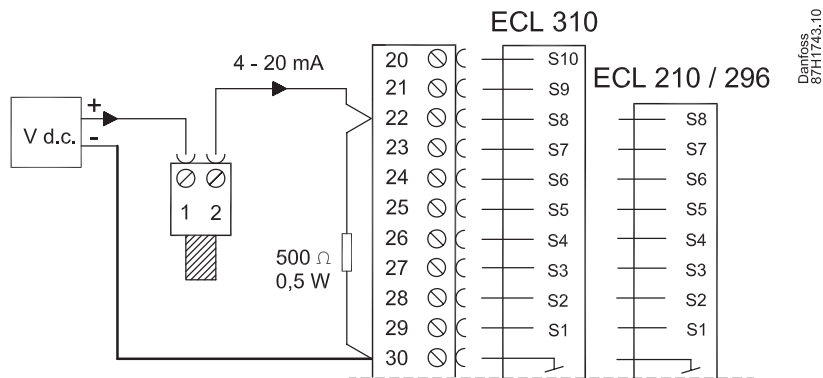
A:
A230.4



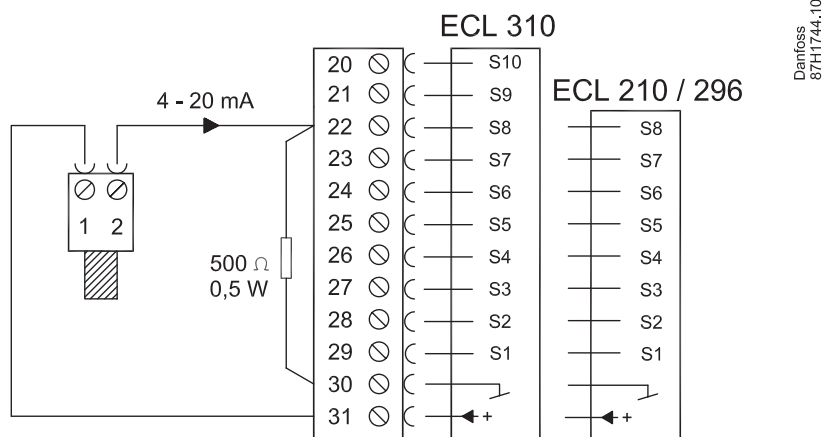
S8



Danfoss
87H1742.10



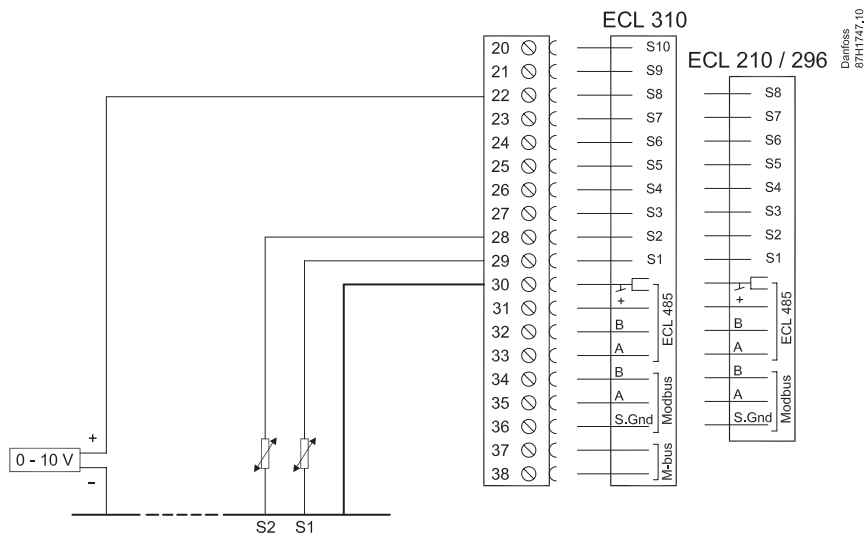
Danfoss
87H1743.10



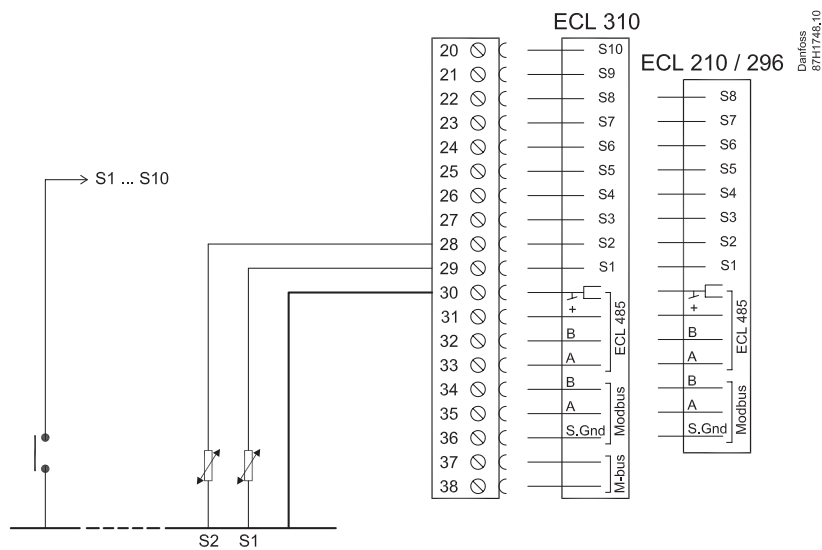
Danfoss
87H1744.10



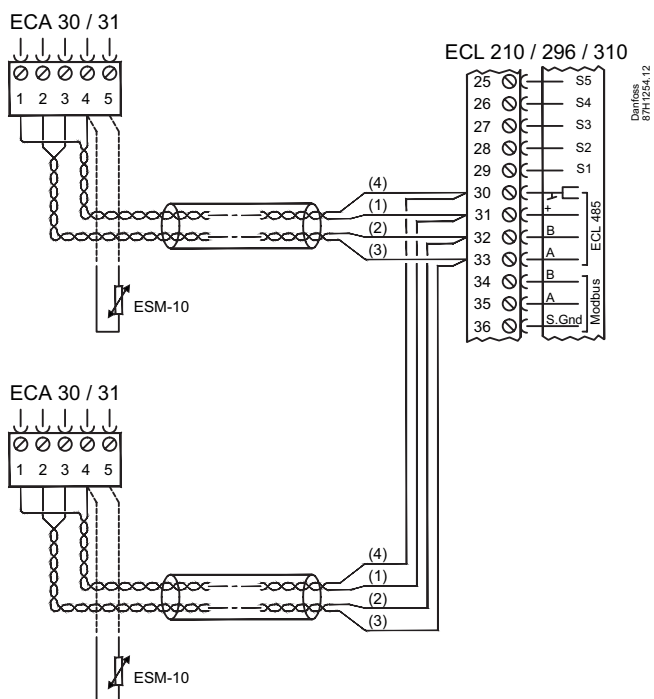
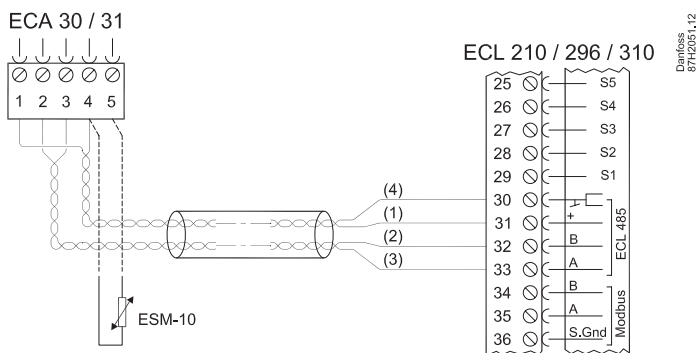
B



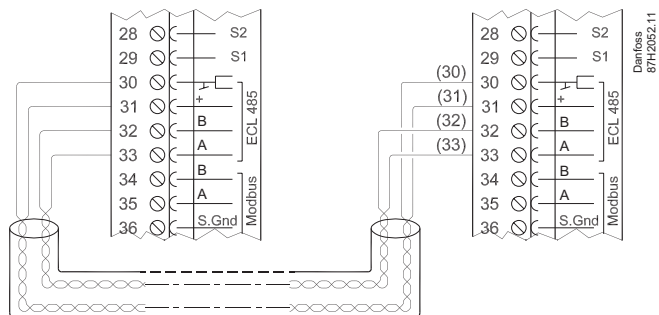
A230.1, A230.2, A230.4



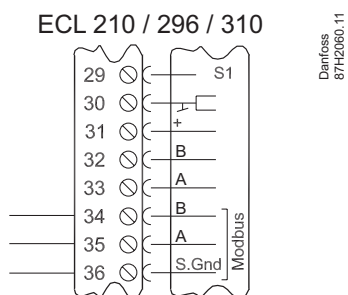
ECA 30 / 31



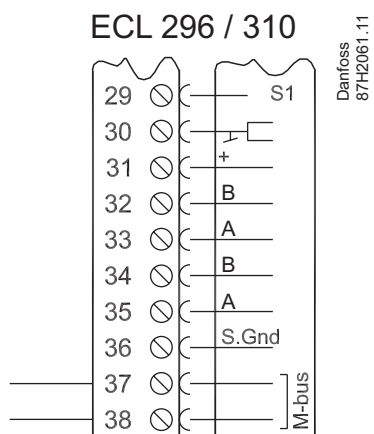
Master / slave



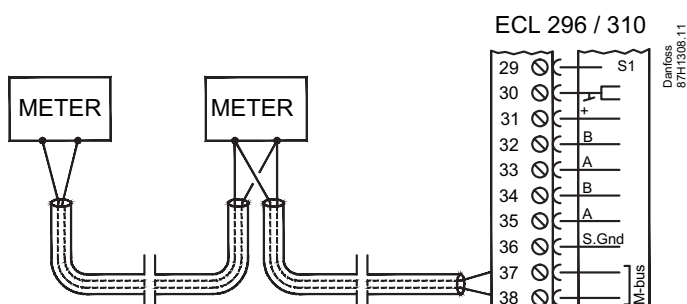
Modbus



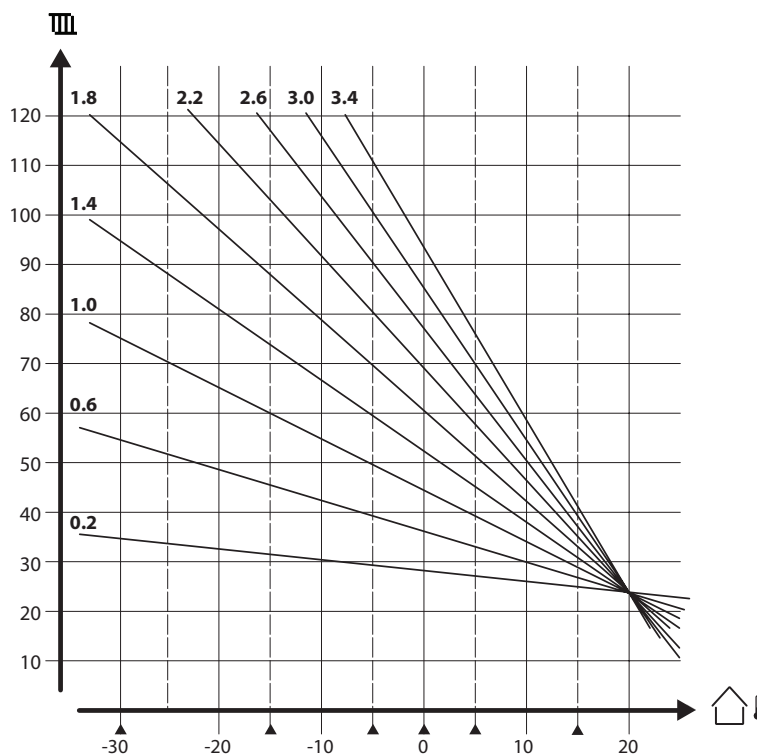
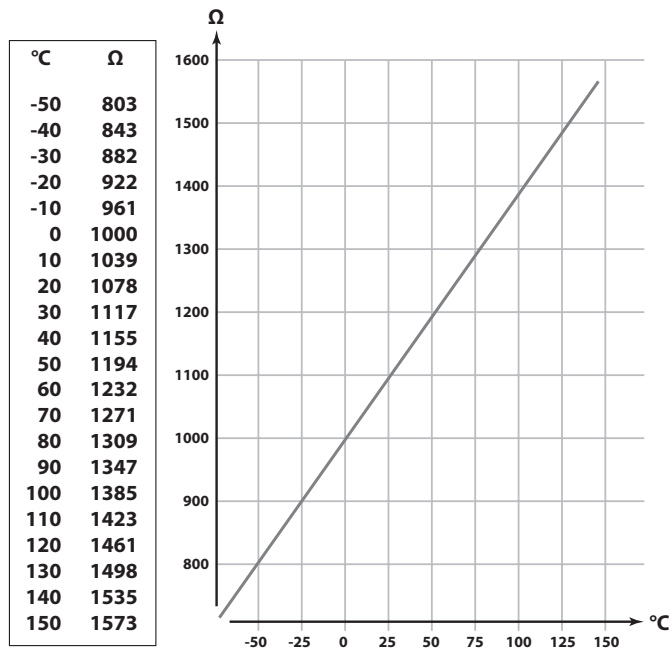
M-bus



M-bus

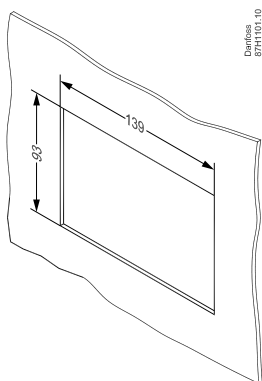


Pt 1000 (IEC 751B, 1000 Ω / 0 °C)

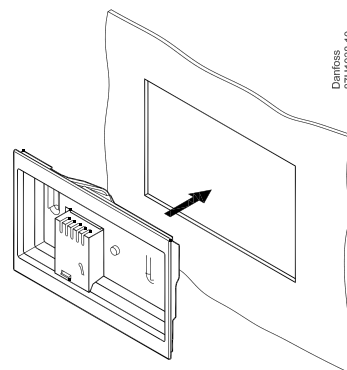


ECA 30

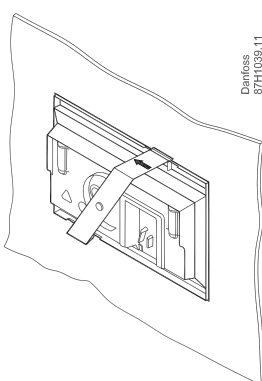
1



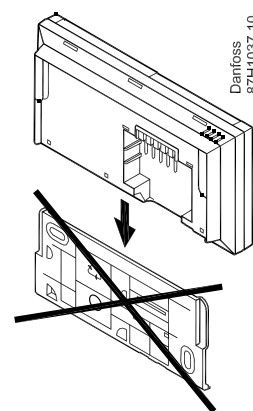
2



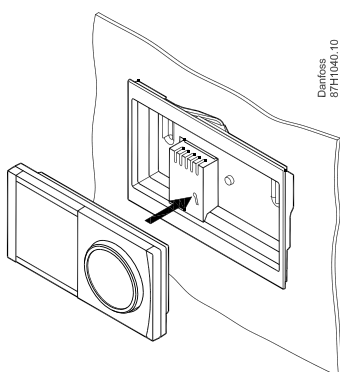
3



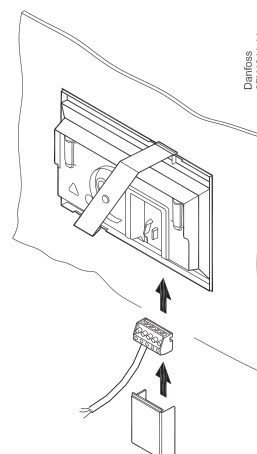
4



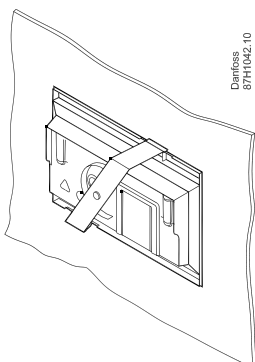
5



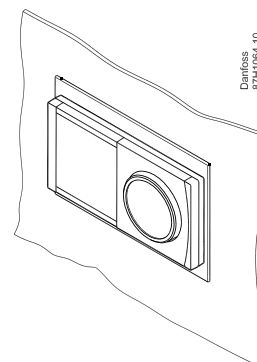
6



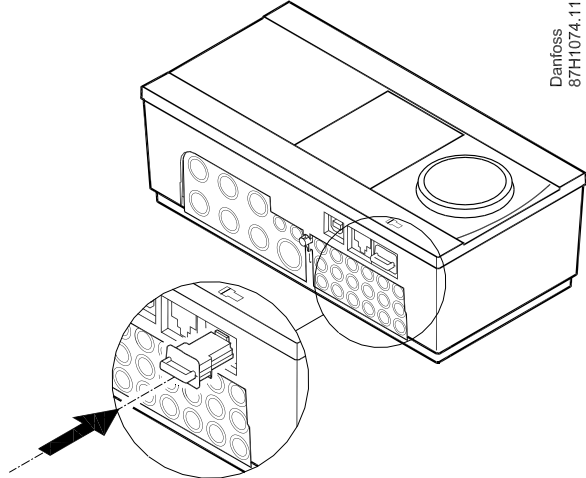
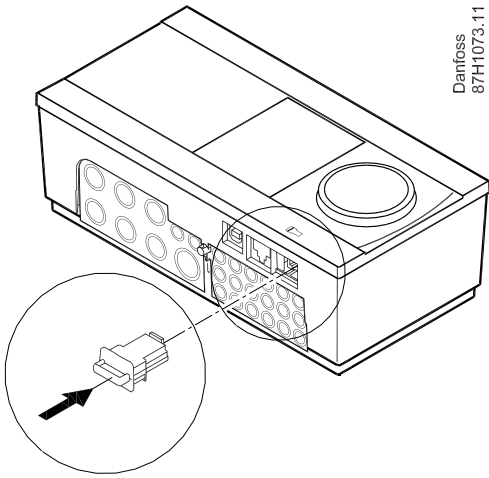
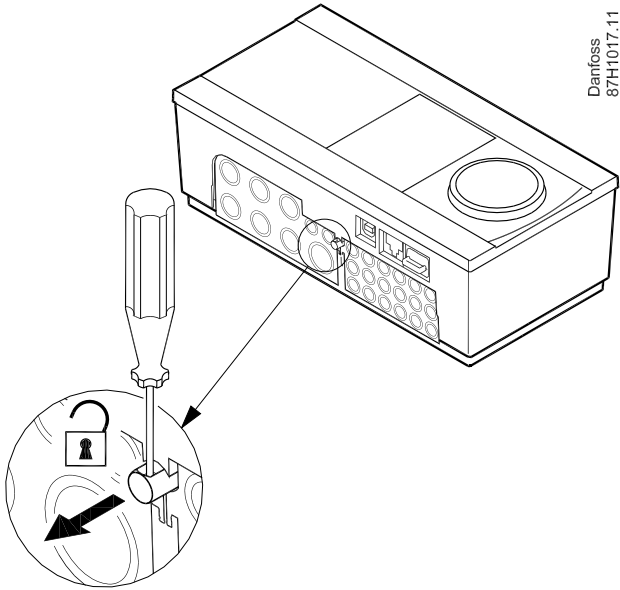
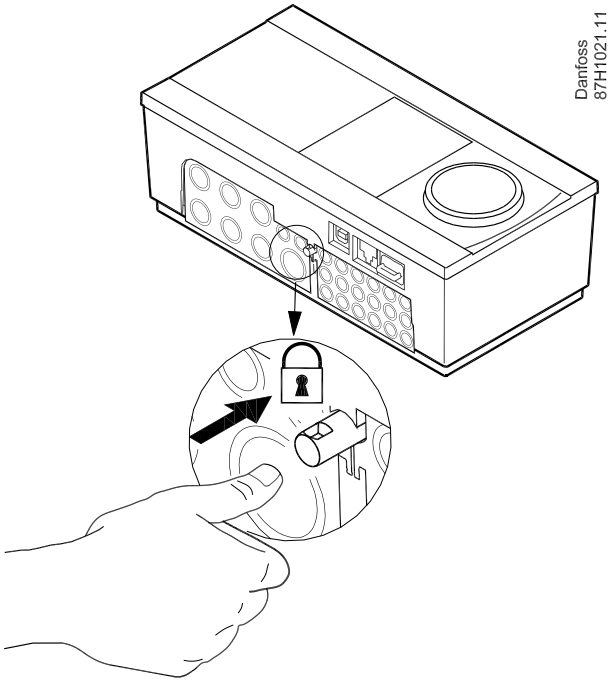
7



8



Installation Guide, ECL Comfort 210 / 296 / 310, A230



? **ECL Comfort 210 / 296 / 310, A230: www.heating.danfoss.com**



Danfoss can accept no responsibility for possible errors in catalogues, brochures and other printed material. Danfoss reserves the right to alter its products without notice. This also applies to products already on order provided that such alterations can be made without consequential changes being necessary in specifications already agreed. All trademarks in this material are property of the respective companies. Danfoss and the Danfoss logotype are trademarks of Danfoss A/S. All rights reserved.