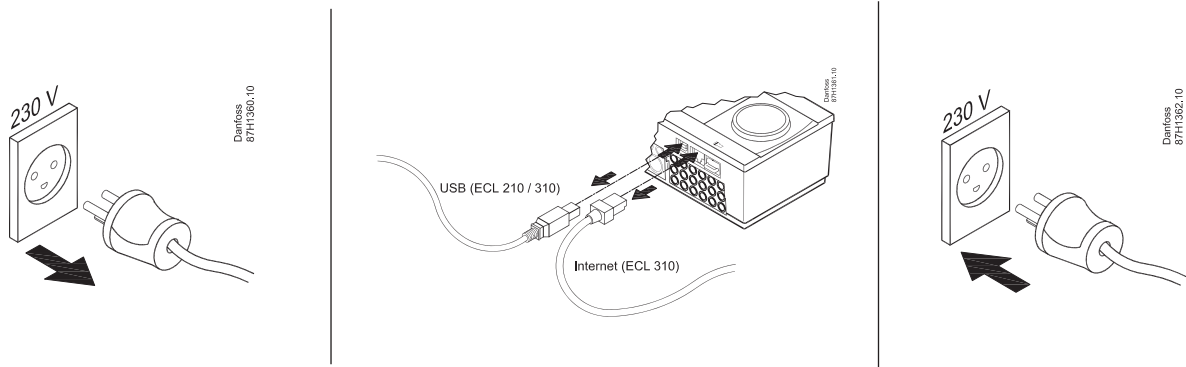
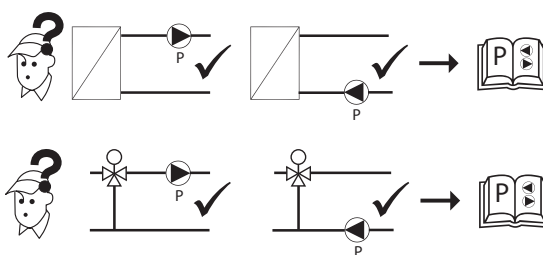
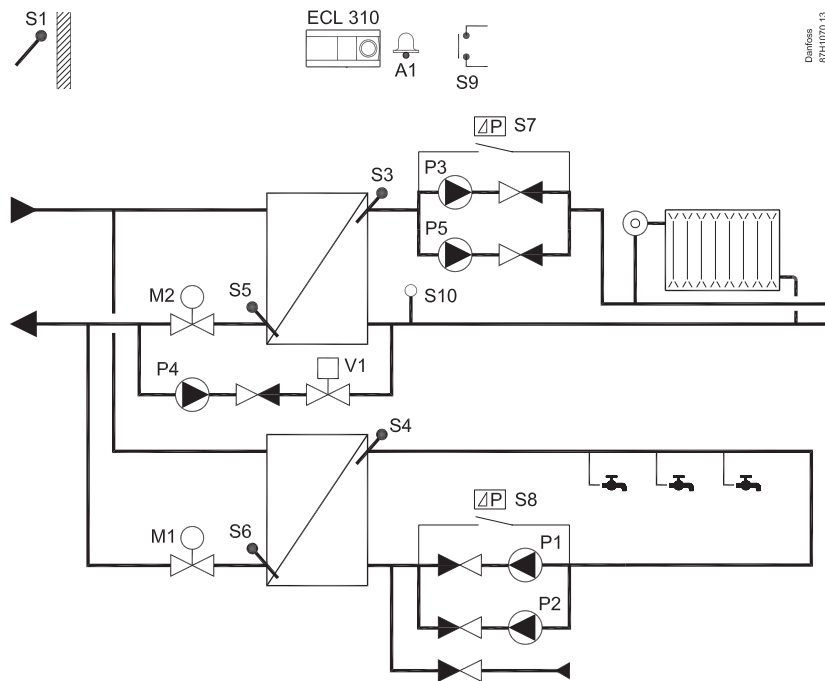


Installation Guide

ECL Comfort 310, A368 (code no. 087H3803)

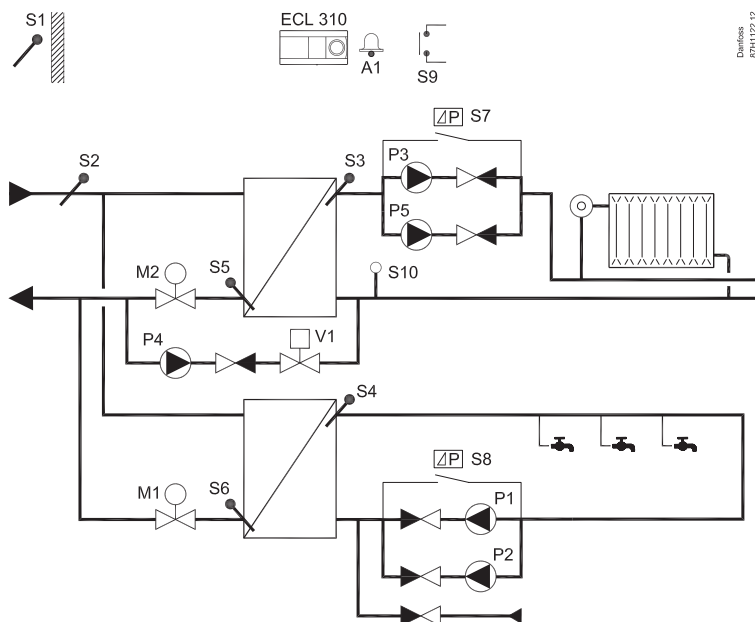


A368.1, ex. a:

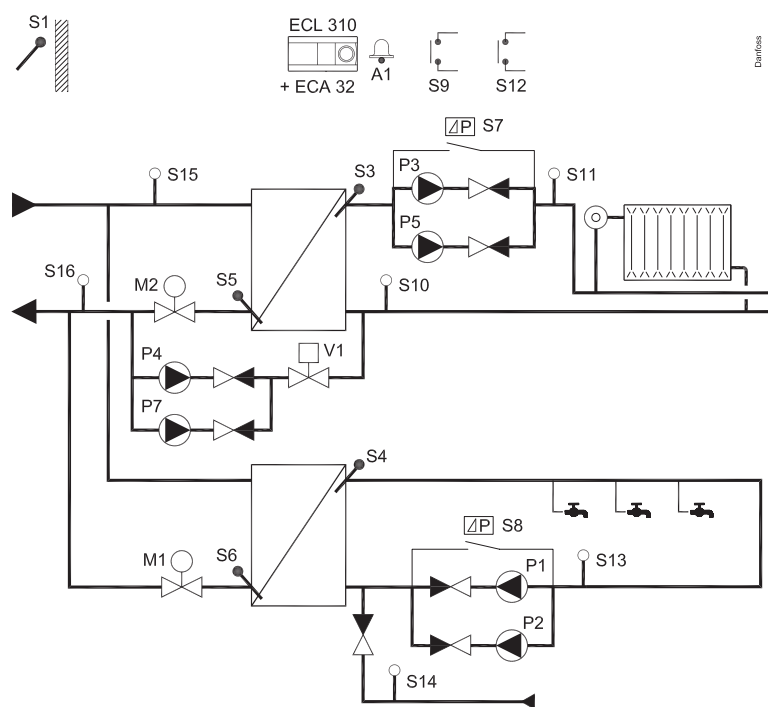


Installation Guide, ECL Comfort 310, A368

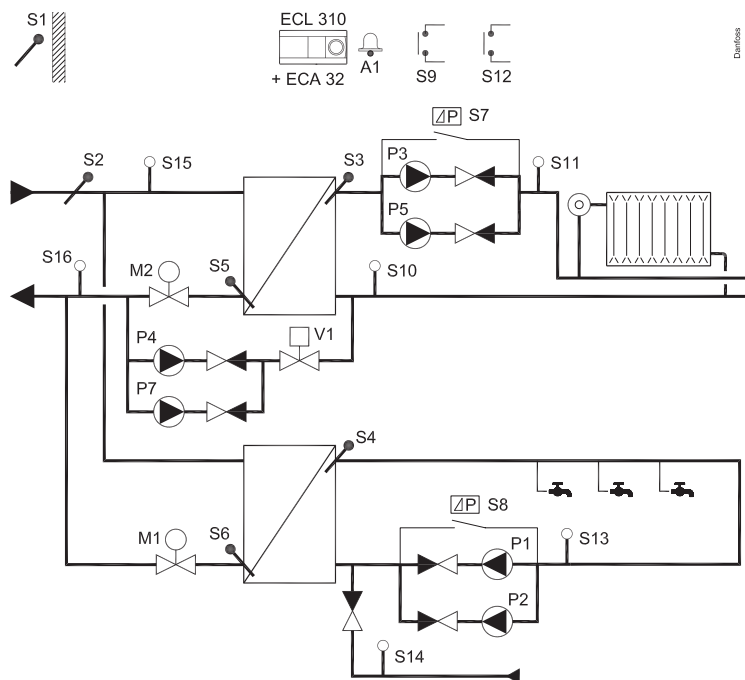
A368.2, ex. a:



A368.3, ex. a:

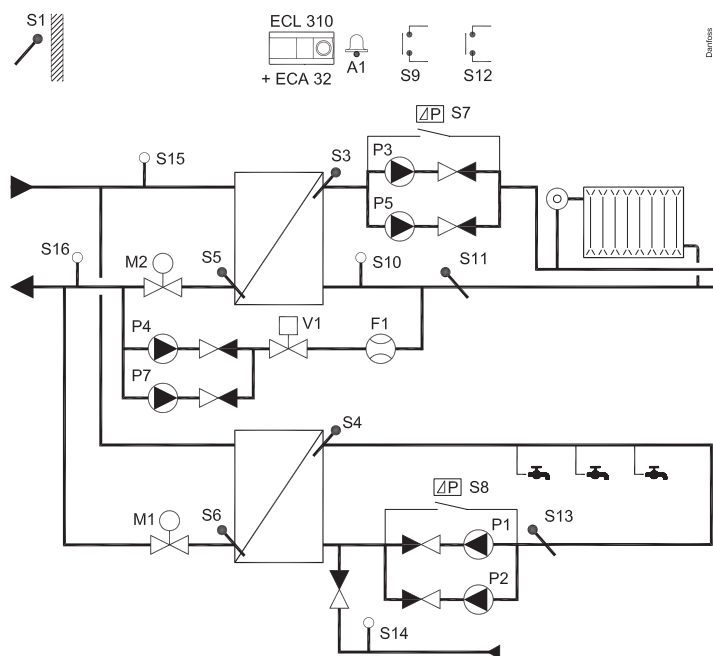


A368.4, ex. a:



Danfoss
877H123.12

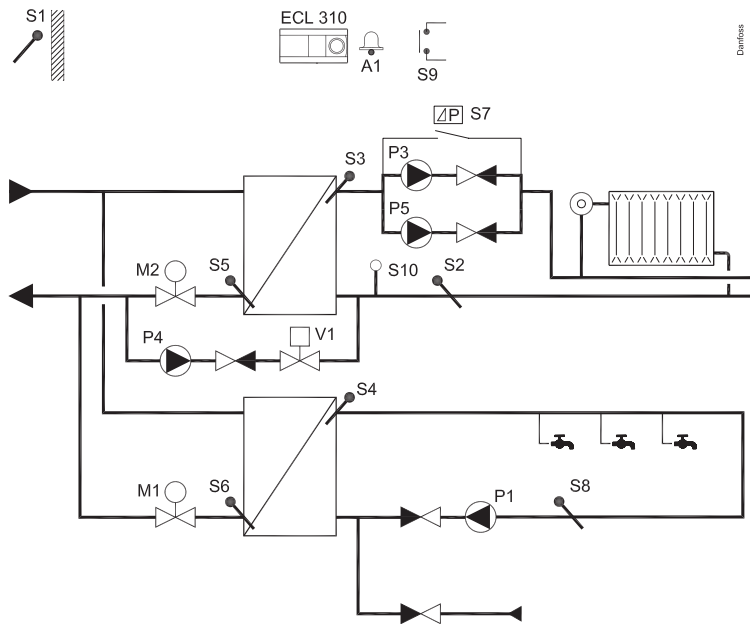
A368.5, ex. a:



Danfoss
877H123.11

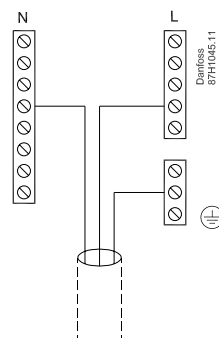
Installation Guide, ECL Comfort 310, A368

A368.6, ex. a:






ECL Comfort 310:
230 V a.c.

R		4 (2) A / 230 V a.c.
R		
Tr		0,2 A / 230 V a.c.

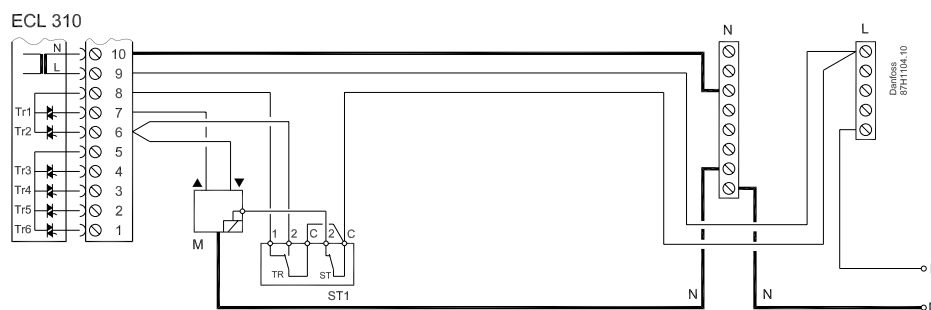
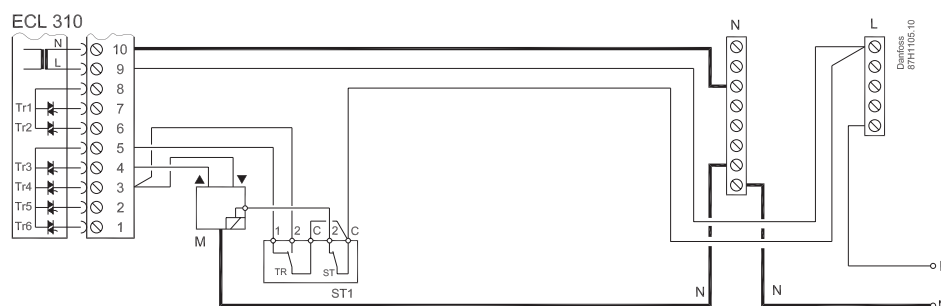


ECL Comfort 310:

24 V a.c.

R 	4 (2) A / 24 V a.c.
R 	
Tr 	1 A / 24 V a.c.

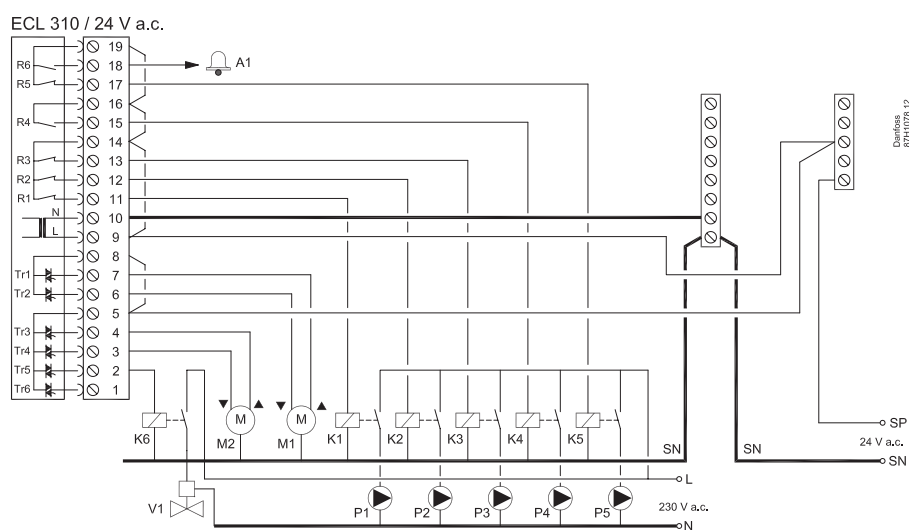
24 V a.c. / 230 V a.c. safety thermostat



Installation Guide, ECL Comfort 310, A368

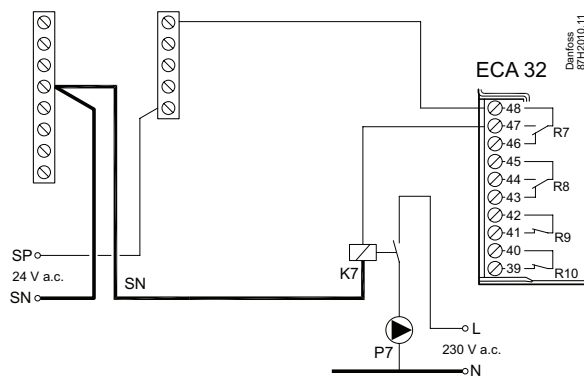
24 V a.c., A368 (ECL 310)

	P1	P2	P3	P4	P5
A368.1	✓	✓	✓	✓	✓
A368.2	✓	✓	✓	✓	✓
A368.3	✓	✓	✓	✓	✓
A368.4	✓	✓	✓	✓	✓
A368.5	✓	✓	✓	✓	✓
A368.6	✓		✓	✓	✓



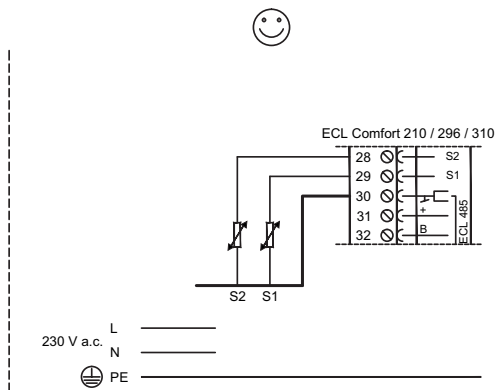
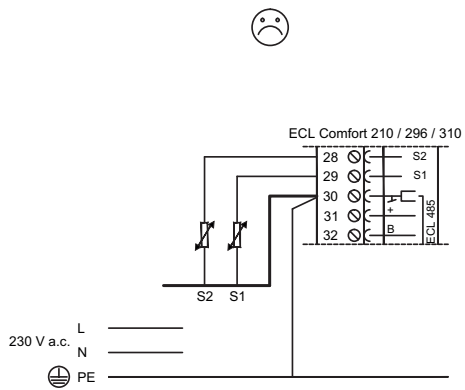
24 V a.c., A368 (ECA32)

	P7
A368.1	
A368.2	
A368.3	✓
A368.4	✓
A368.5	✓
A368.6	



Installation Guide, ECL Comfort 310, A368

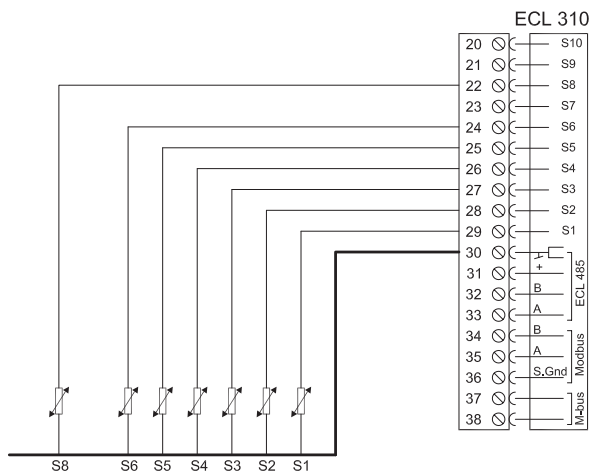
Pt 1000 (1000 Ω / 0 °C)



Danfoss
87H1487.11

A368 (ECL 310)

	S1	S2	S3	S4	S5	S6	S7	S8
A368.1	✓		✓	✓	✓	✓		
A368.2	✓	✓	✓	✓	✓	✓		
A368.3	✓		✓	✓	✓	✓		
A368.4	✓	✓	✓	✓	✓	✓		
A368.5	✓		✓	✓	✓	✓		
A368.6	✓	✓	✓	✓	✓	✓		✓

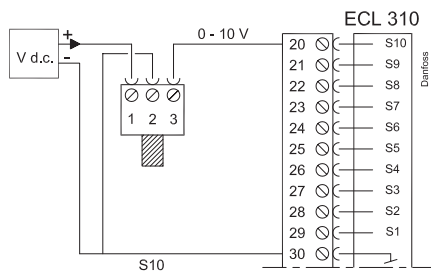


Danfoss
87H1388.11

A368 (ECL 310)

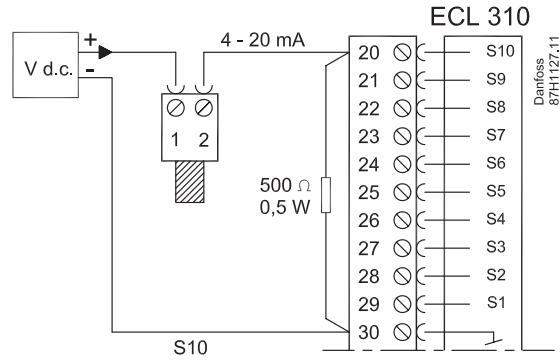


	S10
A368.1	✓
A368.2	✓
A368.3	✓
A368.4	✓
A368.5	✓
A368.6	✓



V d.c. = 12 - 24 V d.c.

A368 (ECL 310)

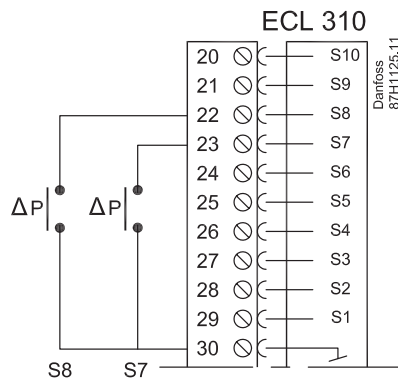


V d.c. = 12 - 24 V d.c.

A368 (ECL 310)



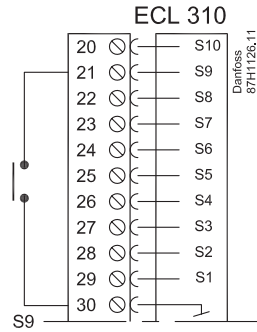
	S7	S8
A368.1	✓	✓
A368.2	✓	✓
A368.3	✓	✓
A368.4	✓	✓
A368.5	✓	✓
A368.6	✓	



A368 (ECL 310)



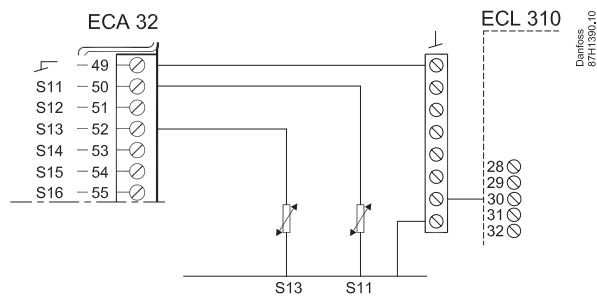
S9



A368, ECA 32

Pt 1000 (1000 Ω / 0 °C)

	S11	S12	S13	S14	S15	S16
A368.1						
A368.2						
A368.3						
A368.4						
A368.5	✓		✓			
A368.6						

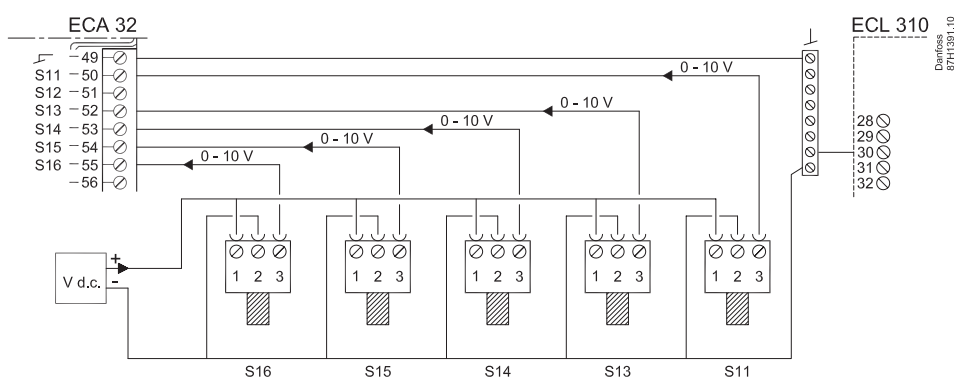


Installation Guide, ECL Comfort 310, A368

A368, ECA 32

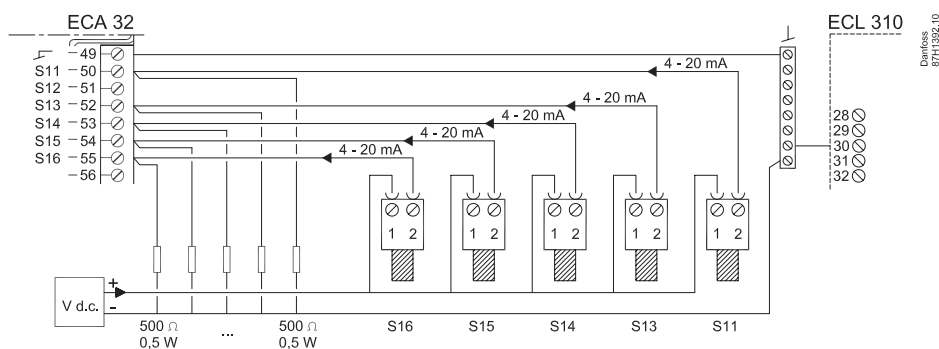


	S11	S12	S13	S14	S15	S16
A368.1						
A368.2						
A368.3	✓		✓	✓	✓	✓
A368.4	✓		✓	✓	✓	✓
A368.5				✓	✓	✓
A368.6						



V d.c. = 12 - 24 V d.c.

A368, ECA 32



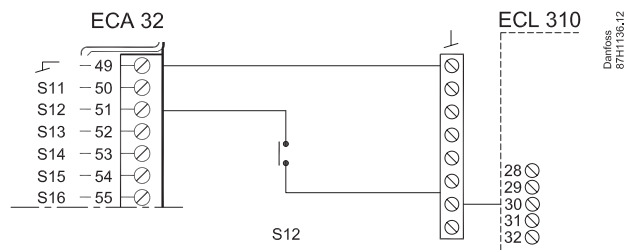
V d.c. = 12 - 24 V d.c.

A368.5, ECA 32



S12

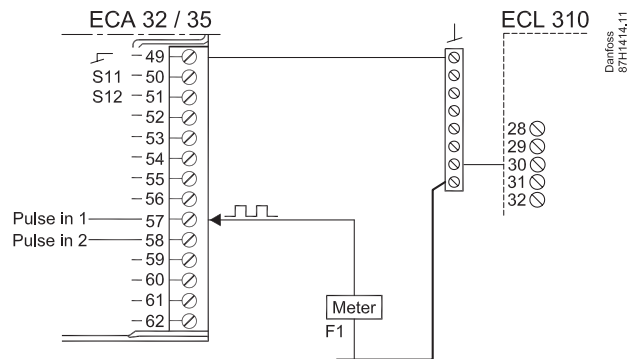
	S12
A368.1	
A368.2	
A368.3	✓
A368.4	✓
A368.5	✓
A368.6	



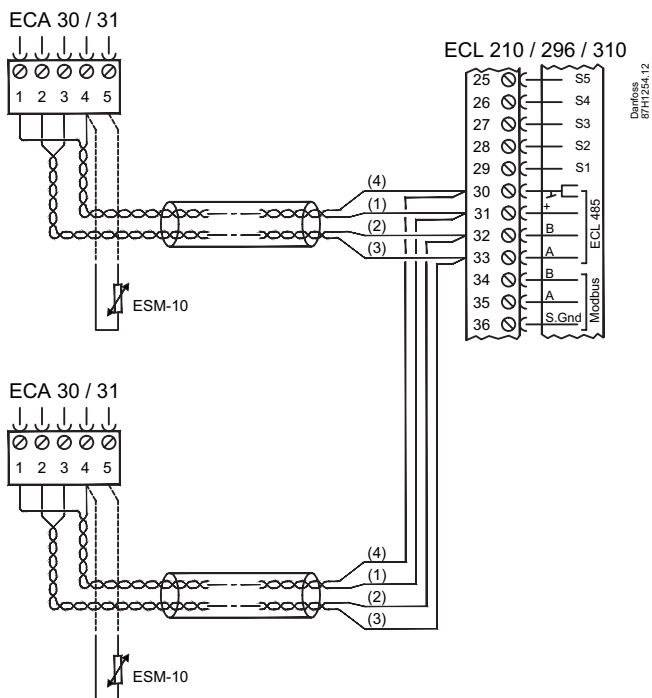
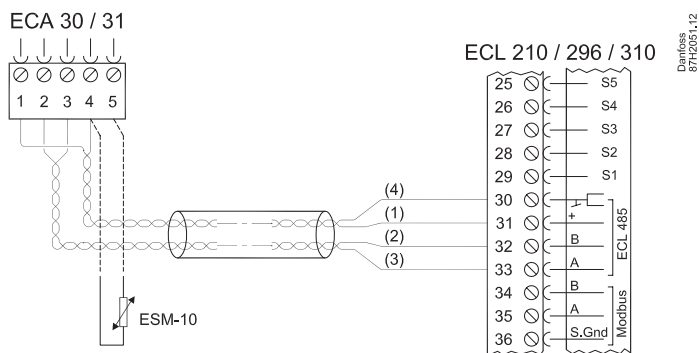
A368.5, ECA 32



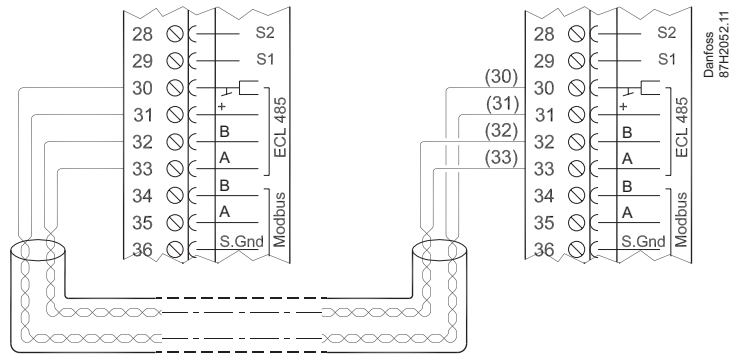
F1



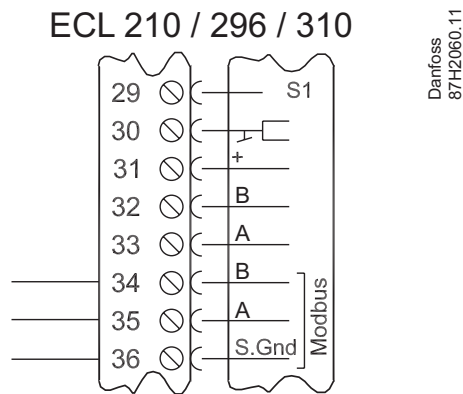
ECA 30 / 31



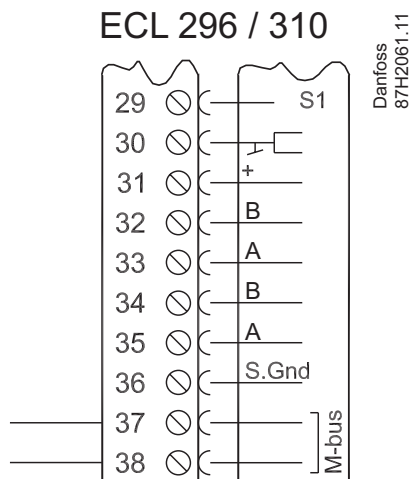
Master / slave



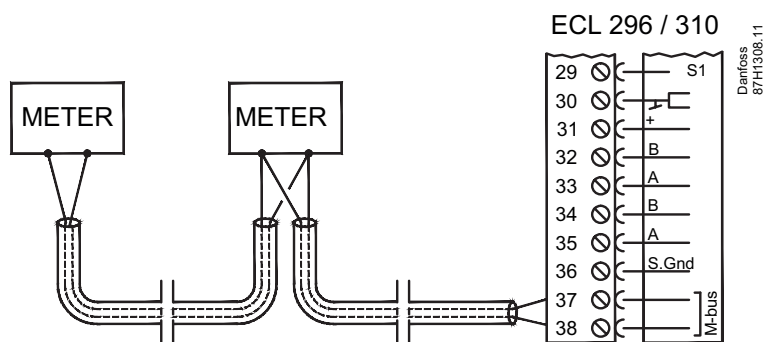
Modbus



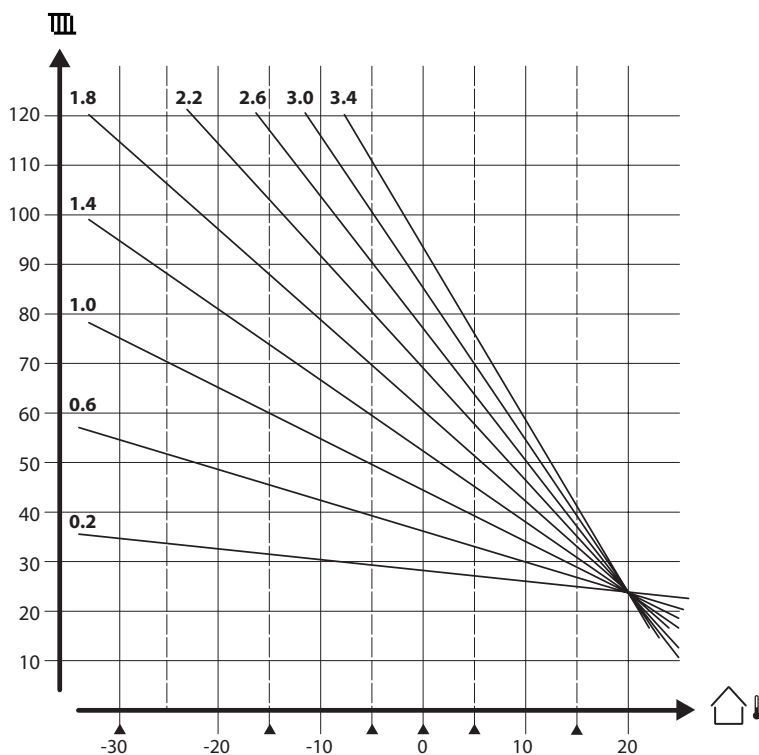
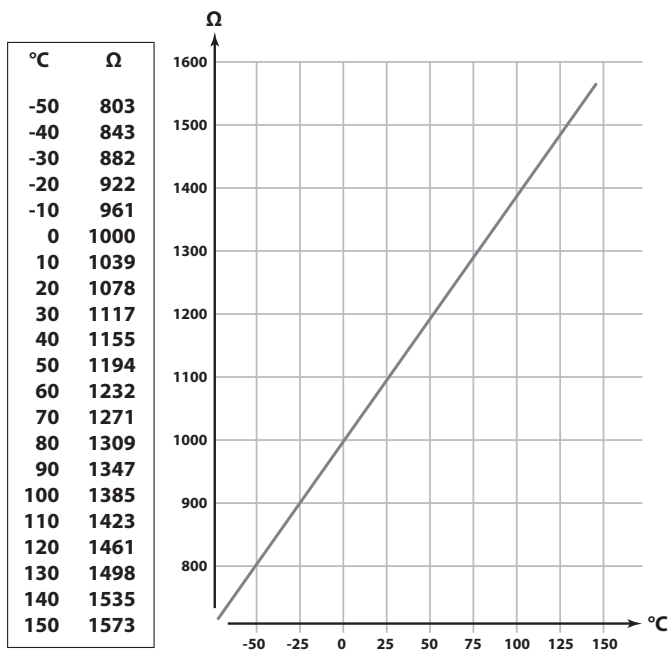
M-bus



M-bus



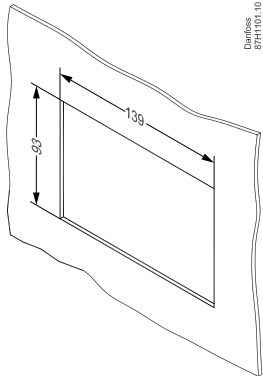
Pt 1000 (IEC 751B, 1000 Ω / 0 °C)



Installation Guide, ECL Comfort 310, A368

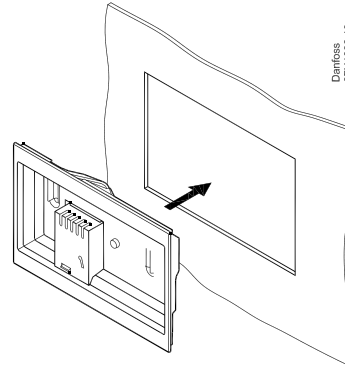
ECA 30

1



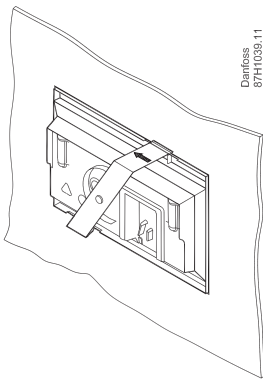
Danfoss
87H101.10

2



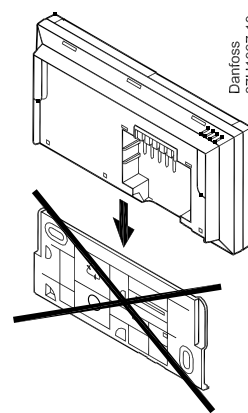
Danfoss
87H1038.10

3



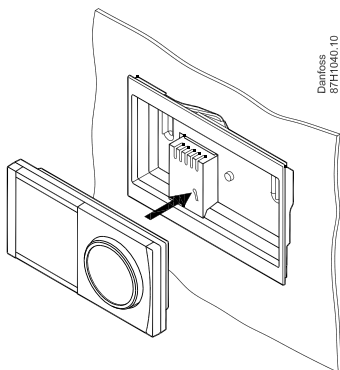
Danfoss
87H1039.11

4



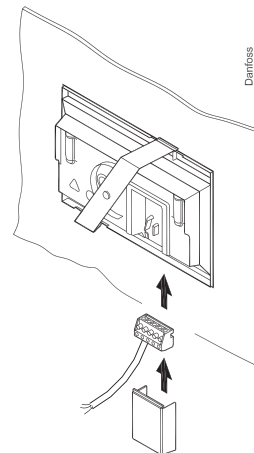
Danfoss
87H1037.10

5



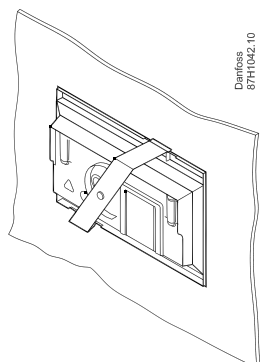
Danfoss
87H1040.10

6



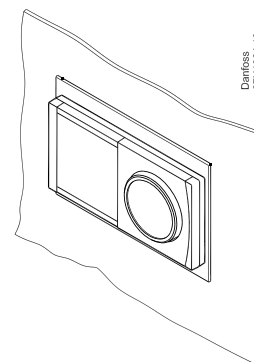
Danfoss
87H1041.11

7



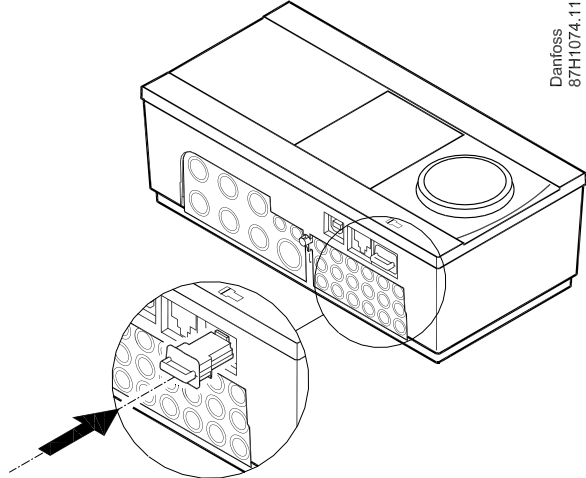
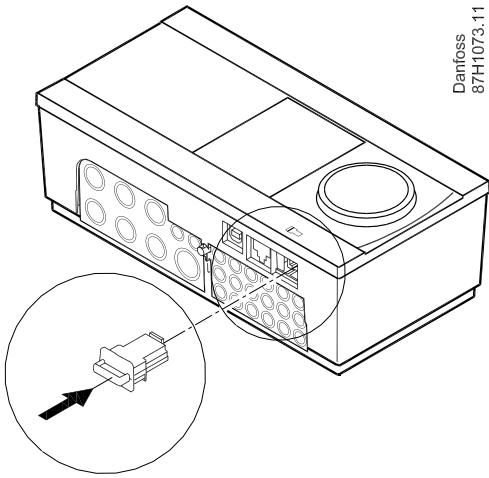
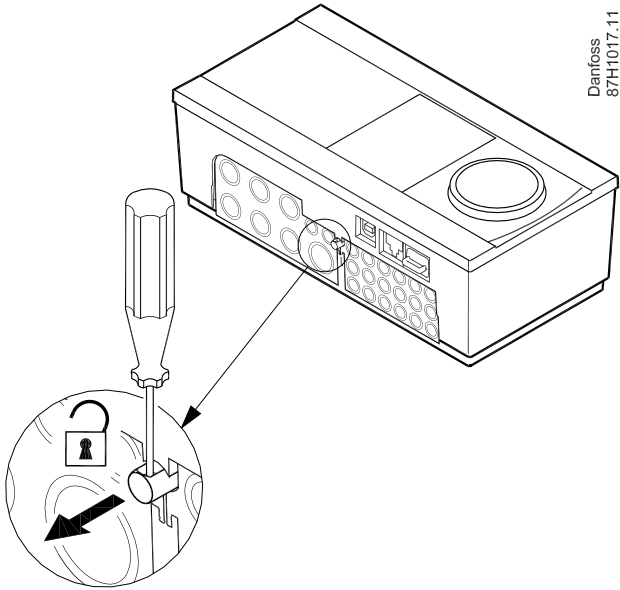
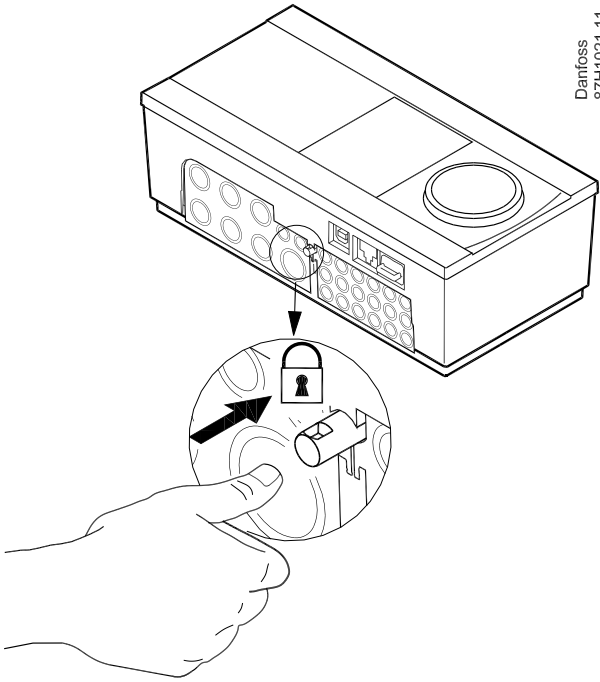
Danfoss
87H1042.10

8



Danfoss
87H1064.10

Installation Guide, ECL Comfort 310, A368



? **ECL Comfort 310, A368: www.heating.danfoss.com**



Danfoss can accept no responsibility for possible errors in catalogues, brochures and other printed material. Danfoss reserves the right to alter its products without notice. This also applies to products already on order provided that such alterations can be made without consequential changes being necessary in specifications already agreed. All trademarks in this material are property of the respective companies. Danfoss and the Danfoss logotype are trademarks of Danfoss A/S. All rights reserved.