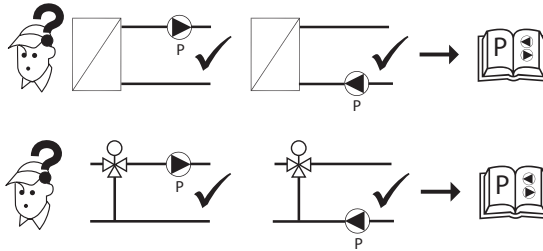
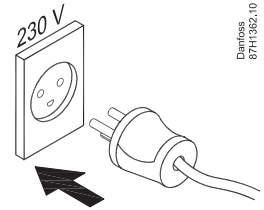
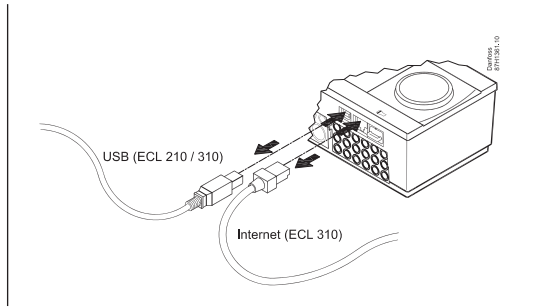
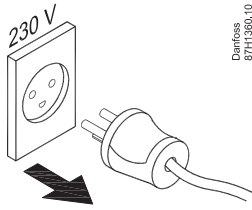
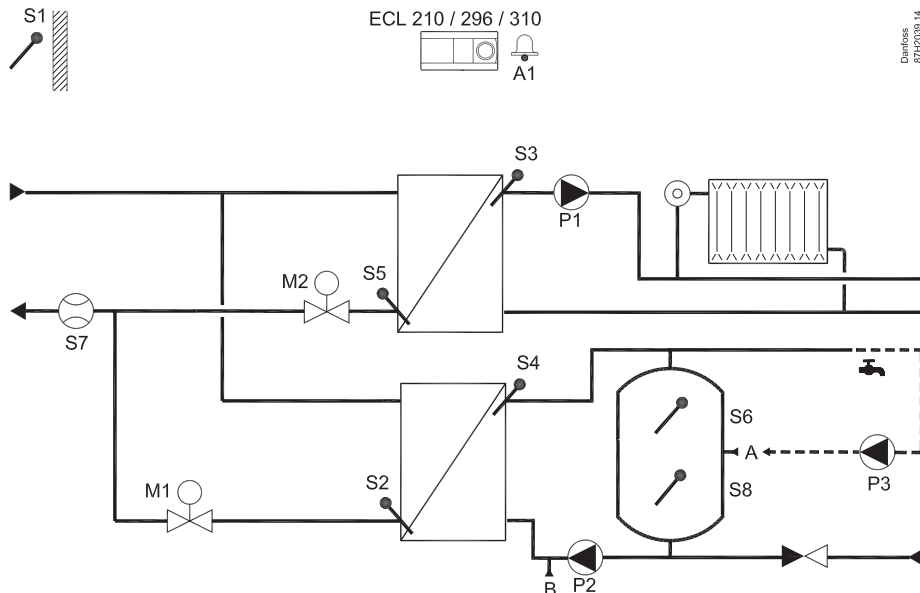


Installation Guide

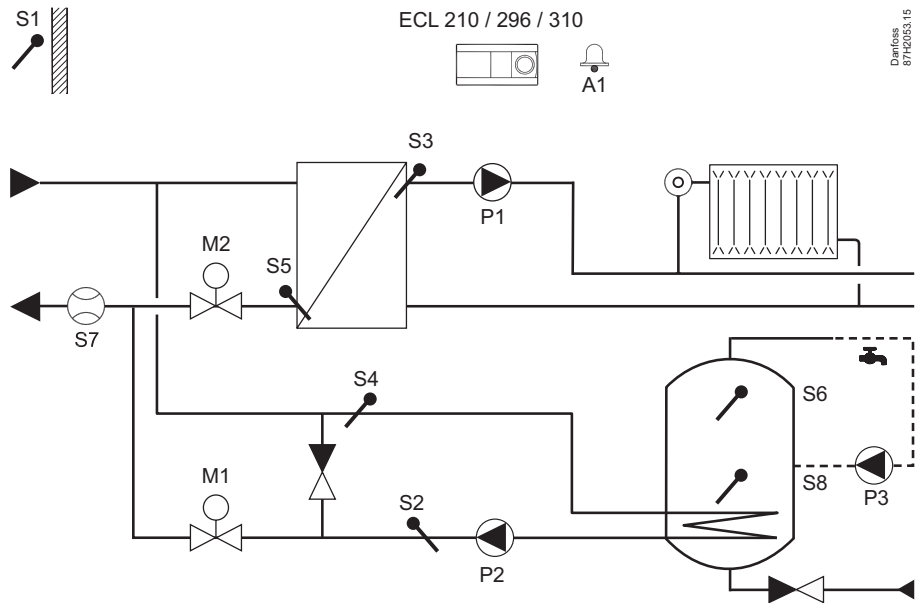
ECL Comfort 210 / 296 / 310, A247 / A347 (code no. 087H3808, 087H3822)



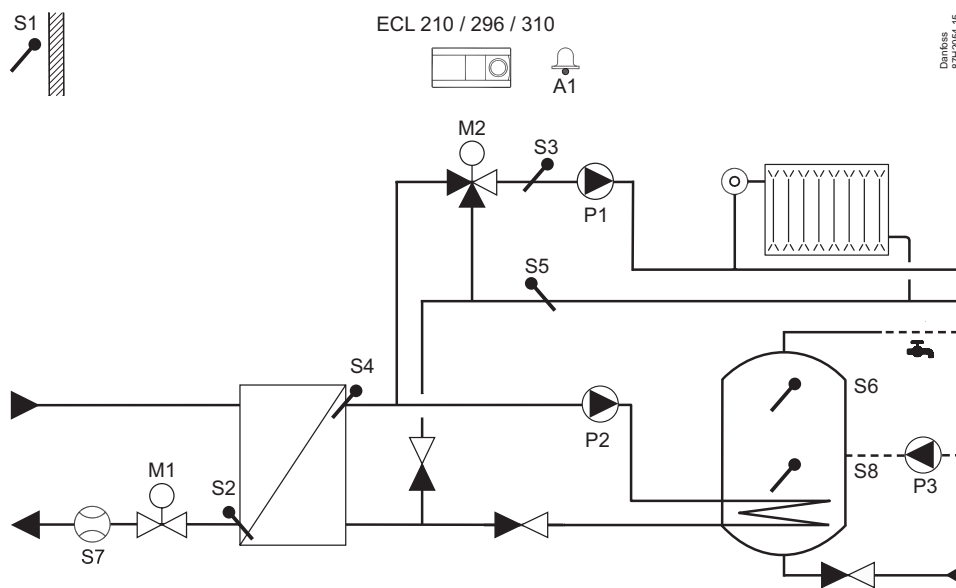
A247.1, ex. a:



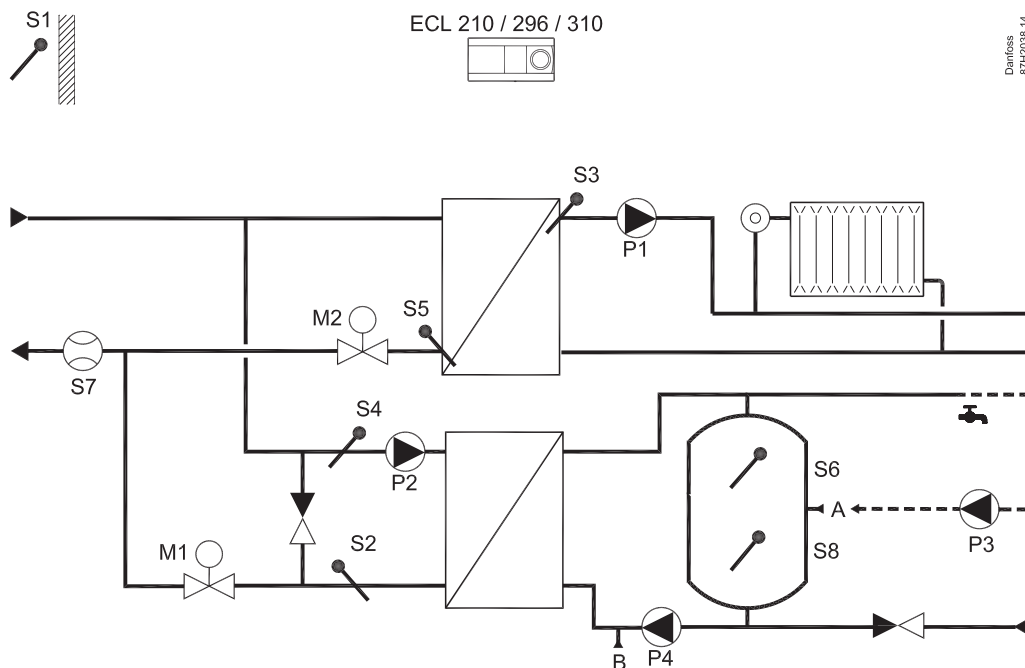
A247.1, ex. b:



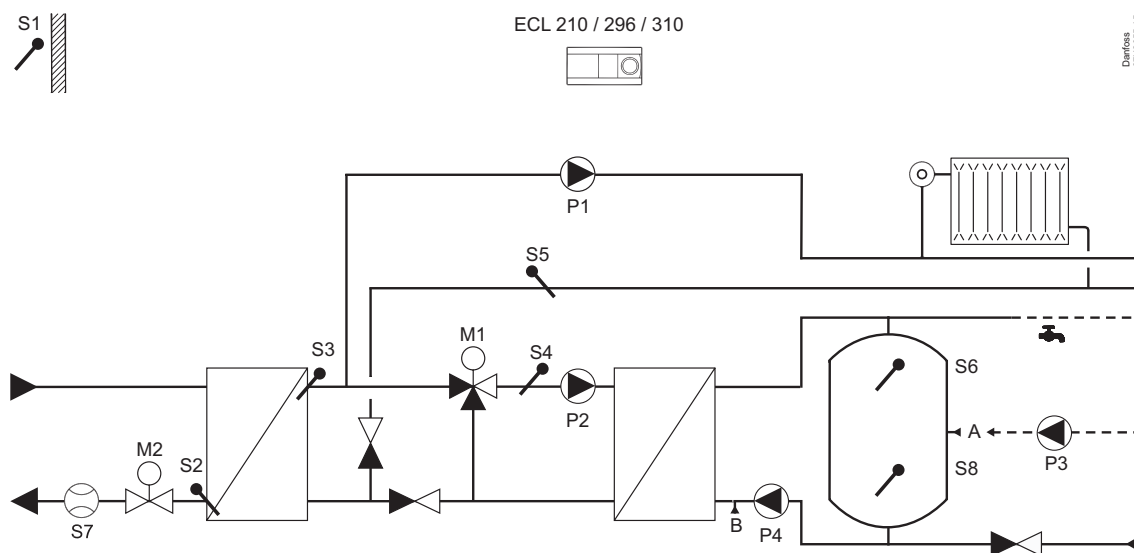
A247.1, ex. c:



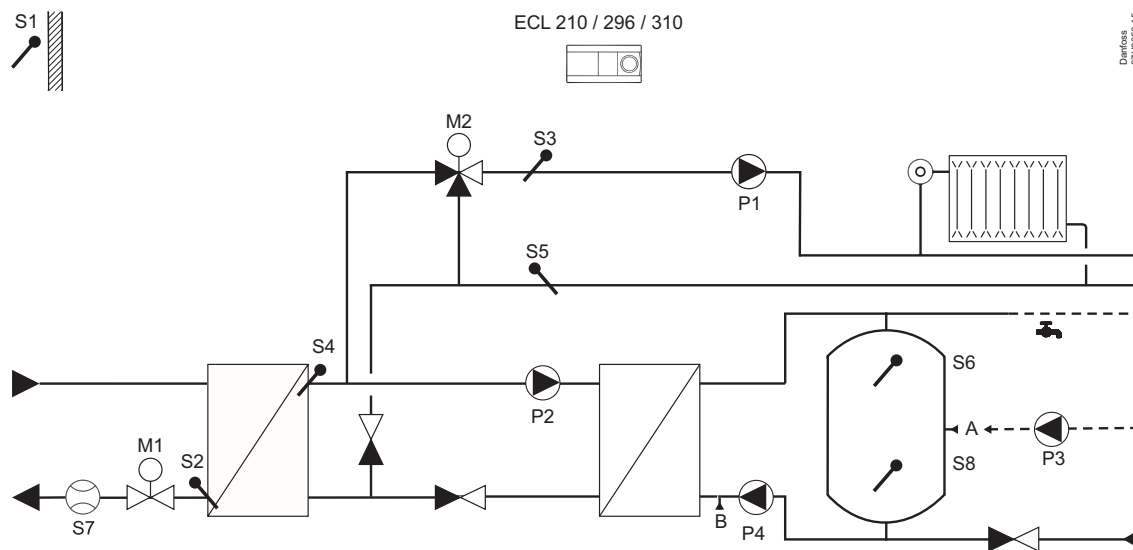
A247.2, ex. a:



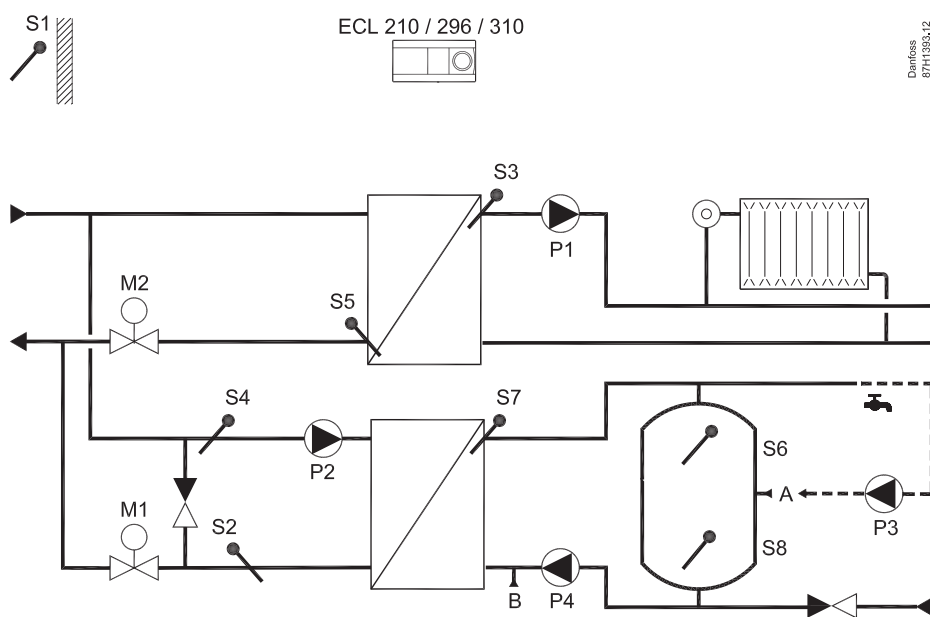
A247.2, ex. b:



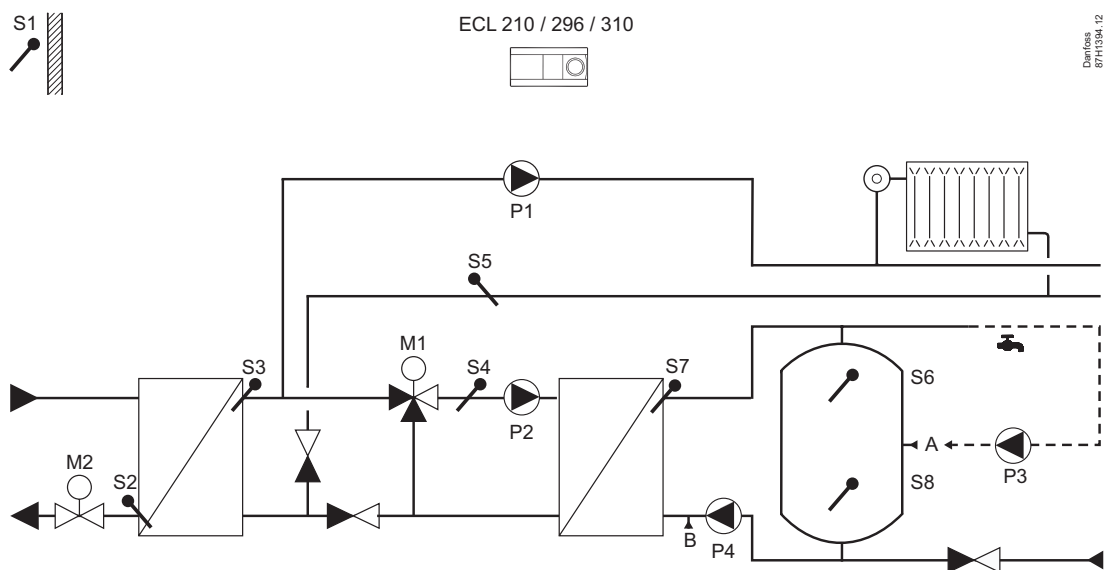
A247.2, ex. c:



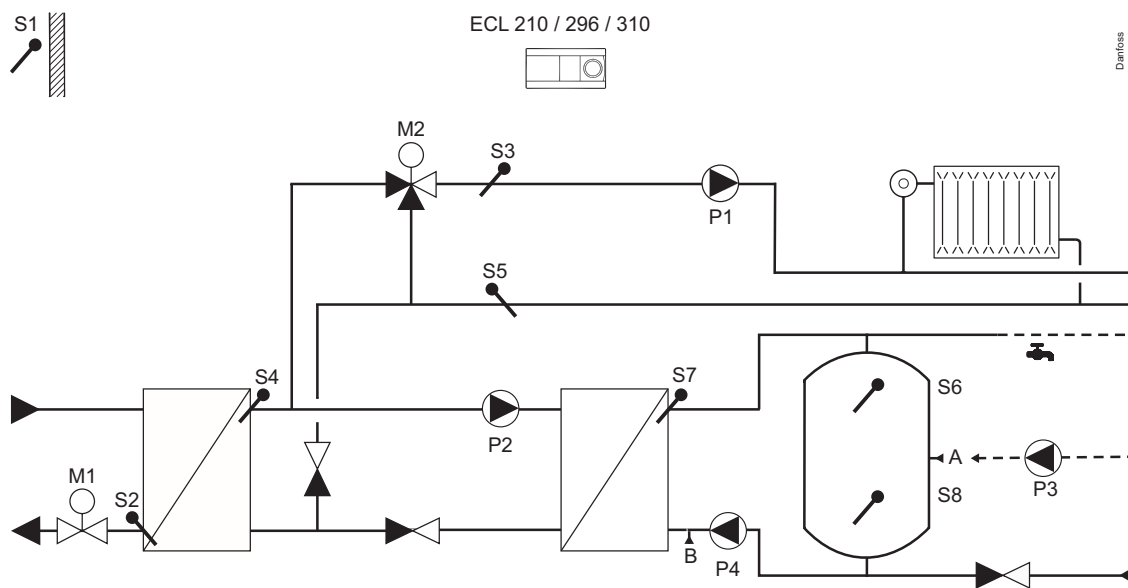
A247.3, ex. a:



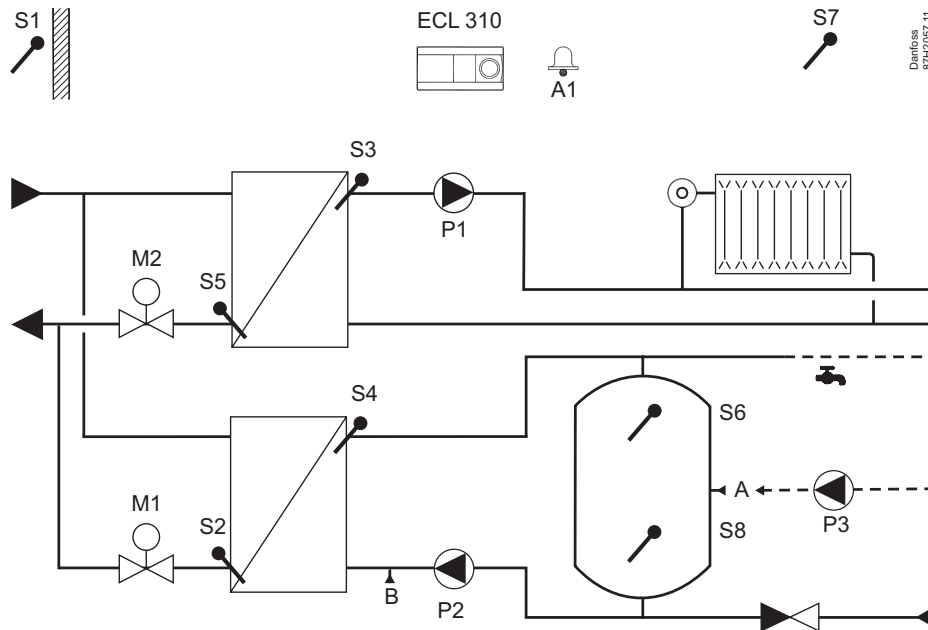
A247.3, ex. b:



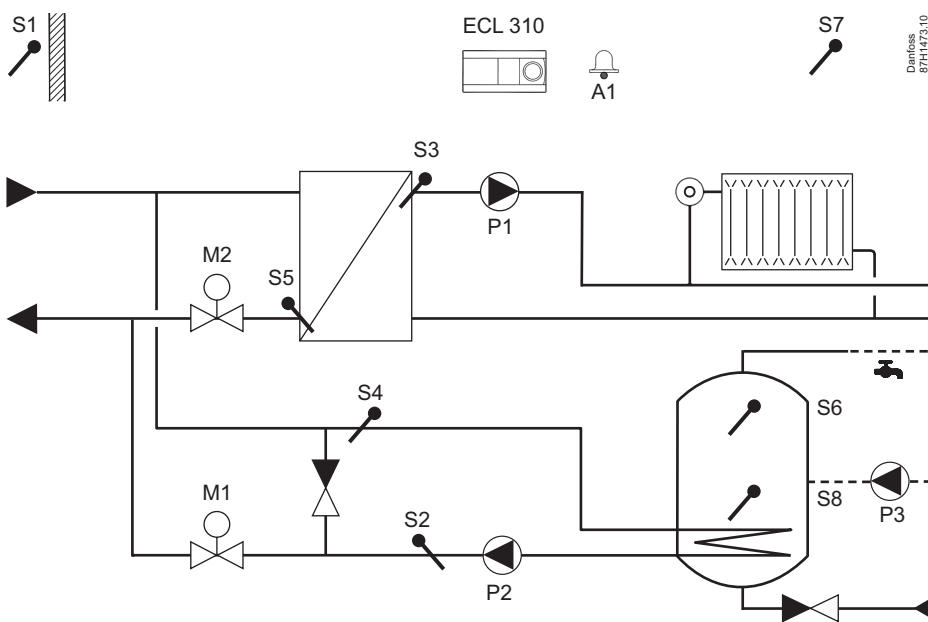
A247.3, ex. c:



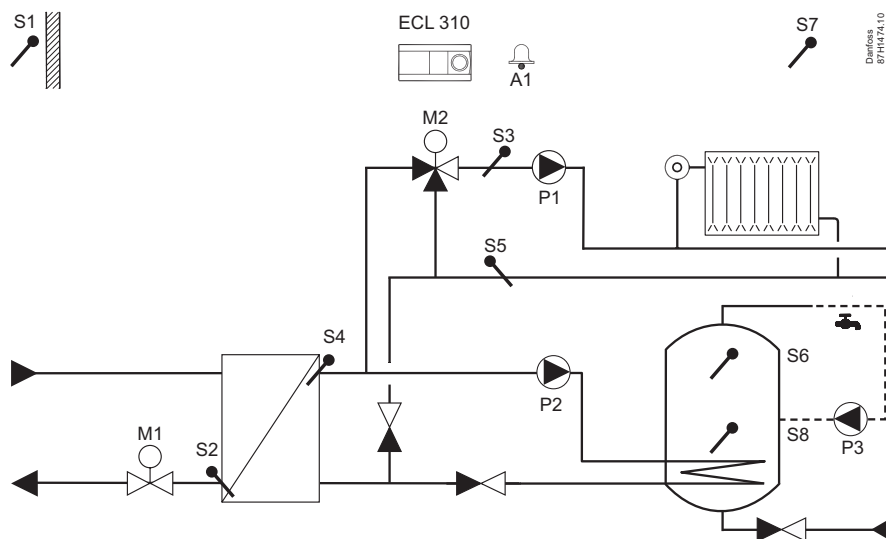
A347.1, ex. a:



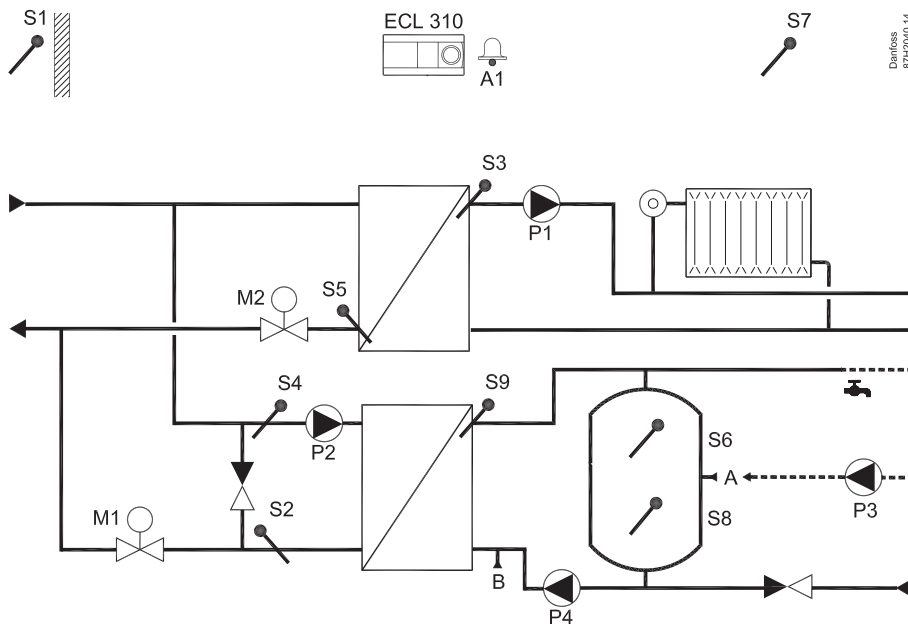
A347.1, ex. b:



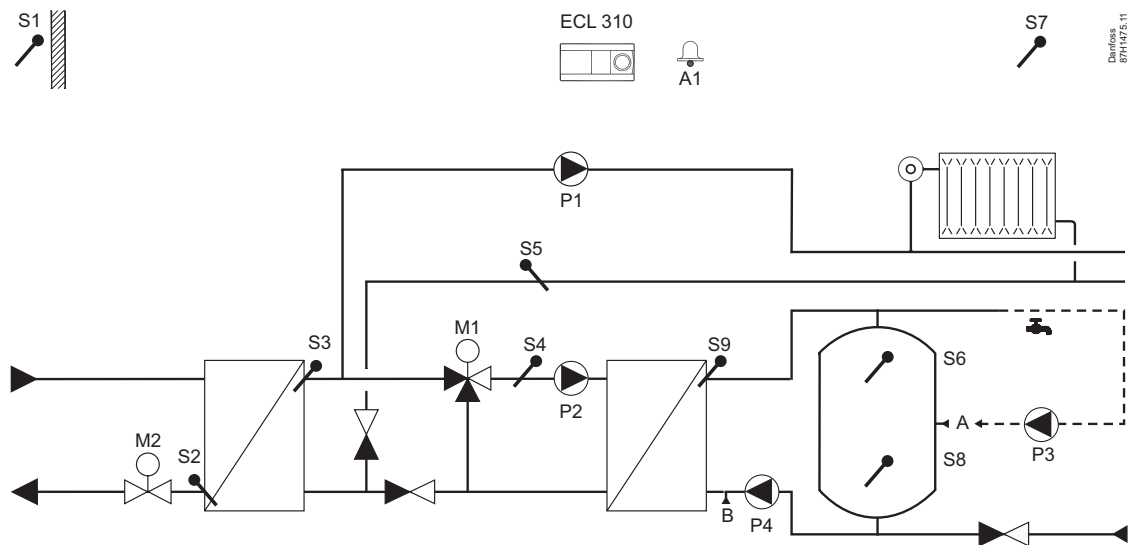
A347.1, ex. c:



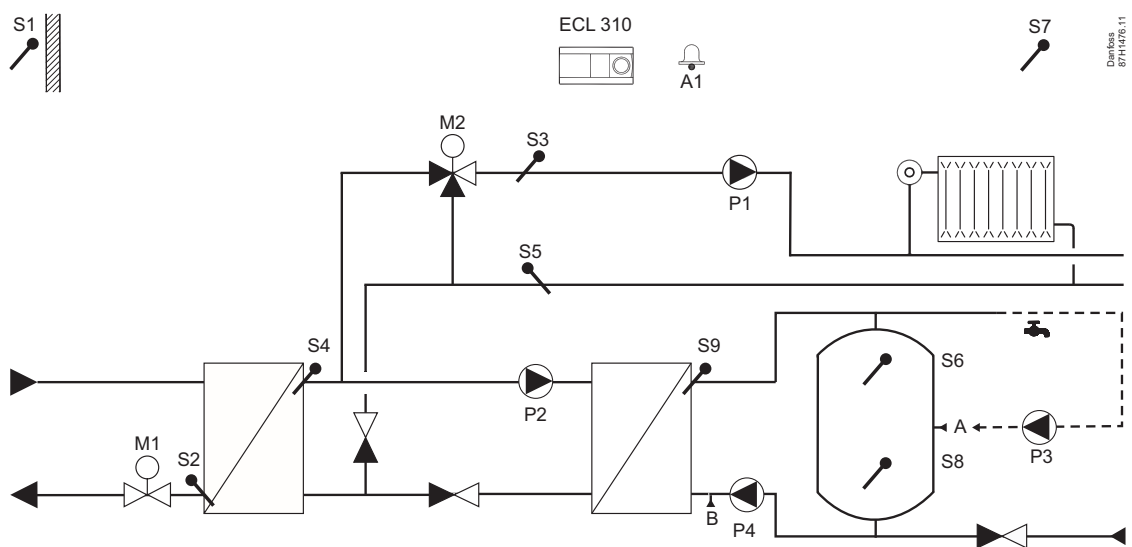
A347.2, ex. a:



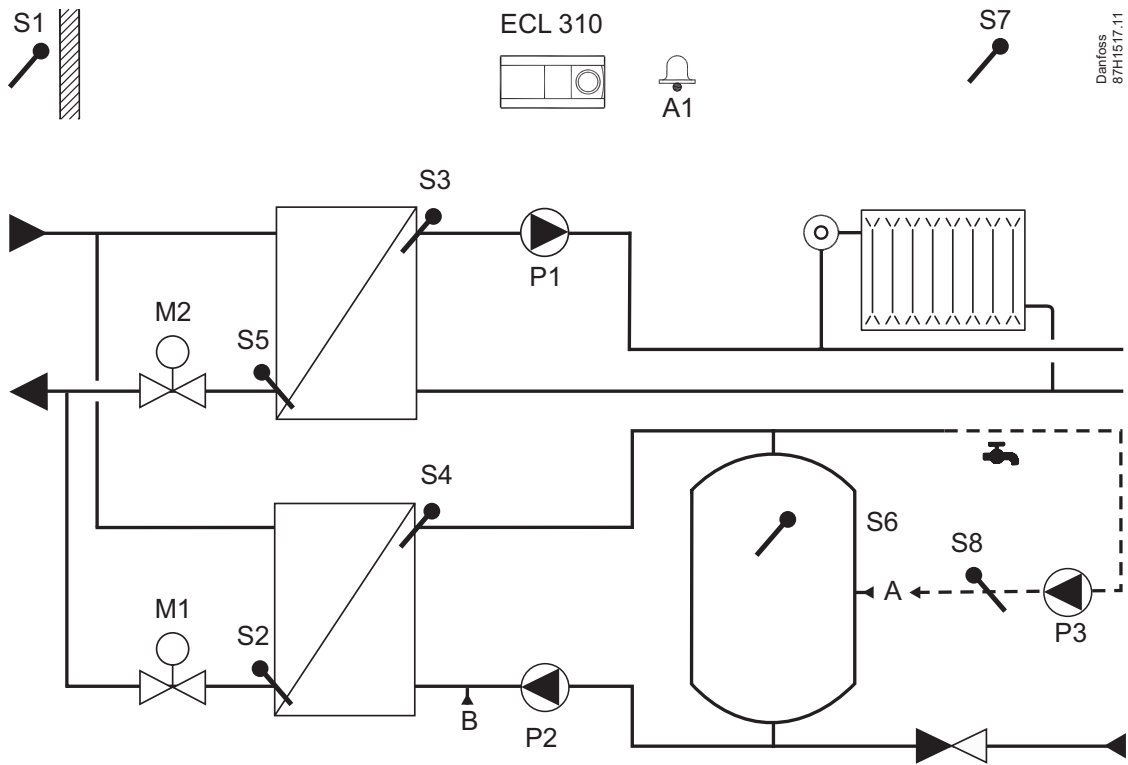
A347.2, ex. b:



A347.2, ex. c:



A347.3, ex. a



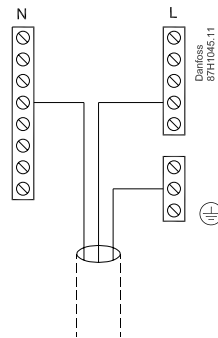
Danfoss
87H1517.11

Installation Guide, ECL Comfort 210 / 296 / 310, A247 / A347

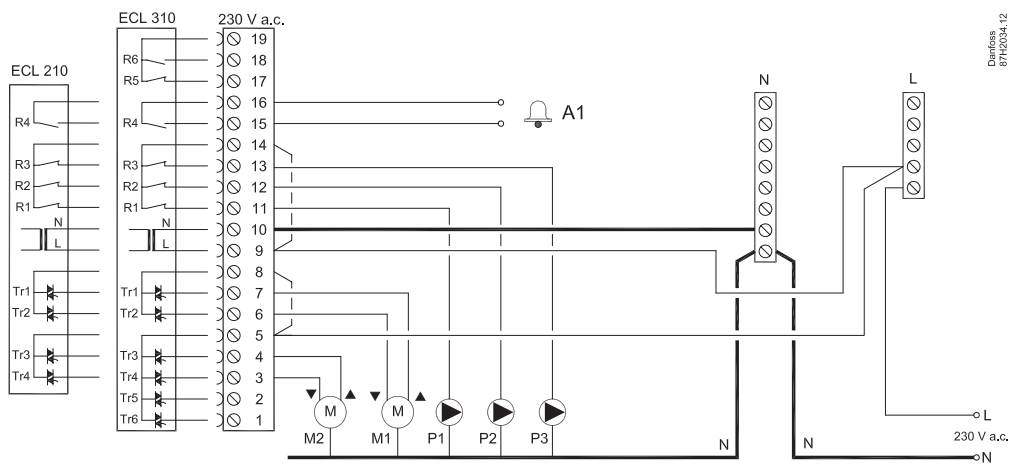
ECL Comfort 210 / 296 / 310:

230 V a.c.

R		4 (2) A / 230 V a.c.
R		
Tr		0,2 A / 230 V a.c.

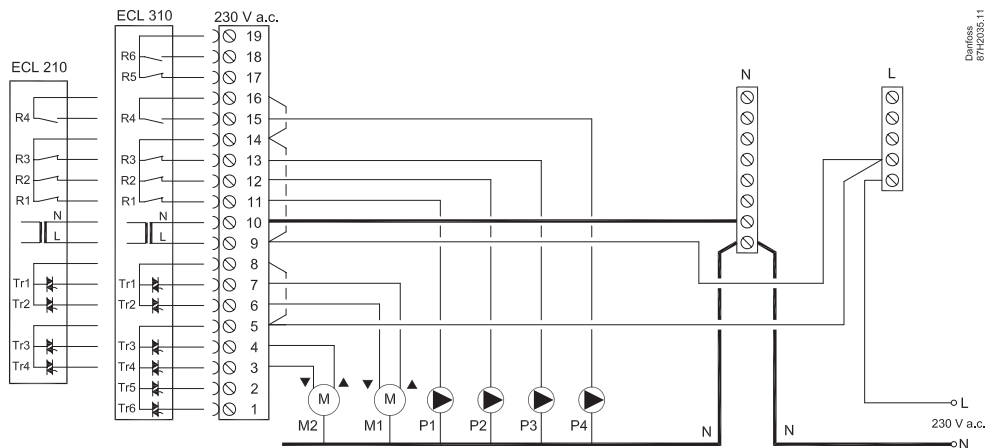


230 V a.c., A247.1



Danfoss
87H0034.12

230 V a.c., A247.2 / A247.3

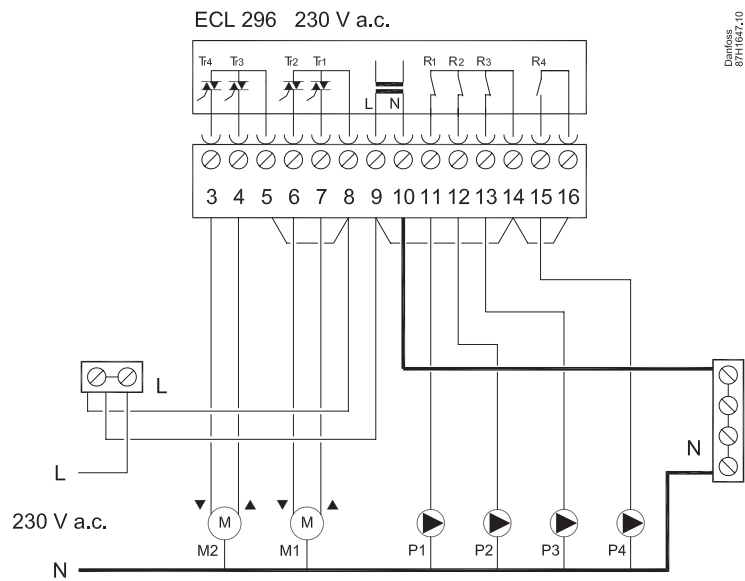


Danfoss
87H0035.11

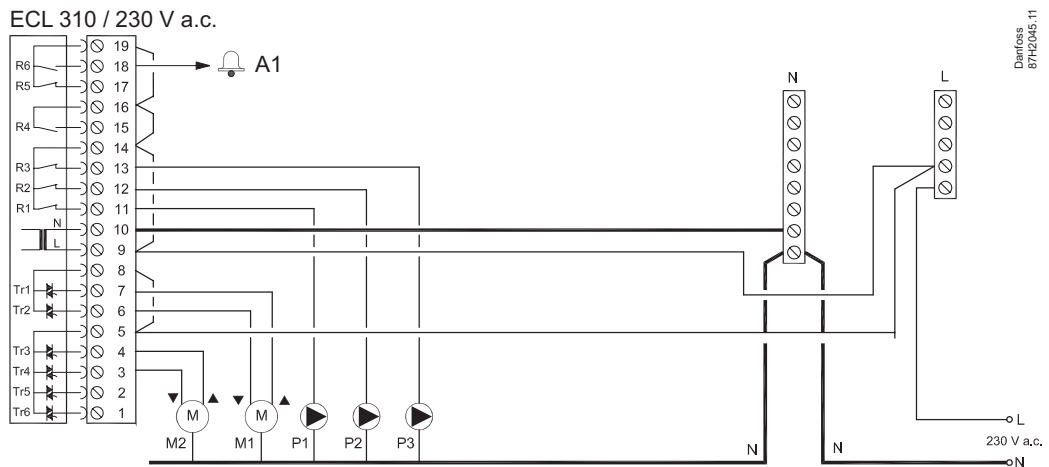
Installation Guide, ECL Comfort 210 / 296 / 310, A247 / A347

230 V a.c., A247.1, A247.2, A247.3

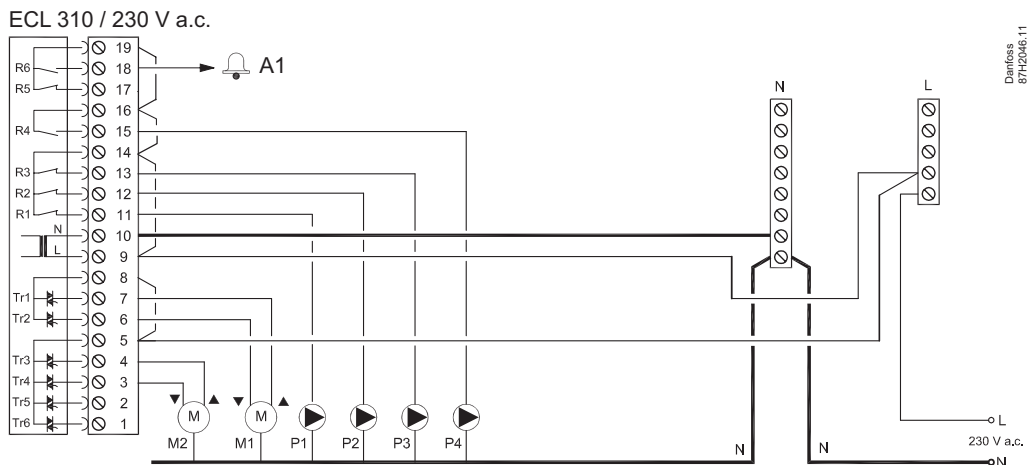
ECL 296



230 V a.c., A347.1



230 V a.c., A347.2 / A347.3



Installation Guide, ECL Comfort 210 / 296 / 310, A247 / A347

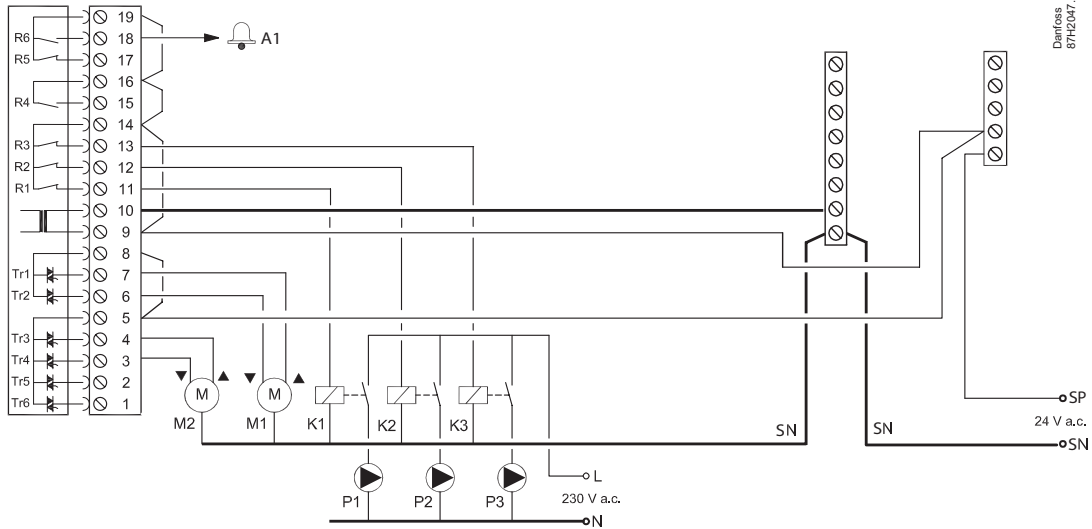
ECL Comfort 210 / 296 / 310:

24 V a.c.

R		4 (2) A / 24 V a.c.
Tr		1 A / 24 V a.c.

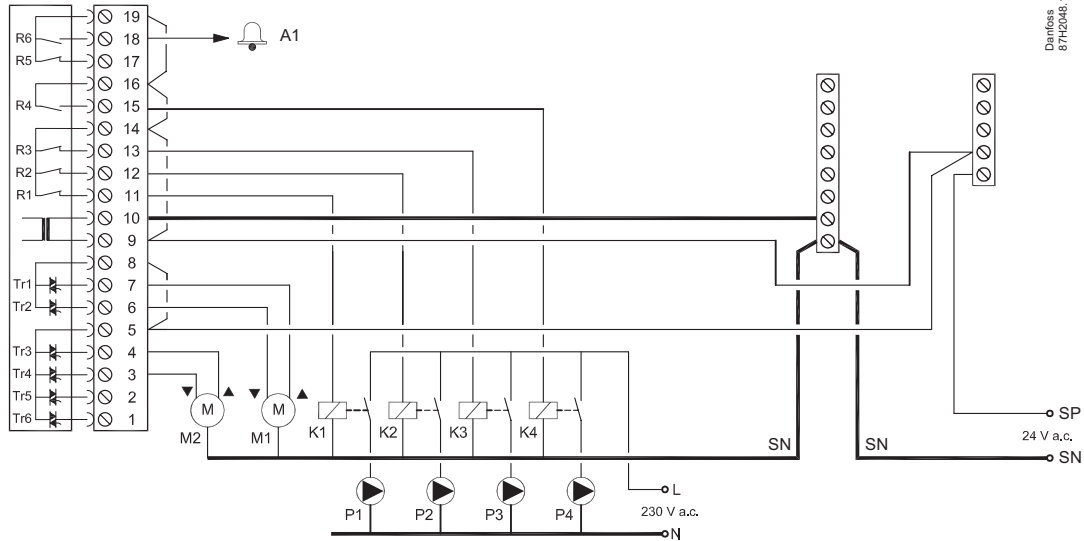
24 V a.c., A247.1 / A347.1

ECL 310 / 24 V a.c.



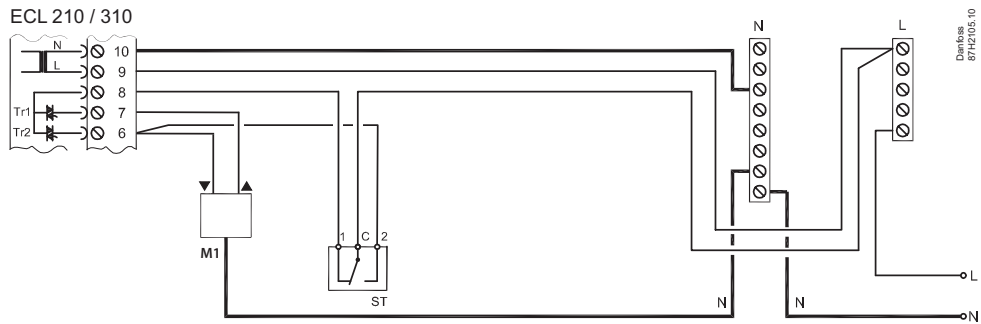
24 V a.c., A247.2 / A247.3 / A347.2 / A347.3

ECL 310 / 24 V a.c.



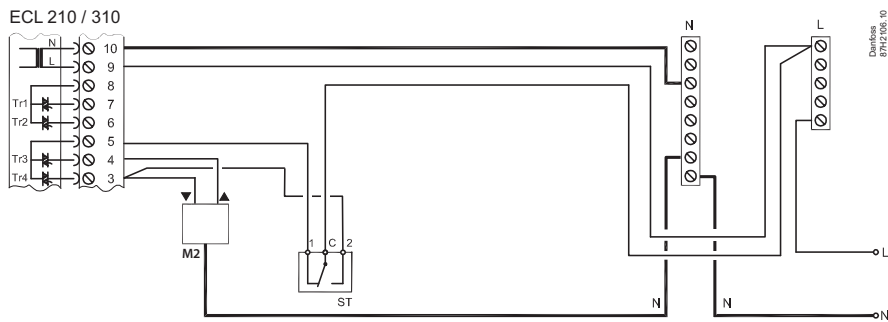
230 V a.c. / 24 V a.c. , safety thermostat

1-step closing



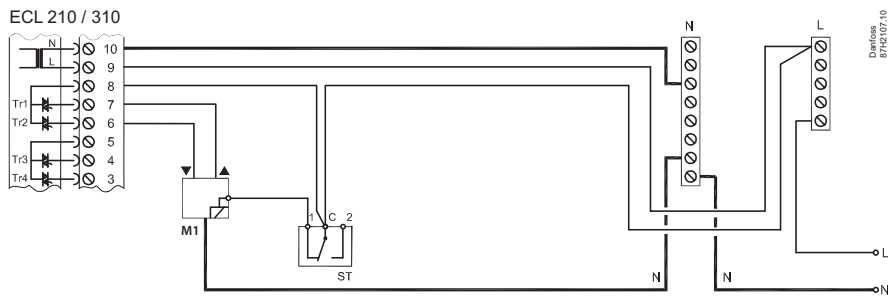
230 V a.c. / 24 V a.c. , safety thermostat

1-step closing



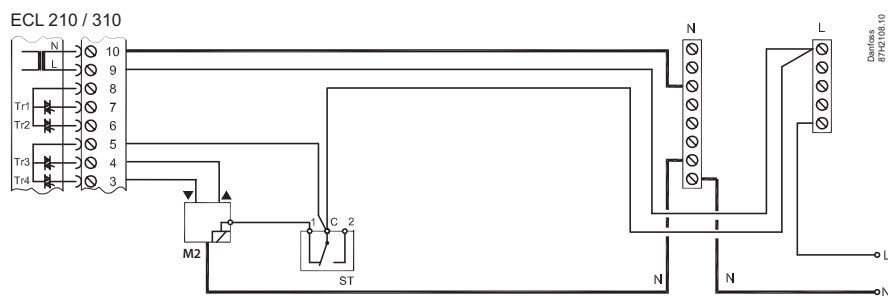
230 V a.c. / 24 V a.c. , safety thermostat

1-step closing



230 V a.c. / 24 V a.c. , safety thermostat

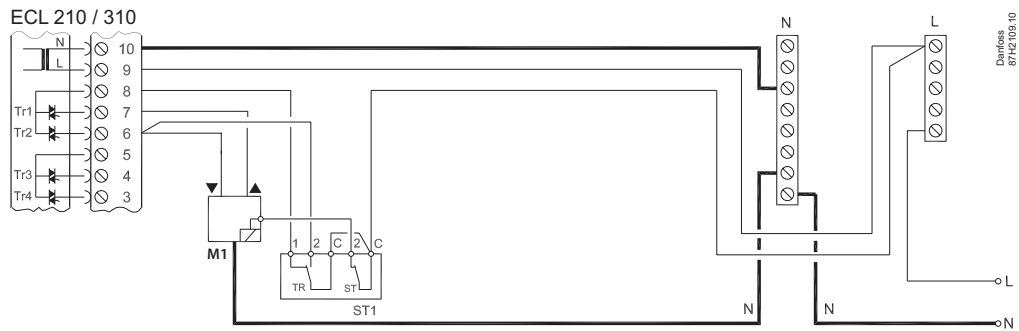
1-step closing



Installation Guide, ECL Comfort 210 / 296 / 310, A247 / A347

230 V a.c. / 24 V a.c., safety thermostat

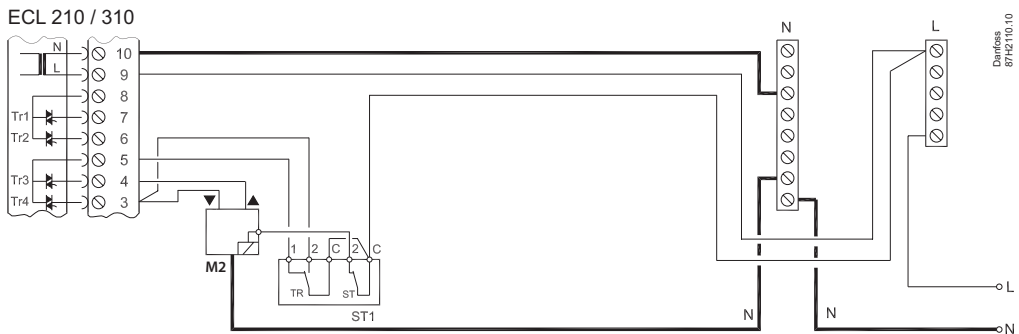
2 step closing



Danfoss
87H21031.10

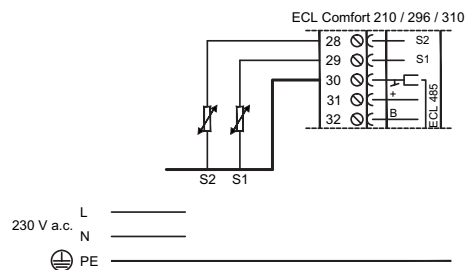
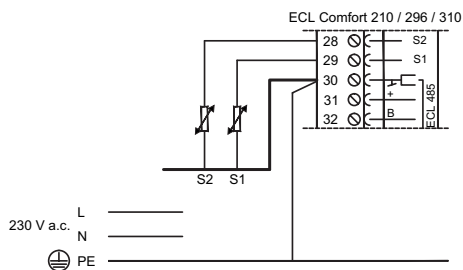
230 V a.c. / 24 V a.c., safety thermostat

2 step closing



Danfoss
87H2110.10

Pt 1000 (1000 Ω / 0 °C)

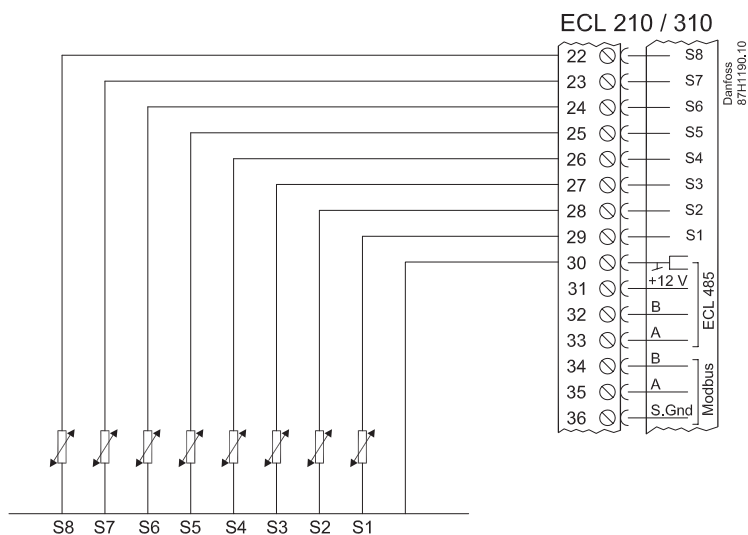


Danfoss
87H1487.11

Pt 1000 (1000 Ω / 0 °C)

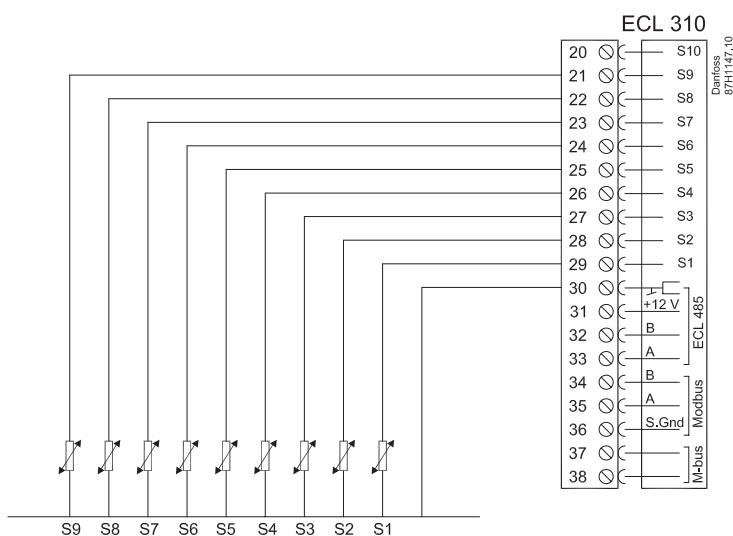
A247.1 / A247.2 / A247.3

	S1	S2	S3	S4	S5	S6	S7	S8
A247.1	✓	✓	✓	✓	✓	✓		✓
A247.2	✓	✓	✓	✓	✓	✓		✓
A247.3	✓	✓	✓	✓	✓	✓	✓	✓



A347.1 / A347.2 / A347.3

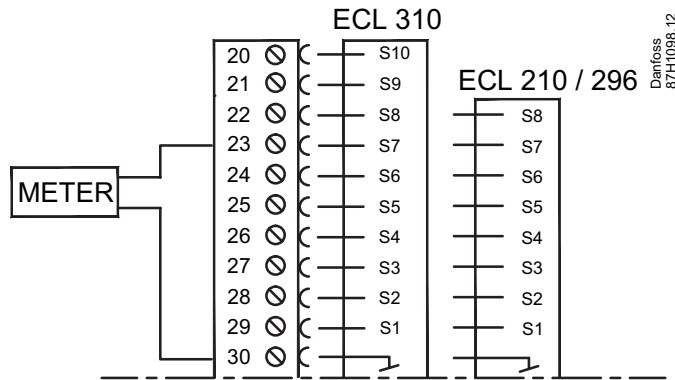
	S1	S2	S3	S4	S5	S6	S7	S8	S9	S10
A347.1	✓	✓	✓	✓	✓	✓	✓	✓		0 - 10 V
A347.2	✓	✓	✓	✓	✓	✓	✓	✓	✓	0 - 10 V
A347.3	✓	✓	✓	✓	✓	✓	✓	✓		0 - 10 V



A247.1 / A247.2



S7



A247.1 / A247.2

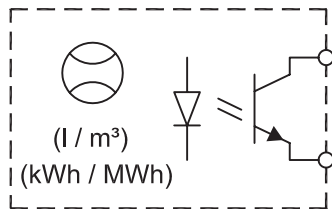


S7



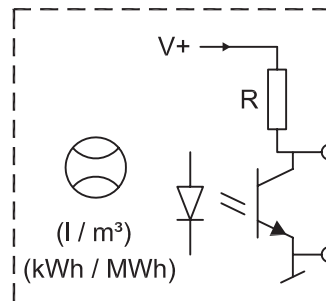
A / B ?

A:



Danfoss
87H1457.10

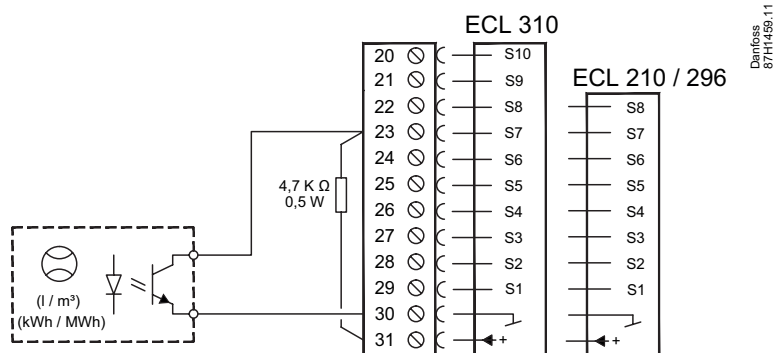
B:



Danfoss
87H1458.10

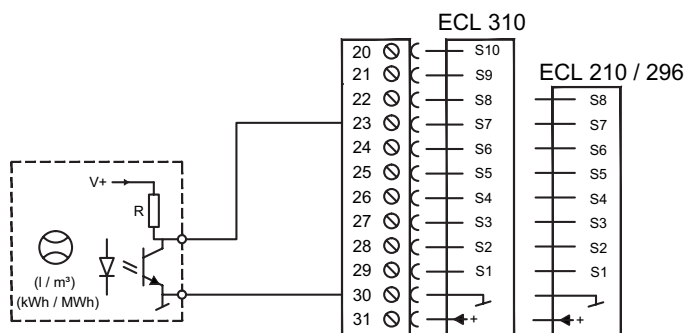


A:



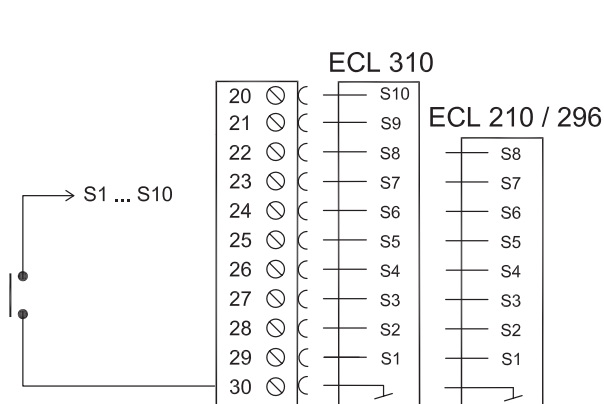
Danfoss
87H1438.11

B:



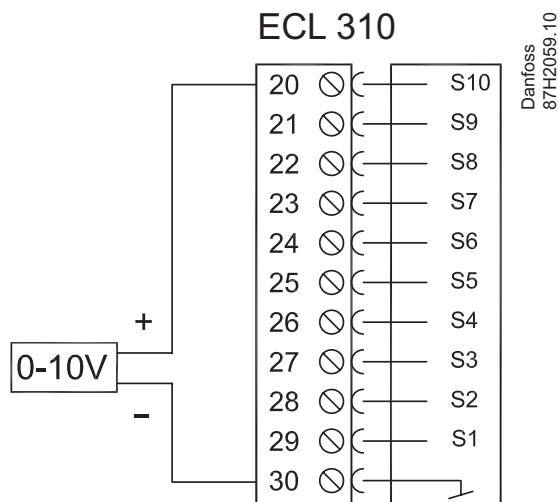
Danfoss
87H1460.11

A247 / A347

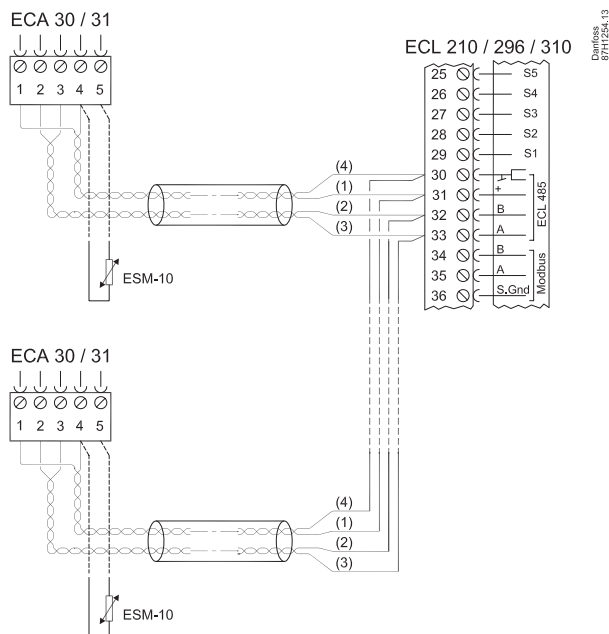
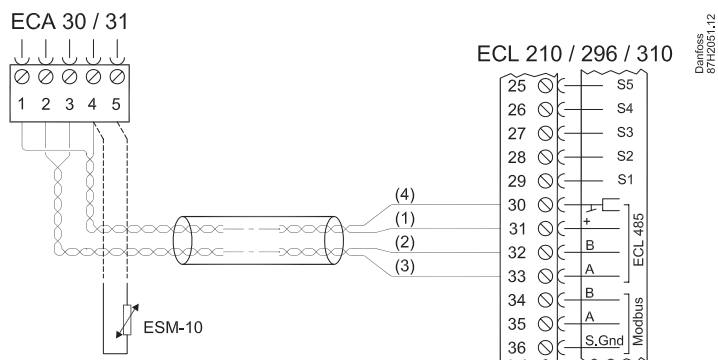


Danfoss
87H1478.11

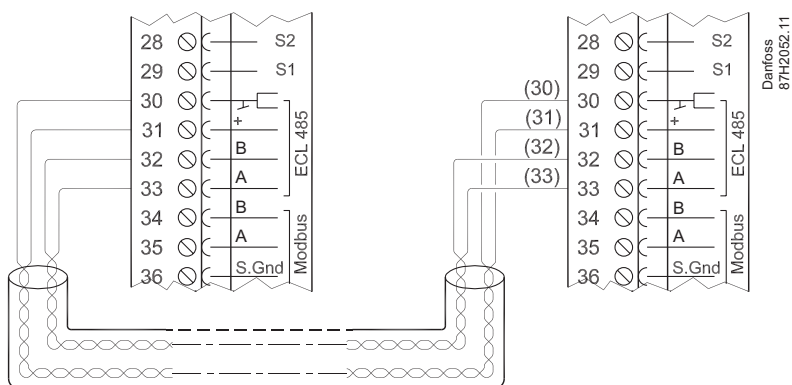
A347.1 / A347.2 / A347.3



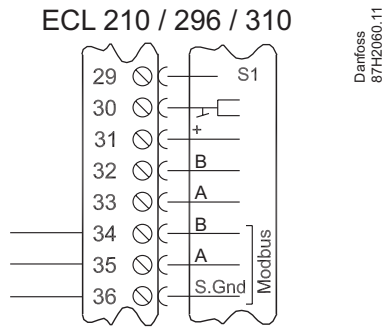
ECA 30 / 31



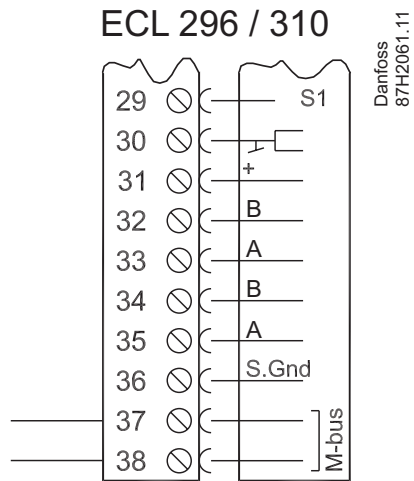
Master / slave



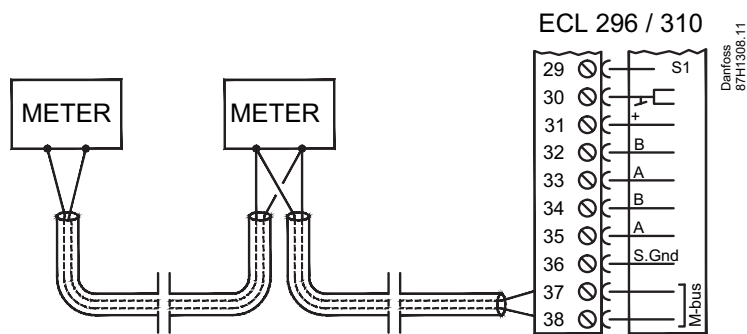
Modbus



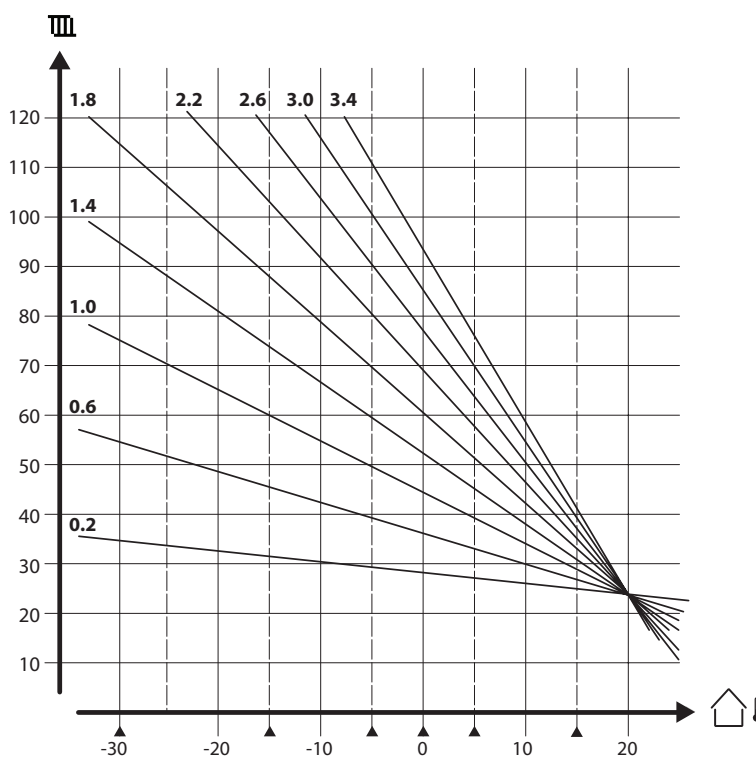
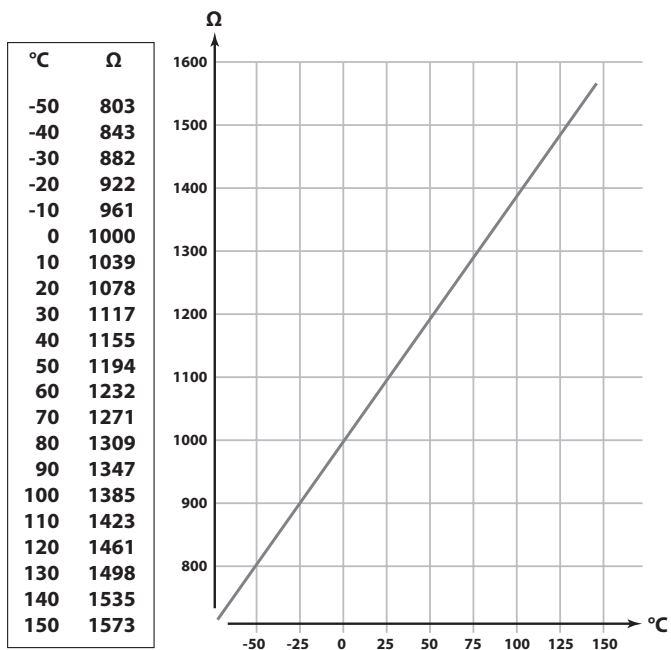
M-bus



M-bus

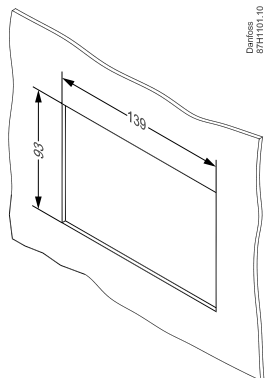


Pt 1000 (IEC 751B, 1000 Ω / 0 °C)

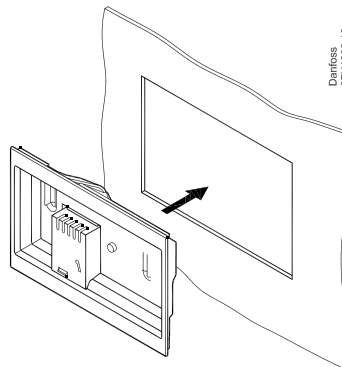


ECA 30

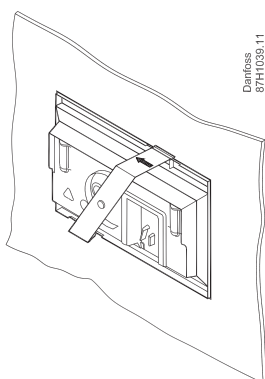
1



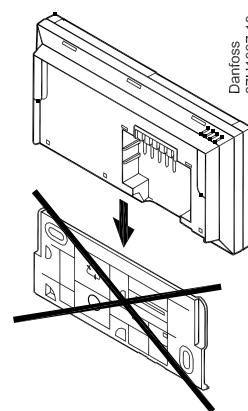
2



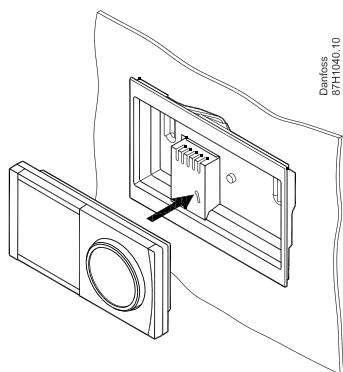
3



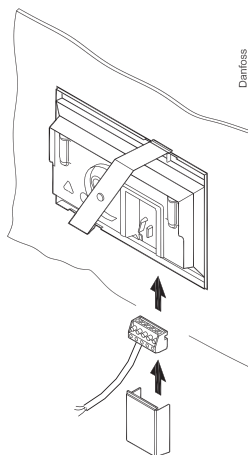
4



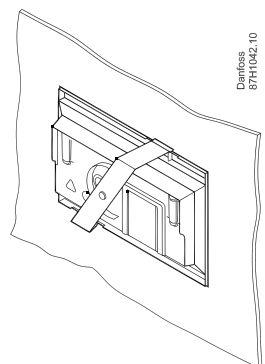
5



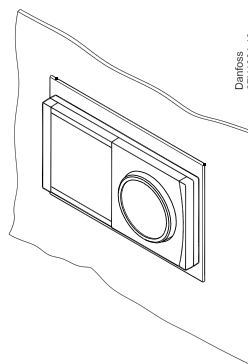
6



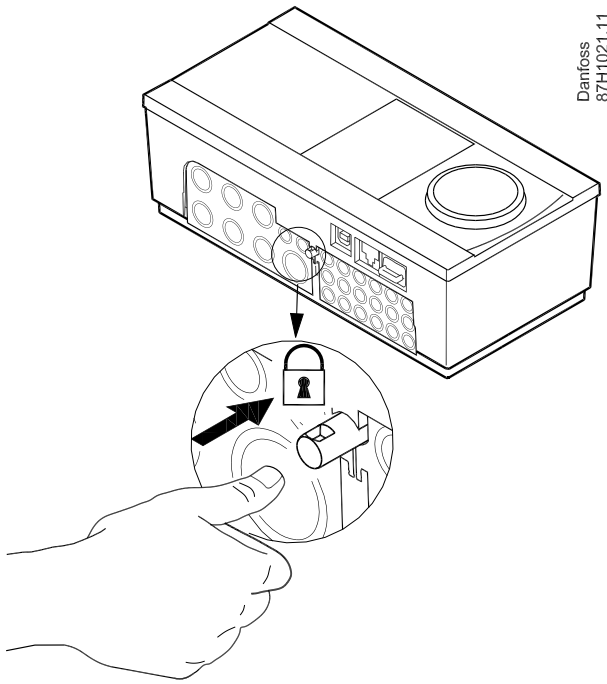
7



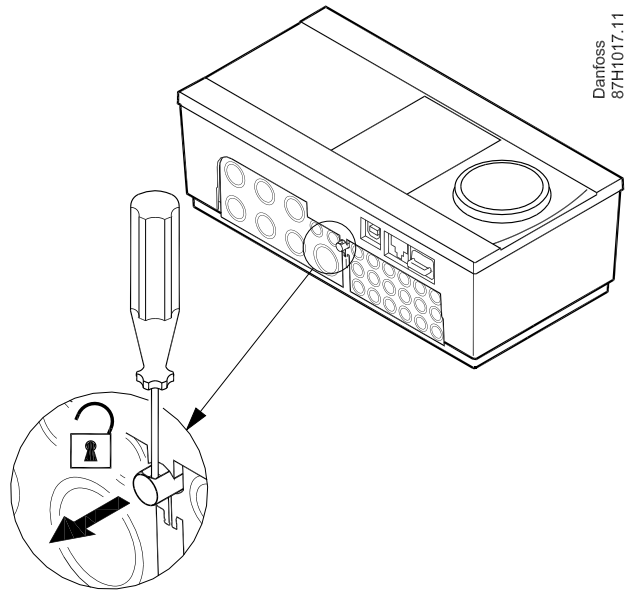
8



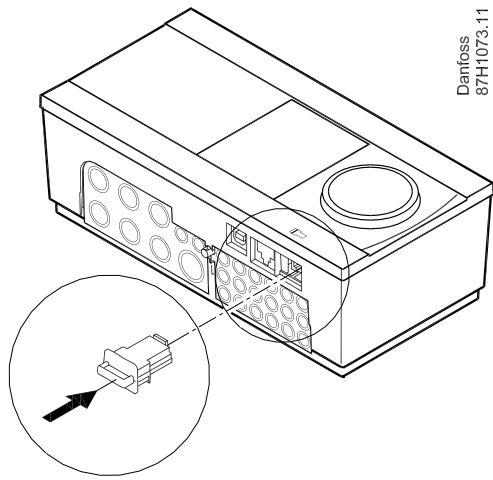
Installation Guide, ECL Comfort 210 / 296 / 310, A247 / A347



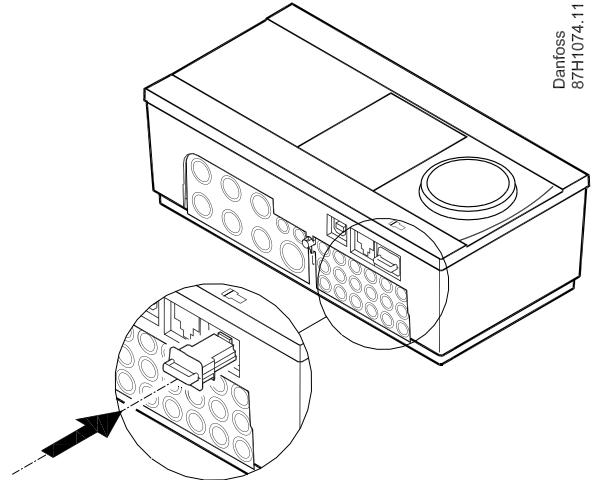
Danfoss
87H1021.11



Danfoss
87H1017.11



Danfoss
87H1073.11



Danfoss
87H1074.11

? **ECL Comfort 210 / 296 / 310, A247 / A347: www.heating.danfoss.com**

? **<https://www.youtube.com/user/DanfossHeating>
-> Playlists -> How-to Videos -> District Energy installation videos**

