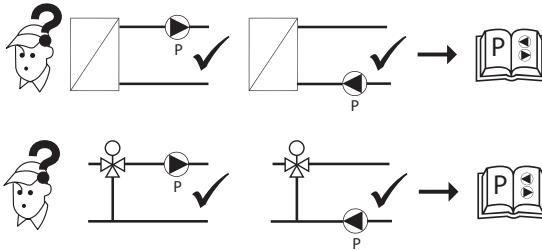
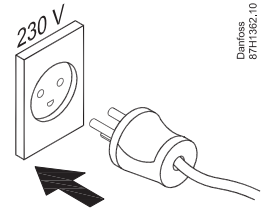
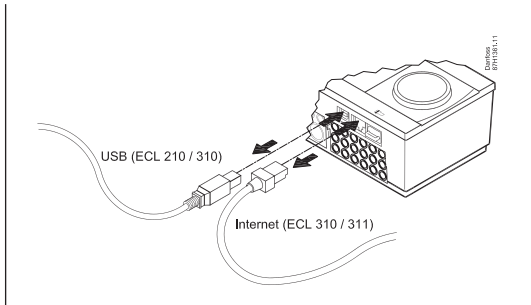
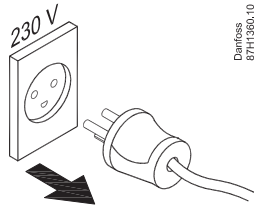
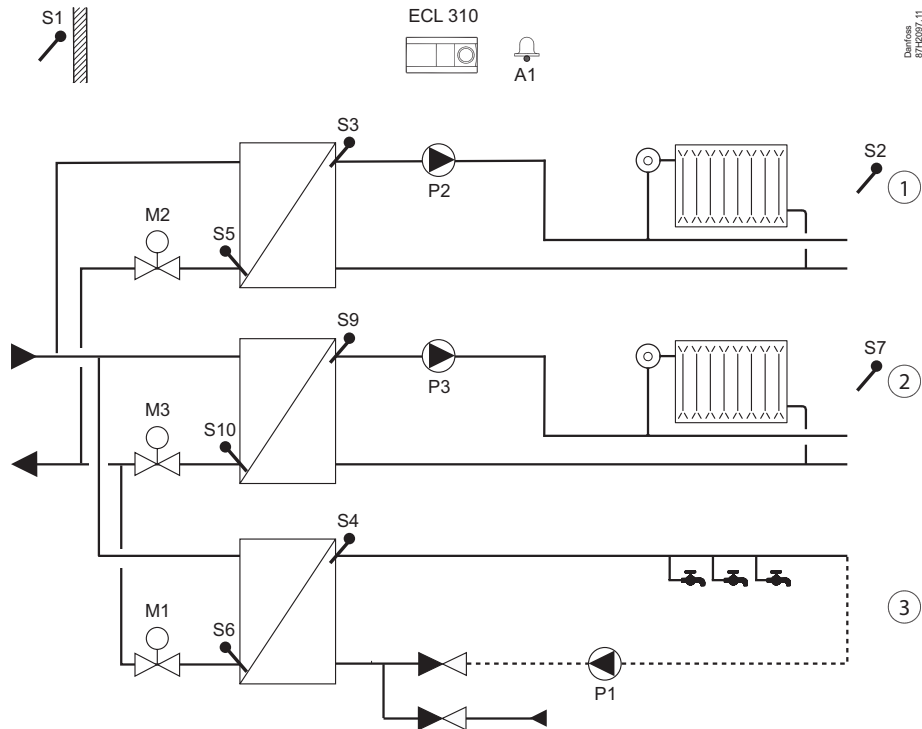


Installation Guide

ECL Comfort 310, A376 (code no. 087H3810)



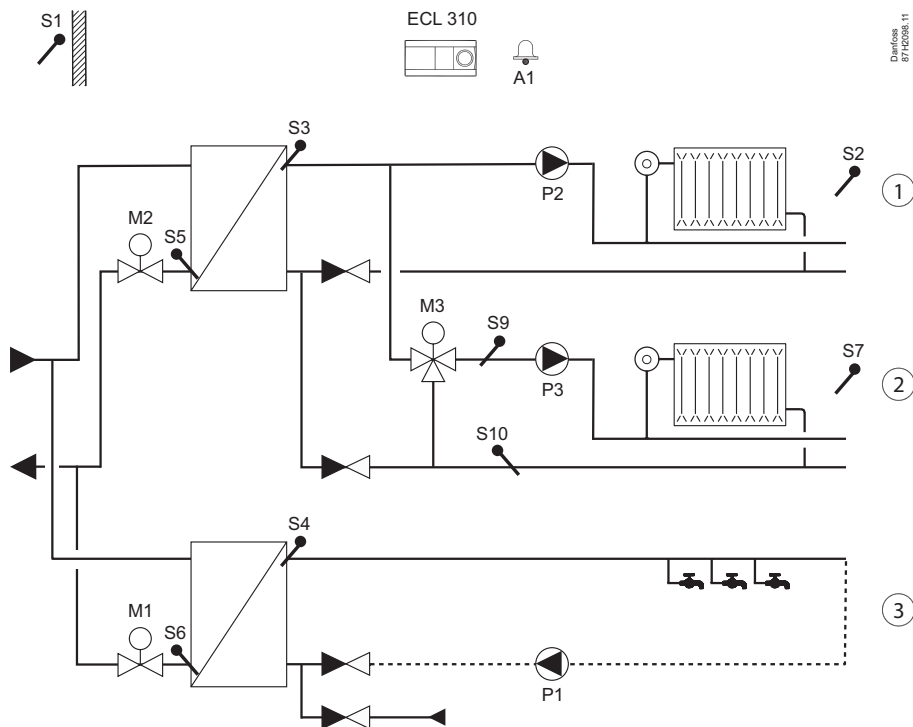
A376.1, ex. a:



ECL 310 + ECA 32: M1, M2, M3 = 0 - 10 V

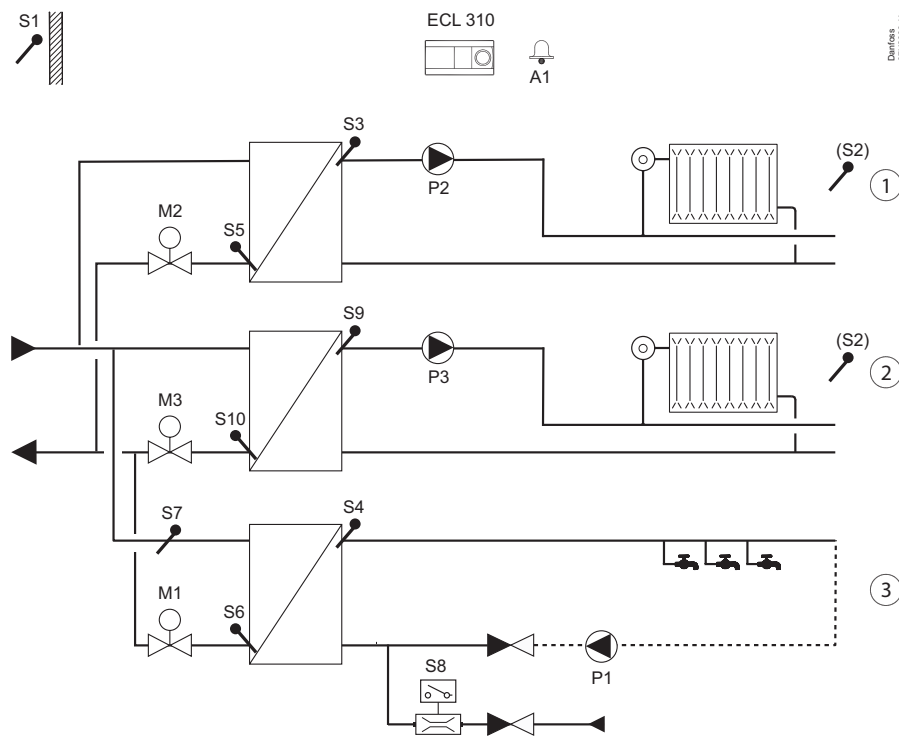
Installation Guide, ECL Comfort 310, A376

A376.1, ex. b:



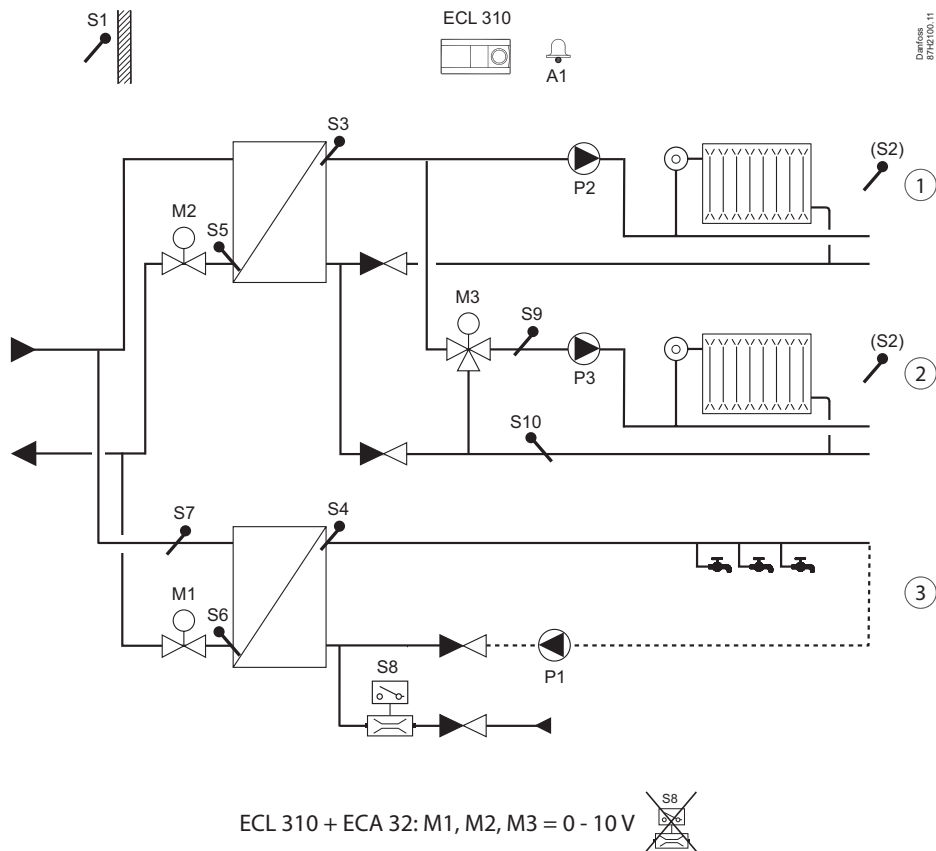
ECL 310 + ECA 32: M1, M2, M3 = 0 - 10 V

A376.2, ex. a:

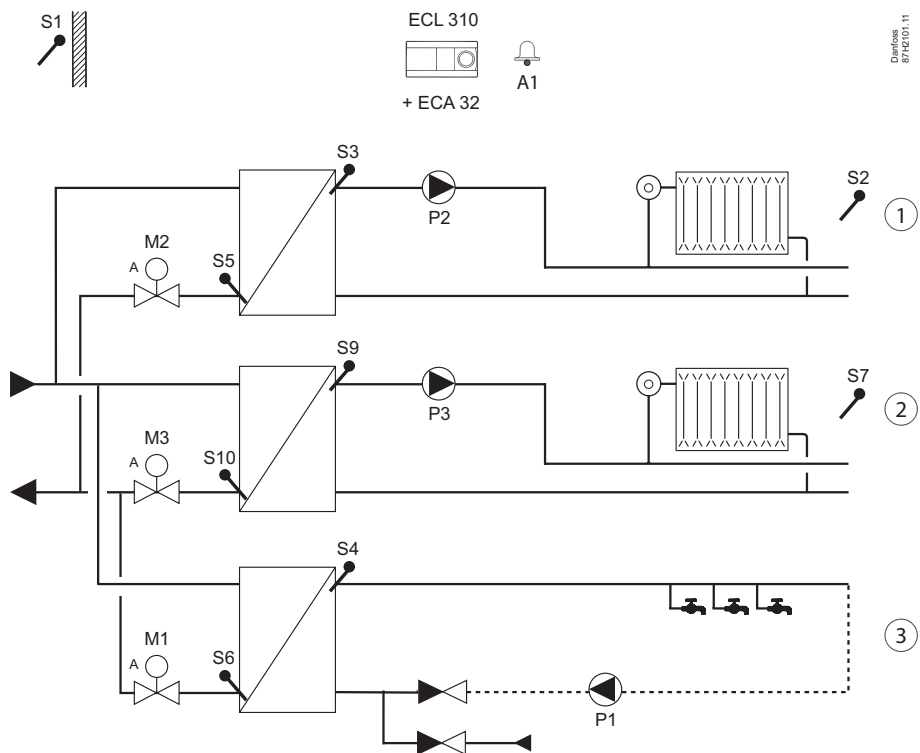


ECL 310 + ECA 32: M1, M2, M3 = 0 - 10 V

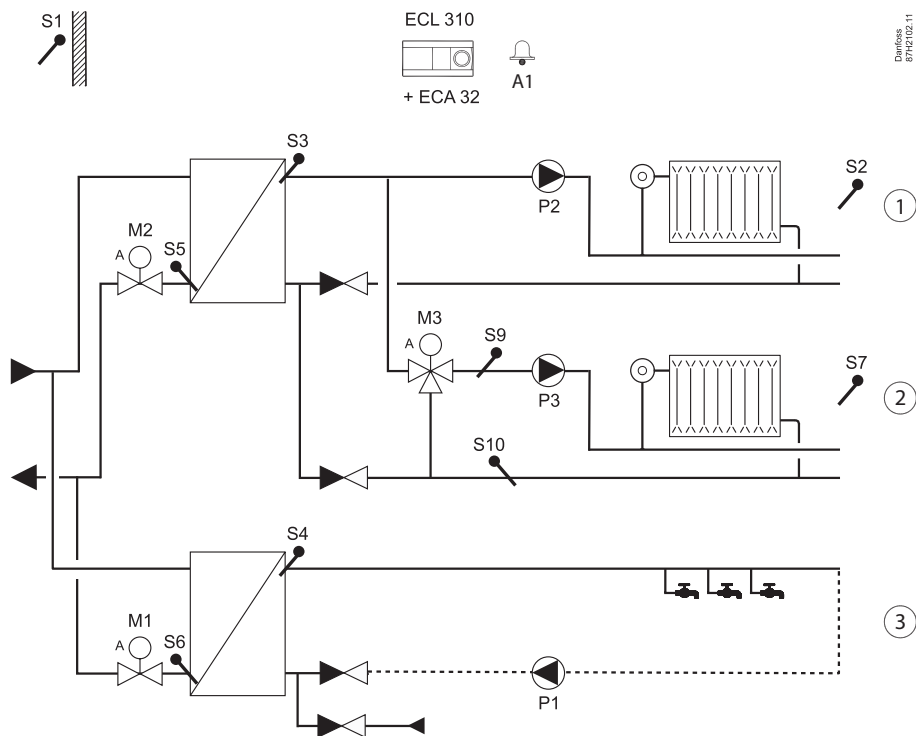
A376.2, ex. b:



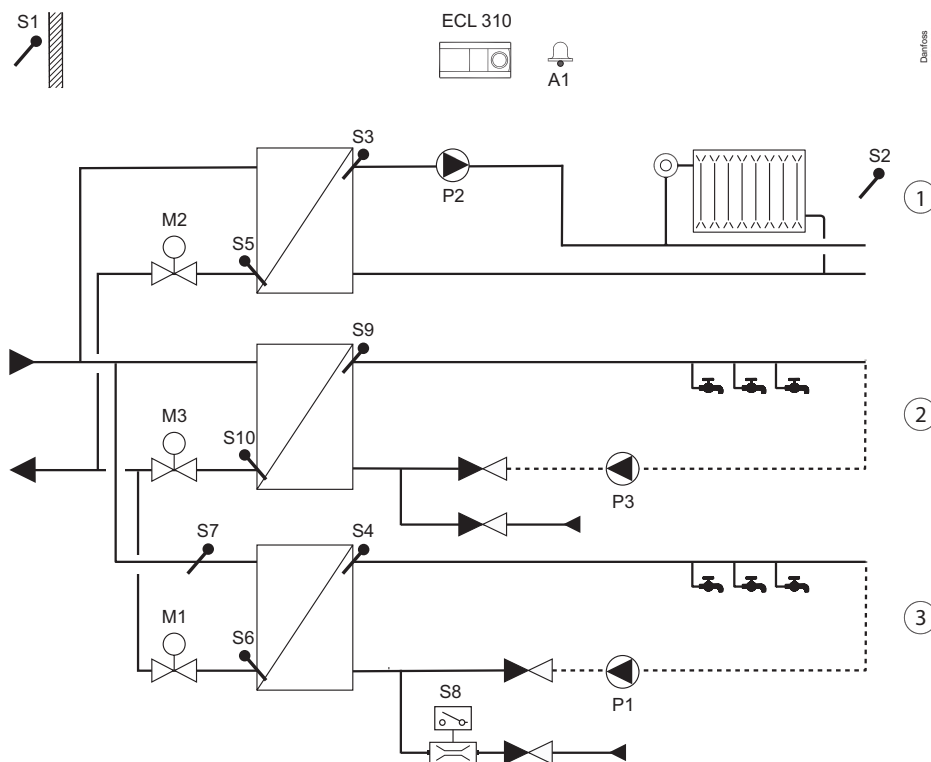
A376.3, ex. a:



A376.3, ex. b:



A376.4, ex. a:

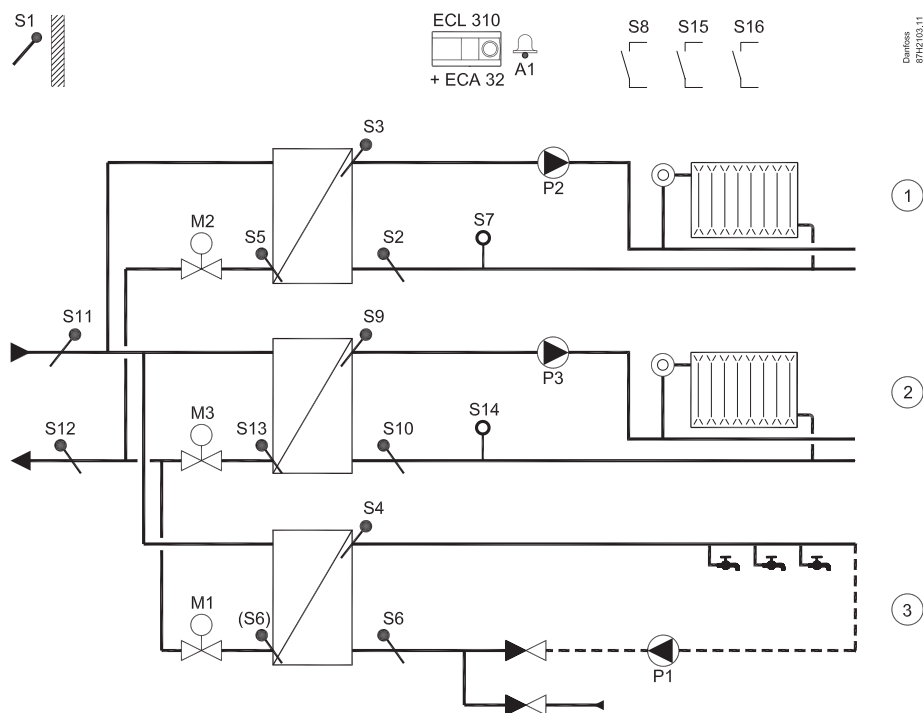


ECL 310 + ECA 32: M1, M2, M3 = 0 - 10 V



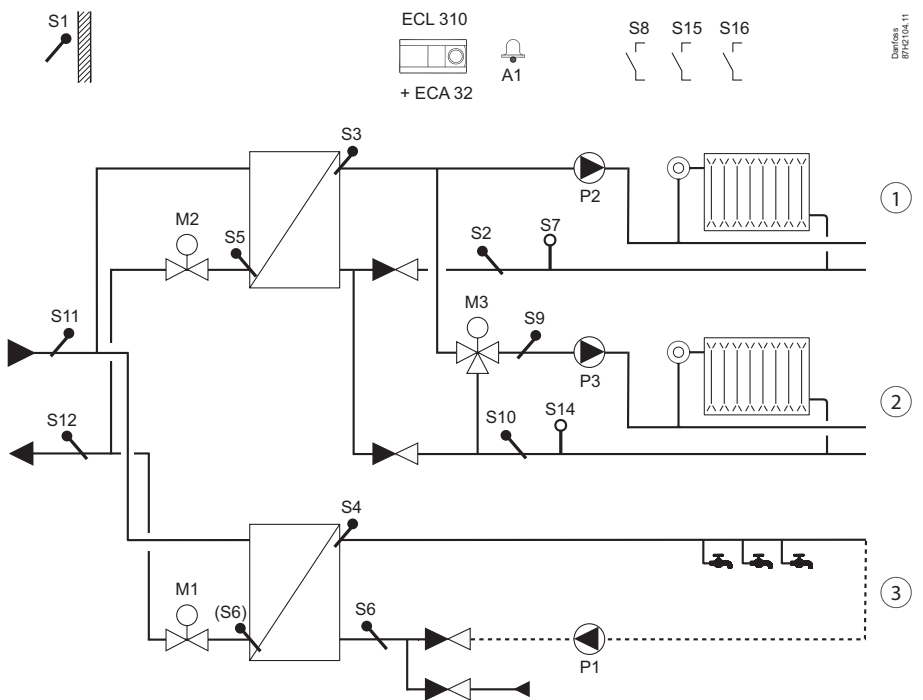
Installation Guide, ECL Comfort 310, A376

A376.9, ex. a:



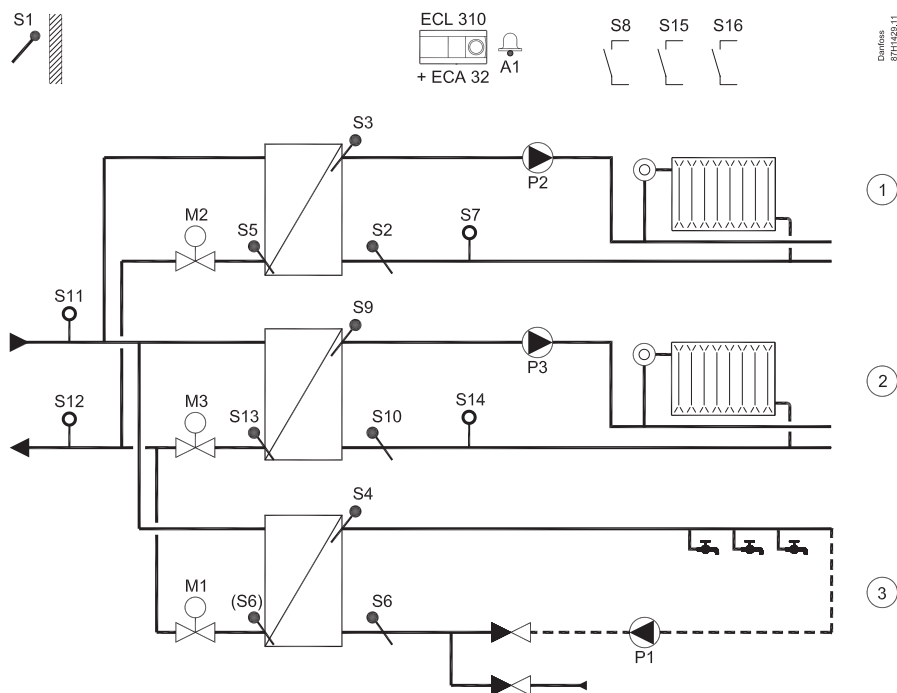
ECL 310 + ECA 32: M1, M2, M3 = 0 - 10 V

A376.9, ex. b:

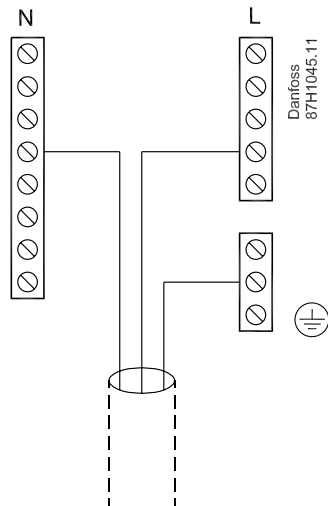


ECL 310 + ECA 32: M1, M2, M3 = 0 - 10 V

A376.10, ex. a:



ECL 310 + ECA 32: M1, M2, M3 = 0 - 10 V

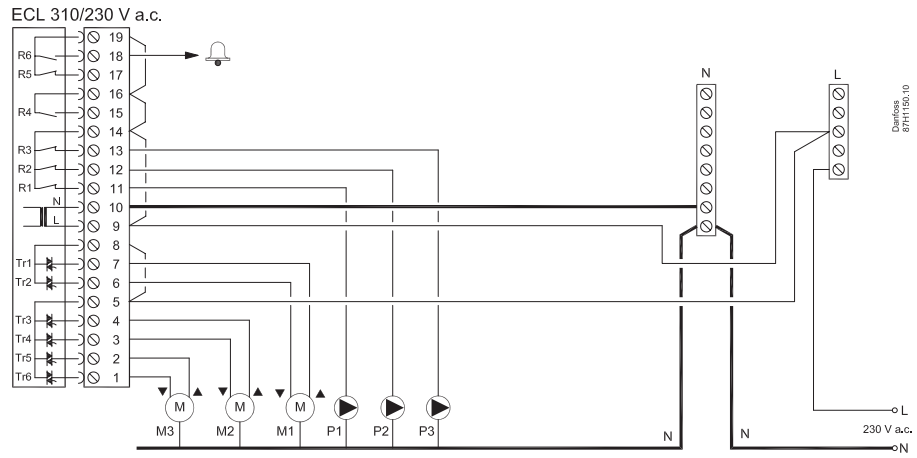


ECL Comfort 310:
230 V a.c.

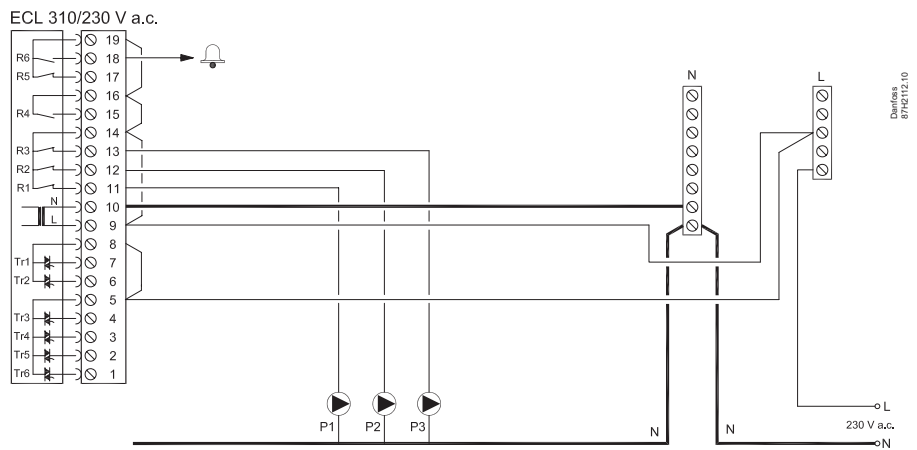
R	4 (2) A / 230 V a.c.
R	
Tr	0,2 A / 230 V a.c.

Installation Guide, ECL Comfort 310, A376

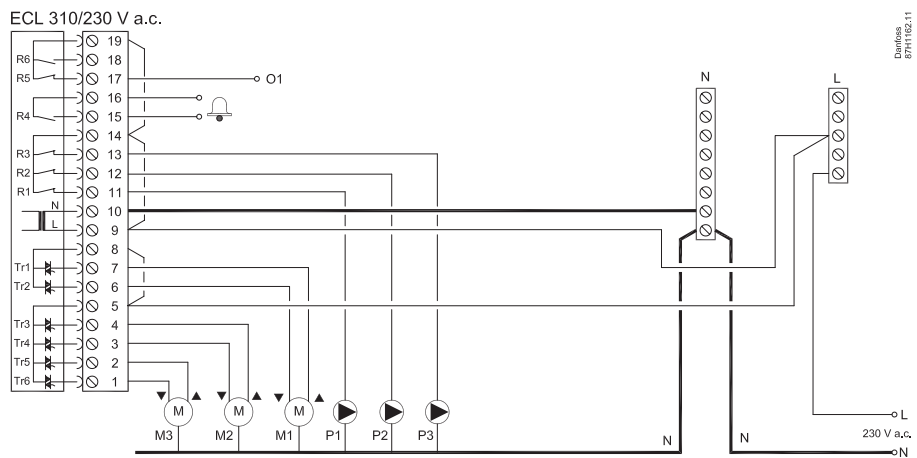
230 V a.c. - A376.1, A376.2, A376.4



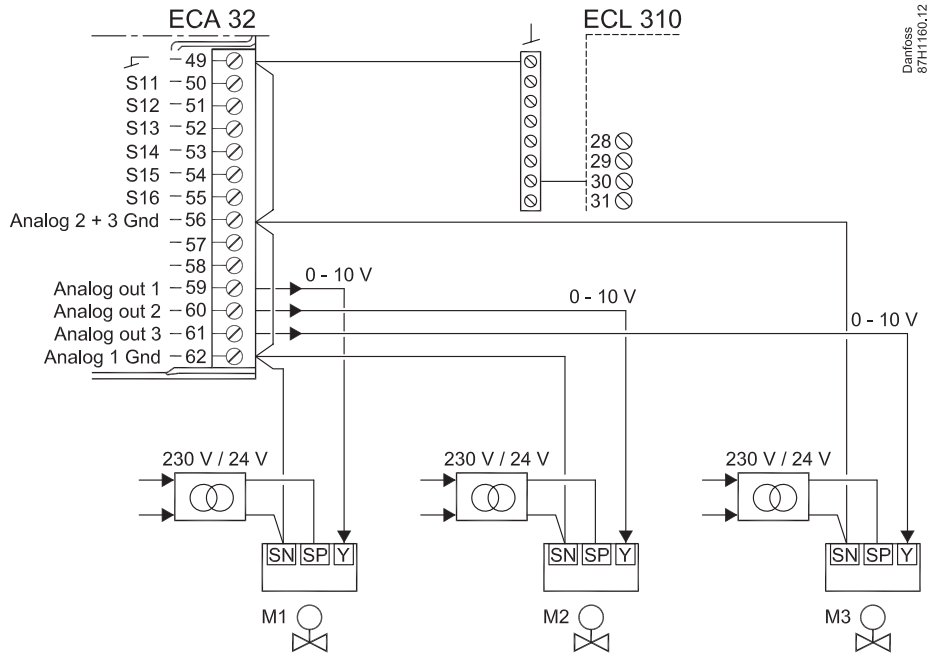
230 V a.c. - A376.3



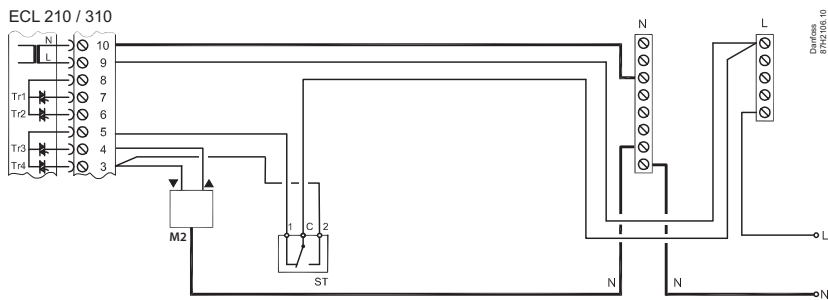
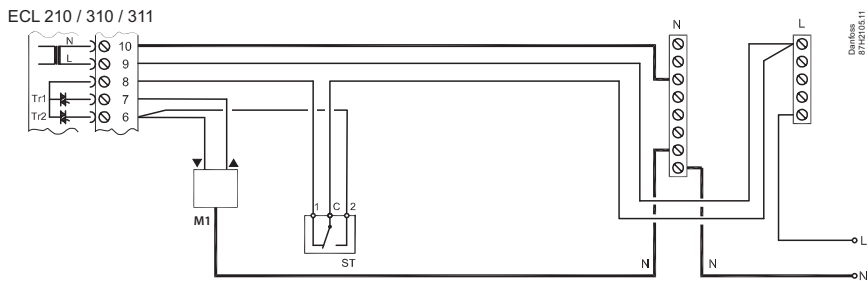
230 V a.c. - A376.9, A376.10



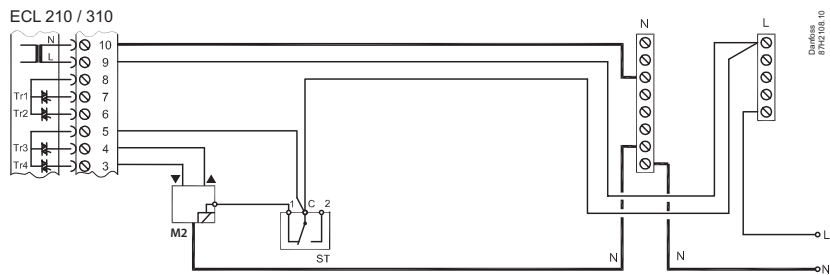
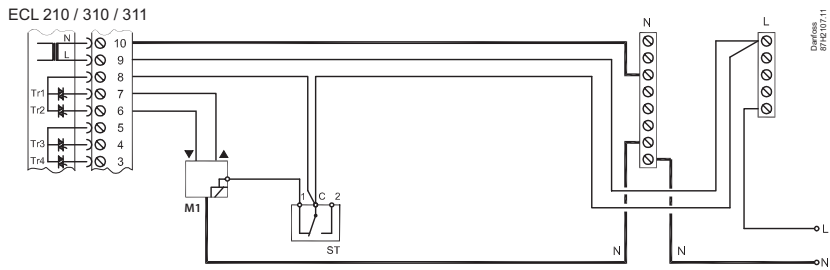
A376.3 - ECA 32



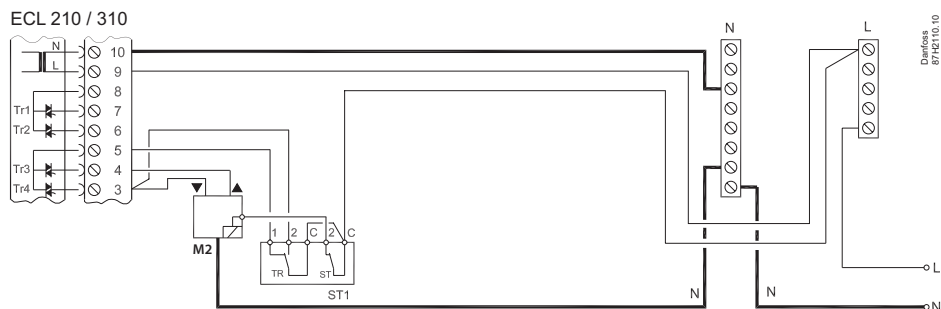
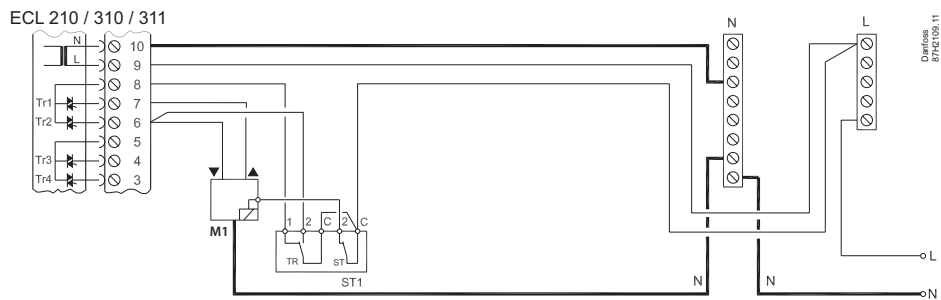
230 V a.c. / 24 V a.c. safety thermostat
1-step closing



230 V a.c. / 24 V a.c. safety thermostat
1-step closing



230 V a.c. / 24 V a.c. safety thermostat
2-step closing

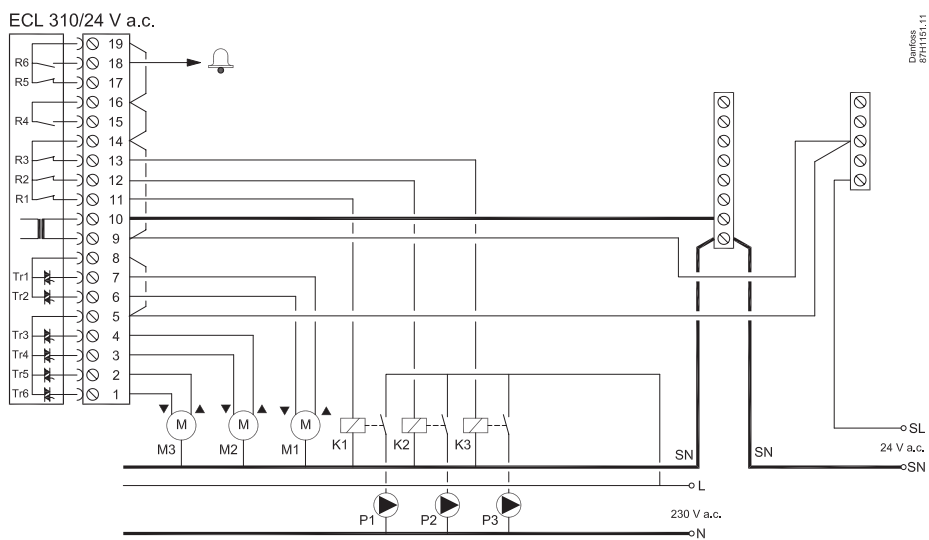


Installation Guide, ECL Comfort 310, A376

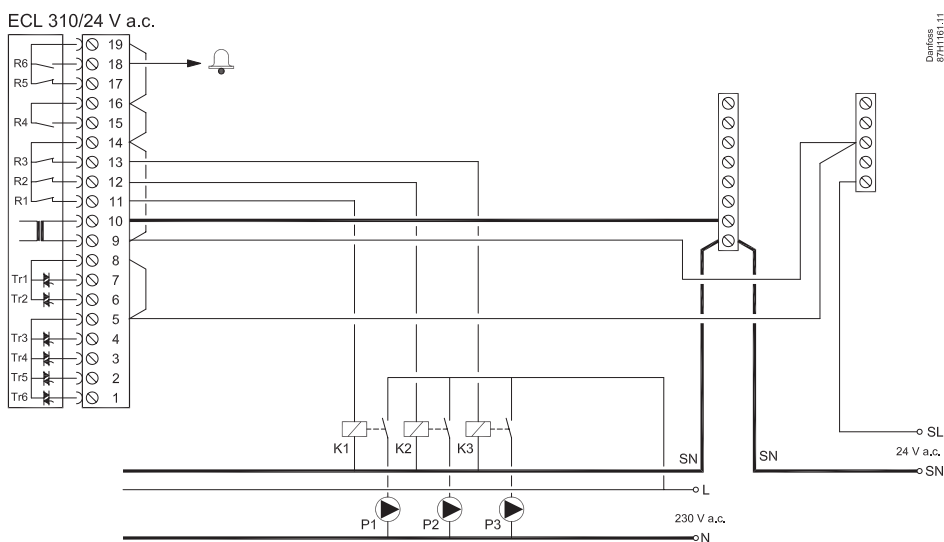
ECL Comfort 310: 24 V a.c.

R		4 (2) A / 24 V a.c.
R		
Tr		1 A / 24 V a.c.

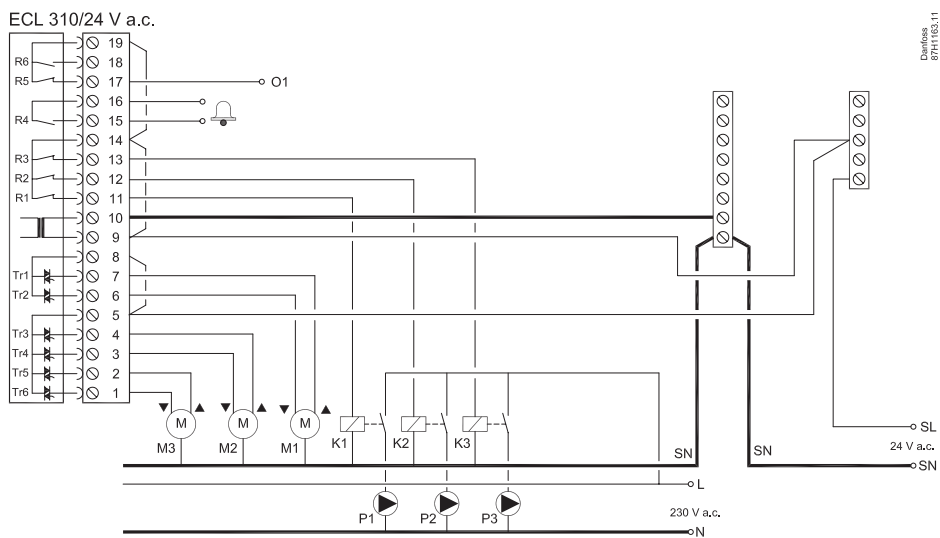
24 V a.c. - A376.1, A376.2, A376.4



24 V a.c. - A376.3



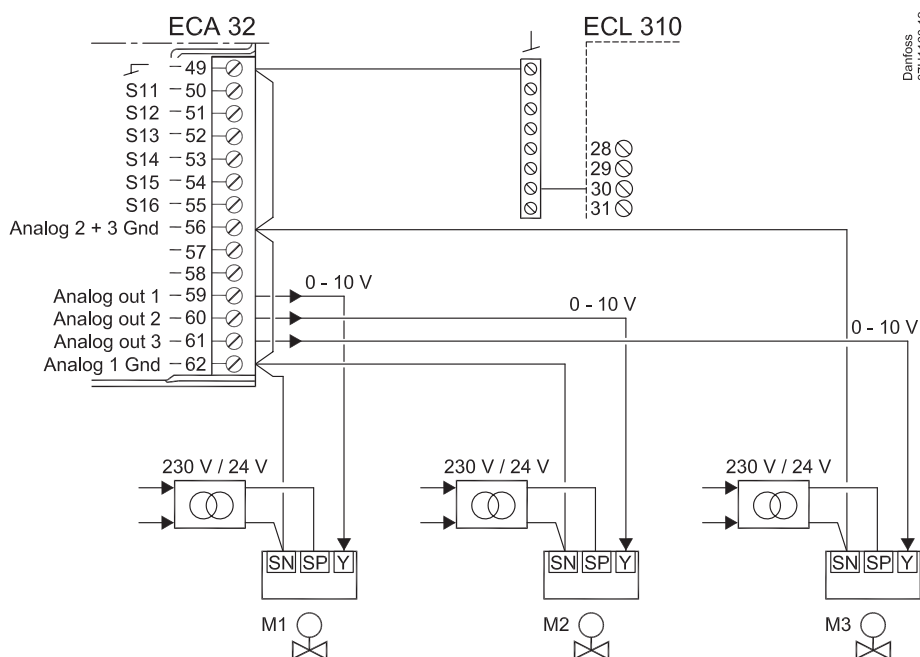
24 V a.c. - A376.9, A376.10



Danfoss
87H1163.11

A376, ECA 32

	0-10 V:		
	M1	M2	M3
A376.1	✓	✓	✓
A376.2	✓	✓	✓
A376.3	✓	✓	✓
A376.4	✓	✓	✓
A376.9	✓	✓	✓
A376.10	✓	✓	✓

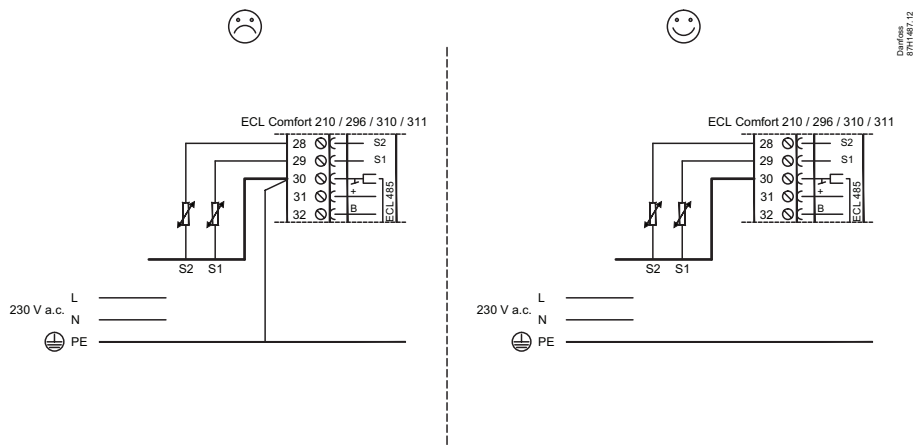


Danfoss
87H1160.12

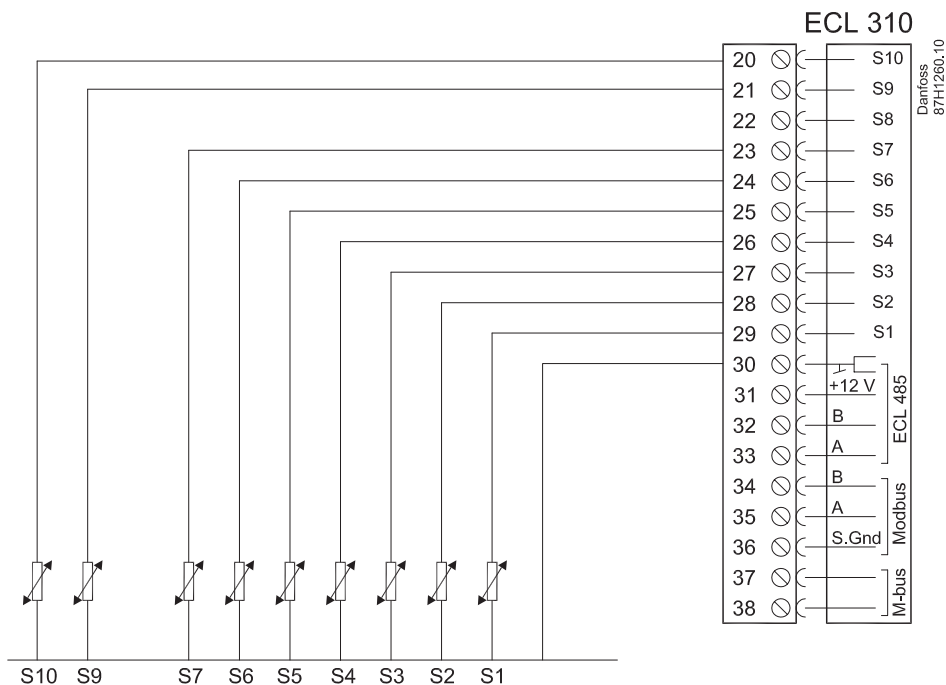
Installation Guide, ECL Comfort 310, A376

ECL 310

Pt 1000 (1000 Ω / 0 °C)



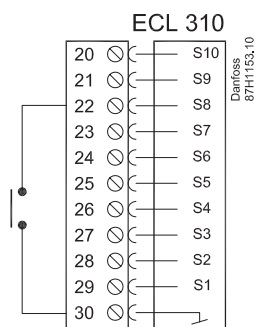
	S1	S2	S3	S4	S5	S6	S7	S8	S9	S10
A376.1	✓	✓	✓	✓	✓	✓	✓		✓	✓
A376.2	✓	✓	✓	✓	✓	✓	✓		✓	✓
A376.3	✓	✓	✓	✓	✓	✓	✓		✓	✓
A376.4	✓	✓	✓	✓	✓	✓	✓		✓	✓
A376.9	✓	✓	✓	✓	✓	✓			✓	✓
A376.10	✓	✓	✓	✓	✓	✓			✓	✓



ECL 310



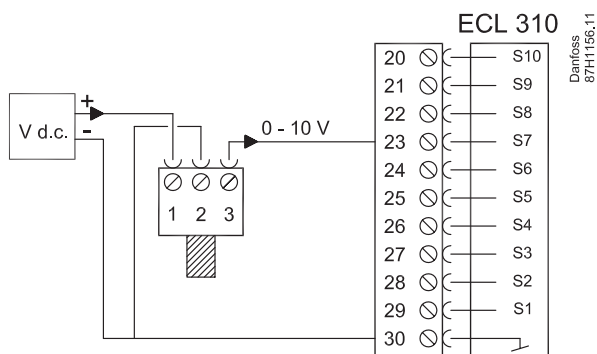
	S8
A376.1	
A376.2	✓
A376.3	
A376.4	✓
A376.9	✓
A376.10	✓



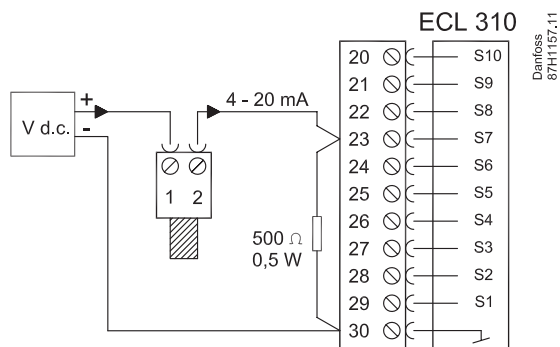
ECL 310



	S7
A376.1	
A376.2	
A376.3	
A376.4	
A376.9	✓
A376.10	✓



V d.c. = 12 - 24 V d.c.

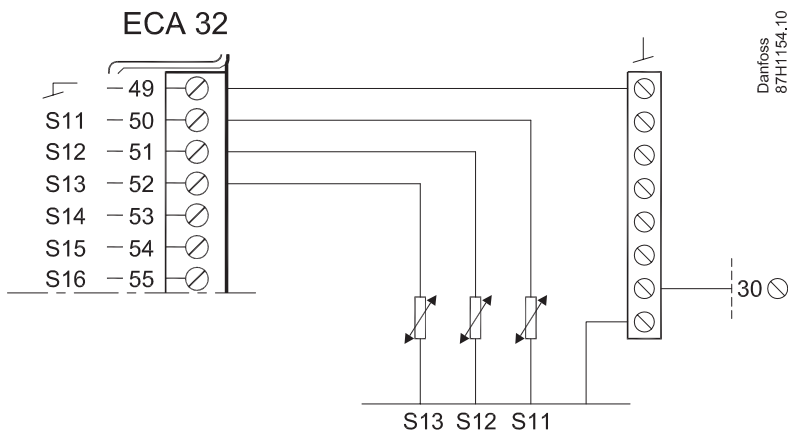


V d.c. = 12 - 24 V d.c.

ECA 32

Pt 1000 (1000 Ω / 0 °C)

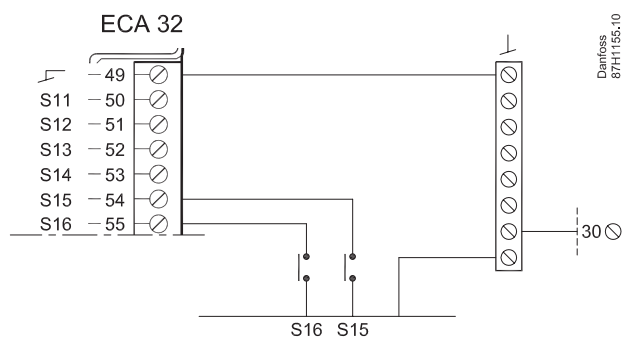
	S11	S12	S13
A376.1			
A376.2			
A376.3			
A376.4			
A376.9	✓	✓	✓
A376.10			✓



ECA32



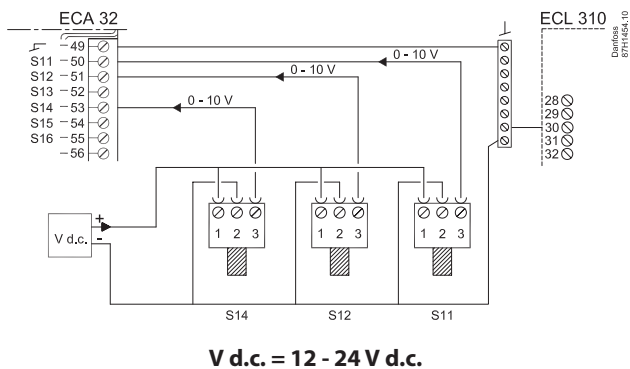
	S15	S16
A376.1		
A376.2		
A376.3		
A376.4		
A376.9	✓	✓
A376.10	✓	✓



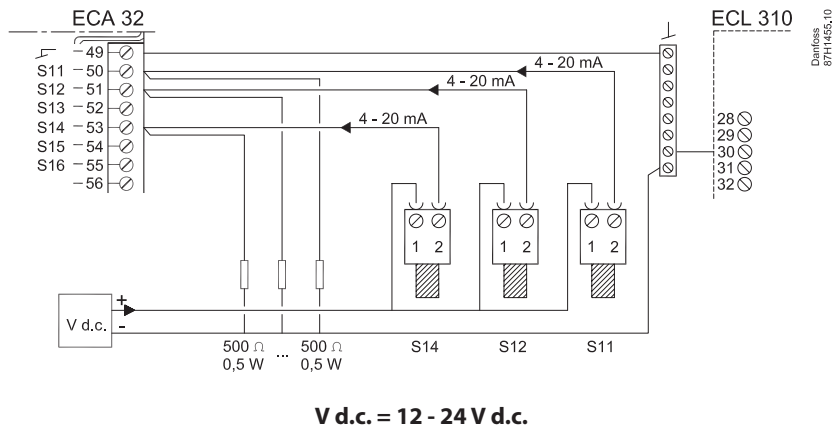
ECA32



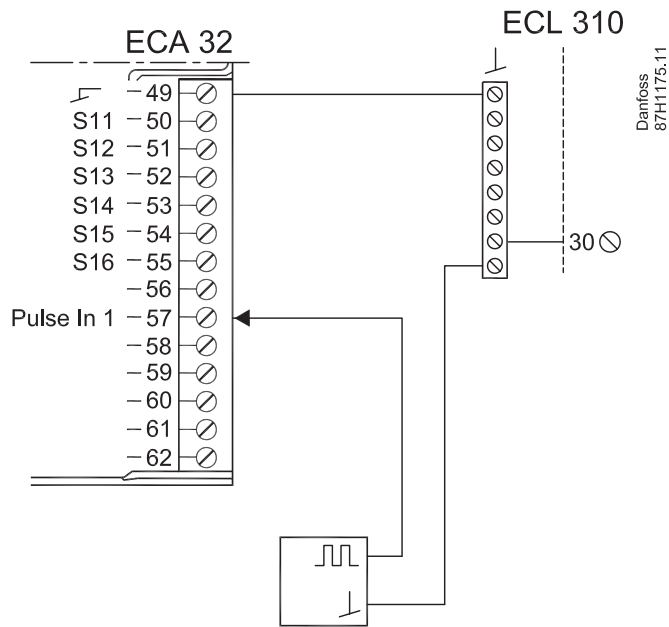
	S11	S12	S13	S14
A376.1				
A376.2				
A376.3				
A376.4				
A376.9				✓
A376.10	✓	✓		✓



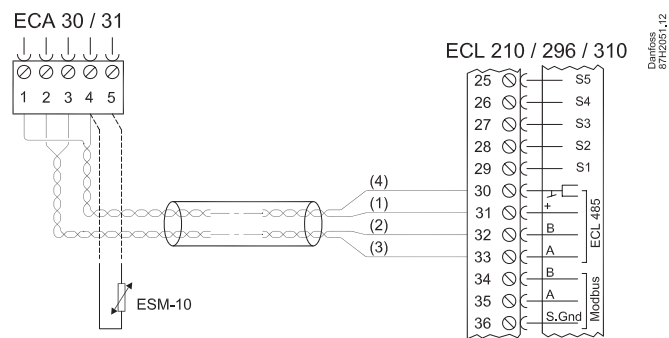
Installation Guide, ECL Comfort 310, A376



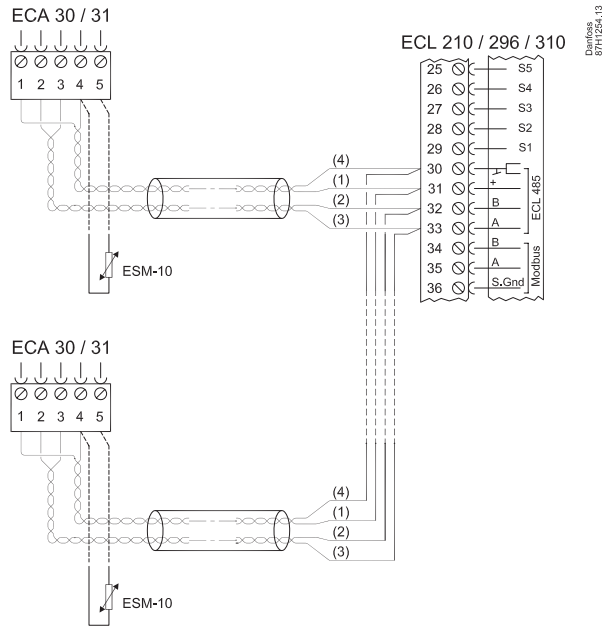
A376.9, A376.10



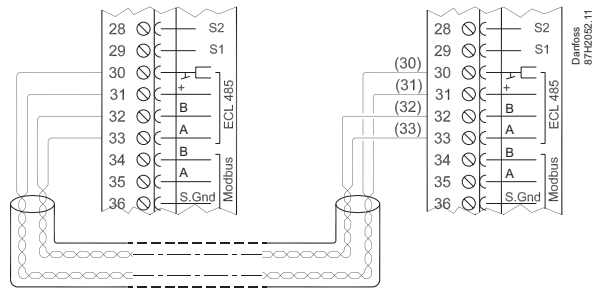
ECA 30 / 31



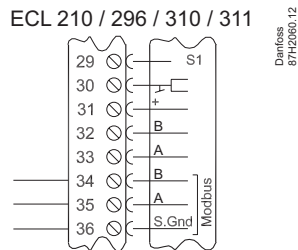
ECA 30 / 31



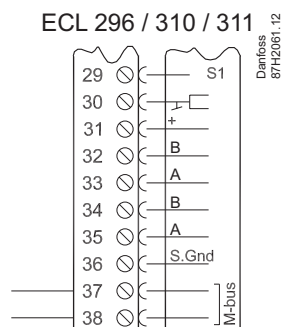
Master / slave



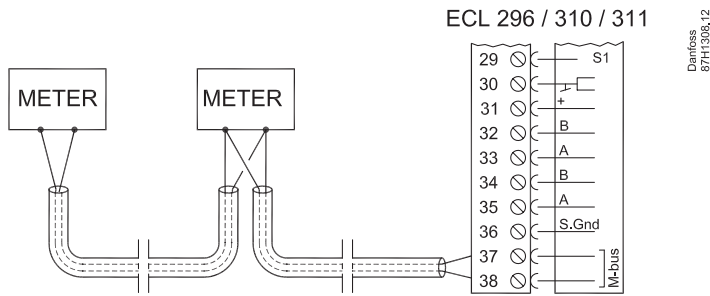
Modbus



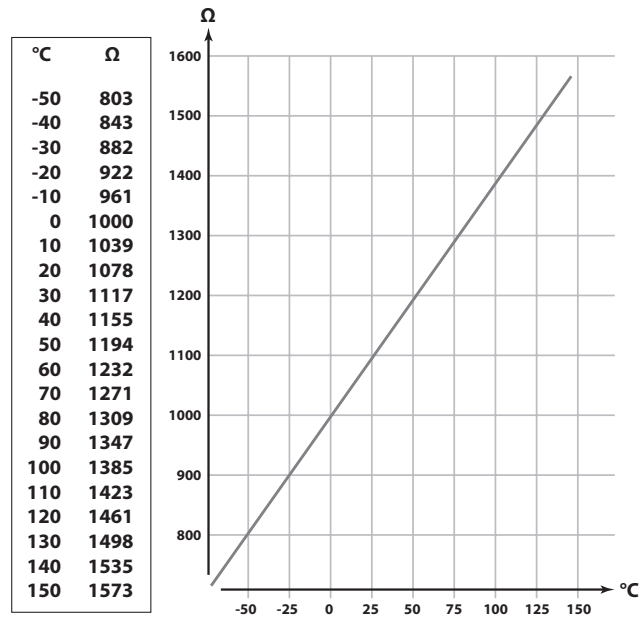
M-bus



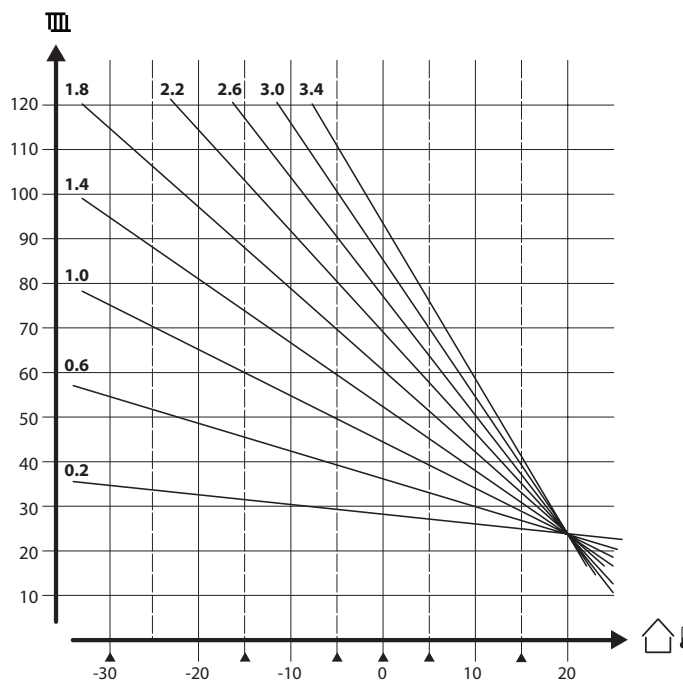
M-bus



Pt 1000 (IEC 751B, 1000 Ω / 0 °C)



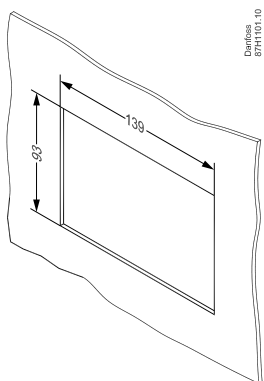
Heat curves



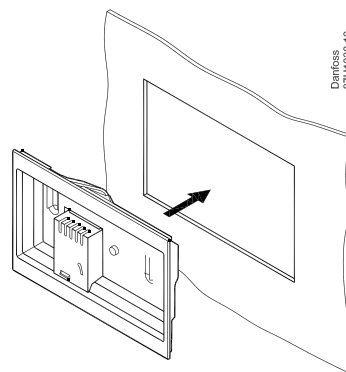
Installation Guide, ECL Comfort 310, A376

ECA 30

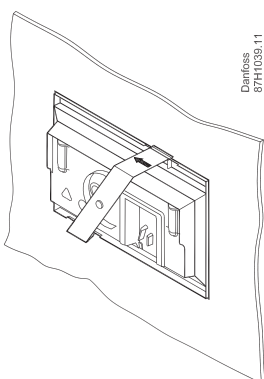
1



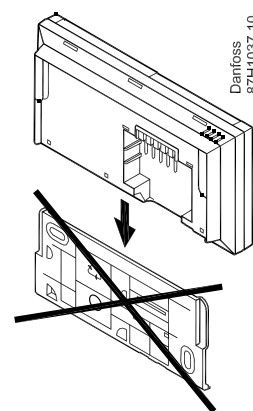
2



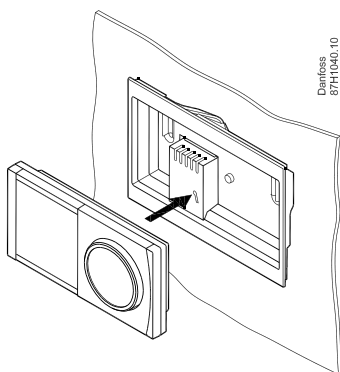
3



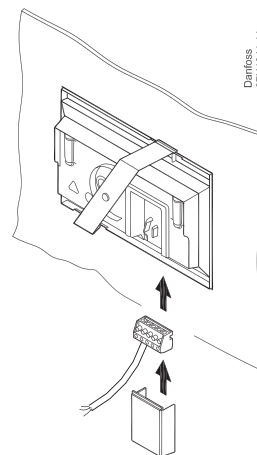
4



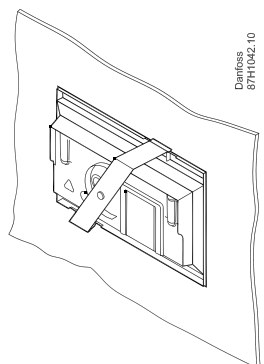
5



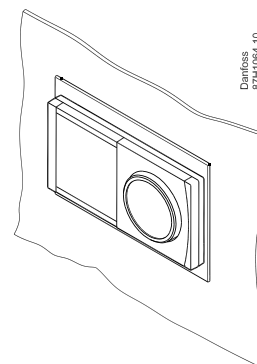
6



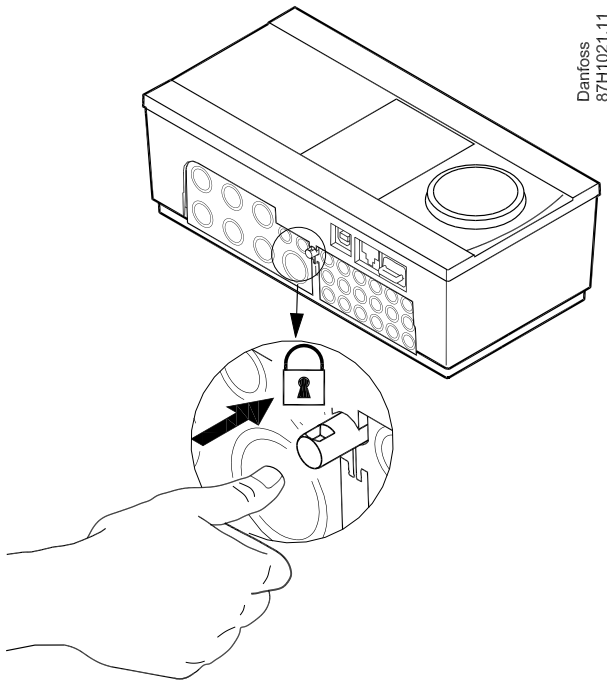
7



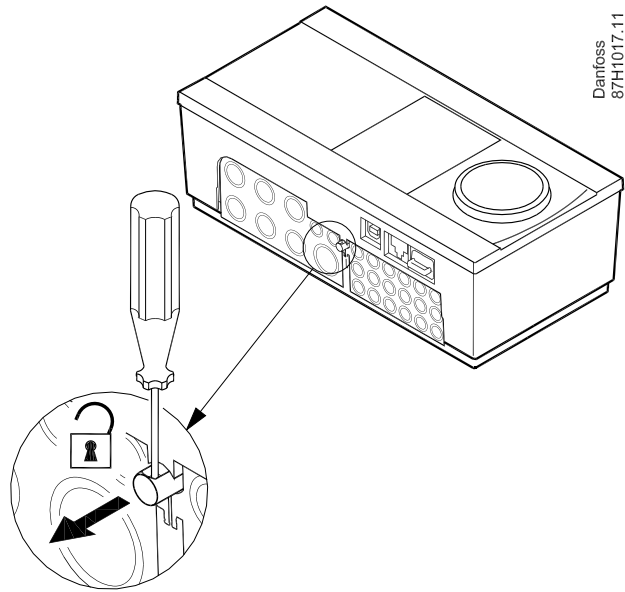
8



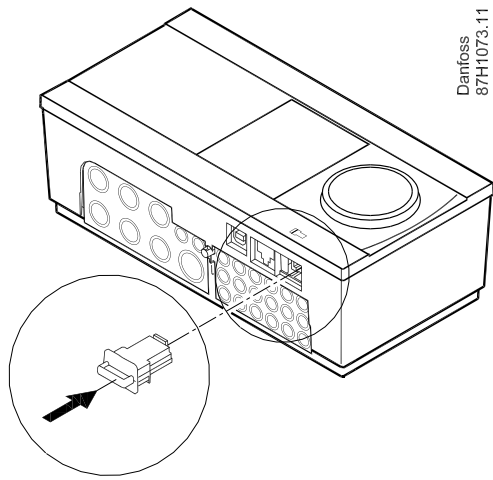
Installation Guide, ECL Comfort 310, A376



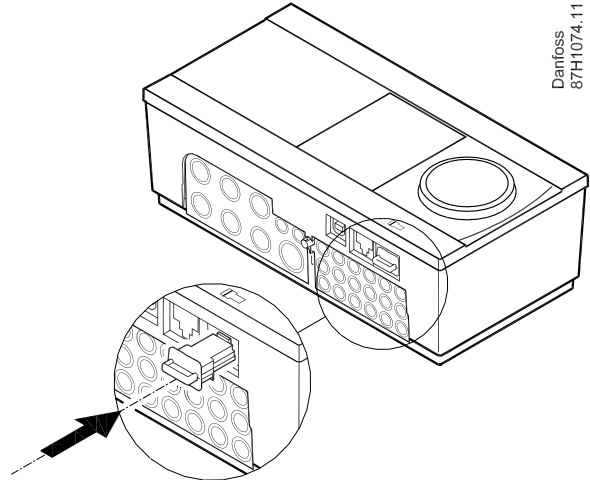
Danfoss
87H1021.11



Danfoss
87H1017.11



Danfoss
87H1073.11



Danfoss
87H1074.11

? **ECL Comfort 310, A376: www.danfoss.com or store.danfoss.com**

? **<https://www.youtube.com/user/DanfossHeating>
-> Playlists -> How-to Videos -> District Energy installation videos**



Danfoss A/S
Climate Solutions • danfoss.com • +45 7488 2222



Any information, including, but not limited to information on selection of product, its application or use, product design, weight, dimensions, capacity or any other technical data in product manuals, catalogues descriptions, advertisements, etc. and whether made available in writing, orally, electronically, online or via download, shall be considered informative, and is only binding if and to the extent, explicit reference is made in a quotation or order confirmation. Danfoss cannot accept any responsibility for possible errors in catalogues, brochures, videos and other material. Danfoss reserves the right to alter its products without notice. This also applies to products ordered but not delivered provided that such alterations can be made without changes to form, fit or function of the product.
All trademarks in this material are property of Danfoss A/S or Danfoss group companies. Danfoss and the Danfoss logo are trademarks of Danfoss A/S. All rights reserved.