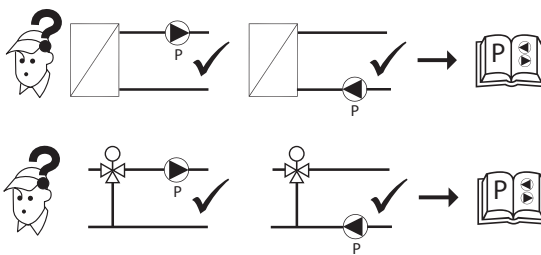
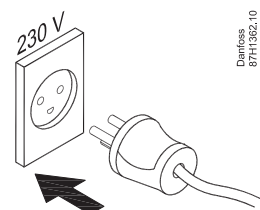
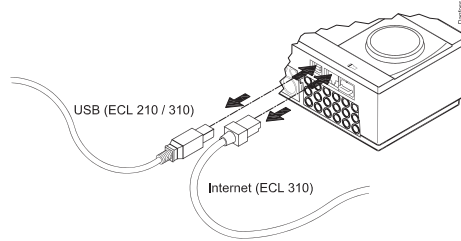
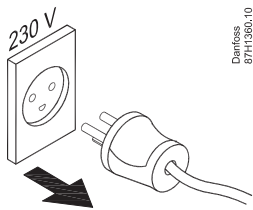
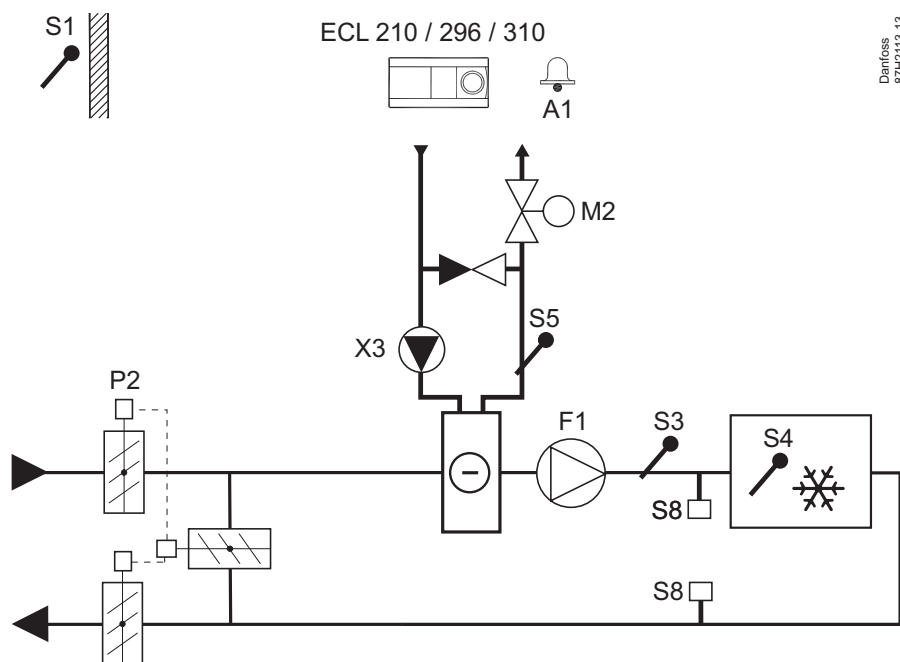


Installation Guide

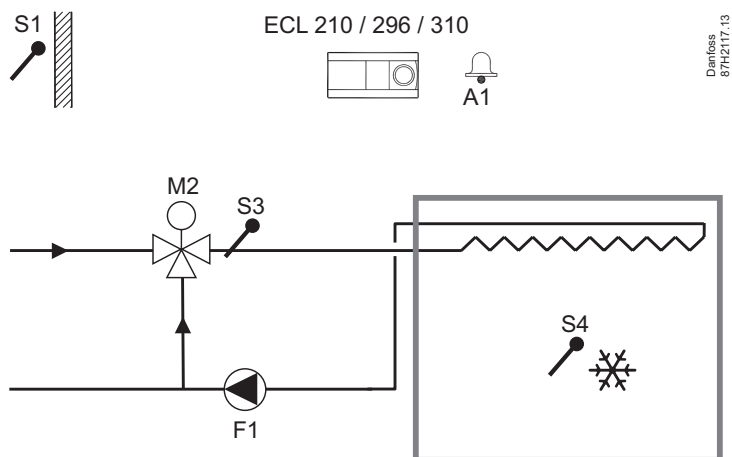
ECL Comfort 210 / 296 / 310, A214 / A314 (code no. 087H3811)



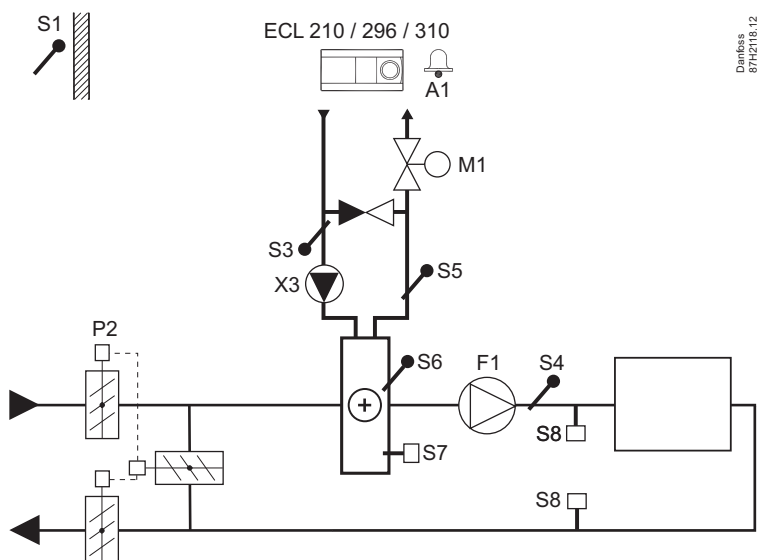
A214.1, ex. a:



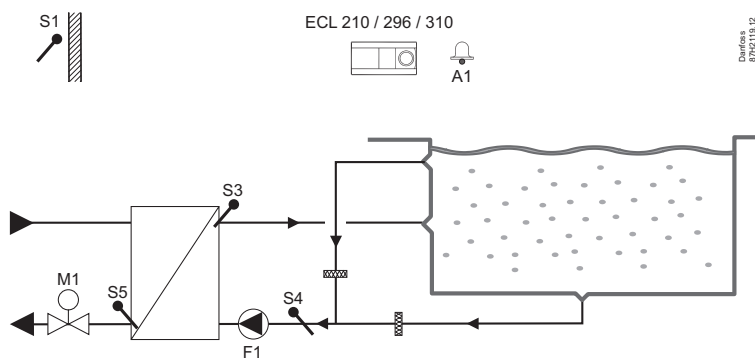
214.1 (ex. e):



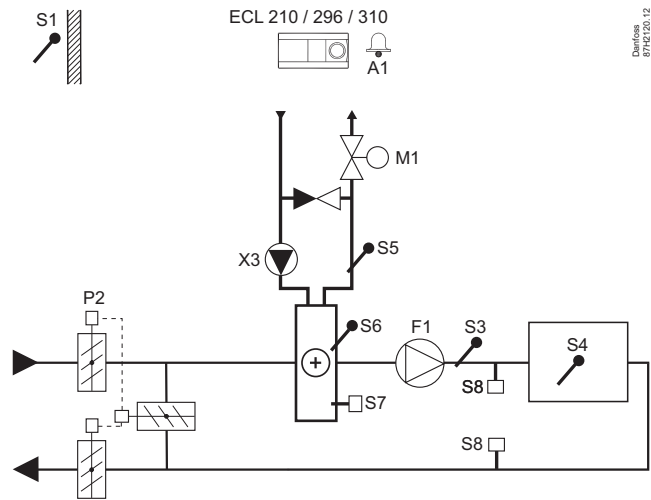
A214.2 (ex. a):



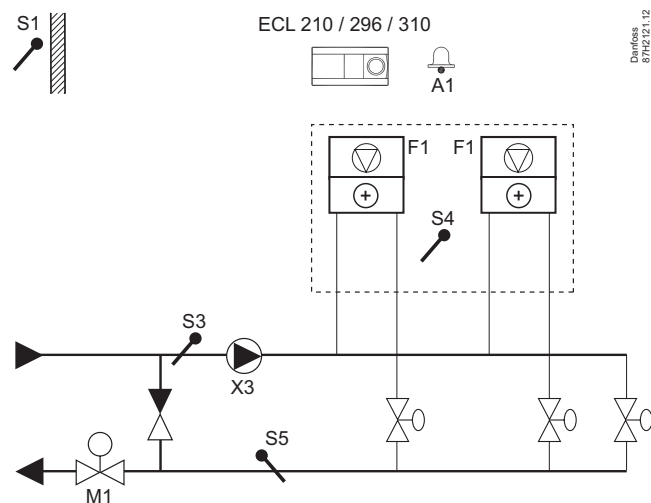
A214.2 (ex. b):



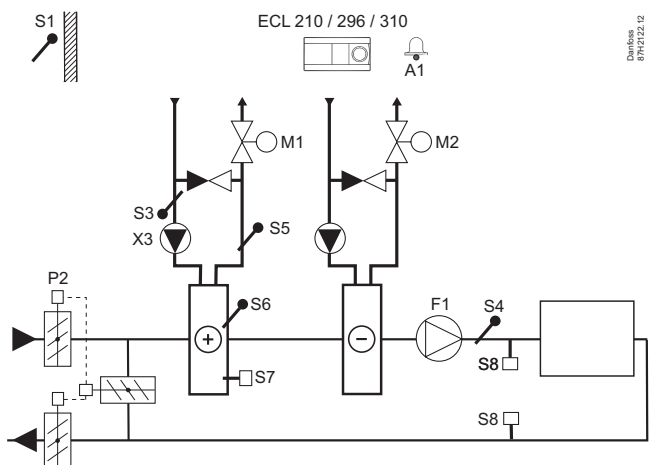
A214.3 (ex. a:)



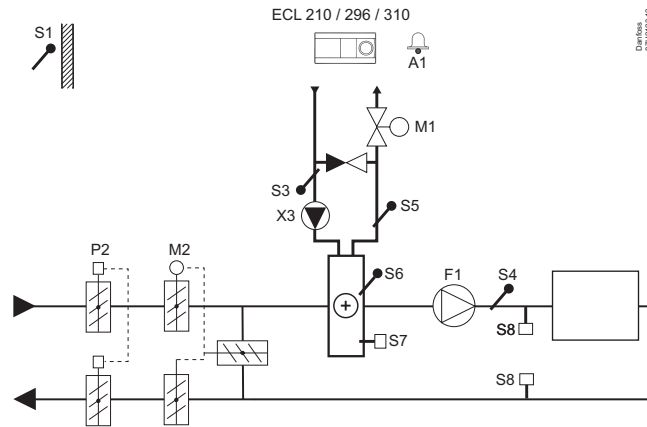
A214.3 (ex. b:)



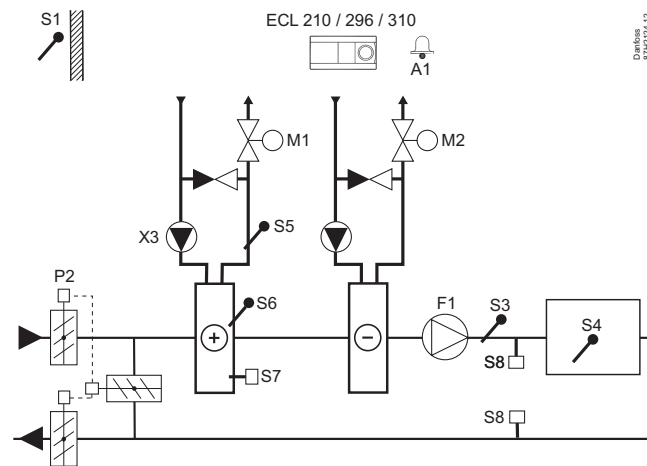
A214.4 (ex. a:)



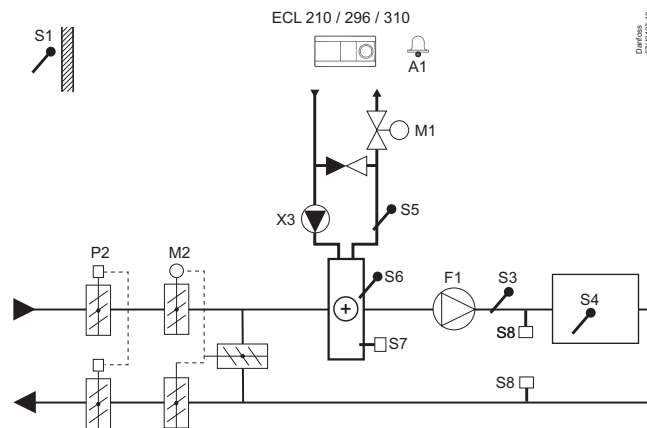
A214.4 (ex. b:)



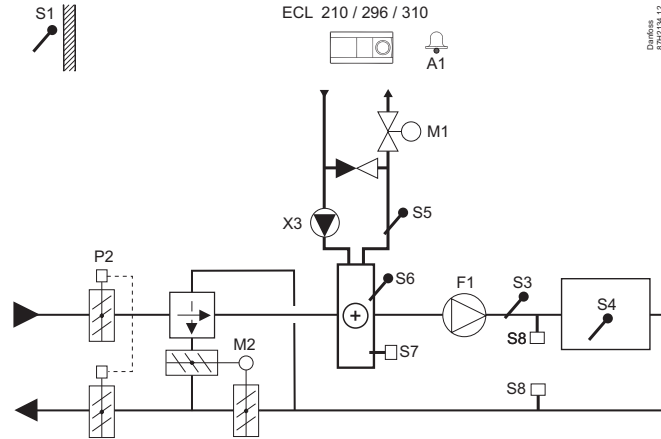
A214.5 (ex. a:)



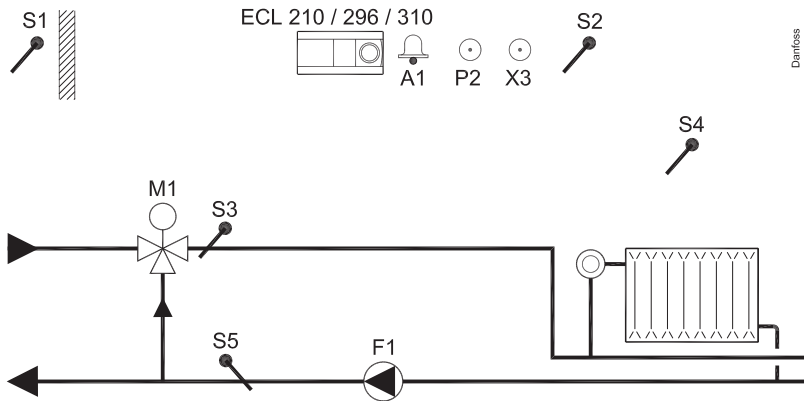
A214.5 (ex. b:)



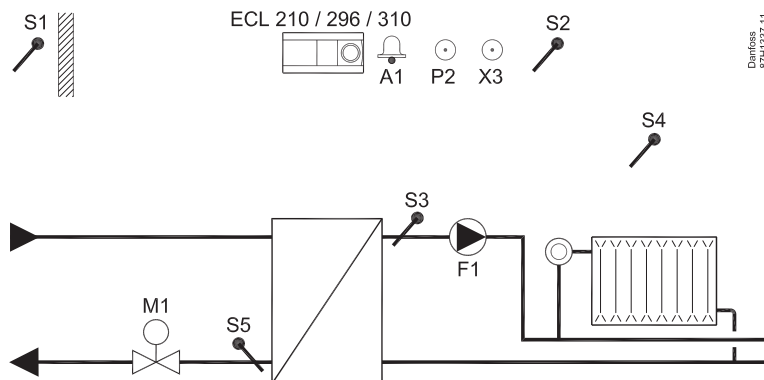
A214.5 (ex. c)



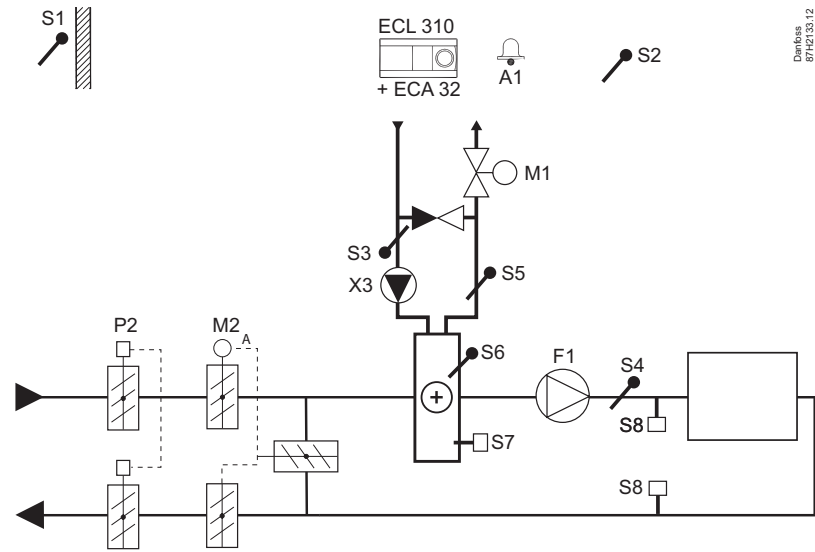
A214.6 (ex. a)



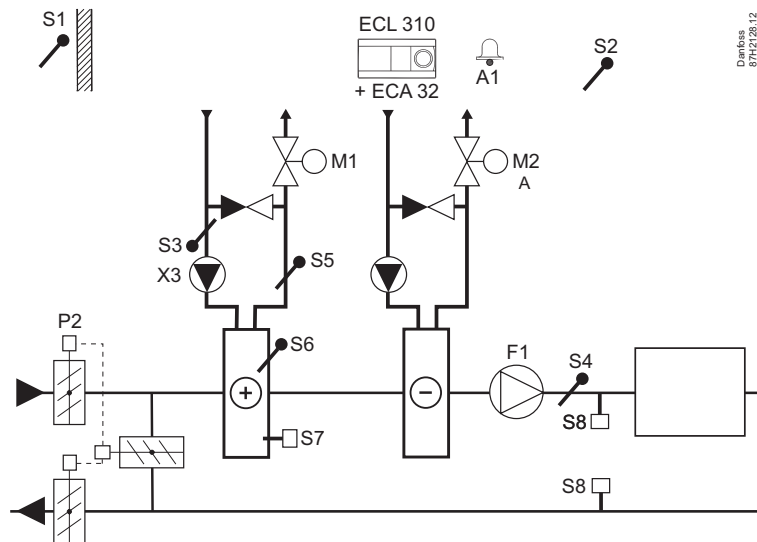
A214.6 (ex. b)



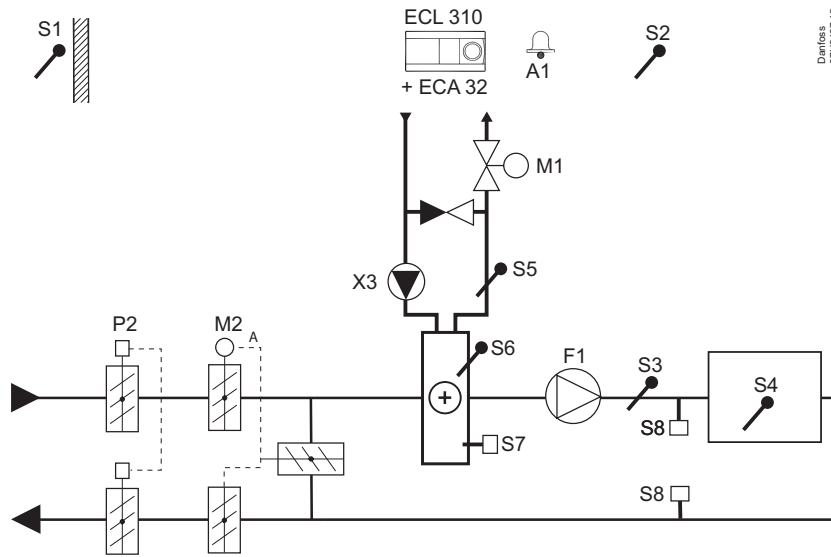
A314.1 (ex. a):



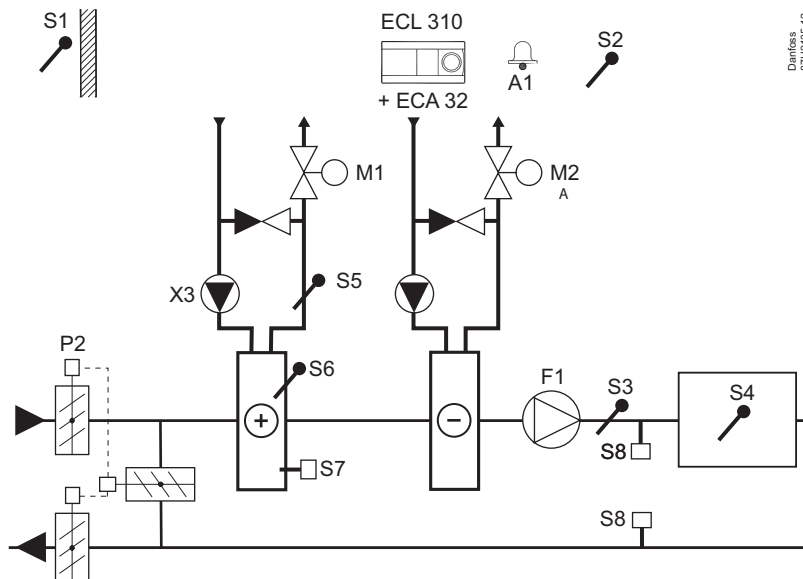
A314.1 (ex. b):



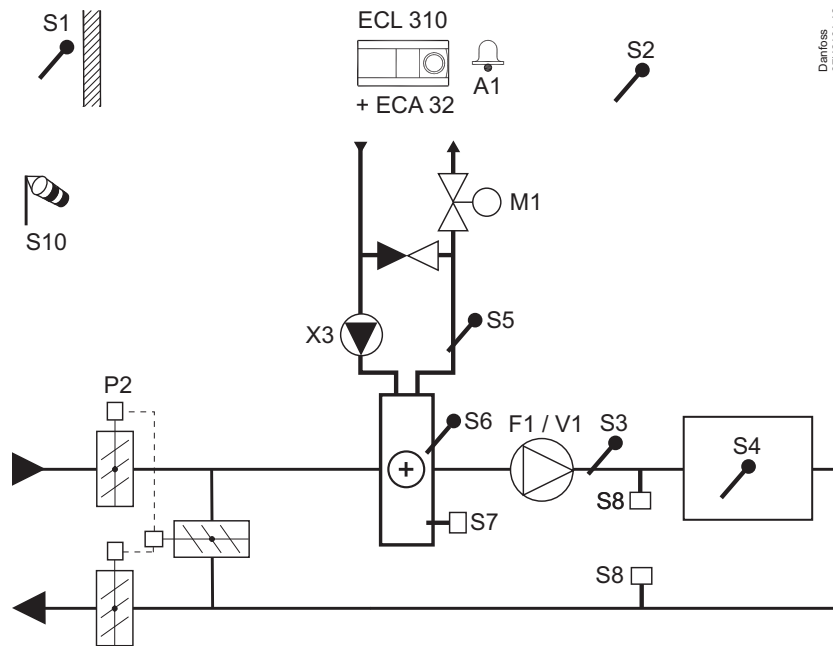
A314.2 (ex. a:)



A314.2 (ex. b:)

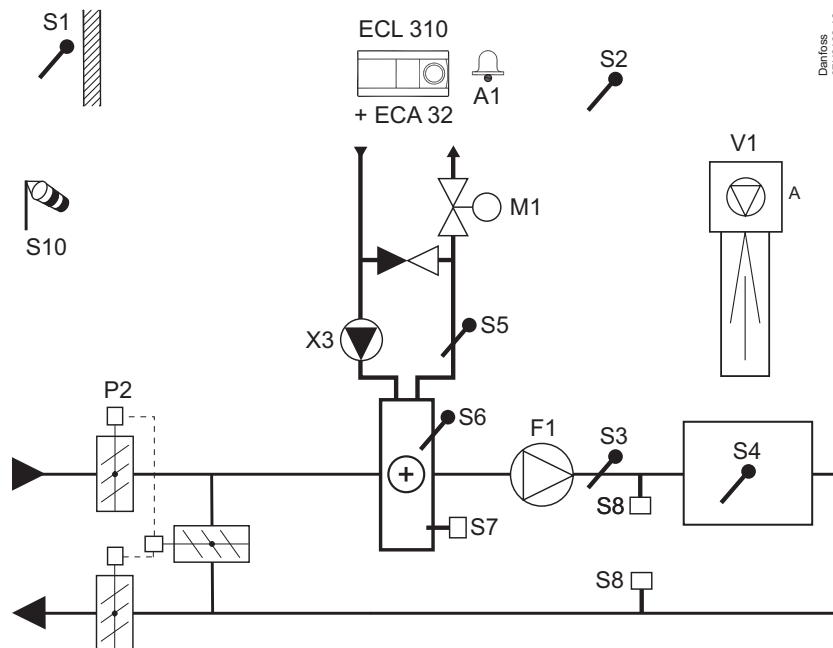


A314.3 (ex. a:)



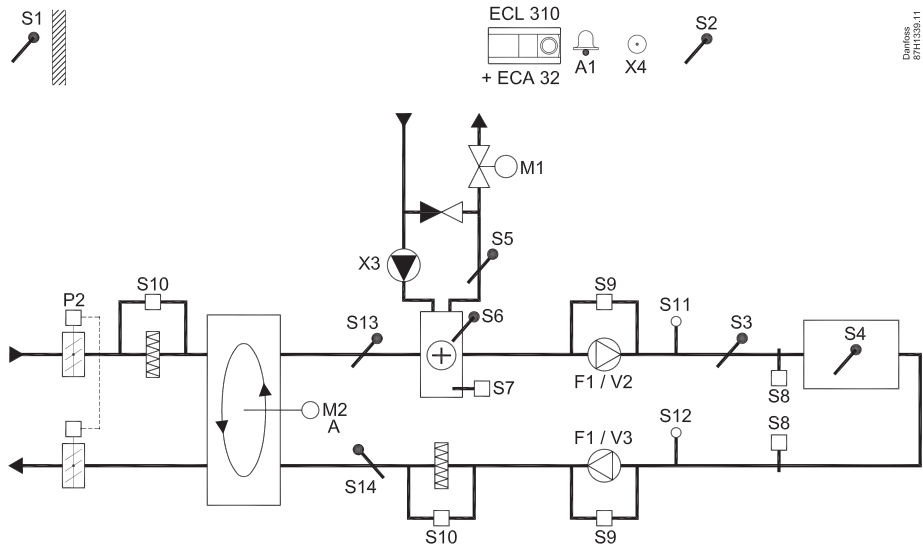
Danfoss
87H2/31.12

A314.3 (ex. b:)



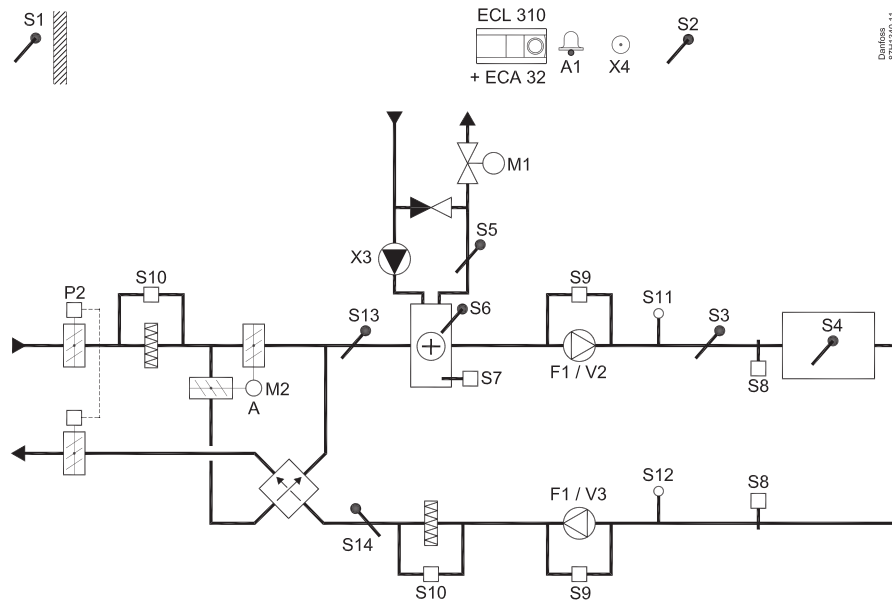
Danfoss
87H2/32.12

A314.4 (ex. a:)



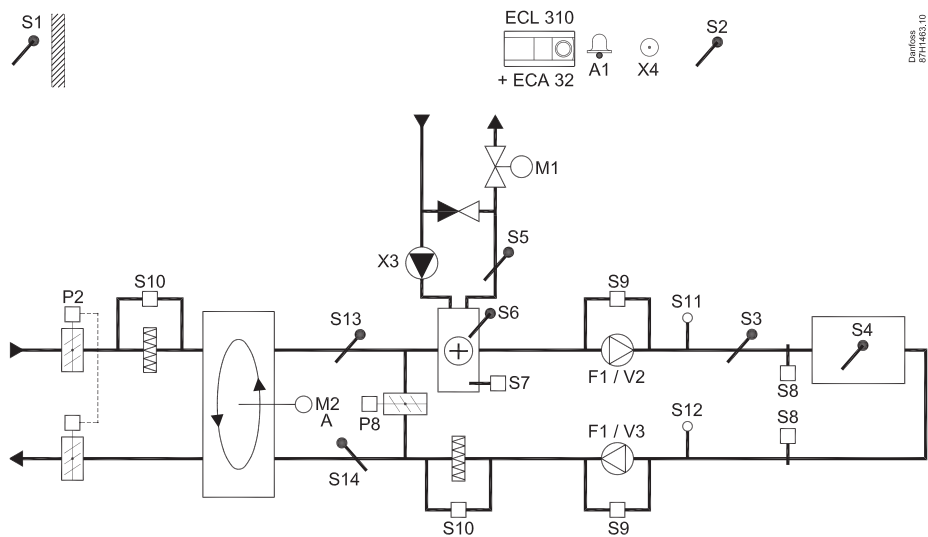
Danfoss
07H1335.11

A314.4 (ex. b:)



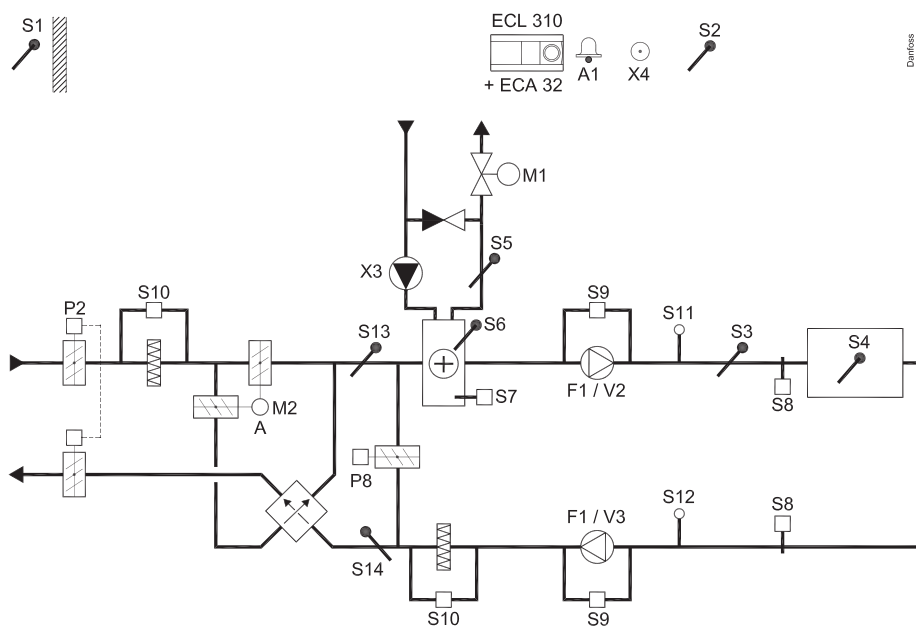
Danfoss
07H1335.11

A314.4 (ex. c:)



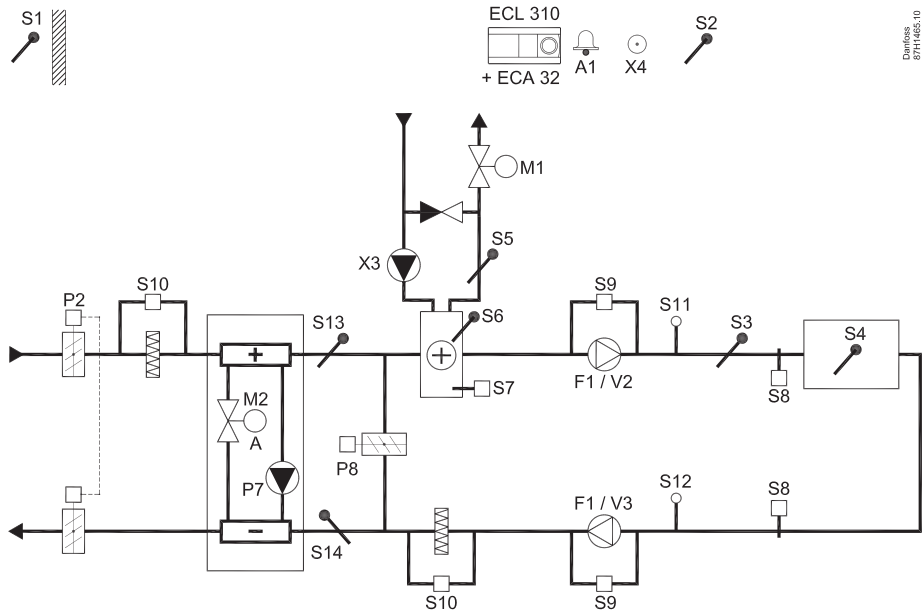
Danfoss
8711425.10

A314.4 (ex. d:)

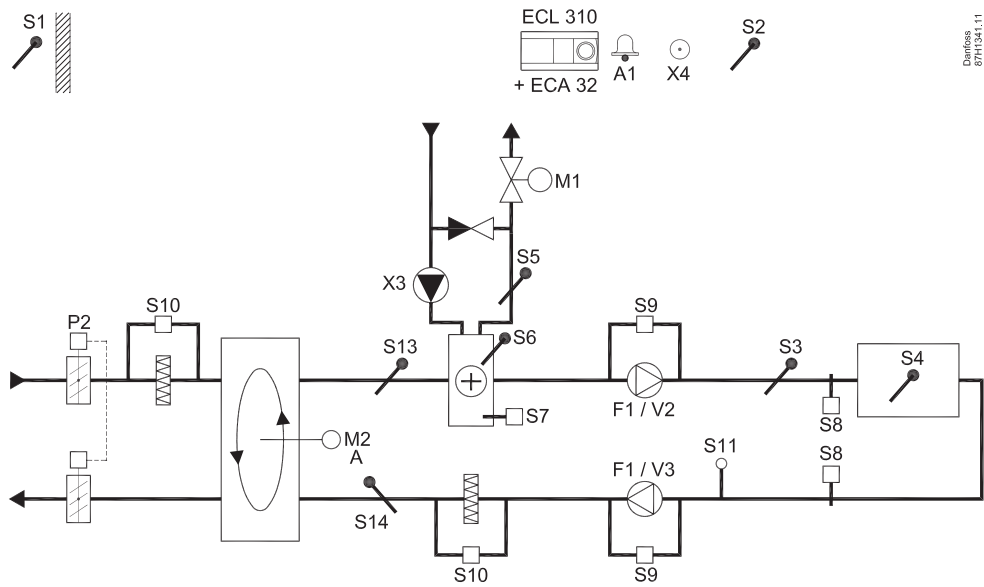


Danfoss
8711425.10

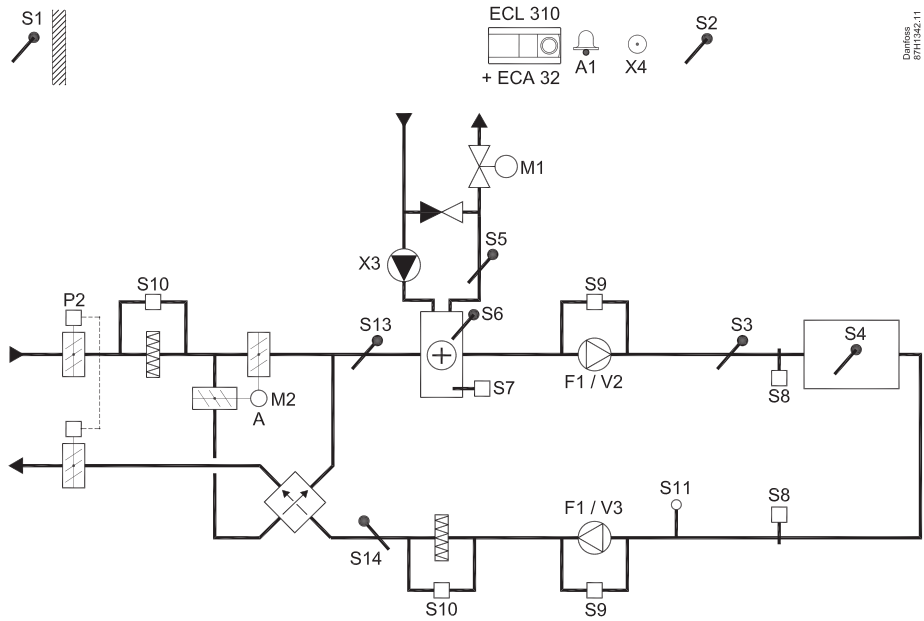
A314.4 (ex. e):



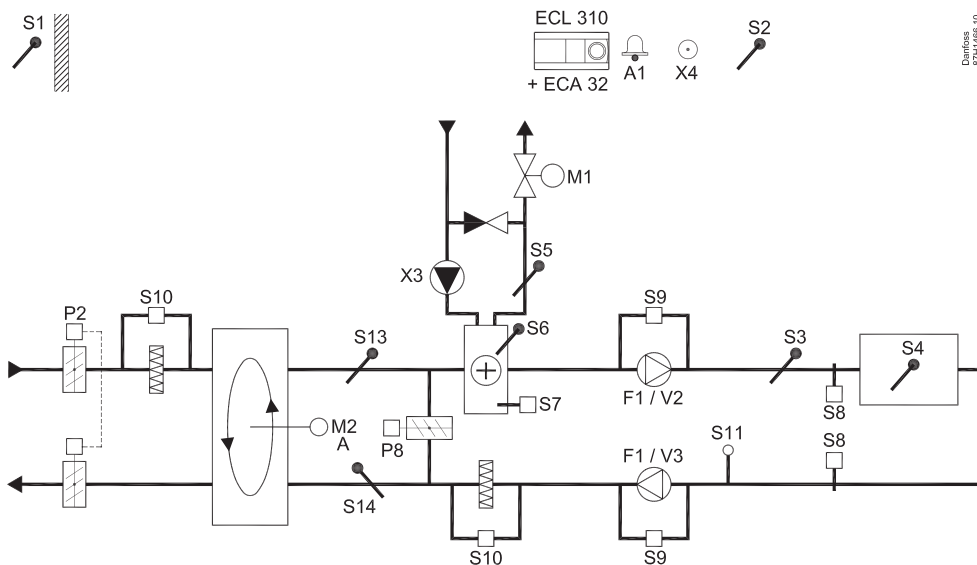
A314.5 (ex. a):



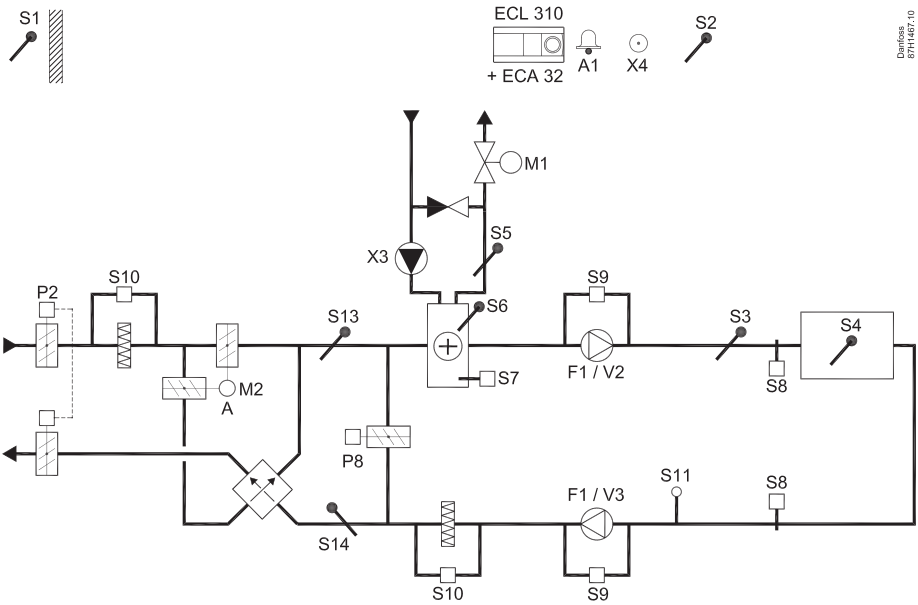
A314.5 (ex. b):



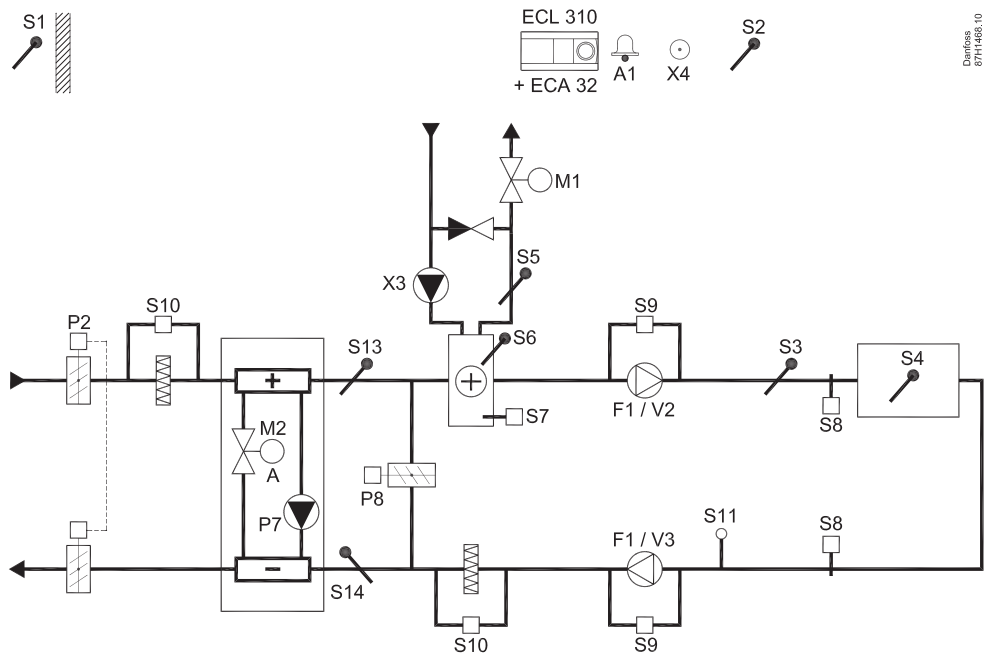
A314.5 (ex. c):



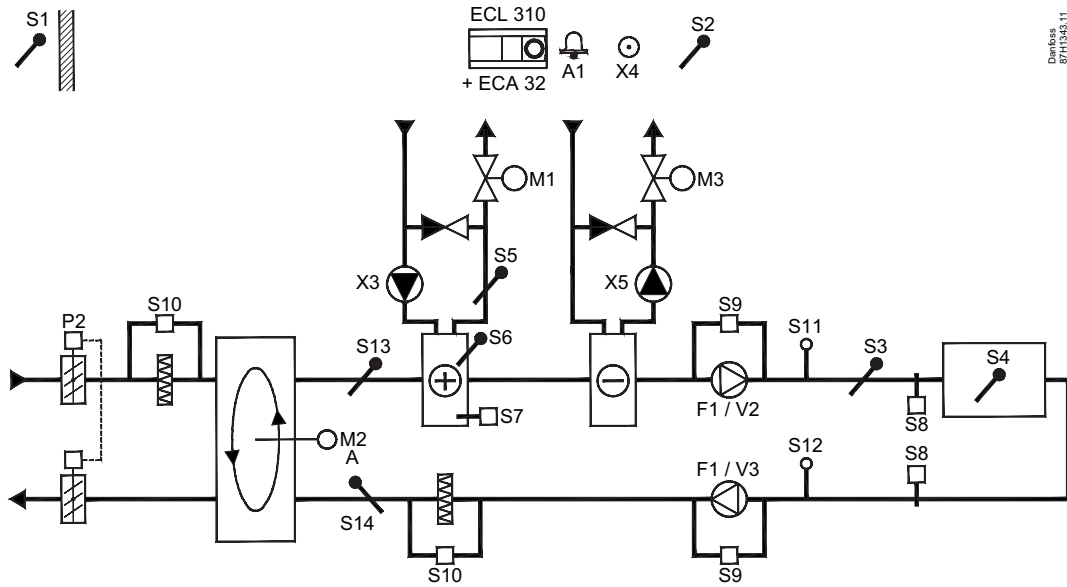
A314.5 (ex. d):



A314.5 (ex. e):

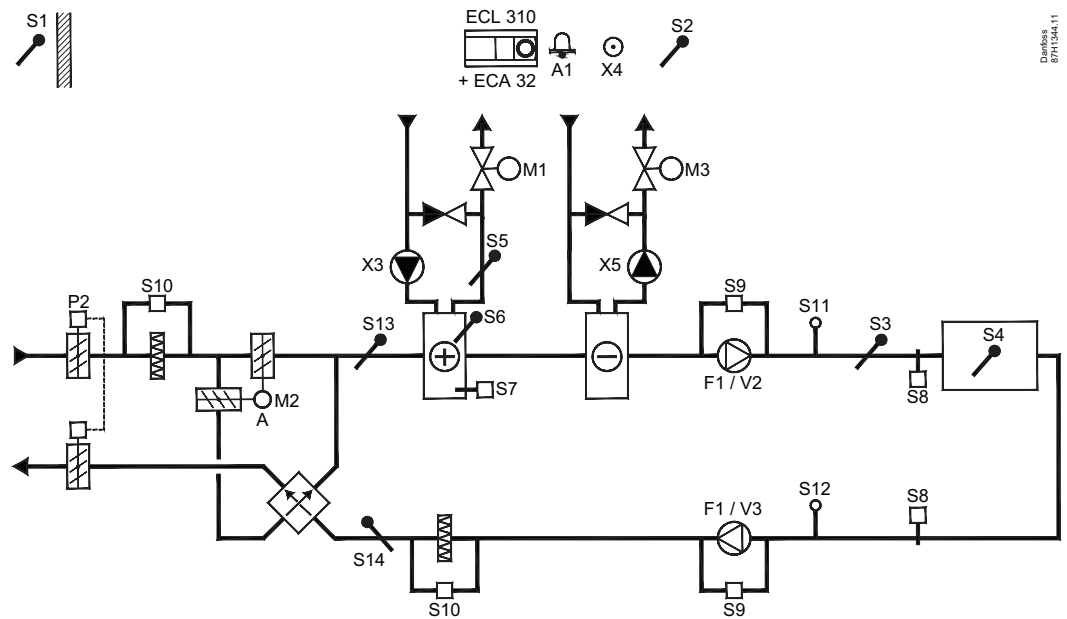


A314.6 (ex. a):



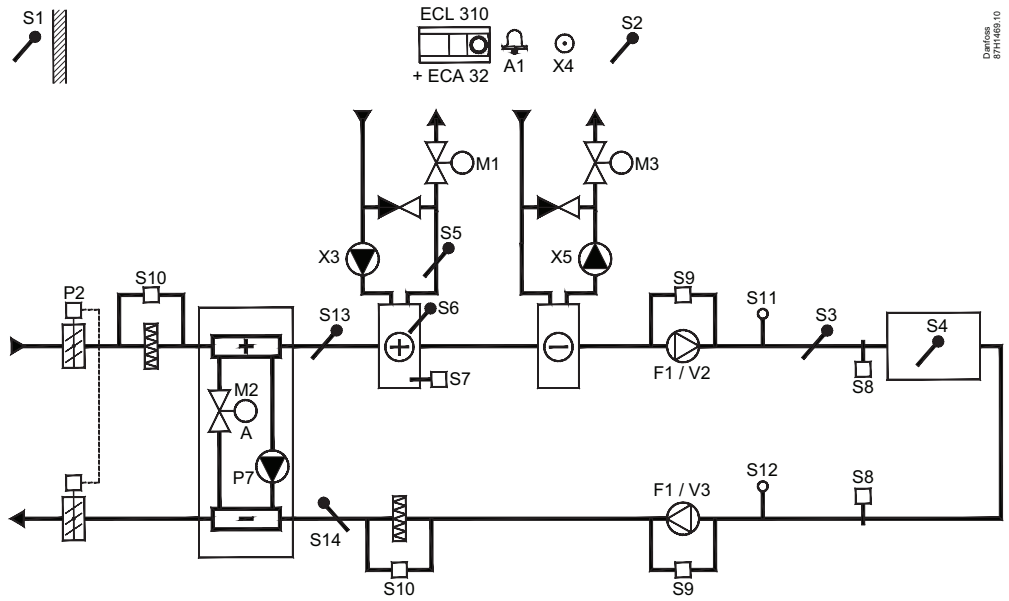
Danfoss
8711343.11

A314.6 (ex. b):



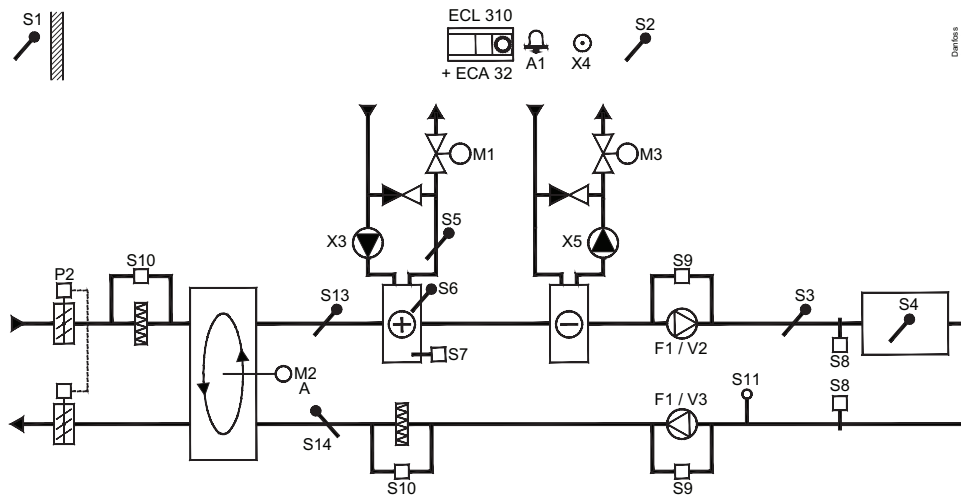
Danfoss
8711344.11

A314.6 (ex. c:)



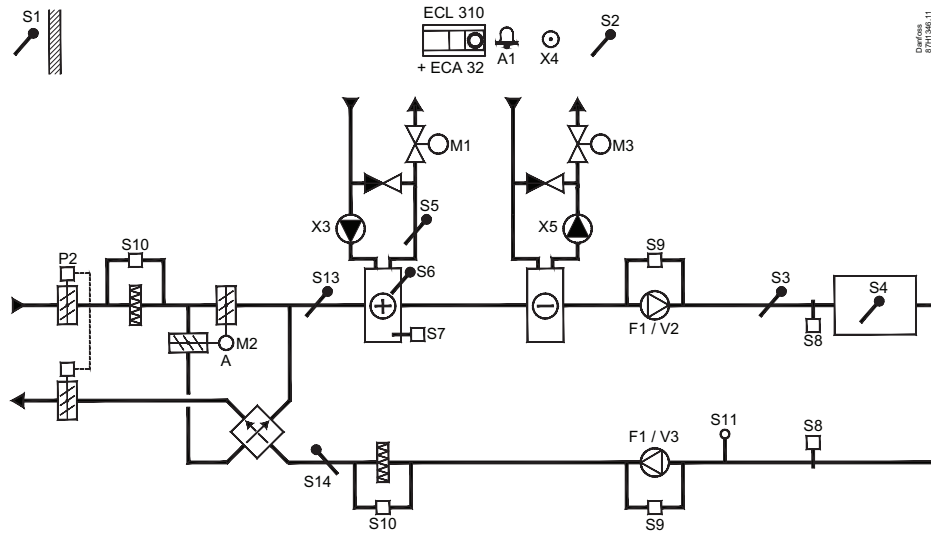
Danfoss
8711485:10

A314.7 (ex. a:)



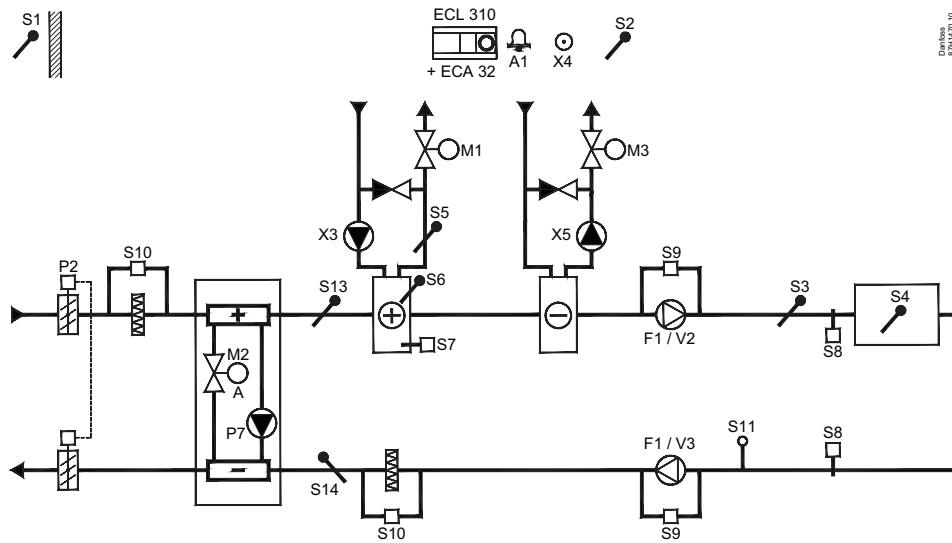
Danfoss
8711485:11

A314.7 (ex. b:)



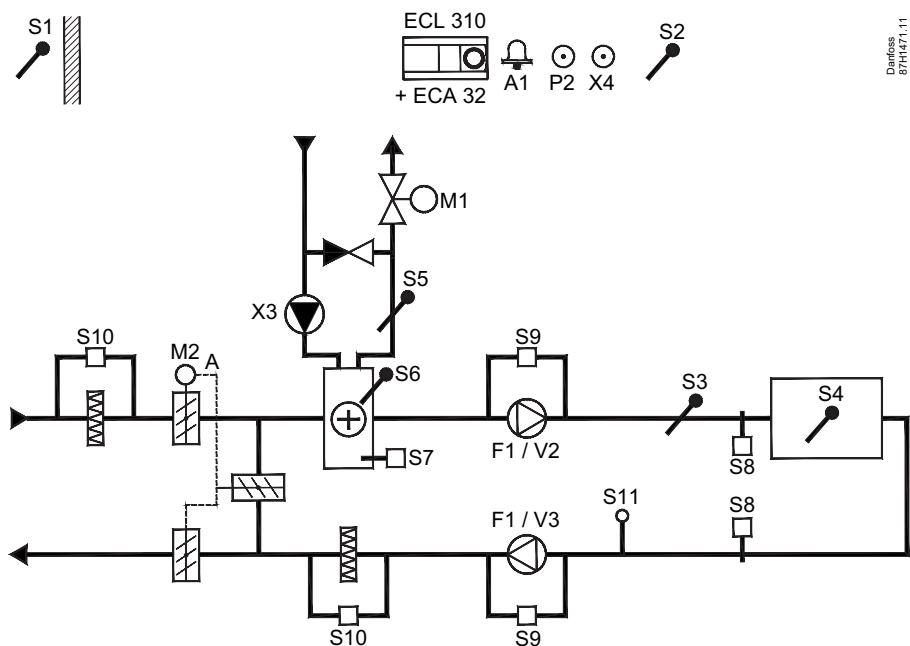
Danfoss
09/17/13/01.11

A314.7 (ex. c:)

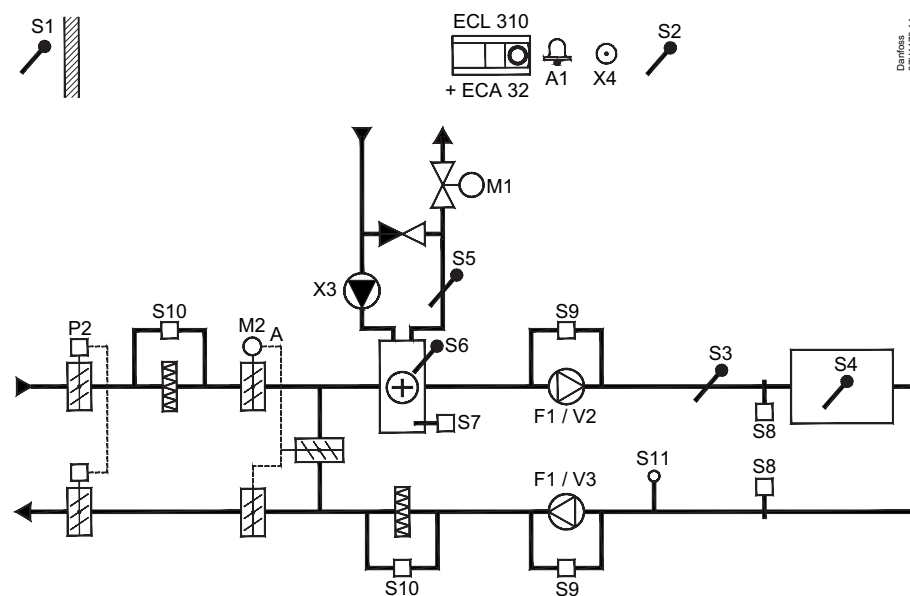


Danfoss
09/17/13/01.10

A314.9 (ex. a:)



A314.9 (ex. b:)



230 V a.c., A214

ECL 210 / 310:

	3-point:		
	M1	M2	M3
A214.1		✓	
A214.2	✓		
A214.3	✓		
A214.4	✓	✓	
A214.5	✓	✓	
A214.6	✓		

ECL 310:

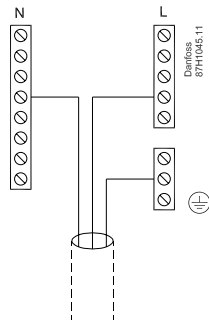
	3-point:				0 - 10 V: (ECA 32)	
	M1	M2	M3		M1	M2
A314.1	✓				✓	
A314.2	✓				✓	
A314.3	✓					
A314.4	✓				✓	
A314.5	✓				✓	
A314.6	✓		✓		✓	
A314.7	✓		✓		✓	
A314.9	✓				✓	

	ECL Comfort 210						
	ECL Comfort 310					ECA 32	
	F1	P2	X3	X4	X5	P7	P8
A214.1	✓	✓	✓				
A214.2	✓	✓	✓				
A214.3	✓	✓	✓				
A214.4	✓	✓	✓				
A214.5	✓	✓	✓				
A214.6	✓	✓	✓				
A314.1	✓	✓	✓				
A314.2	✓	✓	✓				
A314.3	✓	✓	✓				
A314.4	✓	✓	✓	✓		✓	✓
A314.5	✓	✓	✓	✓		✓	✓
A314.6	✓	✓	✓	✓	✓	✓	
A314.7	✓	✓	✓	✓	✓	✓	
A314.9	✓	✓	✓	✓	✓		

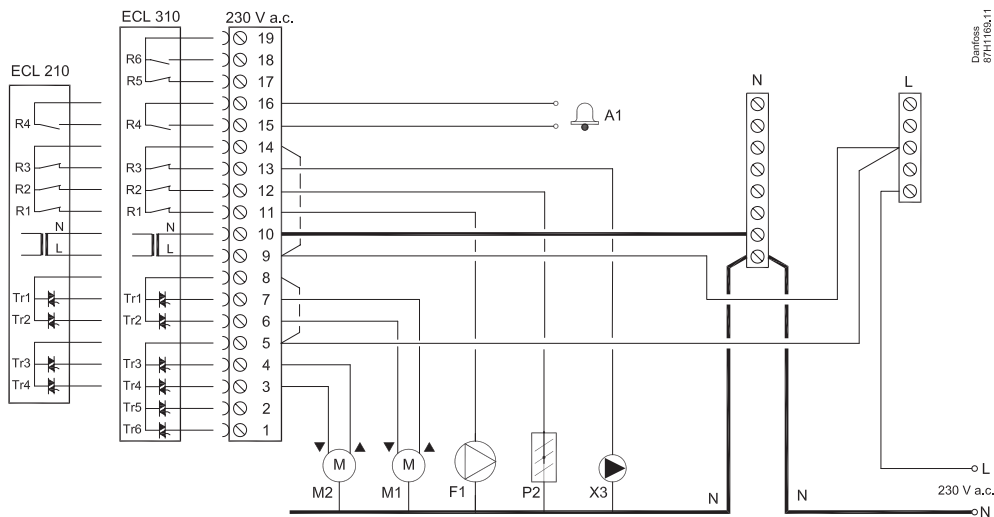
Installation Guide, ECL Comfort 210 / 296 / 310, A214 / A314

ECL Comfort 210 / 310: 230 V a.c.

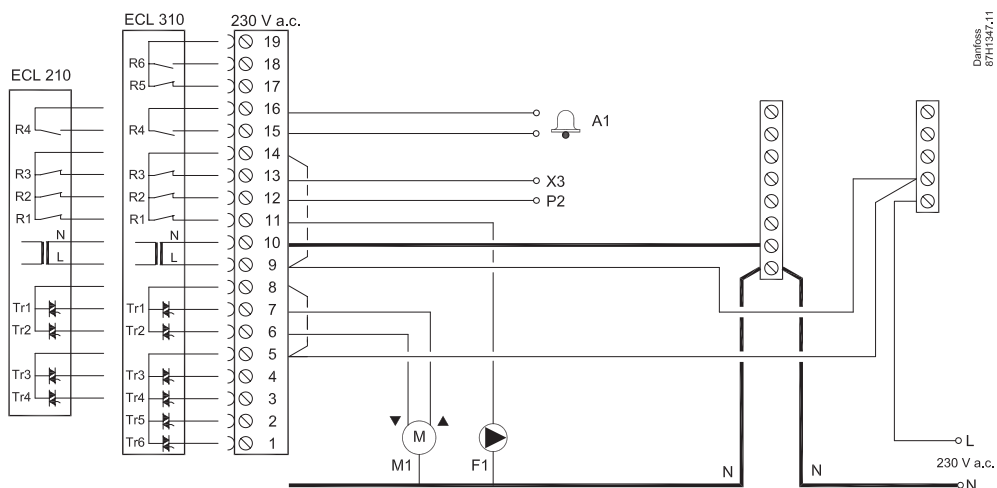
R		4 (2) A / 24 V a.c.
R		
Tr		1 A / 24 V a.c.



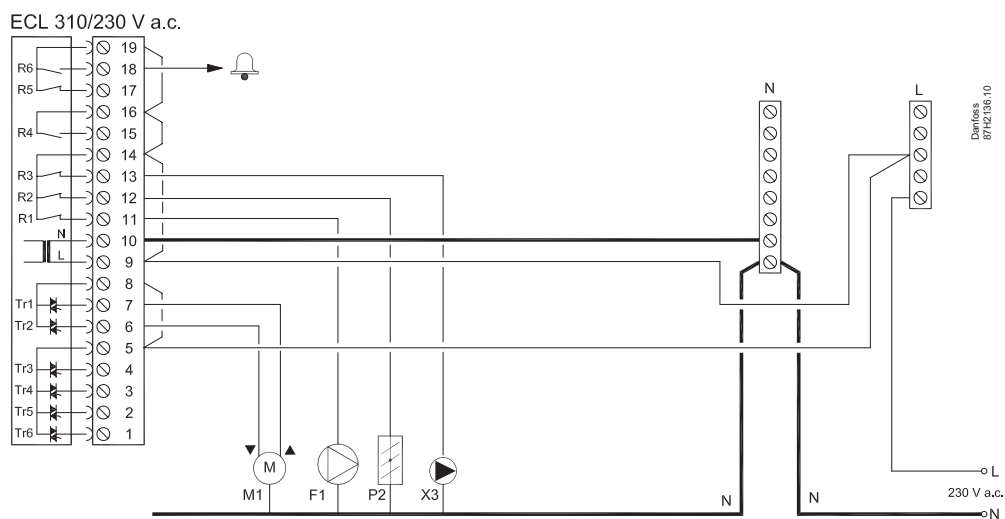
230 V a.c., A214



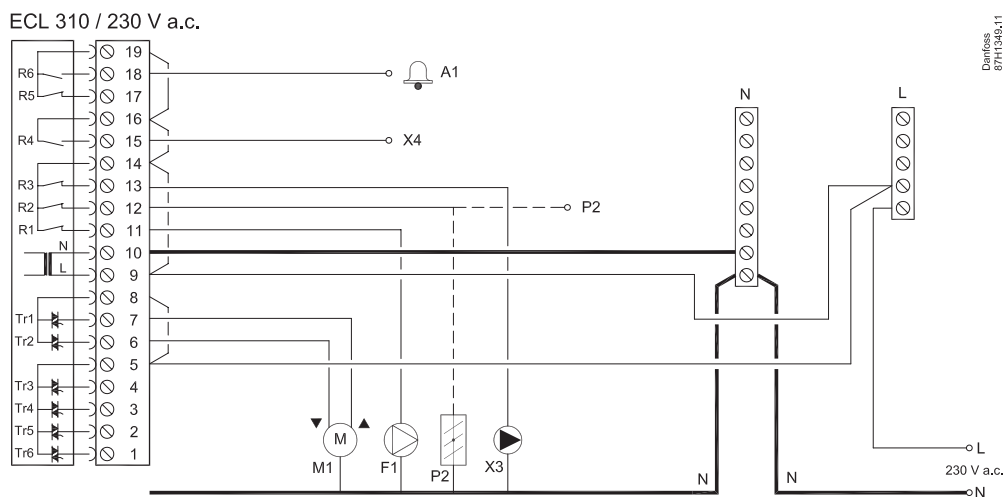
230 V a.c. (A214.6)



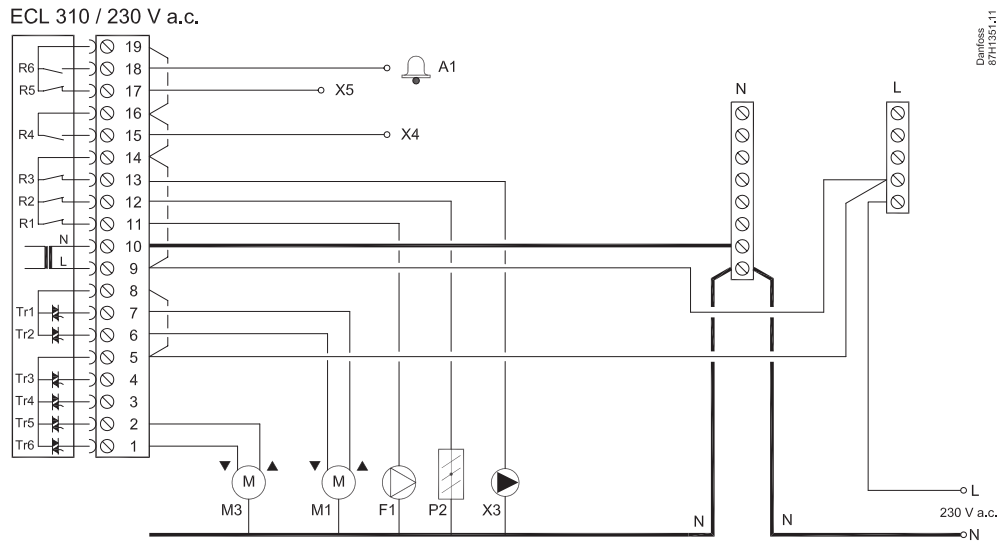
230 V a.c. (A314.1 / A314.2 / A314.3)



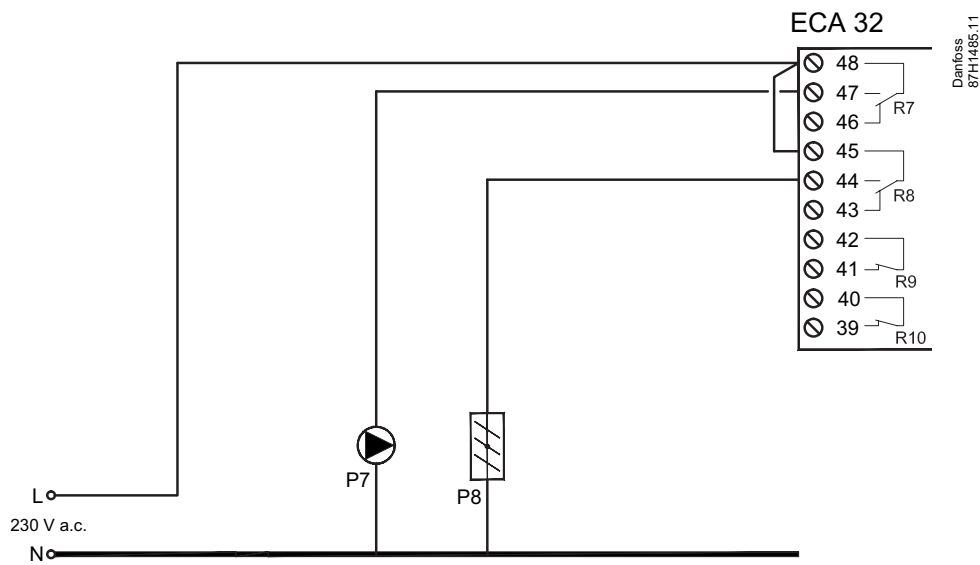
230 V a.c. (A314.4 / A314.5 / A314.9)



230 V a.c. (A314.6 / A314.7)



ECA 32



24 V a.c., A214

ECL 310:

	3-point:		
	M1	M2	M3
A214.1		✓	
A214.2	✓		
A214.3	✓		
A214.4	✓	✓	
A214.5	✓	✓	
A214.6	✓		

ECL 310:

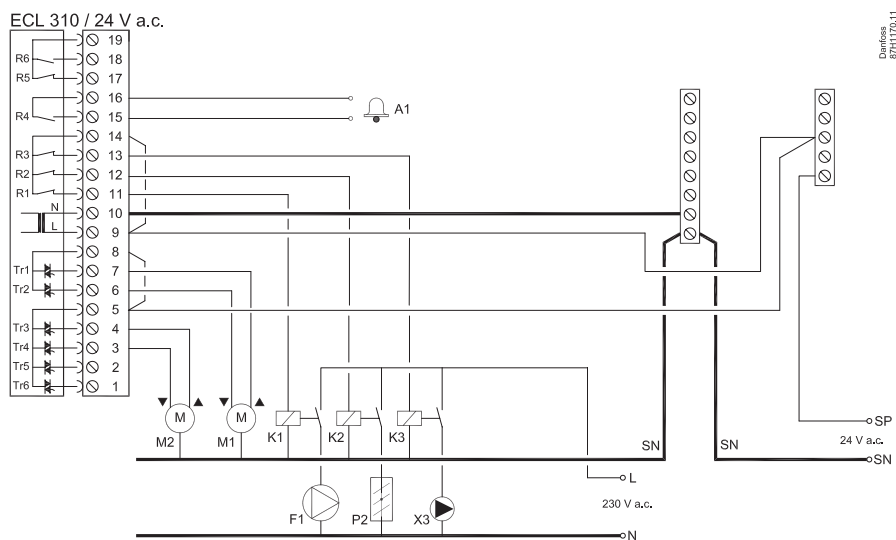
	3-point:				0 - 10 V: (ECA 32)	
	M1	M2	M3		M1	M2
A314.1	✓				✓	
A314.2	✓				✓	
A314.3	✓					
A314.4	✓				✓	
A314.5	✓				✓	
A314.6	✓		✓		✓	
A314.7	✓		✓		✓	
A314.9	✓				✓	

	ECL Comfort 310						ECA 32	
	F1	P2	X3	X4	X5		P7	P8
A214.1	✓	✓	✓					
A214.2	✓	✓	✓					
A214.3	✓	✓	✓					
A214.4	✓	✓	✓					
A214.5	✓	✓	✓					
A214.6	✓	✓	✓					
A314.1	✓	✓	✓					
A314.2	✓	✓	✓					
A314.3	✓	✓	✓					
A314.4	✓	✓	✓	✓		✓	✓	
A314.5	✓	✓	✓	✓		✓	✓	
A314.6	✓	✓	✓	✓	✓	✓		
A314.7	✓	✓	✓	✓	✓	✓		
A314.9	✓	✓	✓	✓	✓			

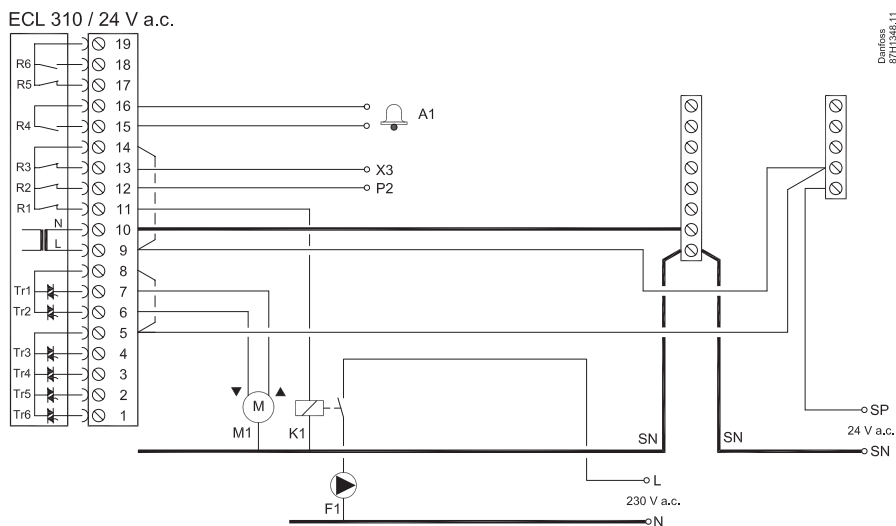
**ECL Comfort 210 / 310:
24 V a.c.**

R		4 (2) A / 24 V a.c.
Tr		1 A / 24 V a.c.

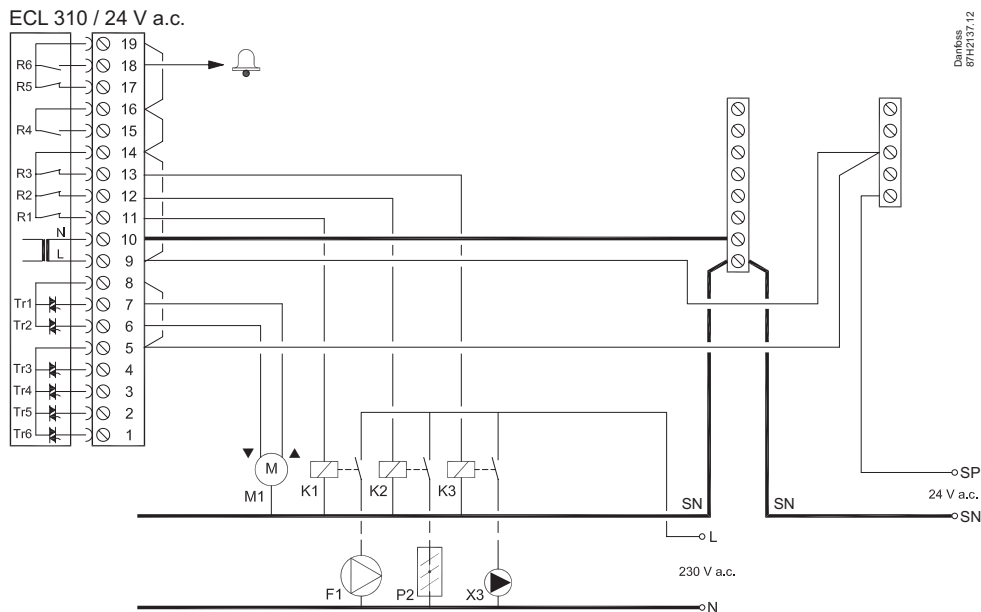
24 V a.c., A214



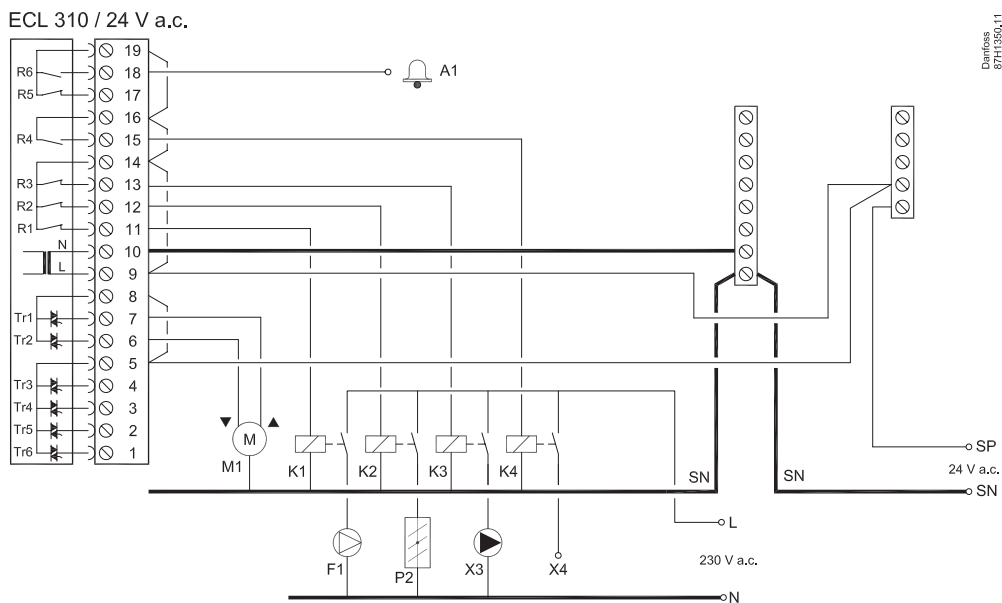
24 V a.c. (A214.6)



24 V a.c. (A314.1 / A314.2 / A314.3)

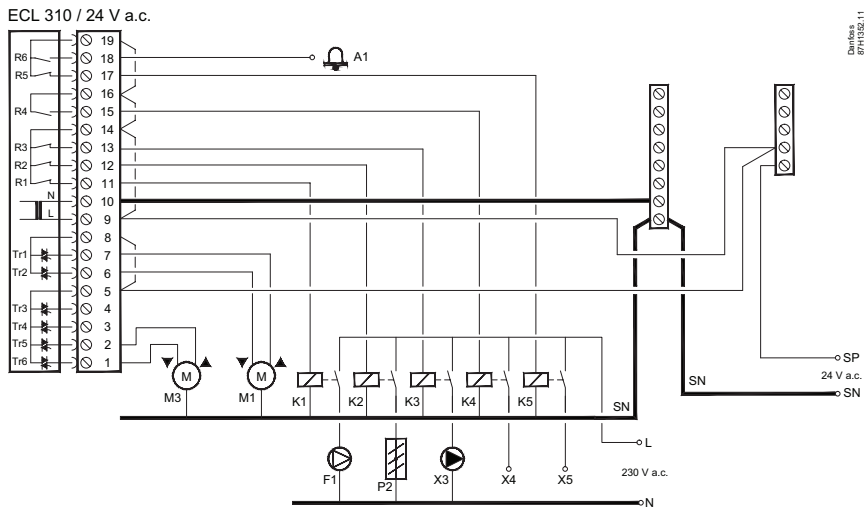


24 V a.c. (A314.4 / A314.5 / A314.9)

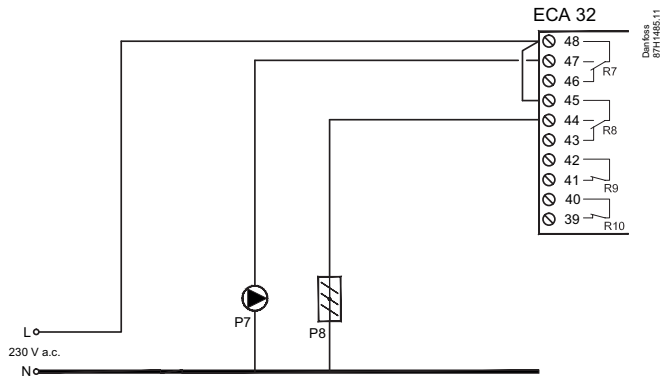


Installation Guide, ECL Comfort 210 / 296 / 310, A214 / A314

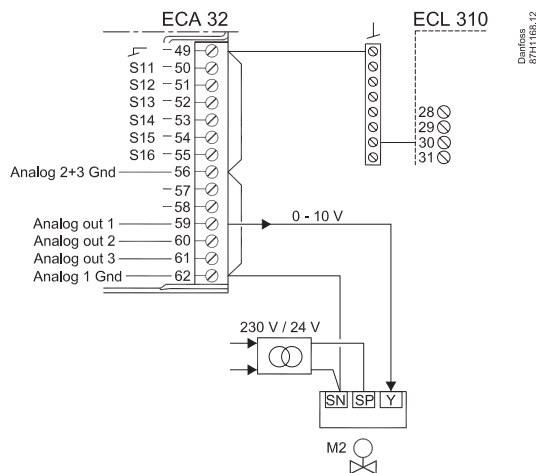
24 V a.c. (A314.6 / A314.7)



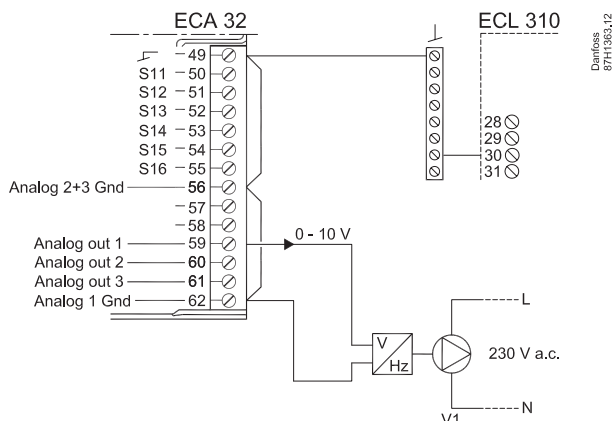
ECA 32



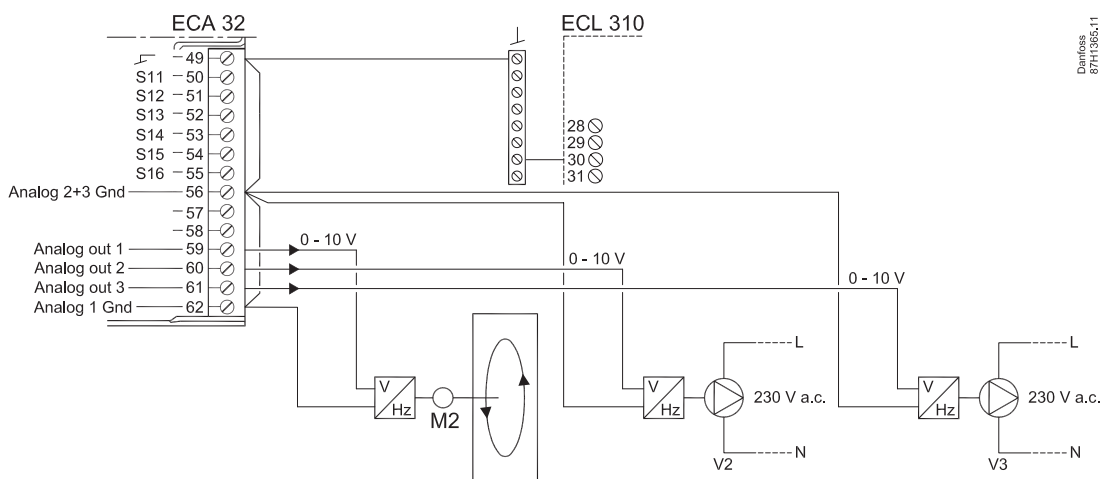
ECA 32 (A314.1 / A314.2)



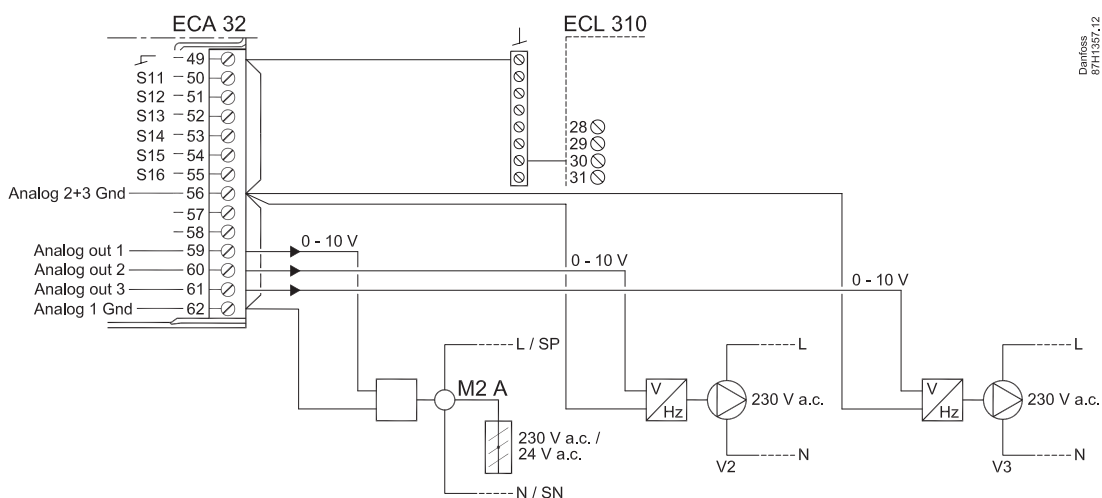
ECA 32 (A314.3)



ECA 32 (A314.4, ex. a / A314.5, ex. a / A314.6, ex. a / A314.7, ex. a)

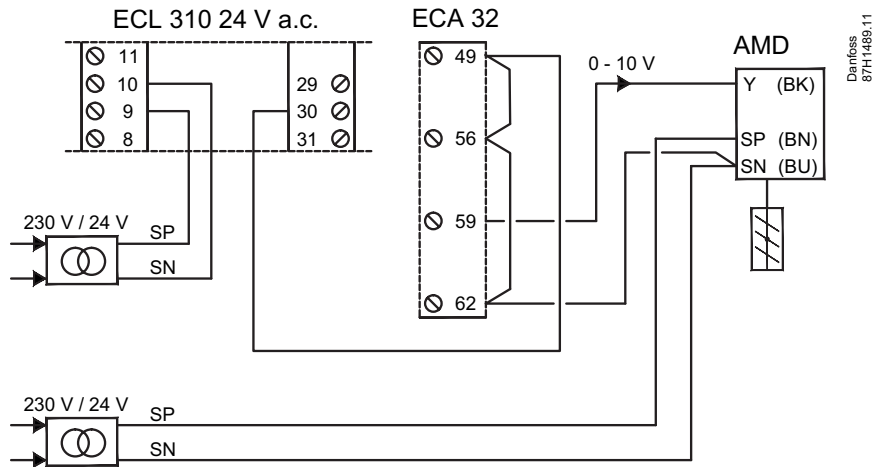


ECA 32 (A314.4, ex. a / A314.5, ex. a / A314.6, ex. a / A314.7, ex. a / A314.9, ex. a + b)



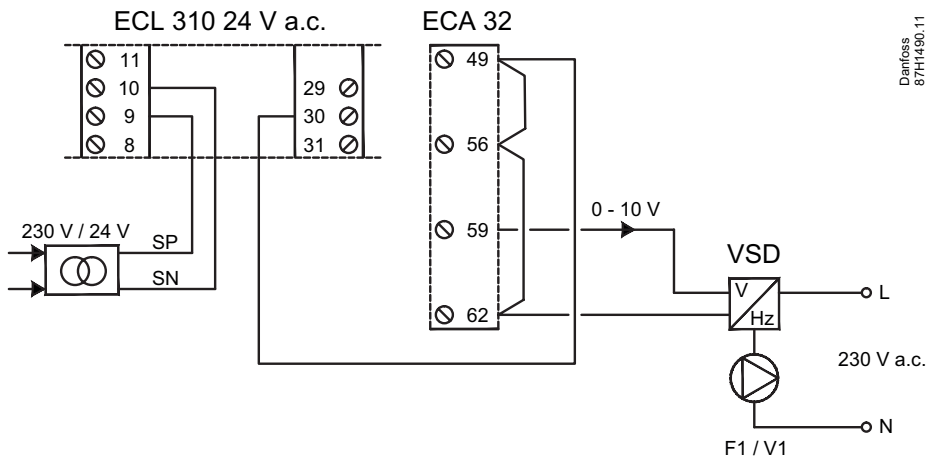
L - N: 230 V a.c. / SP - SN: 24 V a.c.

Example:



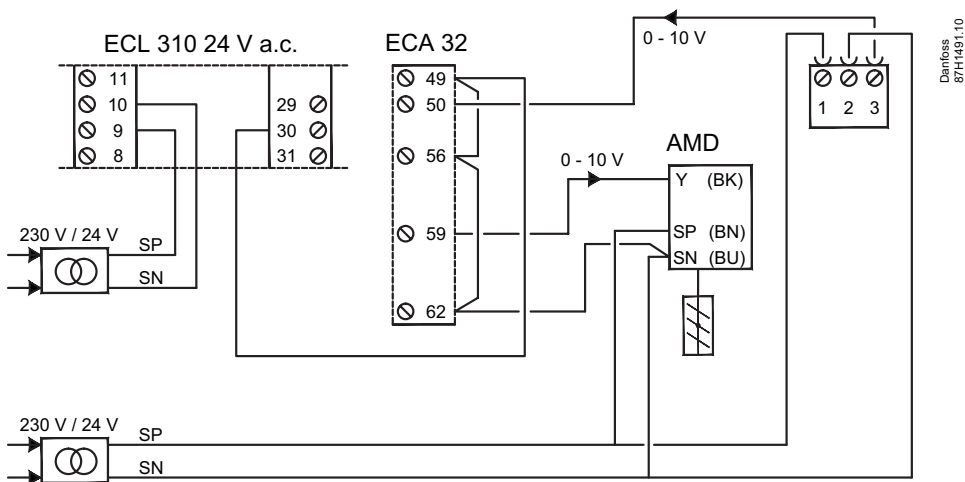
Danfoss
87H1489.11

Example:



Danfoss
87H1490.11

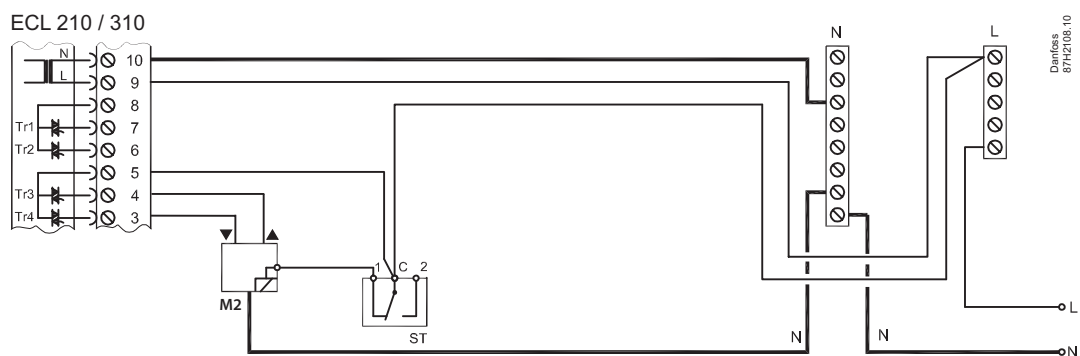
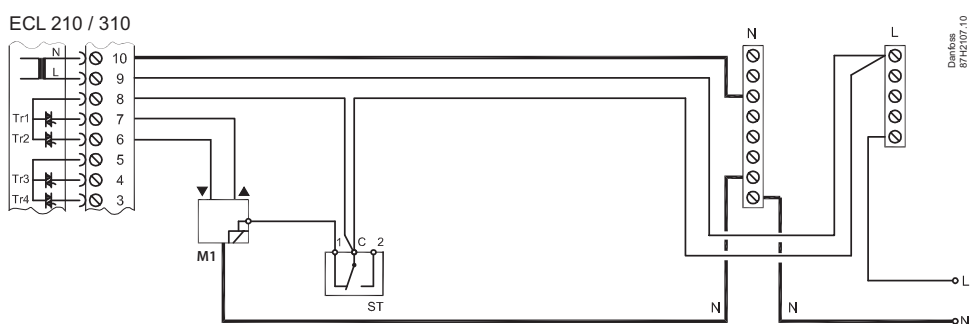
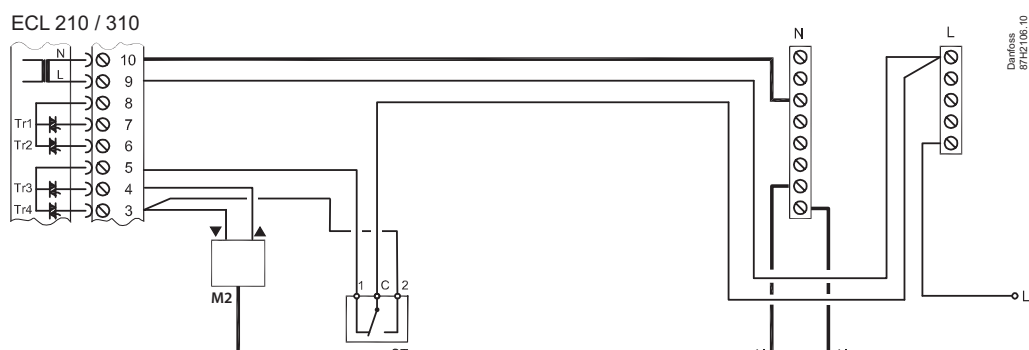
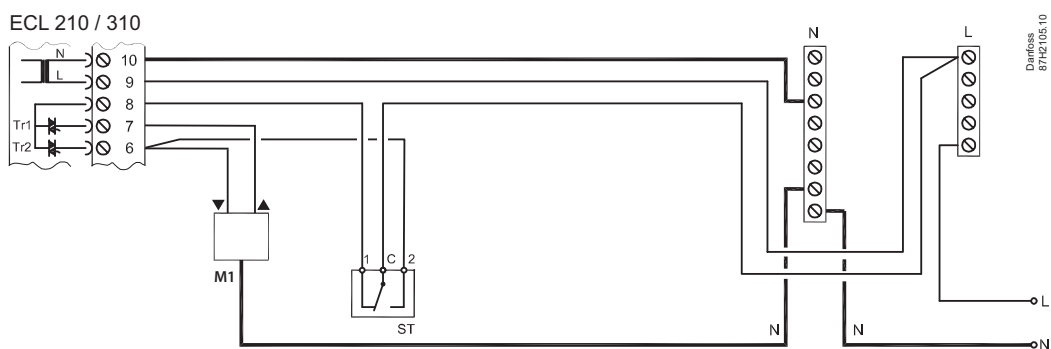
Example:



Danfoss
87H1491.10

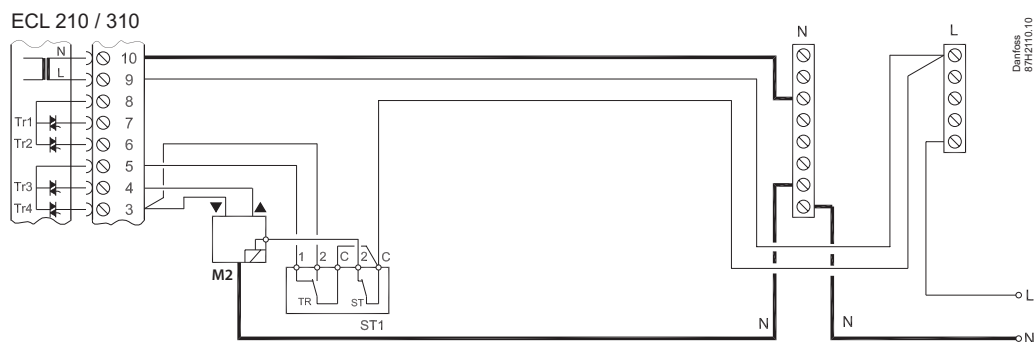
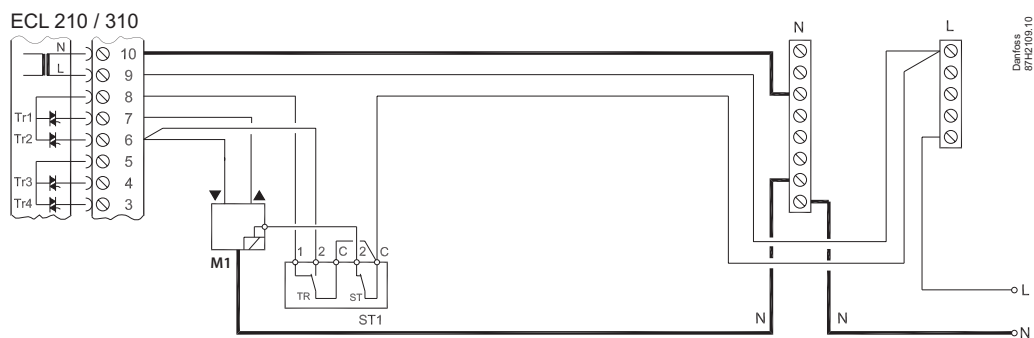
230 V a.c. / 24 V a.c. , safety thermostat

1-step closing



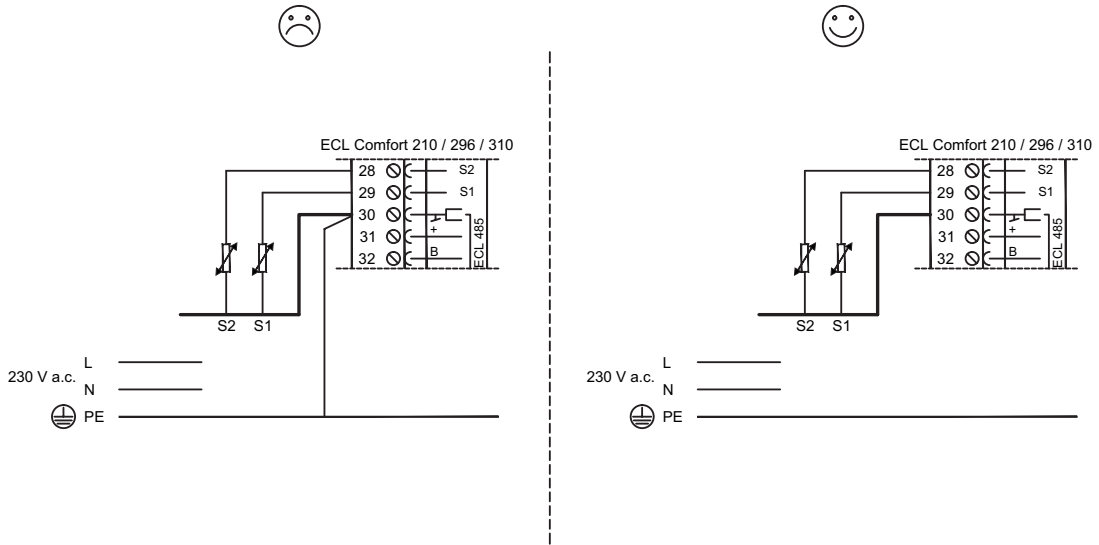
230 V a.c. / 24 V a.c. , safety thermostat

2-step closing

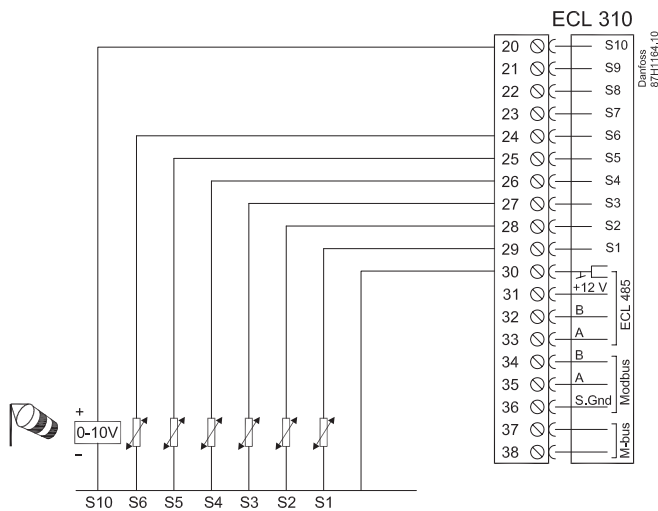
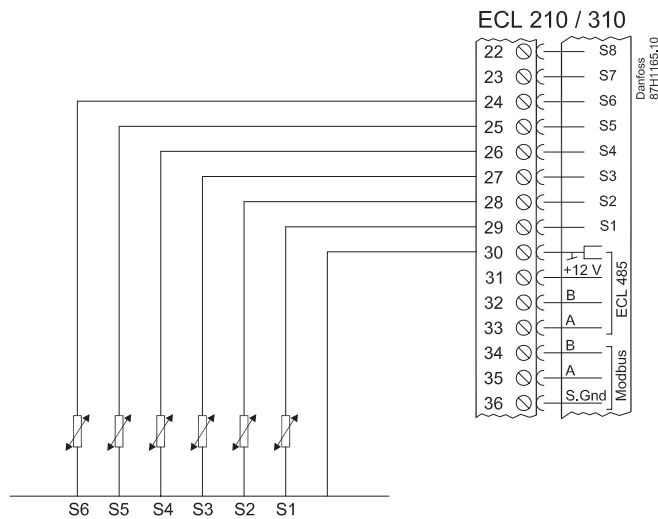


Installation Guide, ECL Comfort 210 / 296 / 310, A214 / A314

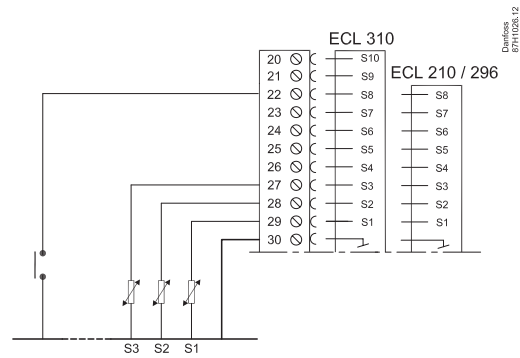
Pt 1000 (1000 Ω / 0 °C)



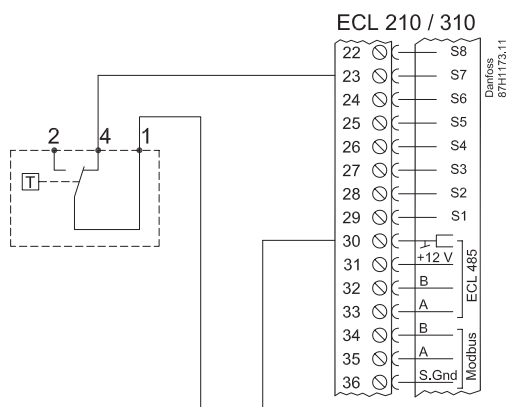
Danfoss
87H1487.11



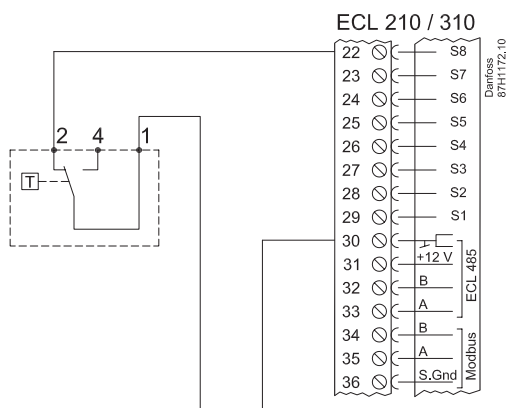
A214



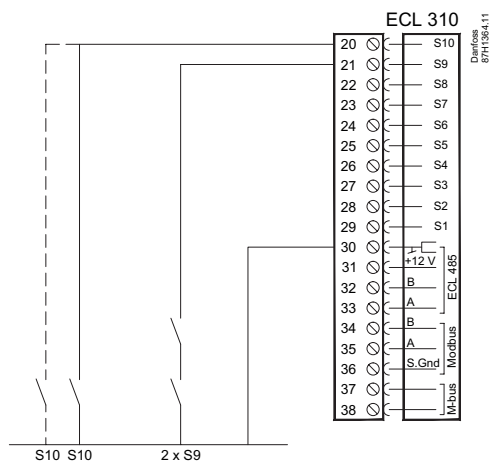
S7



S8

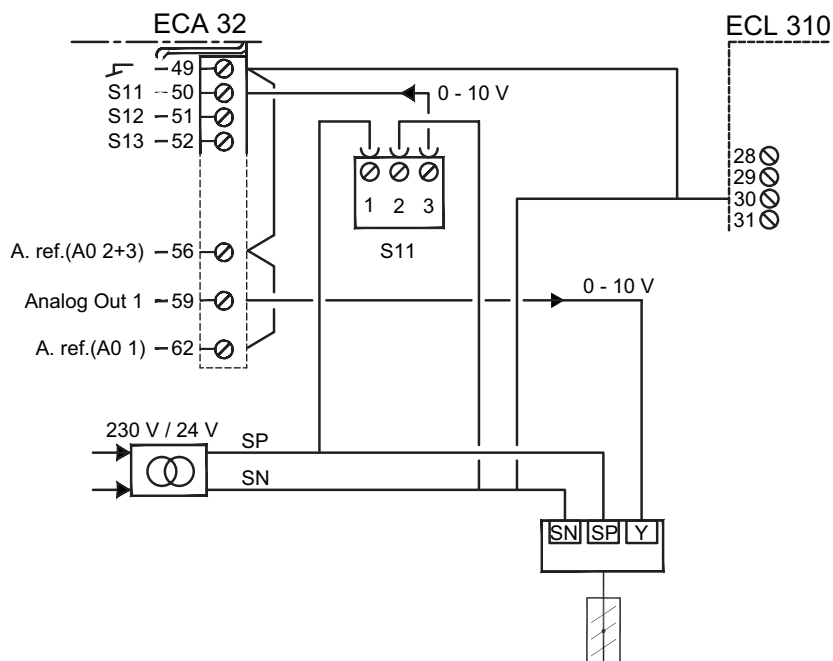


S9 / S10



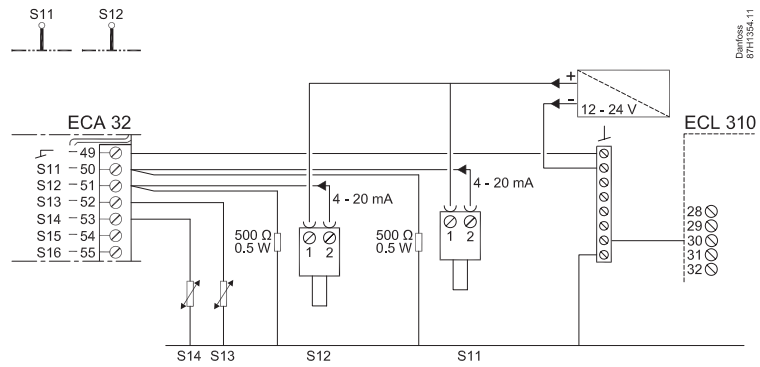
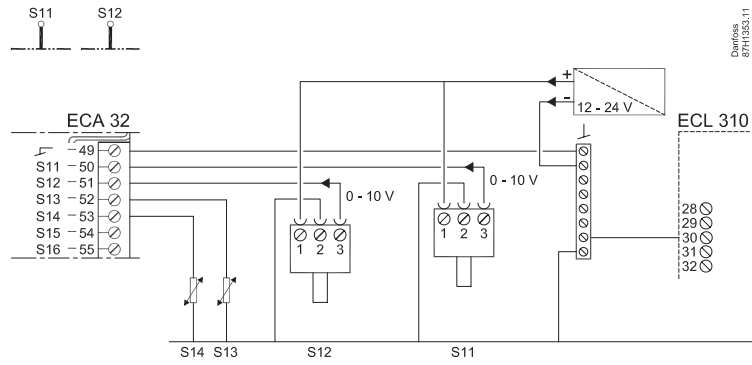
ECA 32

	S11	S12	S13	S14
A314.4	✓	✓	✓	✓
A314.5	✓		✓	✓
A314.6	✓	✓	✓	✓
A314.7	✓		✓	✓
A314.9	✓			

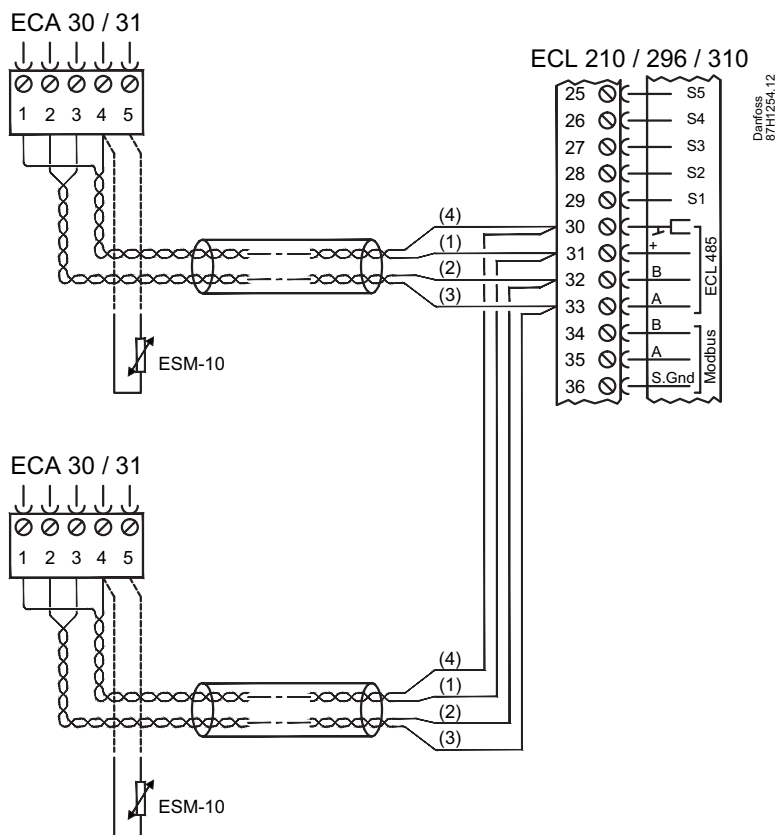
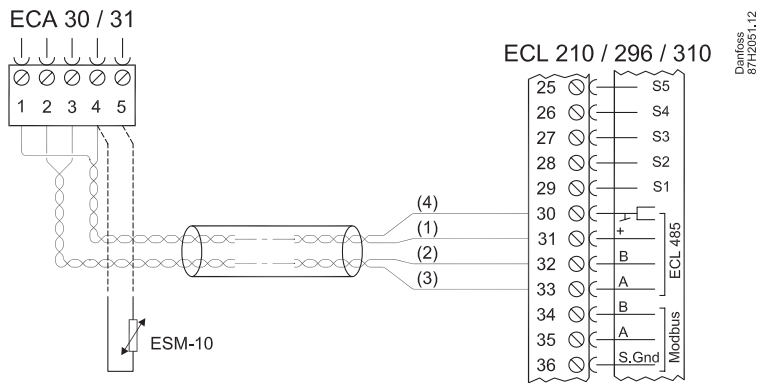


Danfoss
87H1560.10

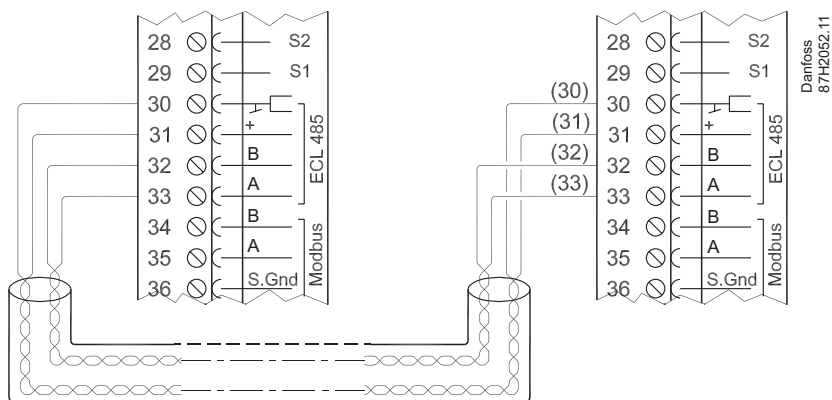
ECA 32



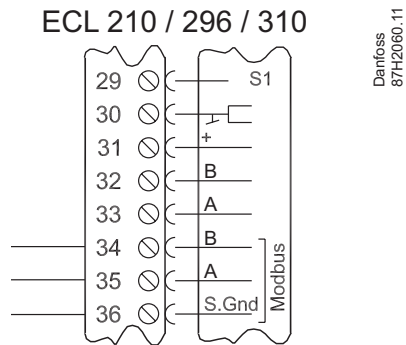
ECA 30 / 31



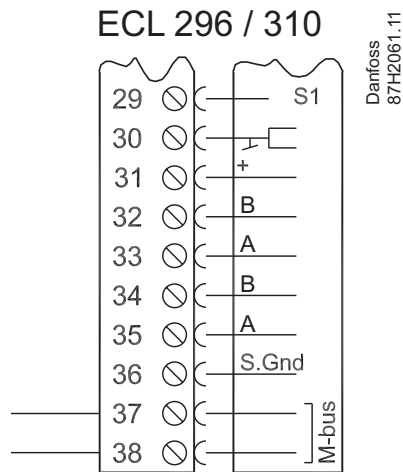
Master / slave



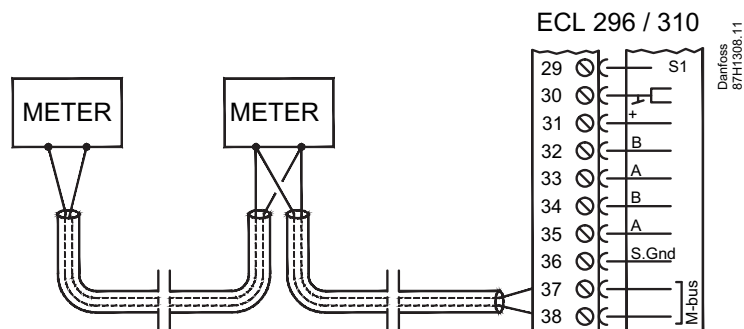
Modbus



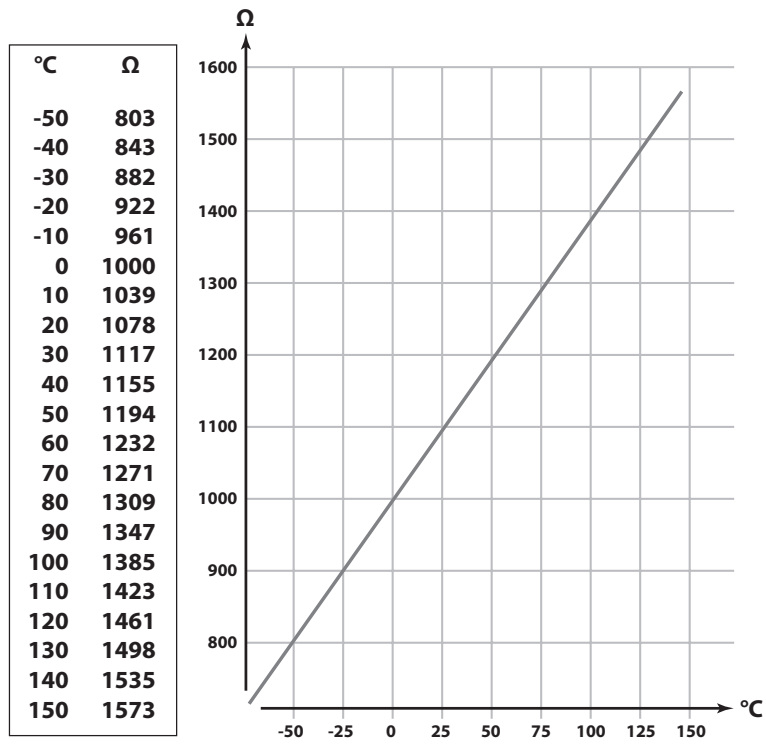
M-bus



M-bus

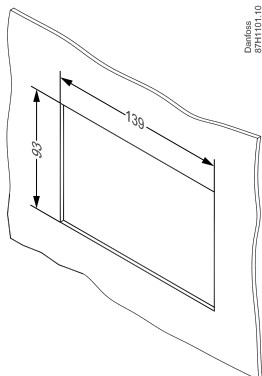


Pt 1000 (IEC 751B, 1000 Ω / 0 °C)



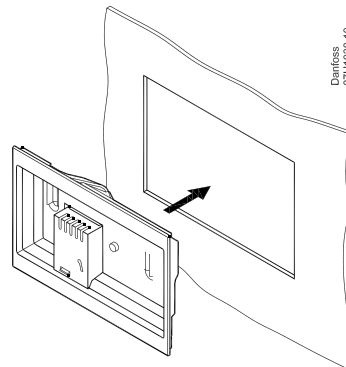
ECA 30

1



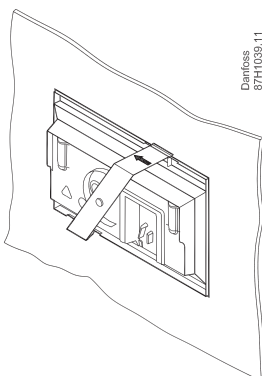
Danfoss
87H101.10

2



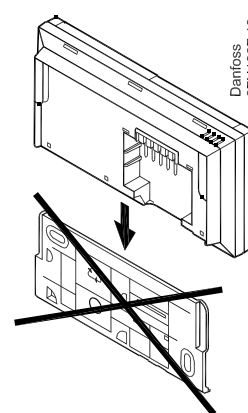
Danfoss
87H1038.10

3



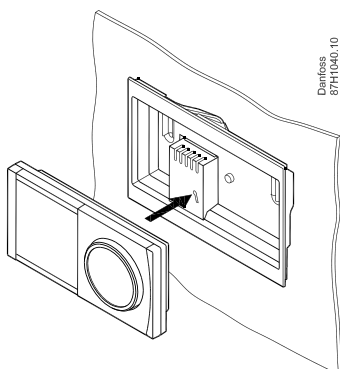
Danfoss
87H1039.11

4



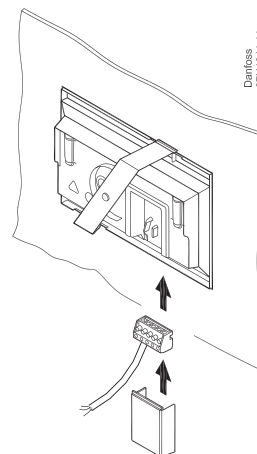
Danfoss
87H1037.10

5



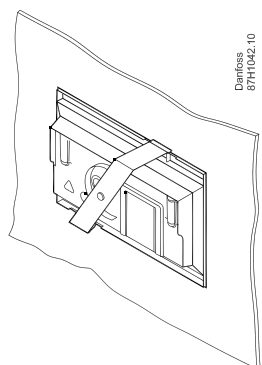
Danfoss
87H1040.10

6



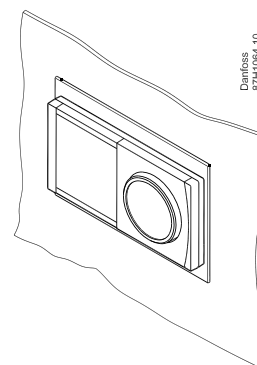
Danfoss
87H1041.11

7



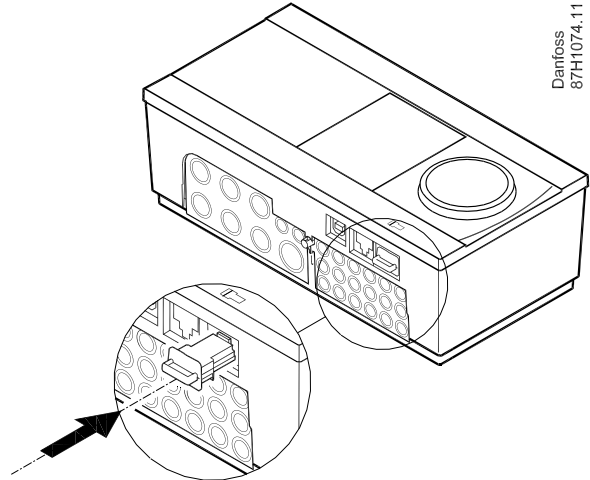
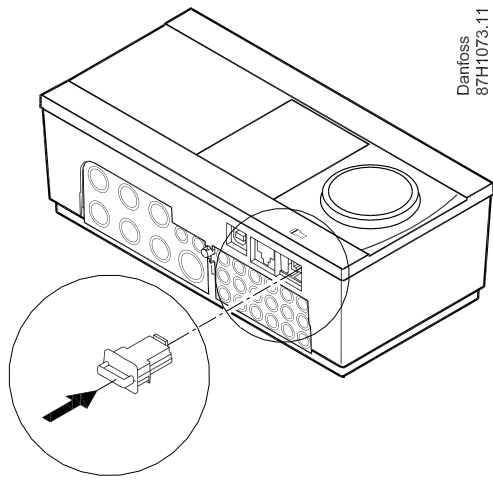
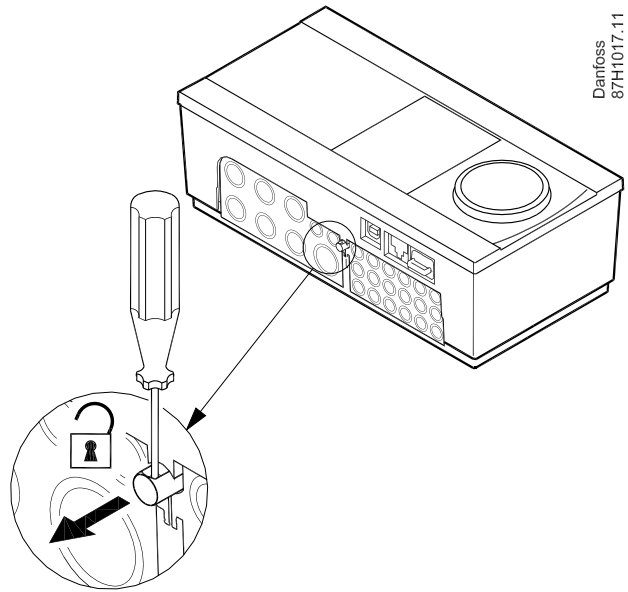
Danfoss
87H1042.10

8



Danfoss
87H1064.10

Installation Guide, ECL Comfort 210 / 296 / 310, A214 / A314



? **ECL Comfort 210 / 296 / 310, A214 / A314: www.heating.danfoss.com**



Danfoss A/S
Heating Segment • heating.danfoss.com • +45 7488 2222 • E-Mail: heating@danfoss.com

Danfoss can accept no responsibility for possible errors in catalogues, brochures and other printed material. Danfoss reserves the right to alter its products without notice. This also applies to products already on order provided that such alterations can be made without subsequential changes being necessary in specifications already agreed. All trademarks in this material are property of the respective companies. Danfoss and all Danfoss logotypes are trademarks of Danfoss A/S. All rights reserved.