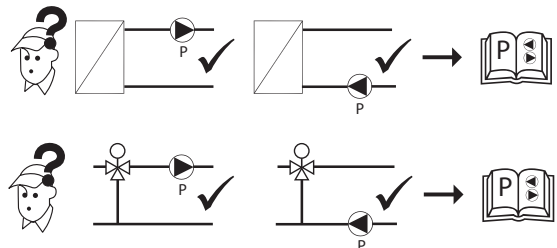
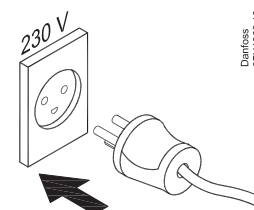
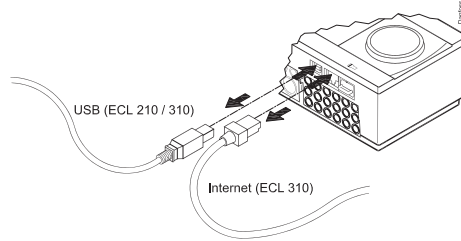
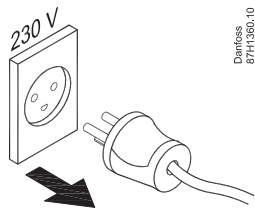
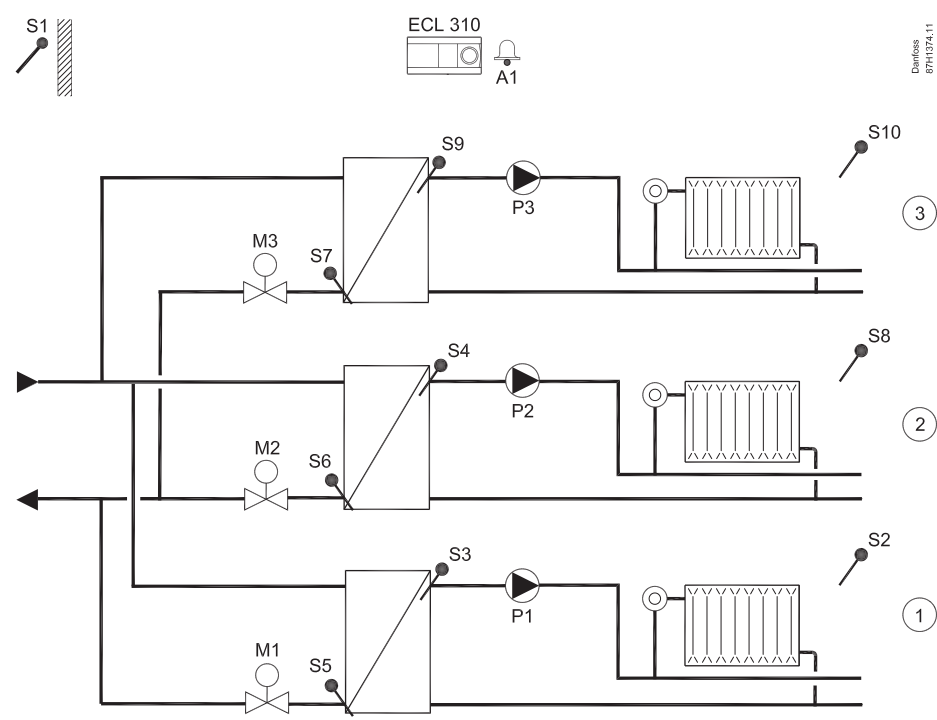


Installation Guide

ECL Comfort 310, A390 (code no. 087H3815, 087H3832)

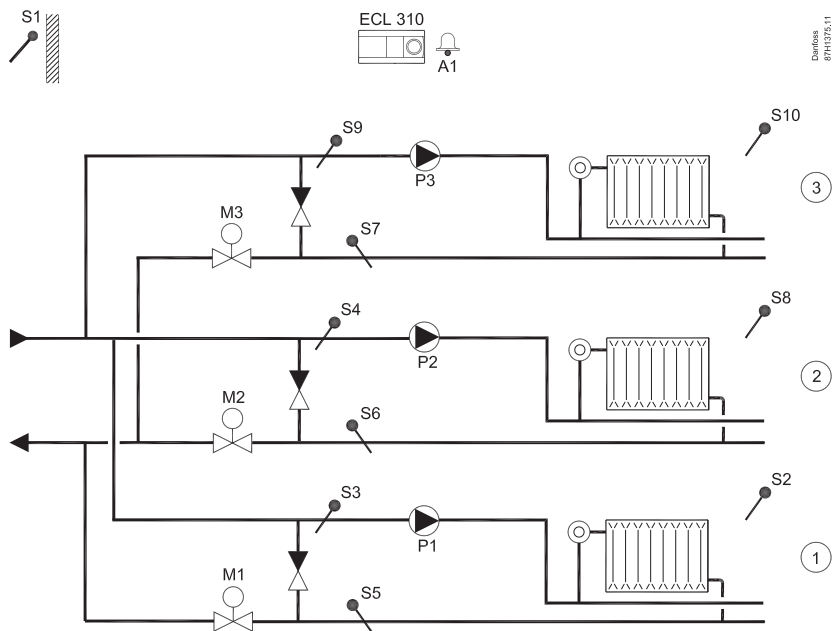


A390.1, ex. a:



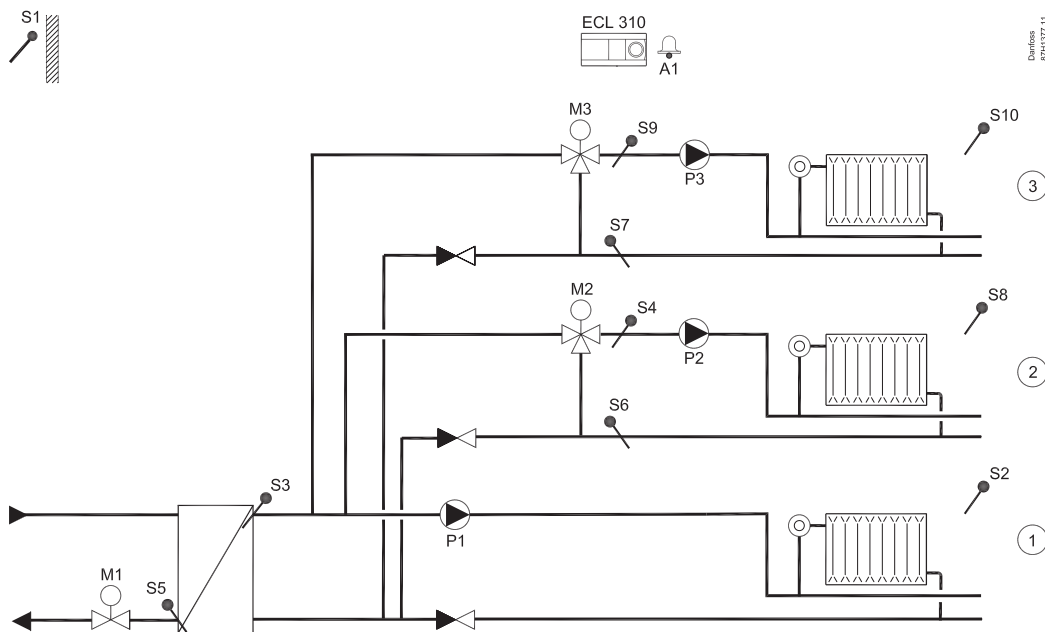
M1, M2, M3 = 3-point

A390.1, ex. b:



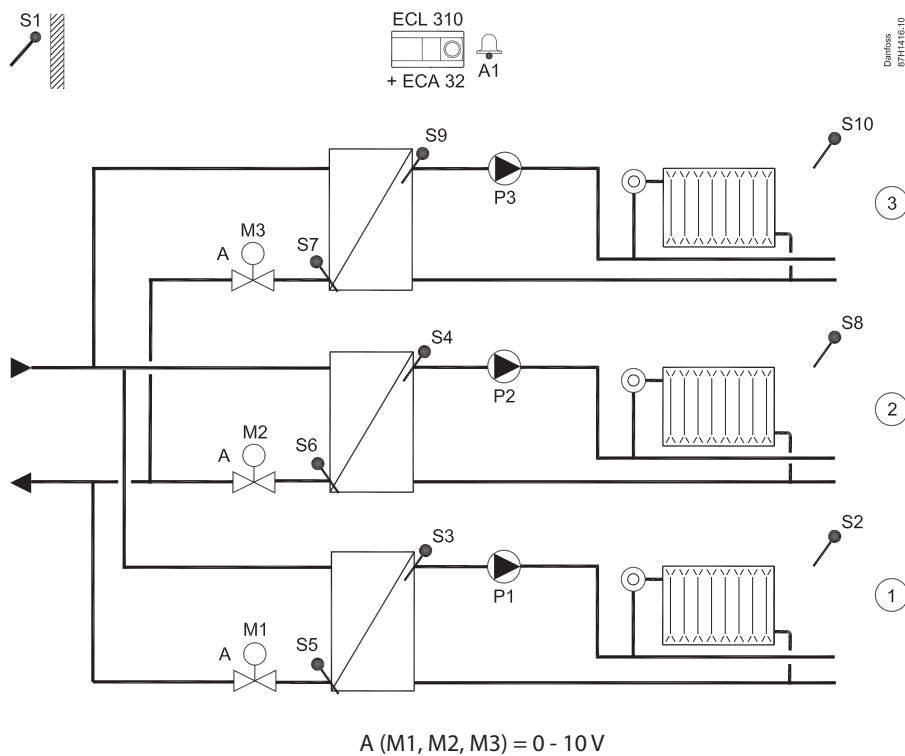
M1, M2, M3 = 3-point

A390.1, ex. c:

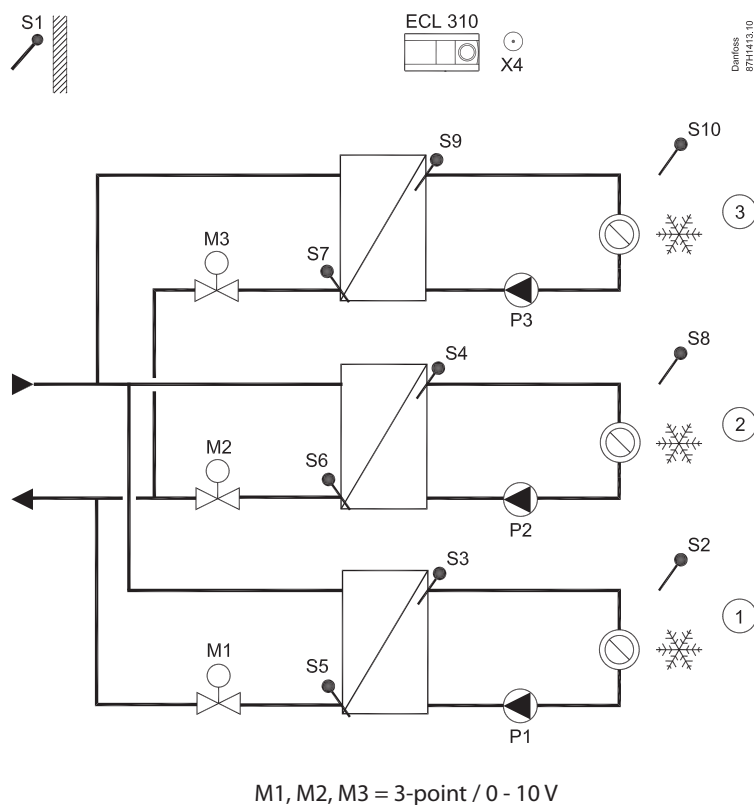


M1, M2, M3 = 3-point

A390.2, ex. a:

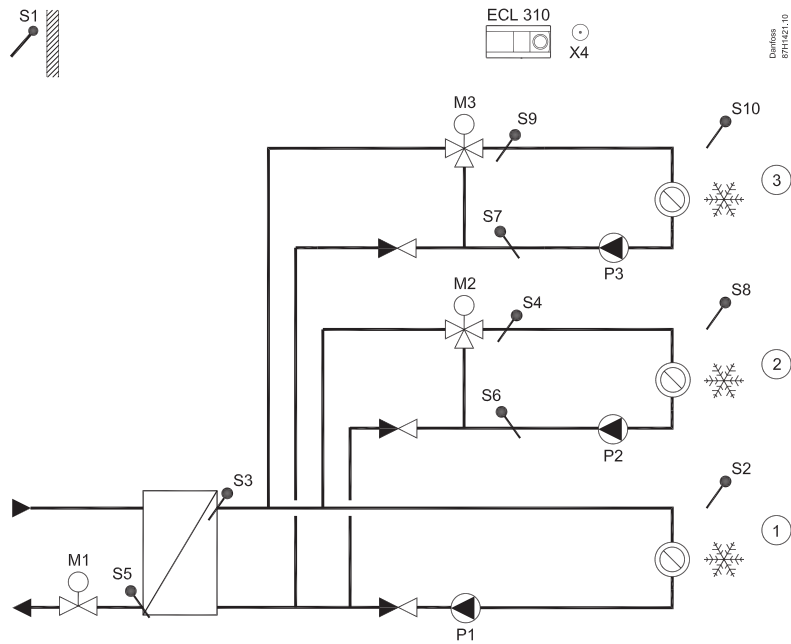


A390.3, ex. a:



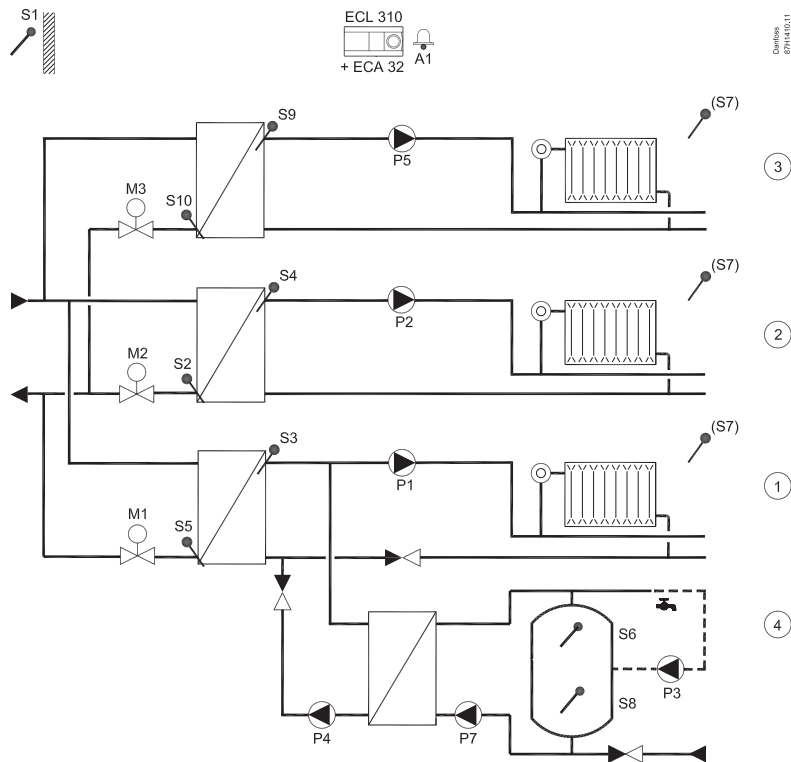
Installation Guide, ECL Comfort 310, A390

A390.3, ex. b:



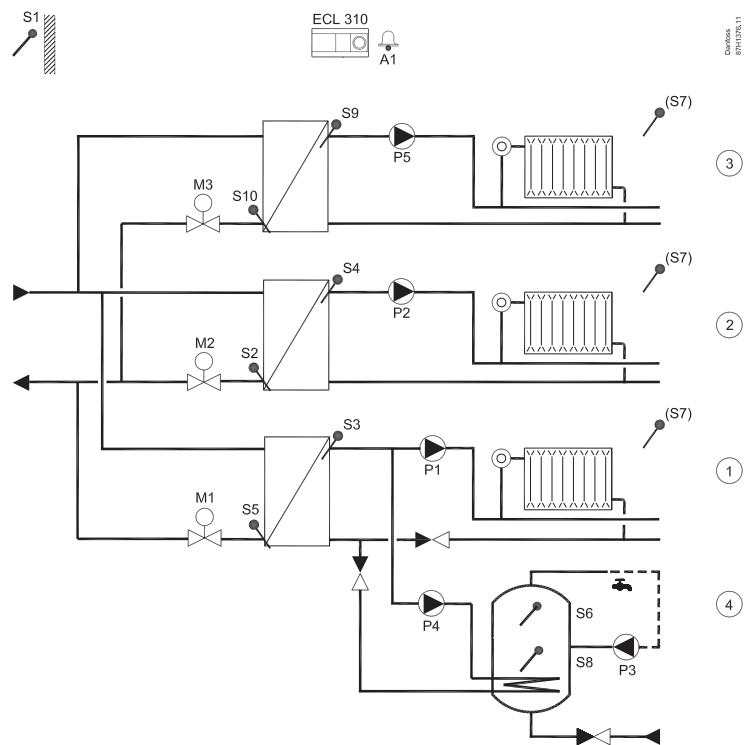
M1, M2, M3 = 3-point / 0 - 10 V

A390.11, ex. a:



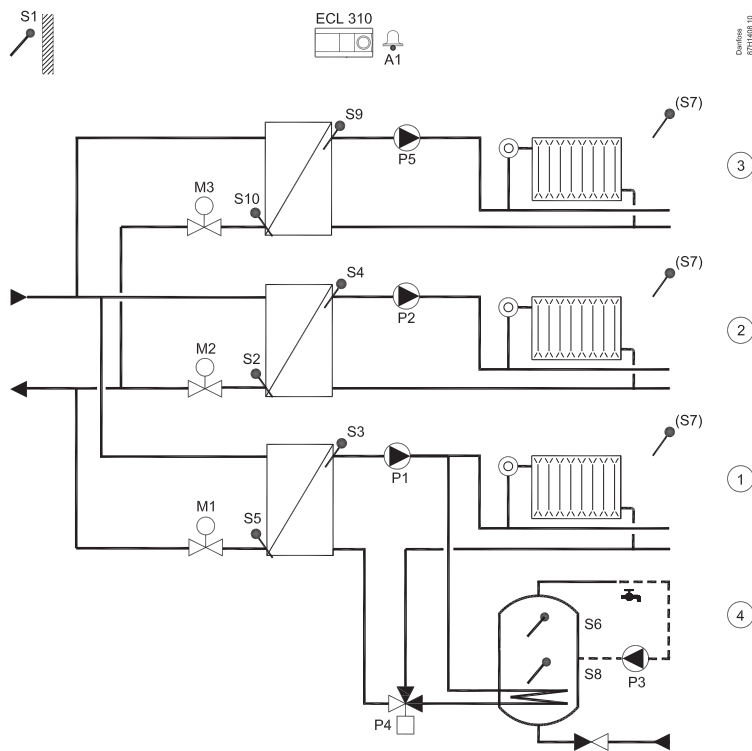
M1, M2, M3 = 3-point / 0 - 10 V

A390.11, ex. b:



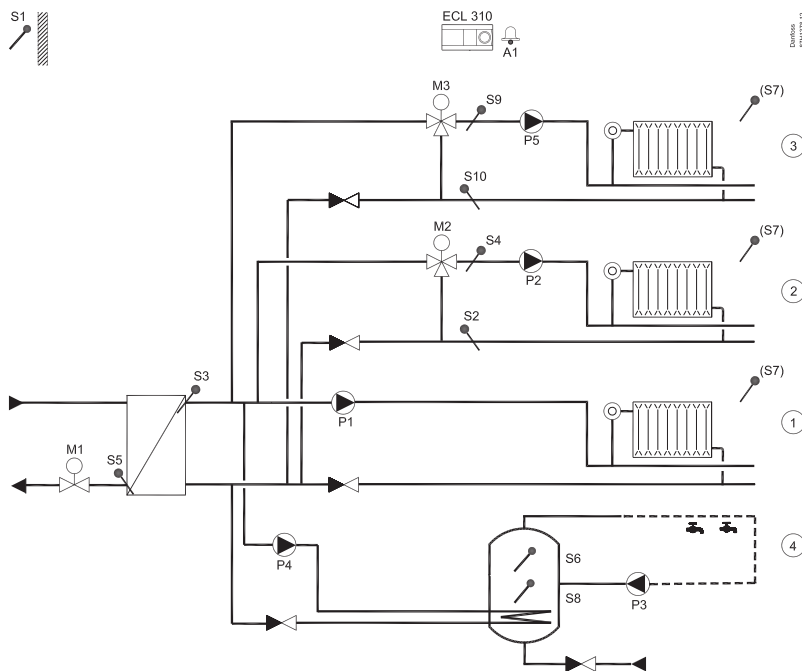
M1, M2, M3 = 3-point / 0 - 10 V

A390.11, ex. c:



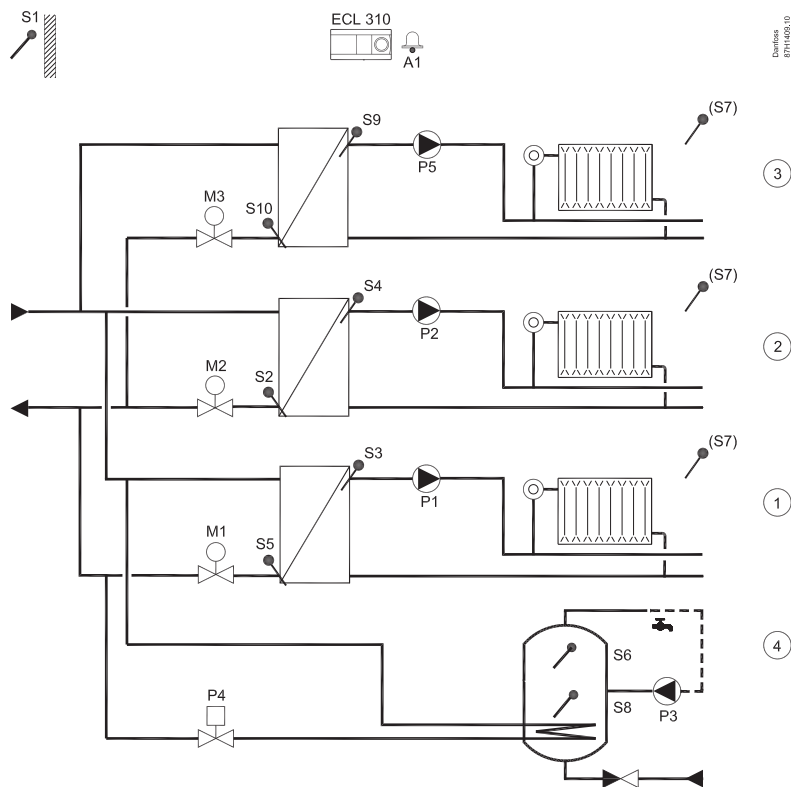
M1, M2, M3 = 3-point / 0 - 10 V

A390.11, ex. d:



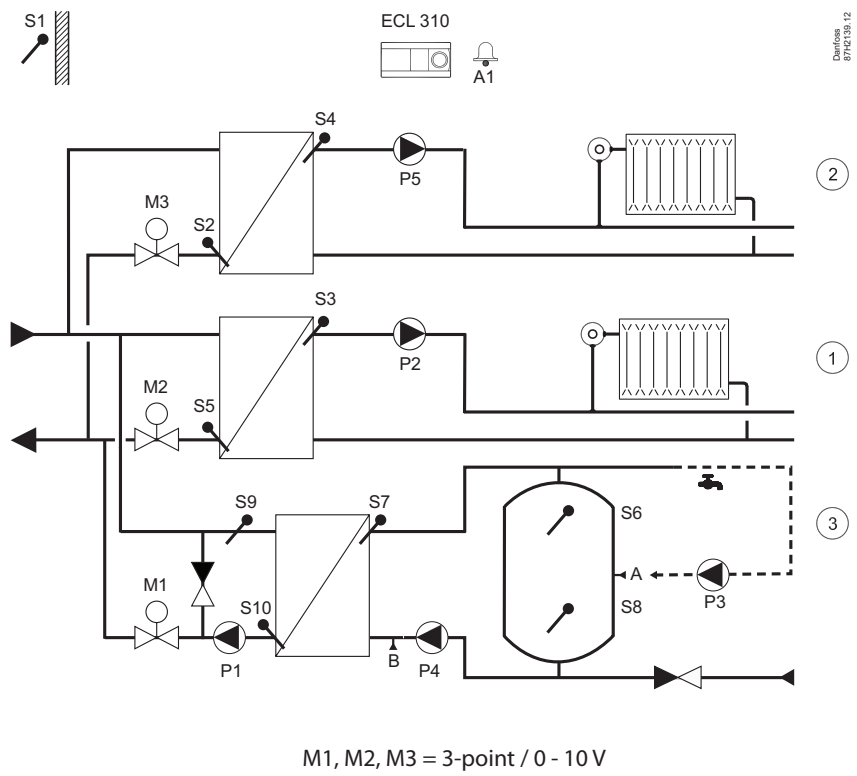
M1, M2, M3 = 3-point / 0 - 10 V

A390.11, ex. e:

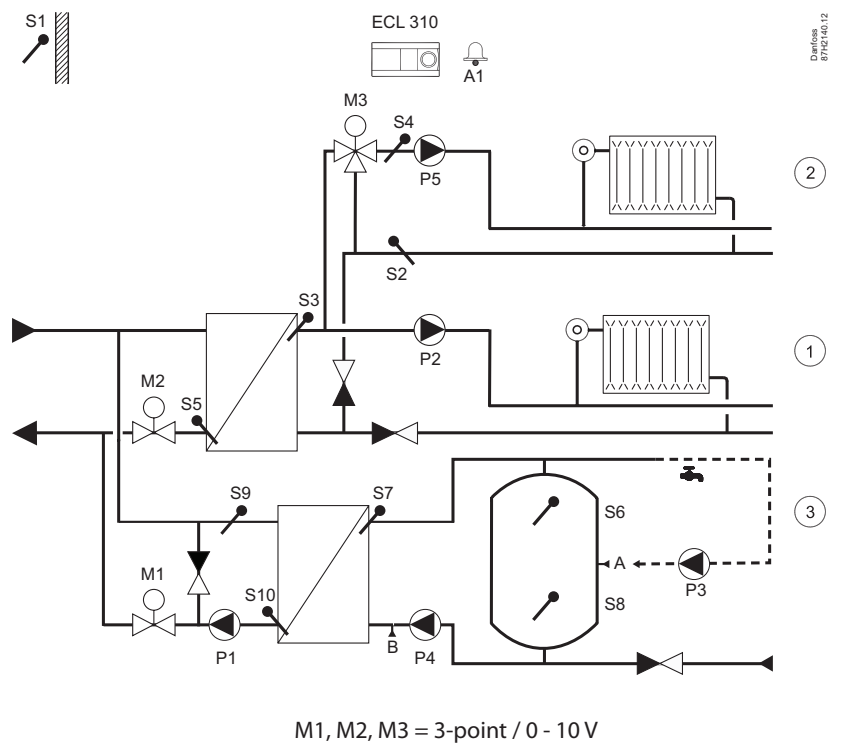


M1, M2, M3 = 3-point / 0 - 10 V

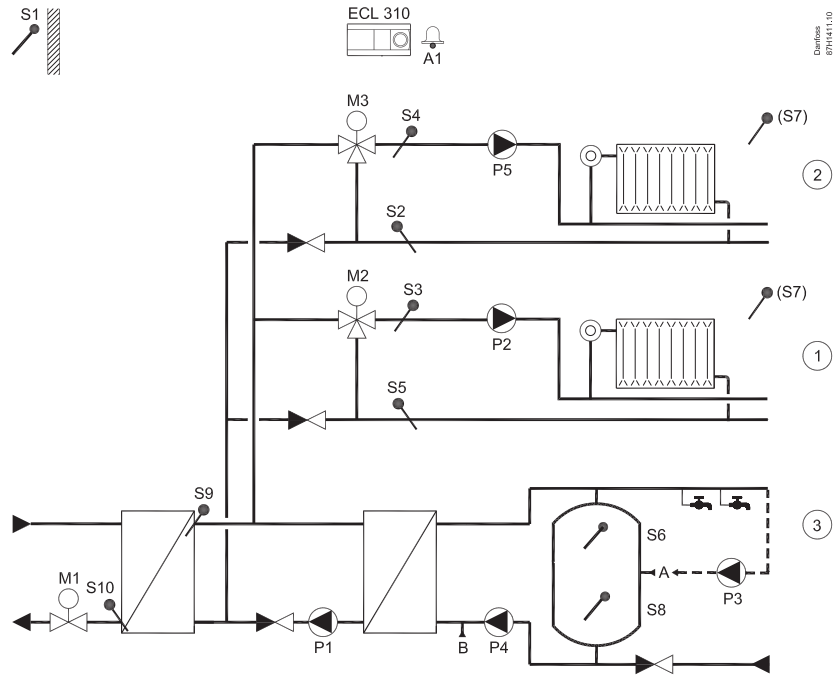
A390.12, ex. a:



A390.12, ex. b:

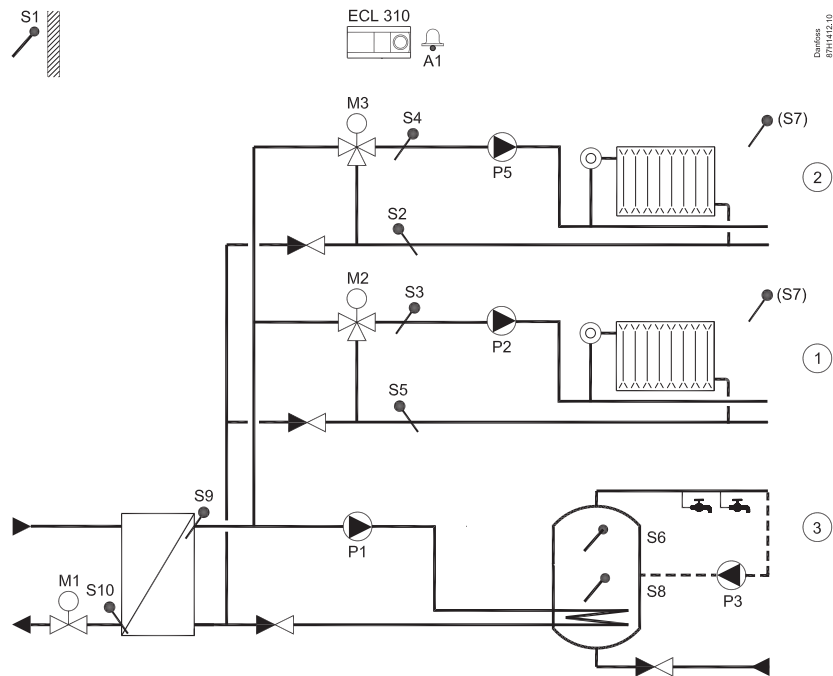


A390.13, ex. a:



M1, M2, M3 = 3-point / 0 - 10 V

A390.13, ex. b:

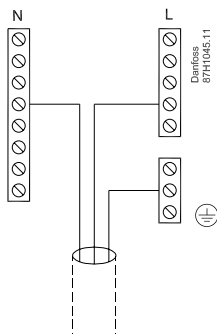


M1, M2, M3 = 3-point / 0 - 10 V

Installation Guide, ECL Comfort 310, A390

ECL Comfort 310: 230 V a.c.

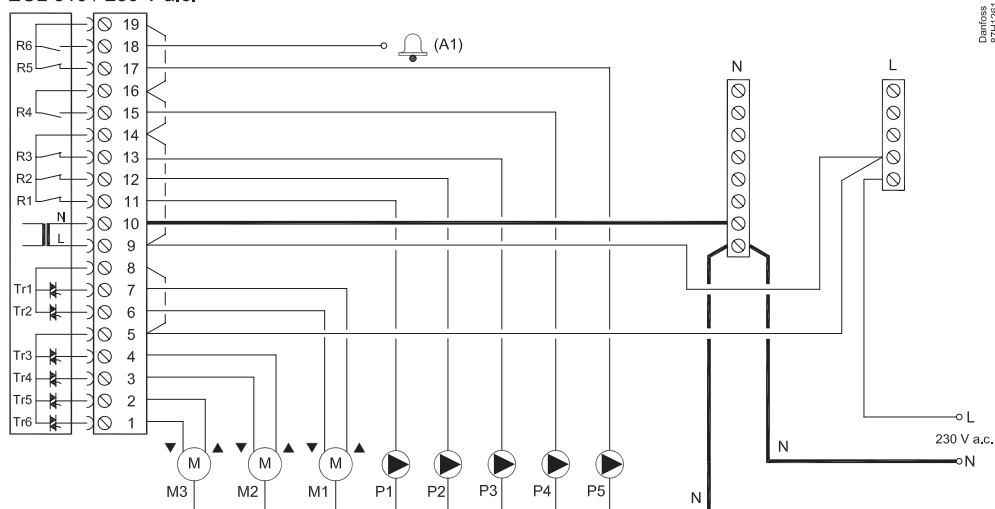
R		4 (2) A / 230 V a.c.
R		
Tr		0,2 A / 230 V a.c.



230 V a.c., A390 (ECL 310)

	M1	M2	M3		R1	R2	R3	R4	R5	R6
A390.1	✓	✓	✓		P1	P2	P3			A1
A390.2					P1	P2	P3			A1
A390.3	✓	✓	✓		P1	P2	P3	X4		
A390.11	✓	✓	✓		P1	P2	P3	P4	P5	A1
A390.12	✓	✓	✓		P1	P2	P3	P4	P5	A1
A390.13	✓	✓	✓		P1	P2	P3	P4	P5	A1

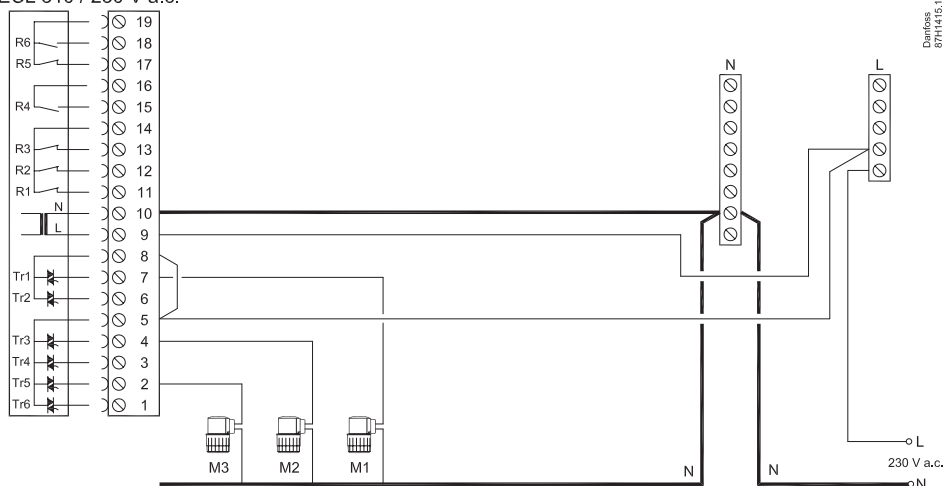
ECL 310 / 230 V a.c.



230 V a.c., A390 (ECL 310) Danfoss ABV

	Danfoss type ABV:		
	M1	M2	M3
A390.1	✓	✓	✓
A390.2			
A390.3	✓	✓	✓
A390.11	✓	✓	✓
A390.12		✓	✓
A390.13		✓	✓

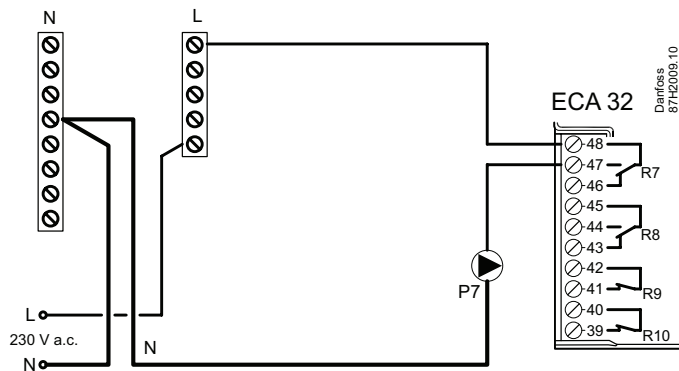
ECL 310 / 230 V a.c.



Danfoss
87H1415.10

A390, ECA 32

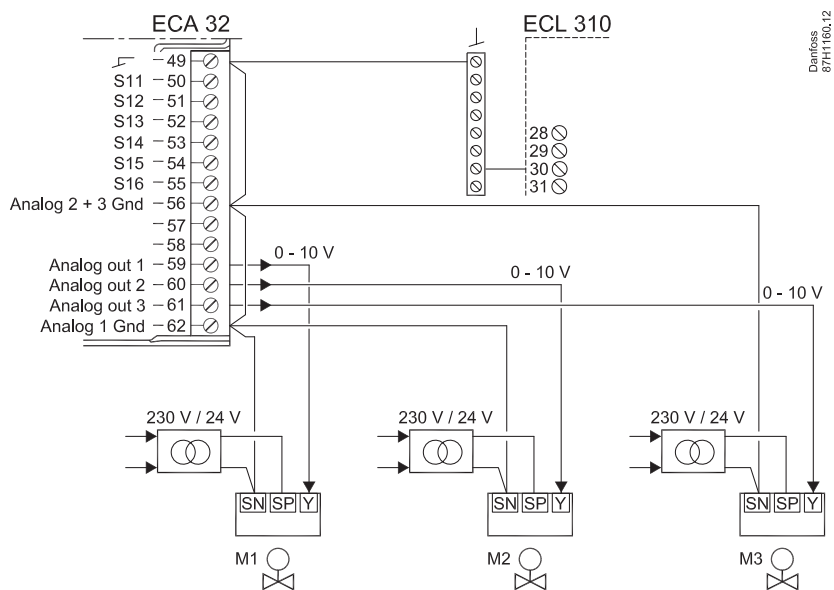
	P7
A390.1	
A390.2	
A390.3	
A390.11	✓
A390.12	
A390.13	



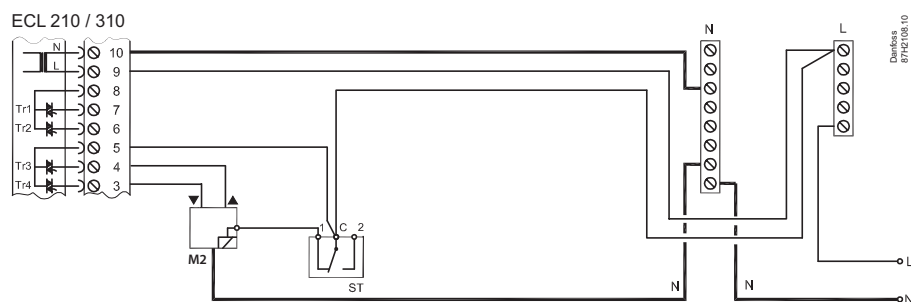
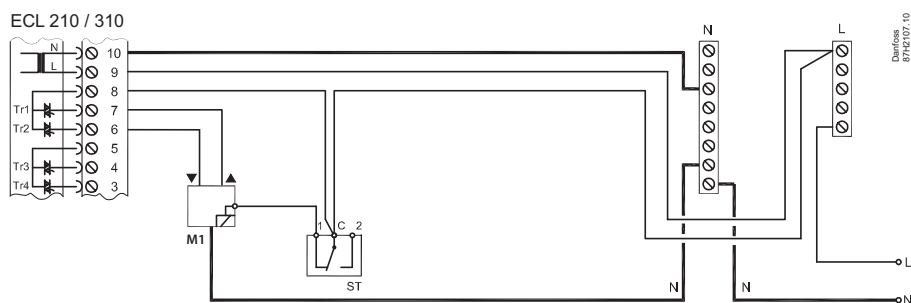
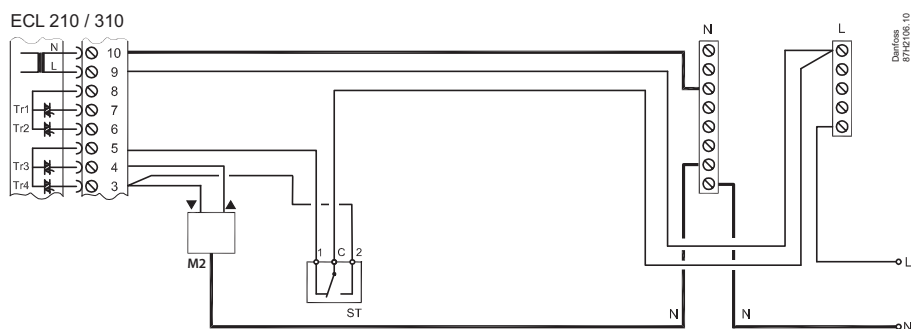
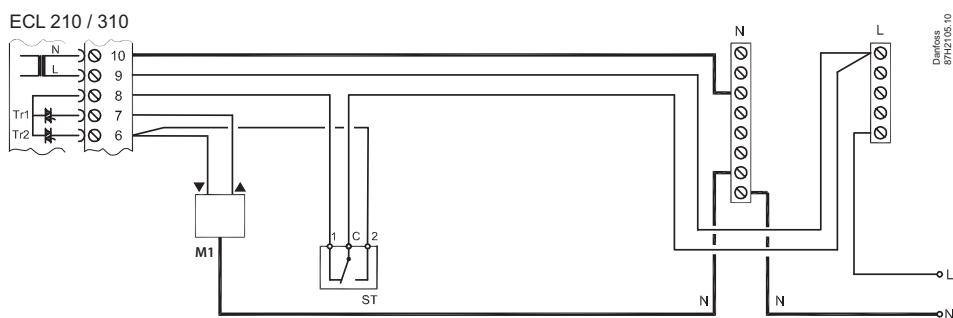
Danfoss
87H2009.10

A390, ECA 32

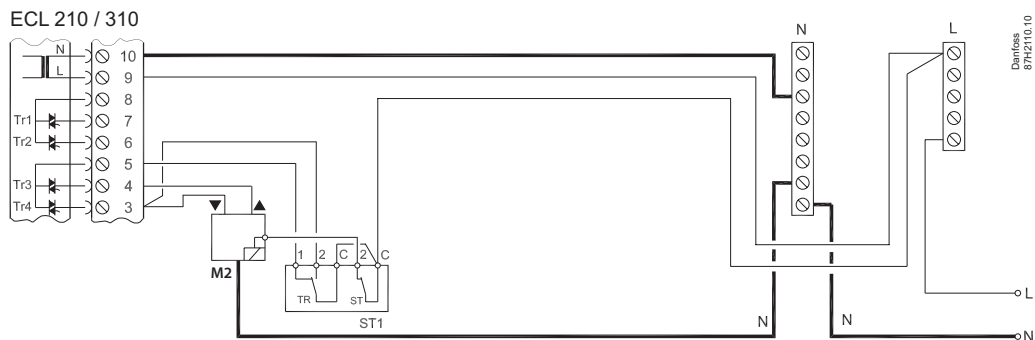
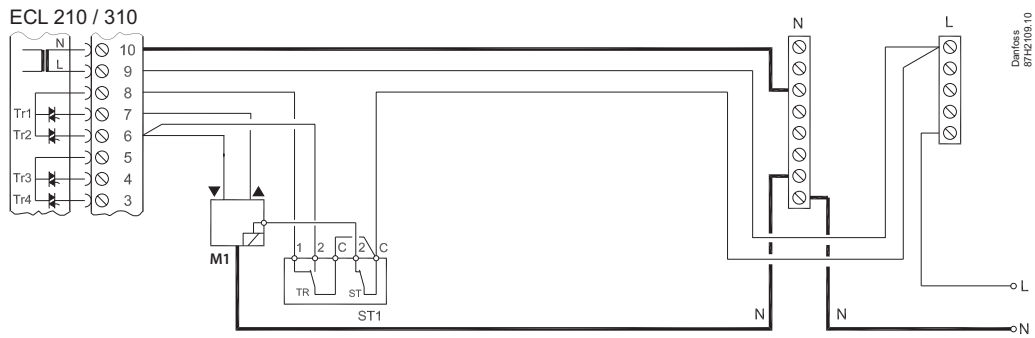
	0 - 10 V:		
	M1	M2	M3
A390.1			
A390.2	✓	✓	✓
A390.3	✓	✓	✓
A390.11	✓	✓	✓
A390.12	✓	✓	✓
A390.13	✓	✓	✓



230 V a.c. / 24 V a.c. safety thermostat
1-step closing



230 V a.c. / 24 V a.c. safety thermostat
2-step closing



Installation Guide, ECL Comfort 310, A390

ECL Comfort 310:

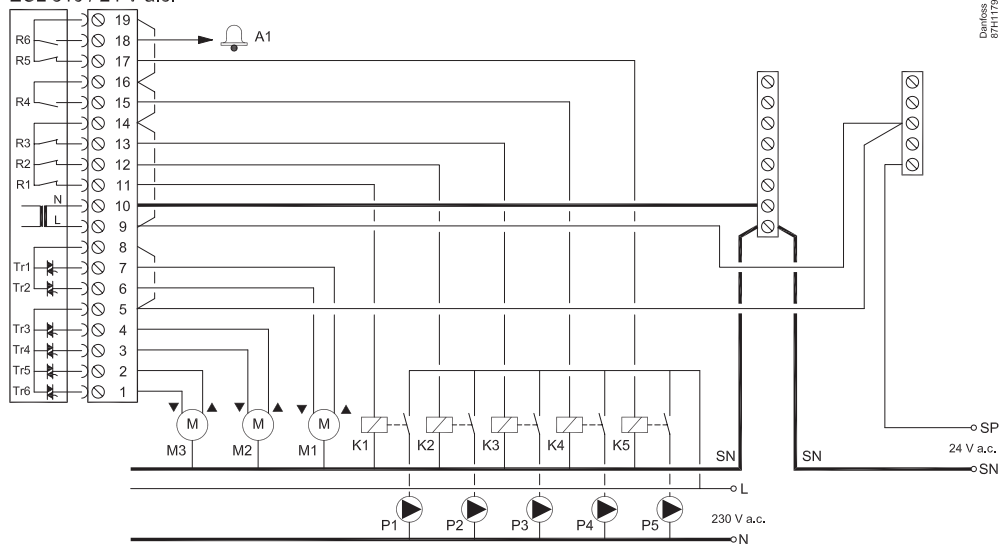
24 V a.c.

R		4 (2) A / 24 V a.c.
Tr		1 A / 24 V a.c.

24 V a.c., A390 (ECL 310)

	M1	M2	M3		R1	R2	R3	R4	R5	R6
A390.1	✓	✓	✓		P1	P2	P3			A1
A390.2					P1	P2	P3			A1
A390.3	✓	✓	✓		P1	P2	P3	X4		
A390.11	✓	✓	✓		P1	P2	P3	P4	P5	A1
A390.12	✓	✓	✓		P1	P2	P3	P4	P5	A1
A390.13	✓	✓	✓		P1	P2	P3	P4	P5	A1

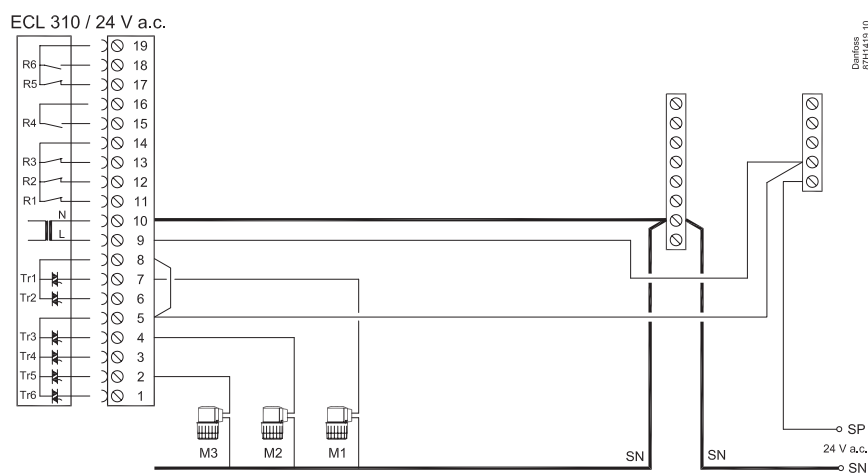
ECL 310 / 24 V a.c.



Danfoss
87H179.11

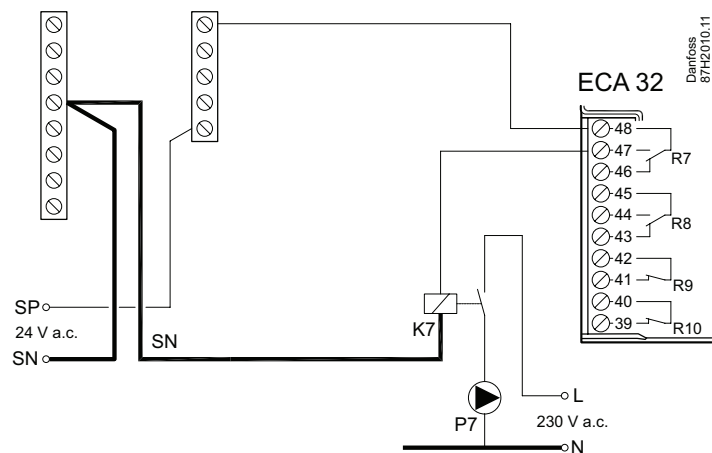
24 V a.c., A390 (ECL 310) Danfoss ABV

	Danfoss type ABV:		
	M1	M2	M3
A390.1	✓	✓	✓
A390.2			
A390.3	✓	✓	✓
A390.11	✓	✓	✓
A390.12		✓	✓
A390.13		✓	✓



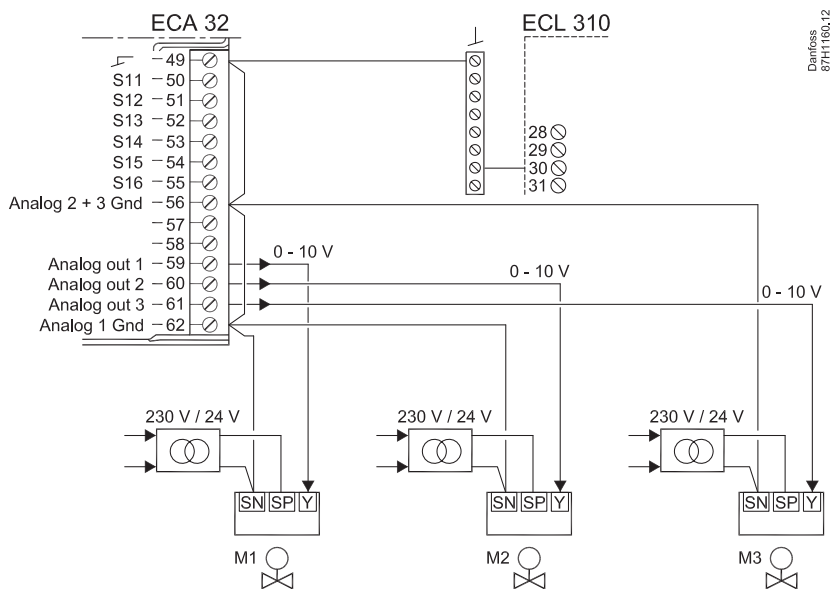
24 V a.c., A390, ECA 32

	P7
A390.1	
A390.2	
A390.3	
A390.11	✓
A390.12	
A390.13	



A390, ECA 32

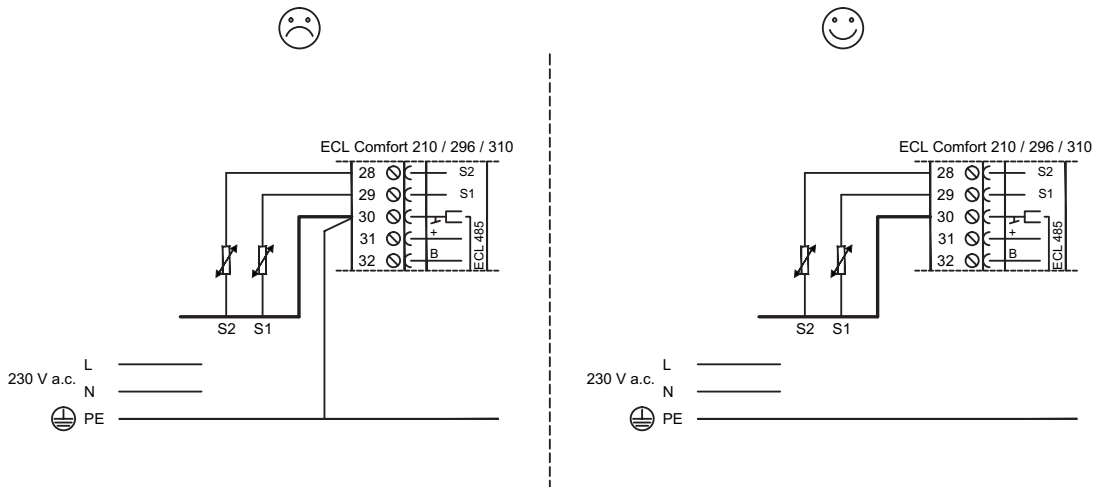
	0 - 10 V:		
	M1	M2	M3
A390.1			
A390.2	✓	✓	✓
A390.3	✓	✓	✓
A390.11	✓	✓	✓
A390.12	✓	✓	✓
A390.13	✓	✓	✓



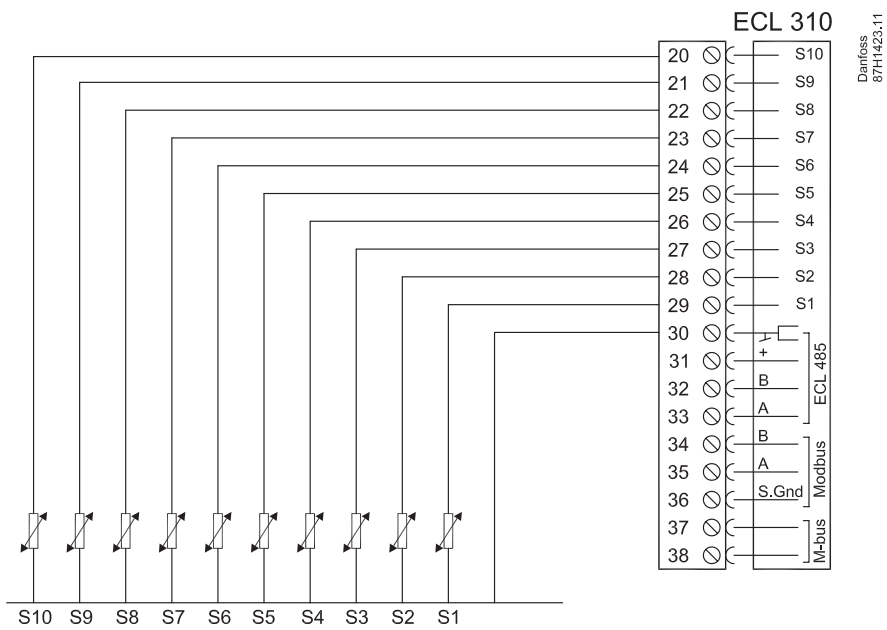
Installation Guide, ECL Comfort 310, A390

A390 (ECL 310)

Pt 1000 (1000 Ω / 0 °C)

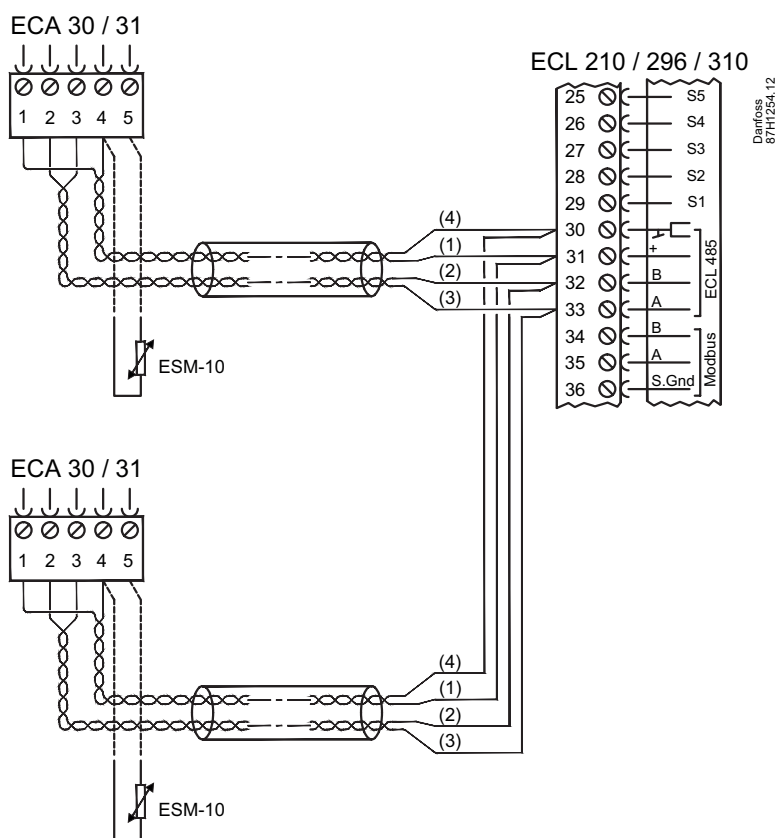
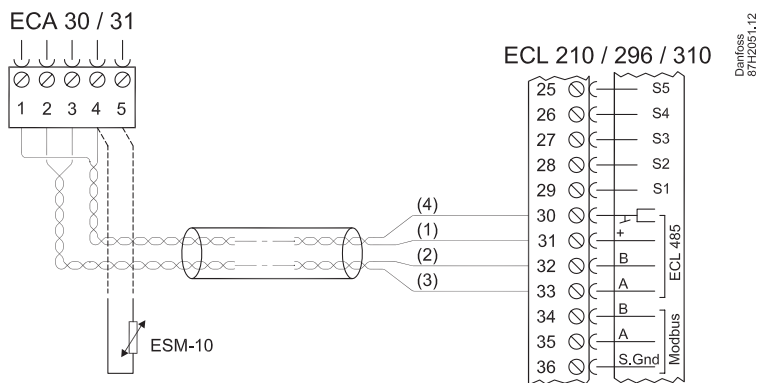


Danfoss
87H1487.11

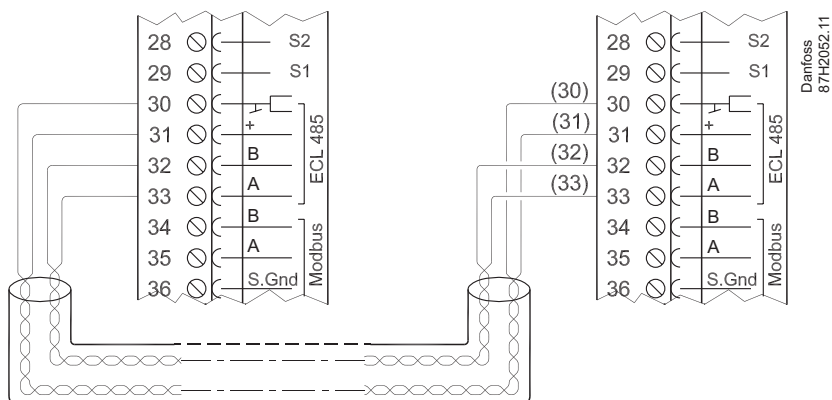


Danfoss
87H1423.11

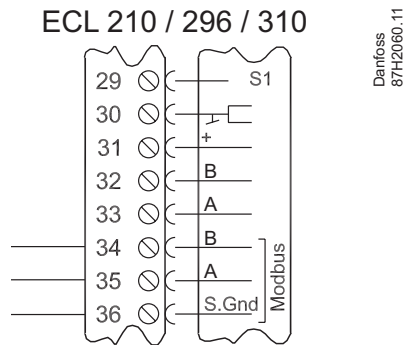
ECA 30 / 31



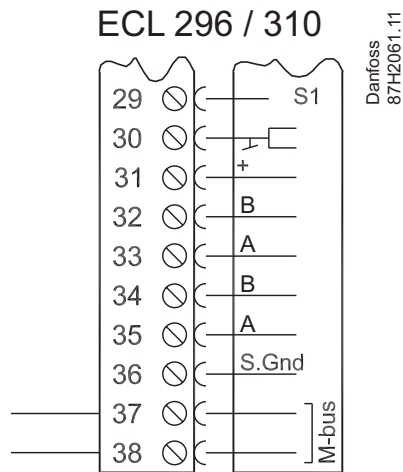
Master / slave



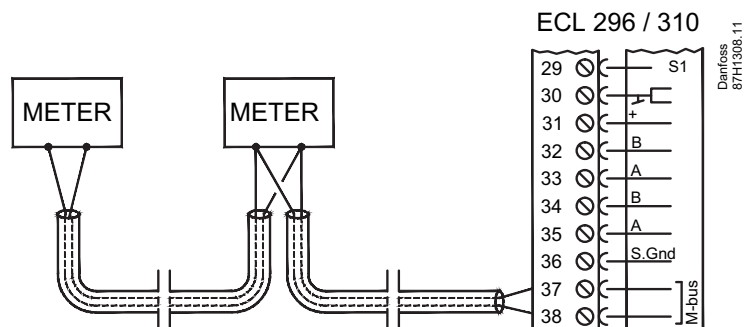
Modbus



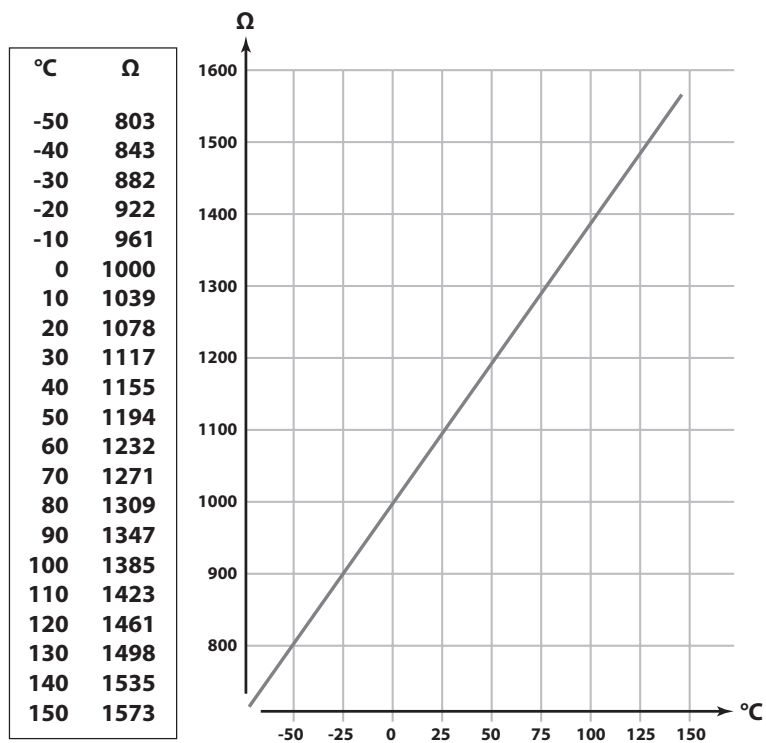
M-bus



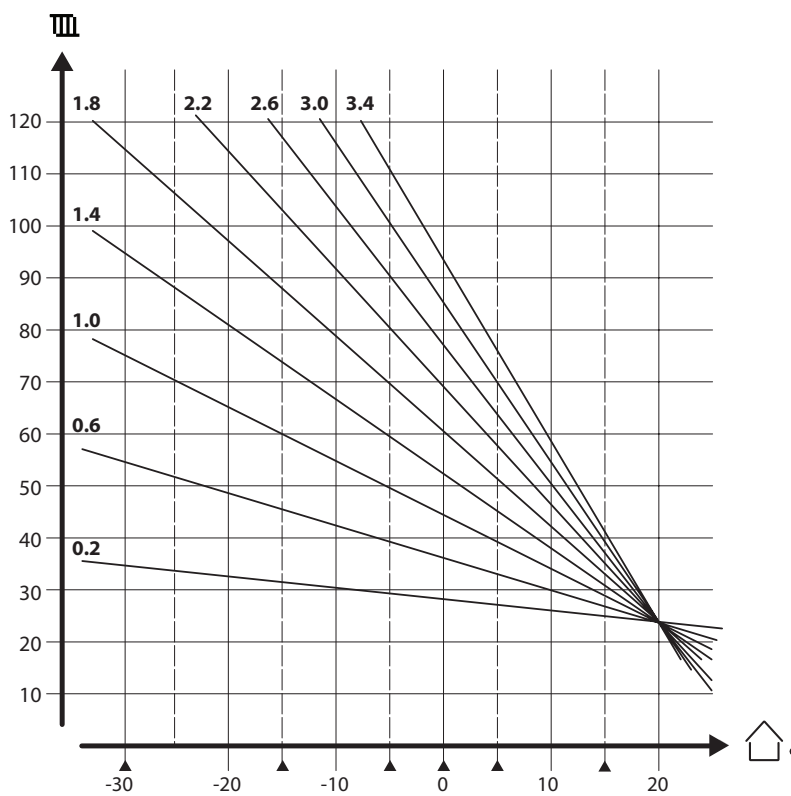
M-bus



Pt 1000 (IEC 751B, 1000 Ω / 0 $^{\circ}\text{C}$)



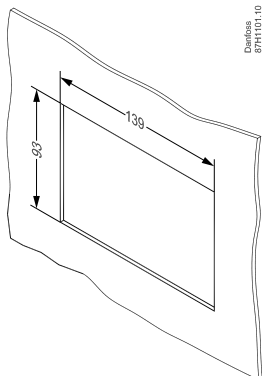
Heat curves



Installation Guide, ECL Comfort 310, A390

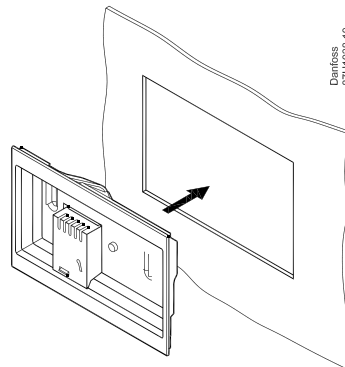
ECA 30

1



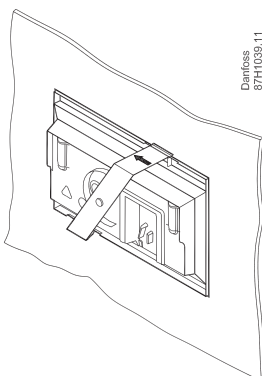
Danfoss
87H101.10

2



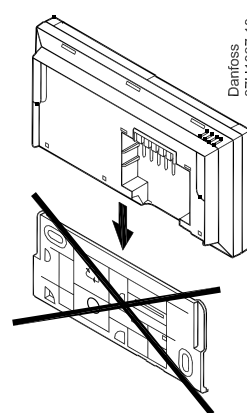
Danfoss
87H1038.10

3



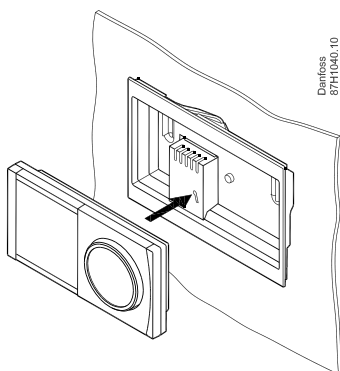
Danfoss
87H1039.11

4



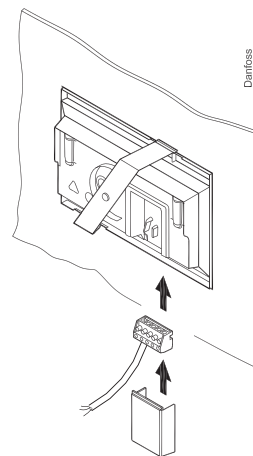
Danfoss
87H1037.10

5



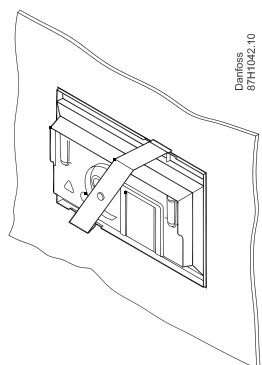
Danfoss
87H1040.10

6



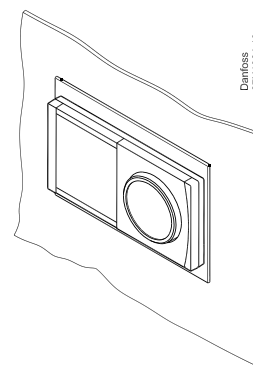
Danfoss
87H1041.11

7



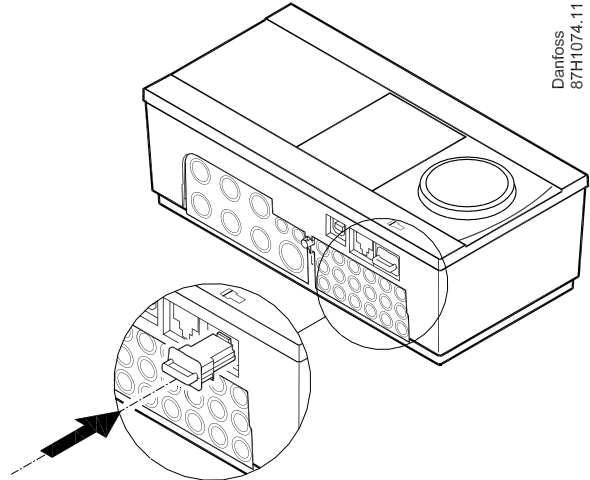
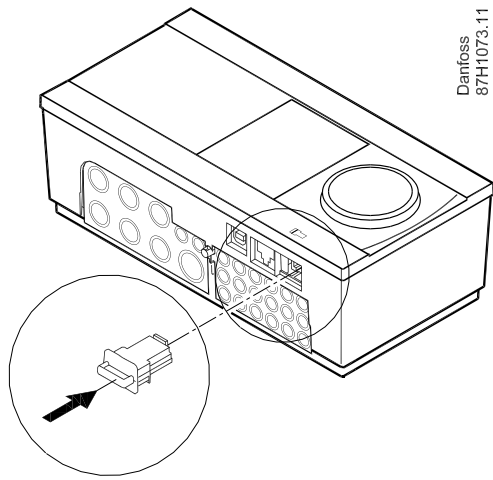
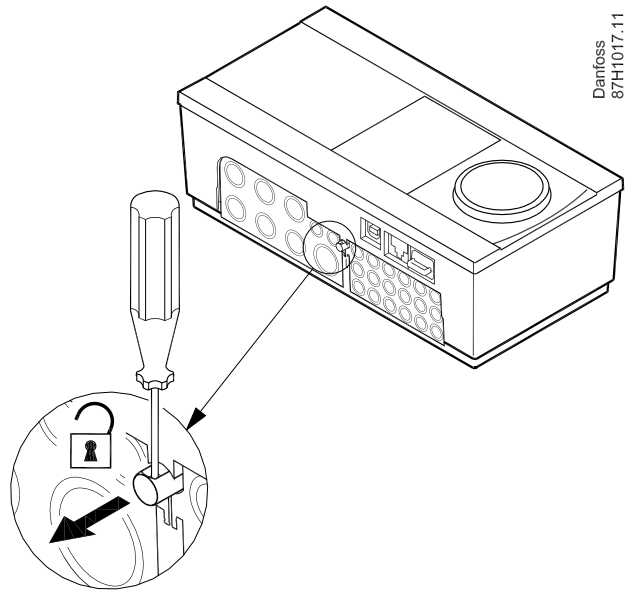
Danfoss
87H1042.10

8



Danfoss
87H1064.10

Installation Guide, ECL Comfort 310, A390



? **ECL Comfort 310, A390: www.heating.danfoss.com**



Danfoss A/S
Heating Segment • heating.danfoss.com • +45 7488 2222 • E-Mail: heating@danfoss.com

Danfoss can accept no responsibility for possible errors in catalogues, brochures and other printed material. Danfoss reserves the right to alter its products without notice. This also applies to products already on order provided that such alterations can be made without subsequent changes being necessary in specifications already agreed. All trademarks in this material are property of the respective companies. Danfoss and all Danfoss logotypes are trademarks of Danfoss A/S. All rights reserved.