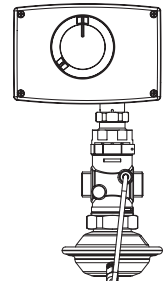
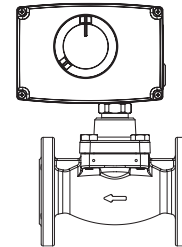
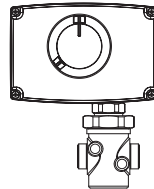
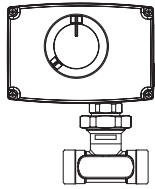
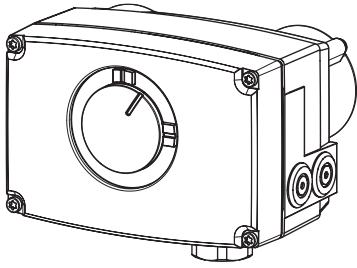


Operating Guide

# AMV 23, AMV 23 SU, AMV 33



AMV 23 (SU), AMV 33 + VS 2 (DN15-25)

AMV 23 (SU), AMV 33 + VM 2 (DN15-25)

AMV 23 (SU), AMV 33 + VB 2 (DN15-50)

AMV 23, AMV 33 + AVQM (PN16/25 DN15-50)

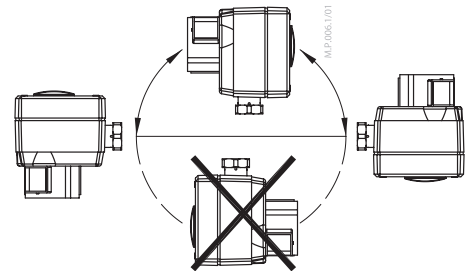


MAINTENANCE  
FREE

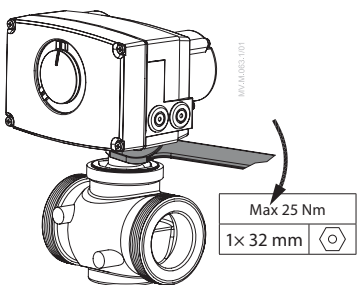
5-95 % RH  
no condensing

4 – 6 mm × 1 mm	32 mm	T 10	5 mm

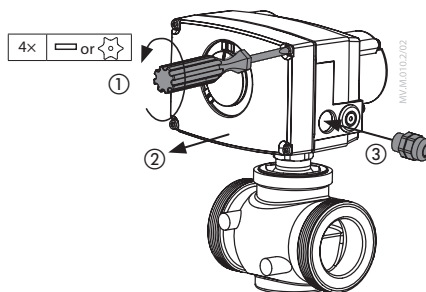
1



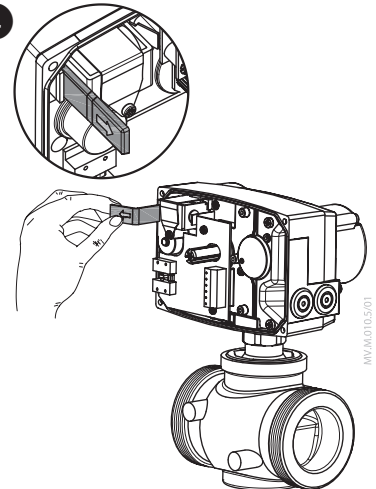
2



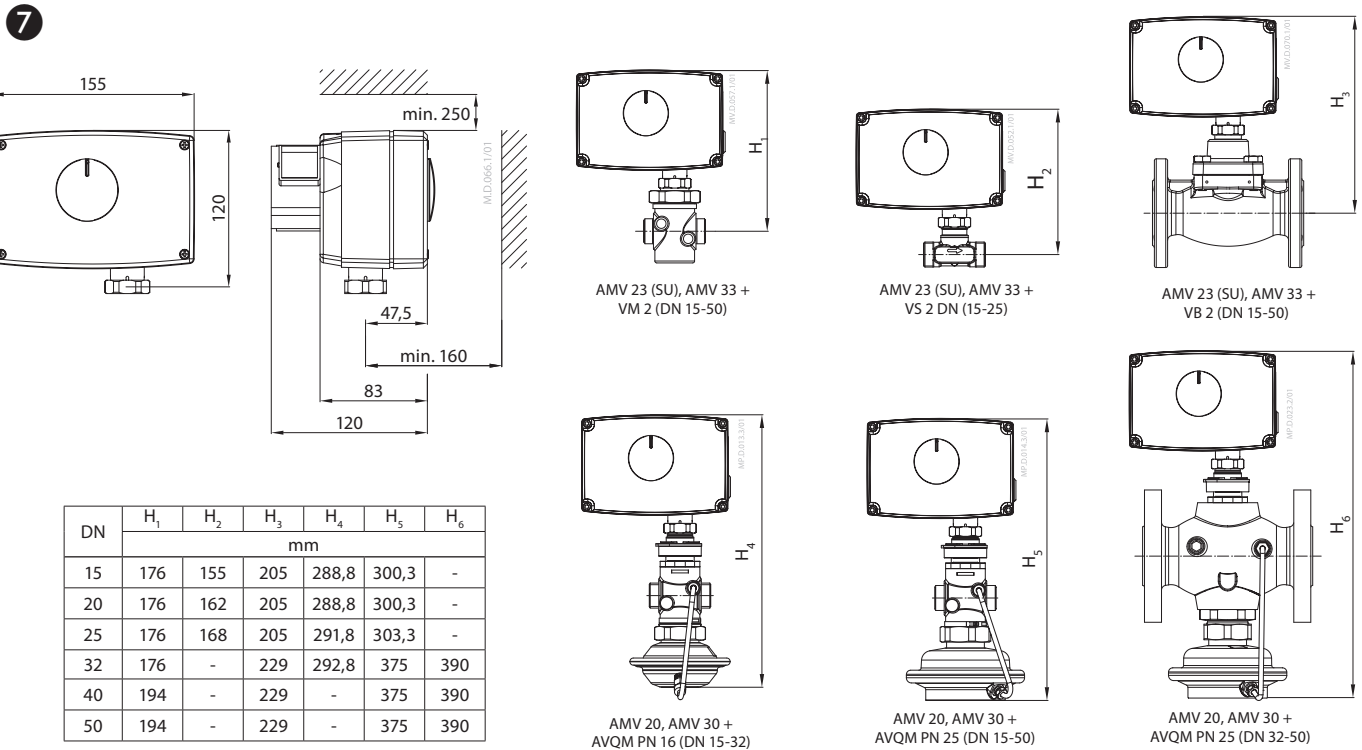
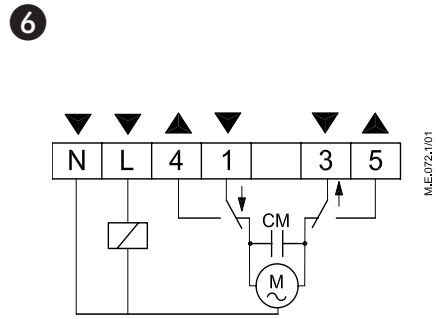
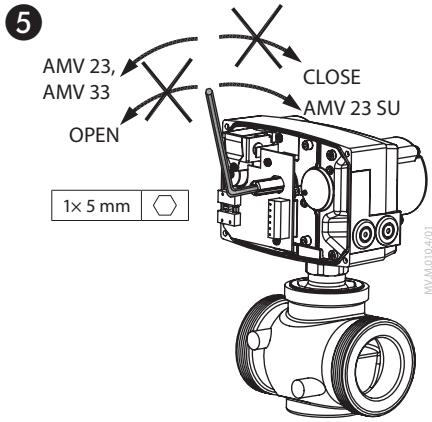
3



4



AMV 23, AMV 23 SU, AMV 33



部件名称 Part Name	有害物质含量表 Hazardous Substances Table					
	铅 (Pb)	汞 (Hg)	镉 (Cd)	六价铬 (Cr(VI))	多溴联苯 (PBB)	多溴二苯醚 (PBDE)
Housing/ 外壳	X	O	O	O	O	O
Electromagnet/电磁体	X	O	O	O	O	O
Nut/ 螺母	X	O	O	O	O	O
Bush/ 衬套	X	O	O	O	O	O
Brake weights/制动配重	X	O	O	O	O	O

O: 表示该有害物质在该部件所有均质材料中的含量均在GB/T 26572规定的限量要求以下。  
O: Indicates that this hazardous substance contained in all of the homogeneous material for this part is below the limit requirement in GB/T 26572;  
X: 表示该有害物质至少在该部件的某一均质材料中的含量超出GB/T 26572规定的限量要求。  
X: Indicates that this hazardous substance contained in at least one of the homogeneous material for this part is above the limit requirement in GB/T 26572;

Danfoss can accept no responsibility for possible errors in catalogues, brochures and other printed material. Danfoss reserves the right to alter its products without notice. This also applies to products already on order provided that such alterations can be made without consequential changes being necessary in specifications already agreed. All trademarks in this material are property of the respective companies. Danfoss and the Danfoss logotype are trademarks of Danfoss A/S. All rights reserved.