



Engineering progress
Enhancing lives

AWADOCK CLASSIC

Installation instructions



AWADOCK CLASSIC

Assembly instructions AWADOCK Classic DN 160 and DN 200



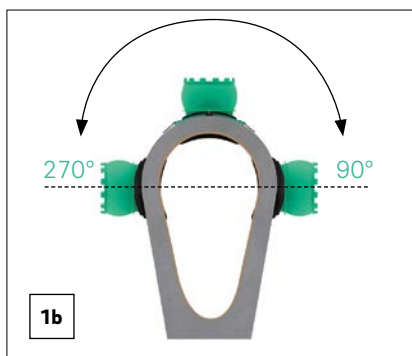
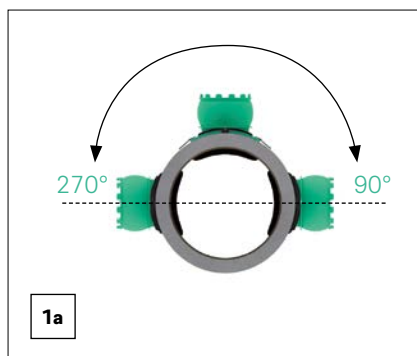
Installation information:

- Protect the AWADOCK connecting branch with the expandable secondary seal (Q-TE-C) from getting wet until just before installation to avoid unintentional expansion of the green secondary seal.
- Check that the AWADOCK set is complete (connecting seal, screw crown, lubricant).
- The minimum distance of two connections on vitrified clay, concrete or reinforced concrete pipe should be 1 m. Drilling directly opposite is to be avoided in order not to excessively weaken the pipe structural design.
- The wall thickness of the main pipe is the critical factor in choosing the suitable AWADOCK type. Please bear in mind that in spite of the same dimensions, pipes may have greatly differing wall thicknesses.
- Information on the AWADOCK type can be found on the packaging, the screw crown and the connection seal.
- Examine the main pipeline prior to drilling for backflow of wastewater and ventilate it where required in order to prevent the escape of gases that are detrimental to health or explosive.
- Pay attention to cleanliness during the assembly in order to avoid that dirt gets onto the sealing surfaces of the individual components.

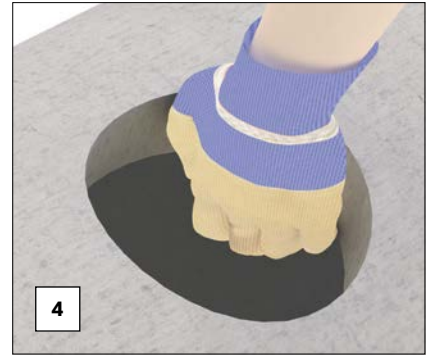
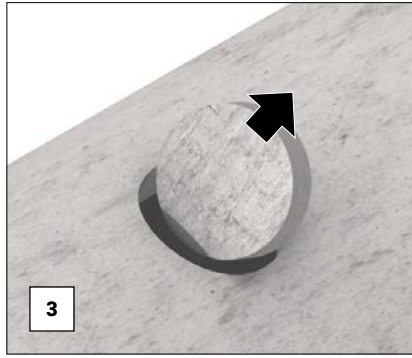
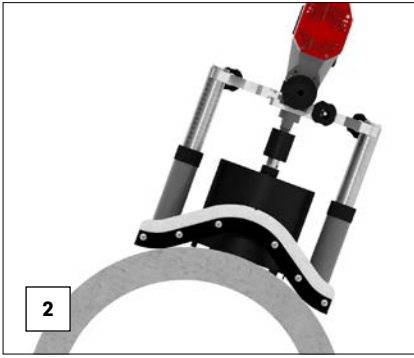
Borehole diameter

	AWADOCK for pipes and concrete chambers	AWADOCK for plane walls
DN 160	200 +2/-1 mm	200 ±1 mm
DN 200	257 +2/-1 mm	250 ±1 mm

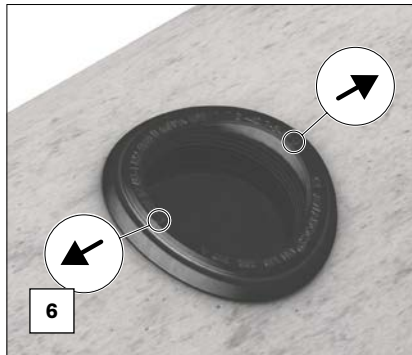
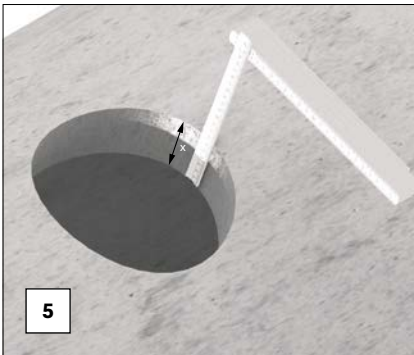
Installation steps



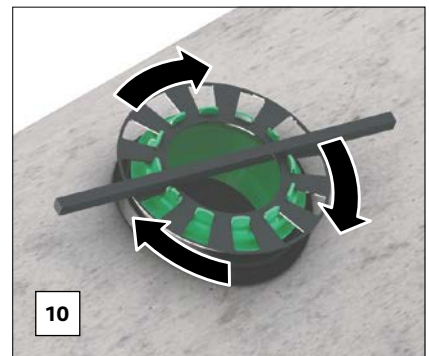
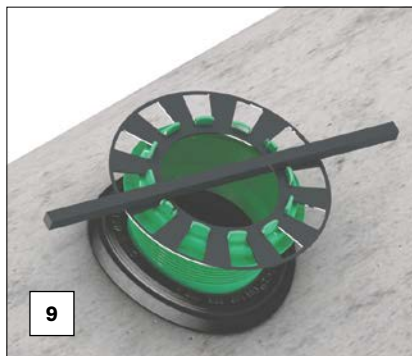
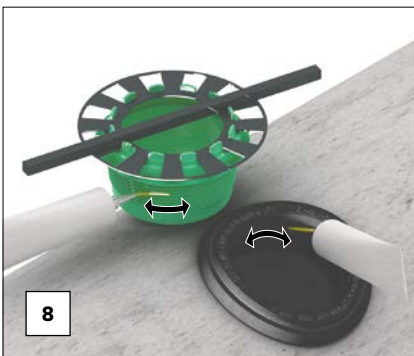
1. The drill is to be secured using appropriate equipment between 270° and 90° (e.g. using a drilling stand, ground pegs, suction cup or tension belts).



2. Create a borehole at right angles and centrally to the pipe axis using a diamond drill bit.
Borehole diameter 200 ± 1 mm
3. Remove the drill core as necessary.
4. Clean the hole face and examine it to determine any defective areas and, if necessary, repair it.



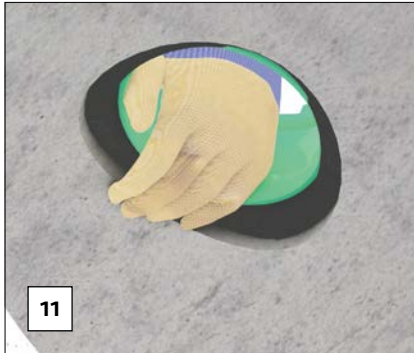
5. Measure the wall thickness of the main pipe and select the suitable AWADOCK connecting branch, e.g. AWADOCK Classic type A for wall thicknesses of 61 - 85 mm.
6. Insert the AWADOCK connecting seal into the borehole and align it. The arrow on the seal is pointing to the axial direction of the main pipe. Make sure that the finishing lip of the connection seal is flush with the outside of the main pipe all-round.
7. Place the installation wrench on the screw crown and snap it in. The handle bar of the wrench is positioned directly besides the crown spikes with snap-in elements.



8. Coat the female thread of the AWADOCK connection seal and the spigot end of the screw crown with the lubricant provided across the entire surface.
9. Insert the screw crown into the seal using the installation wrench and align it centrally.
10. Screw in the conical screw crown using the installation wrench by applying slight pressure in clockwise direction until the stop ring of the screw crown firmly adheres to the connection seal evenly on both sides (in case of connecting branches without stop, rotate the screw crown up to the last thread).



Ensure that the screw crown is screwed in centrally.



11. Make sure that either the screw crown nor the connection seal protrude into the pipe cross-section.
12. Clean the lip seal in the screw crown, then apply lubricant onto the spigot end of the chamfered connection pipe and inset it into the screw crown up to the stop.
13. AWADOCK with ball joint: Depending on the installation situation, the connection pipe can be infinitely angled horizontally or vertically by $\pm 7.5^\circ$.

This document is protected by copyright. All rights based on this are reserved. No part of this publication may be translated, reproduced or transmitted in any form or by any similar means, electronic or mechanical, photocopying, recording or otherwise, or stored in a data retrieval system.

Our verbal and written advice with regard to usage is based on years of experience and standardised assumptions and is provided to the best of our knowledge. The intended use of REHAU products is described comprehensively in the technical product information. The latest version can be viewed at www.rehau.com/TI. We have no control over the application, use or processing of the products. Responsibility for these

activities therefore remains entirely with the respective user/processor. Where claims for liability nonetheless arise, they shall be governed exclusively according to our terms and conditions, available at www.rehau.com/conditions, insofar as nothing else has been agreed upon with REHAU in writing. This shall also apply for all warranty claims, with the warranty applying to the consistent quality of our products in accordance with our specifications. Subject to technical changes.

www.rehau.uk

© REHAU Ltd
Hill Court, Walford,
Ross-on-Wye,
HR9 5QN

U22600 EN 11.2022