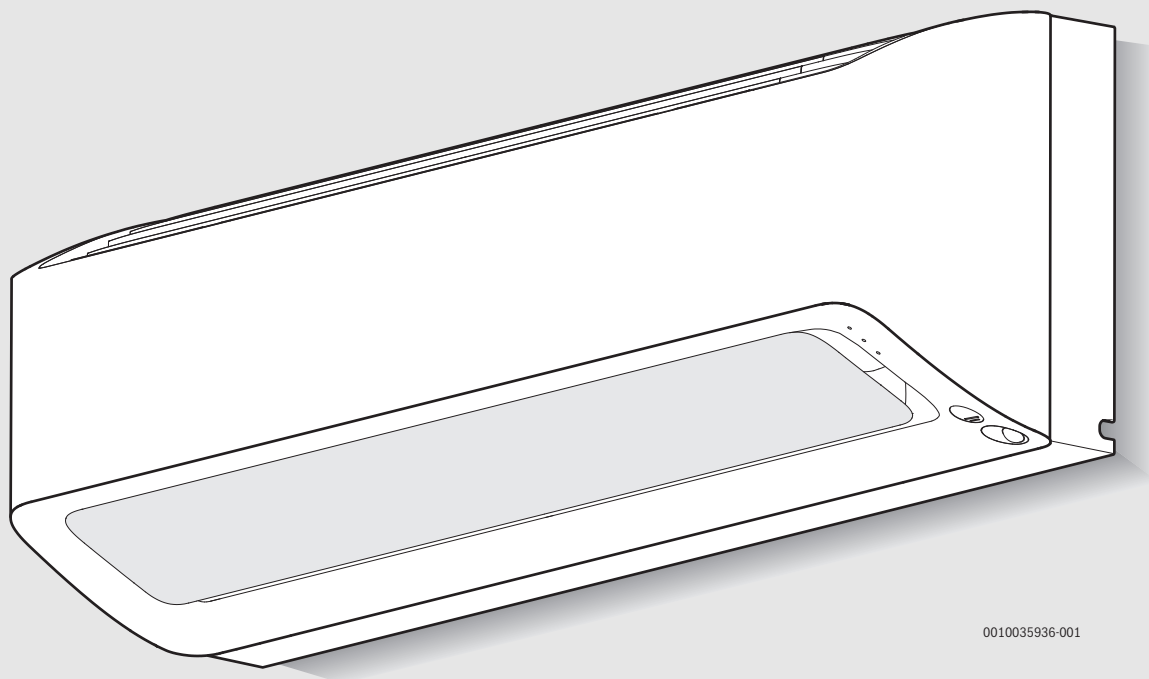


# Climate Class 6100i/8100i

CLC6101i-Set 50 HE, CLC6101i-Set 65 HE, CLC8101i-Set 65 HE (T/S/R)

<b>en</b>	Air/air heat pump	Installer Guide . . . . .	2
<b>da</b>	Luft/Luft-varmepumpe	Installationsvejledning . . . . .	9
<b>fi</b>	Ilma/ilmalämpöpumppu	Asennusohje . . . . .	16
<b>no</b>	Luft-luft-varmepumpe	Installasjonsveiledning . . . . .	23
<b>sv</b>	Luft-luft-varmepump	Installatörshandledning . . . . .	30
<b>et</b>	Õhk-õhksoojuspump	Paigaldusjuhend . . . . .	37
<b>lv</b>	Gaiss-gaiss siltumsūknis	Montāžas instrukcija . . . . .	44
<b>lt</b>	Šilumos siurblys oras/oras	Montavimo instrukcija . . . . .	52



0010035936-001



## Table of contents

<b>1</b>	<b>Explanation of symbols and safety instructions</b>	<b>2</b>
1.1	Explanation of symbols	2
1.2	General safety instructions	2
1.3	Notices regarding these instructions	3
<b>2</b>	<b>Product Information</b>	<b>3</b>
2.1	Declaration of conformity	3
2.2	Simplified EU Declaration of Conformity regarding radio equipment	3
2.3	Scope of delivery	3
2.4	Product dimensions and minimum clearances	3
2.4.1	Indoor unit and outdoor unit	3
2.4.2	Refrigerant lines	3
<b>3</b>	<b>Installation</b>	<b>4</b>
3.1	Before installation	4
3.2	Requirements for installation site	4
3.3	Unit installation	4
3.3.1	Installing the indoor unit	4
3.3.2	Installing the outdoor unit	5
3.4	Pipework connection	5
3.4.1	Connecting refrigerant lines to the indoor and outdoor unit	5
3.4.2	Connect condensate pipe to the indoor unit	5
3.4.3	Checking tightness and filling the system	6
3.5	Electrical connection	6
3.5.1	General notes	6
3.5.2	Connecting the indoor unit	6
3.5.3	Connecting the outdoor unit	6
<b>4</b>	<b>Commissioning</b>	<b>7</b>
4.1	Commissioning checklist	7
4.2	Functional test of device	7
4.3	Handover to the user	7
<b>5</b>	<b>Troubleshooting</b>	<b>7</b>
5.1	Faults with indication	7
5.2	Faults without indication	8
<b>6</b>	<b>Environmental protection and disposal</b>	<b>8</b>
<b>7</b>	<b>Data Protection Notice</b>	<b>8</b>

## 1 Explanation of symbols and safety instructions

### 1.1 Explanation of symbols

#### Warnings

In warnings, signal words at the beginning of a warning are used to indicate the type and seriousness of the ensuing risk if measures for minimizing danger are not taken.

The following signal words are defined and can be used in this document:



**DANGER** indicates that severe or life-threatening personal injury will occur.



**WARNING** indicates that severe to life-threatening personal injury may occur.



**CAUTION** indicates that minor to medium personal injury may occur.

#### NOTICE

**NOTICE** indicates that material damage may occur.

#### Important information



The info symbol indicates important information where there is no risk to people or property.




Symbol	Meaning
	Warning regarding flammable substances: the R32 refrigerant used in this product is a gas with low combustibility and low toxicity (A2L or A2).
	Maintenance by a qualified person should be done while following the instructions of the service manual.
	For operation follow the instructions of the user manual.

Table 1

### 1.2 General safety instructions

#### Notices for the target group

These installation instructions are intended for qualified persons who are skilled in dealing with refrigeration engineering and HVAC technology and also electrical systems. All system-relevant instructions must be observed. Failure to comply with instructions may result in material damage and personal injury, including danger to life.

- ▶ Before carrying out the installation, read the installation instructions of all system elements.
- ▶ Observe the safety instructions and warnings.

- ▶ Follow national and regional regulations, technical regulations and guidelines.
- ▶ Record all work carried out.

### **Intended use**

The unit is not intended for commercial use. Incorrect use of the unit and damage resulting therefrom are excluded from liability.

### **General dangers posed by the refrigerant**

- ▶ This appliance is filled with refrigerant R32. If the refrigerant gas gets into contact with fire, it may generate toxic gas.
- ▶ Thoroughly ventilate the room if refrigerant leaks during the installation.
- ▶ Check the tightness of the system following the installation.
- ▶ Do not let any other substance than the specified refrigerant (R32) into the refrigerant cycle.

### **Safety of electrical devices for domestic use and similar purposes**

The following requirements apply in accordance with EN 60335-1 in order to prevent hazards from occurring when using electrical appliances:

“This appliance can be used by children of 8 years and older, as well as by people with reduced physical, sensory or mental capabilities or lacking in experience and knowledge, if they are supervised and have been given instruction in the safe use of the appliance and understand the resulting dangers. Children shall not play with the appliance. Cleaning and user maintenance must not be performed by children without supervision.”

“If the power cable is damaged, it must be replaced by the manufacturer, its customer service department or a similarly qualified person, so that risks are avoided.”

### **Handover to the user**

When handing over the air conditioning system, explain the operation and operating conditions to the operator.

- ▶ Explain operation – with particular emphasis on all safety-related actions.
- ▶ Highlight the following points in particular:
  - Point out that modifications or repairs may be carried out only by an approved contractor.
  - To ensure safe and environmentally compatible operation, an annual inspection, and also cleaning and maintenance if required, must be carried out.

- ▶ Point out the possible consequences (personal injury and possible danger to life or material damage) of not carrying out inspection, cleaning and maintenance correctly, or omitting it altogether.
- ▶ Hand over the installation and operating instructions to the user for safekeeping.

### **1.3 Notices regarding these instructions**


The figures are shown together at the end of these instructions. The text contains references to the figures.

Depending on the model, the products may be different to those shown in these instructions.

## **2 Product Information**

### **2.1 Declaration of conformity**

The design and operating characteristics of this product comply with the European and national requirements.

 The CE marking declares that the product complies with all the applicable EU legislation, which is stipulated by attaching this marking.

The complete text of the Declaration of Conformity is available on the Internet: [worcester-bosch.co.uk](http://worcester-bosch.co.uk).

### **2.2 Simplified EU Declaration of Conformity regarding radio equipment**

Bosch Thermotechnik GmbH hereby declares, that the Climate Class 6100i/8100i product described in these instructions complies with the Directive 2014/53/EU.

The complete text of the EU Declaration of Conformity is available on the Internet: [worcester-bosch.co.uk](http://worcester-bosch.co.uk).

### **2.3 Scope of delivery**

**Key to Fig. 1:**

- [1] Outdoor unit (filled with refrigerant)
- [2] Indoor unit (filled with nitrogen)
- [3] Mounting Plate
- [4] Mirror sheet metal (only for coloured product types CLC8101i... T/S/R)<sup>1)</sup>
- [5] Terminal cover with screw
- [6] Remote control with batteries
- [7] Set of printed documents for product documentation
- [8] Fixing materials (7 long screws, 1 special screw for fixing the remote control and 8 wall plugs)
- [9] Sheet metal (for fixing the cable in the strain relief)

### **2.4 Product dimensions and minimum clearances**

#### **2.4.1 Indoor unit and outdoor unit**

Fig. 2

- [1] Wall plug (scope of delivery)
- [2] Special screw (scope of delivery)

A CLC8101i... model

B CLC6101i... model

#### **2.4.2 Refrigerant lines**

**Key to Fig. 3:**

- [1] Pipe on gas side
- [2] Pipe on liquid side
- [3] Siphon-shaped elbow as oil separator

1) Fastening the mirror metal sheets → Fig. 10



If the outdoor unit is positioned higher than the indoor unit, install a siphon-shaped elbow on the gas side after no more than 6 m and every 6 m thereafter (→ Fig. 3, [1]).

- ▶ Observe maximum pipe length and maximum difference in height between indoor unit and outdoor unit.

	Maximum pipe length <sup>1)</sup> [m]	Maximum height difference [m]
All types	≤ 15	≤ 10

1) Gas side or liquid side

Table 2 Pipe length and difference in height

Unit type	Pipe size	
	Liquid side [mm]	Gas side [mm]
All types	6.35 (1/4")	9.53 (3/8")

Table 3 Pipe diameter depending on unit type

Pipe diameter [mm]	Alternative pipe diameter [mm]
6.35 (1/4")	6
9.53 (3/8")	10

Table 4 Alternative pipe diameter

Specification of the pipes	
Min. piping length	3 m
Standard piping length	5 m
Additional refrigerant if the pipe length exceeds 7.5 m (liquid side)	CLC6101i...: 15 g/m CLC8101i...: 0 g/m
Pipe thickness with 6.35 mm to 12.7 mm pipe diameter	≥ 0.8 mm
Thickness of insulation against heat	≥ 6 mm
Material of insulation against heat	Polyethylene foam

Table 5



The length of the pipework without additional refrigerant filling is 7.5 m. With longer pipework, the refrigerant is filled according to pipe length. In doing so, the maximum fill volume is 1100 g.

## 3 Installation

### 3.1 Before installation



#### CAUTION

#### Risk of injury from sharp edges!

- ▶ Wear protective gloves during installation.



#### CAUTION

#### Danger of burns!

During operation the pipes become hot.

- ▶ Make sure, that the pipes cooled down before touching them.
- ▶ Check the scope of delivery for damage.
- ▶ Check whether a hissing sound due to negative pressure can be detected when opening the pipes of the indoor unit.

### 3.2 Requirements for installation site

- ▶ Observe minimum clearances (→ Fig. 4).

#### NOTICE

#### Device damage caused by snow!

Snow accumulating underneath the outdoor unit may impair operation and damage the device. If snow clogs the condensate pipe, ice will gather and damage the unit.

- ▶ Ensure that the condensate pipes of the outdoor unit cannot be clogged and are always unobstructed, and that water can easily run off.
- ▶ For heating mode and defrosting, ensure that a minimum distance of 250 mm is always maintained between the snow and outdoor unit.

#### Indoor unit

- ▶ Do not install the indoor unit in a room in which open ignition sources (for example: open flames, an operating wall mounted gas boiler or an operating electric heating system) are in operation.
- ▶ The appliance can be installed in a room with a floor area of 4 m<sup>2</sup>, if the installation height is at least 2.5 m. If the installation height is lower, the floor area must be accordingly larger.
- ▶ The installation location must not be higher than 2000 m above sea level.
- ▶ Keep the air inlet and air outlet clear of any obstacles to allow the air to circulate freely. Otherwise poor performance and higher noise levels may occur.
- ▶ Keep TV, radio and similar appliances at least 1 m away from the unit and the remote control.
- ▶ Mount the indoor unit on a wall that absorbs vibrations.

#### Outdoor unit

- ▶ The outdoor unit must not be exposed to machine oil vapour, hot spring vapour, sulphur gas, etc.
- ▶ Do not install the outdoor unit directly next to water or where it is exposed to sea air.
- ▶ The outdoor unit must always be kept free of snow.
- ▶ There must be no disruption caused by extract air or operating noise.
- ▶ Air should be able to circulate freely around the outdoor unit, but the appliance must not be exposed to strong wind.
- ▶ Condensate that forms during operation must be able to drain off easily. Lay a drain hose if required. In cold regions, installation of a drain hose is not advisable as it could freeze.
- ▶ Place the outdoor unit on a stable base.

### 3.3 Unit installation

#### NOTICE

#### Incorrect assembly can cause material damage.

If the unit is assembled incorrectly, it may fall off the wall.

- ▶ Only install the unit on a solid flat wall. The wall must be capable of supporting the weight of the unit.
- ▶ Only use screws and wall plugs that are suitable for the wall type and weight of the unit.

#### 3.3.1 Installing the indoor unit

- ▶ Open the box and lift the indoor unit out and up.
- ▶ Place the indoor unit with the moulded parts of the packaging face down.
- ▶ Remove the mounting plate on the rear of the indoor unit.
- ▶ Determine the installation location, taking the minimum clearances into consideration (→ Fig. 2).
- ▶ Attach the mounting plate with a screw and wall plug via the centre hole to the wall and align horizontally (→ Fig. 4.[1]).

- ▶ Fasten the mounting plate with a further six screws and wall plugs so that the the mounting plate lies flat on the wall.
- ▶ Drill wall outlet for the piping (wall outlet should be behind the indoor unit as a recommendation → Fig. 5).

**i**  
The markings [1] serves the positioning of the hole.

- ▶ Change the position of the condensate pipe if necessary (→ Fig. 6).

**i**  
The pipe fittings on the indoor unit are generally located behind the indoor unit. We recommend extending the pipes before mounting the indoor unit.

- ▶ Establish pipe connections as described in Chapter 3.4.
- ▶ Bend the piping in the required direction if necessary, and knock out an opening on the side or underneath on the cover panel (→ Fig. 8).
- ▶ Route the piping through the wall and attach the indoor unit to the mounting plate (→ Fig. 9).
- ▶ Additional mirror metal sheets are available for the coloured models CLC8101i... T/S/R, and must be attached at the designated points (→ Fig. 10, [2]).
  - Determine the position of the mirror metal sheets.<sup>1)</sup>
  - Pull off adhesive foil.
  - Match mirror metal sheets to the mirrored metal sheets that are already installed [1].

If it is necessary to take the indoor unit off the mounting plate:

- ▶ Press against the marks on the bottom of the indoor unit, and pull the indoor unit towards the front (→ Fig. 11, [1]).

**i**  
These marks are not visible on the coloured product types CLC8101i... T/S/R as a mirror metal sheet is attached at this point. The indoor unit can still be removed from the wall in this manner by pressing at the corresponding points.

**3.3.2 Installing the outdoor unit**

- ▶ Place the box so it is facing upwards.

1) Depending on the position of the pipes, either all 4 or only 3 mirror metal sheets are required.

External diameter of pipe Ø [mm]	Tightening torque [Nm]	Flared opening diameter (A) [mm]	Flared pipe end	Pre-assembled flare nut thread
6.35 (1/4")	18-20	8.4-8.7		1/4"
9.53 (3/8")	32-39	13.2-13.5		3/8"

Table 6 Key data of pipe connections

**3.4.2 Connect condensate pipe to the indoor unit**

The condensation catch pan of the indoor unit has two connections. A condensate hose and bung are mounted on these connections at the factory and can be replaced (→ Fig. 6).

- ▶ Only route the condensate hose with a slope.

- ▶ Cut and remove the packing straps.
- ▶ Pull the box up and off and remove the packaging.
- ▶ Prepare and install a floor or wall mounting bracket, depending on the type of installation.
- ▶ Mount or hang the outdoor unit using the anti-vibration coupling for the feet which is supplied with the unit or is provided on site.
- ▶ Ensure for the condensate pipe on site.
- ▶ Remove the cover for the pipe connections (→ Fig. 12).
- ▶ Establish pipe connections as described in Chapter 3.4.
- ▶ Mount the cover for the pipe connections again.

**3.4 Pipework connection**

**3.4.1 Connecting refrigerant lines to the indoor and outdoor unit**

**CAUTION**

**Discharge of refrigerant due to leaky connections**

Refrigerant may be discharged if pipe connections are incorrectly installed.

- ▶ When reusing flared joints, always fabricate the flared part again.

**i**  
Copper pipes are available in metric and imperial sizes, the flare nut thread is however the same. The flared fittings on the indoor and outdoor unit are intended for imperial sizes.

- ▶ When using metric copper pipes, replace the flare nuts with nuts of a suitable diameter (→ Tab. 6).
- ▶ Determine pipe diameter and length (→ Page 3).
- ▶ Cut the pipe to length using a pipe cutter (→ Fig. 7).
- ▶ Deburr the inside of the pipe at both ends and tap to remove swarf.
- ▶ Insert the nut onto the pipe.
- ▶ Widen the pipe using a flaring tool to the size indicated in the tab. 6. It must be possible to slide the nut up to the edge but not beyond it.
- ▶ Connect the pipe and tighten the screw fitting to the torque specified in the tab. 6.
- ▶ Repeat the above steps for the second pipe.

**NOTICE**

**Reduced efficiency due to heat transfer between refrigerant pipes**

- ▶ Thermally insulate the refrigerant lines separately.

- ▶ Fit the insulation on the pipes and secure.

### 3.4.3 Checking tightness and filling the system

#### Checking tightness

Observe the national and local regulations when carrying out the tightness test.

- ▶ Remove the caps on the three valves (→ Fig. 13, [1], [2] and [3]).
- ▶ Connect the Schrader opener [6] and pressure gauge [4] to the Schrader valve [1].
- ▶ Screw in the Schrader opener and open the Schrader valve [1].
- ▶ Leave valves [2] and [3] closed and fill the system with nitrogen until the pressure is 10 % above the maximum design pressure of 42.5 bar.
- ▶ Check whether the pressure is still the same after 10 minutes.
- ▶ Admit nitrogen until the design pressure is reached.
- ▶ Check whether the pressure is still the same after at least 1 hour.
- ▶ Discharge nitrogen.

#### Filling the system

##### NOTICE

#### Malfunction due to incorrect refrigerant

The outdoor unit is filled with R32 refrigerant at the factory.

- ▶ If refrigerant needs to be topped up, only use the same refrigerant. Do not mix refrigerant types.
- 
- ▶ Evacuate and dry system with a vacuum pump (→ Fig. 13, [5]) for at least 30 minutes until the pressure is roughly -1 bar (or approx. 500 microns).
  - ▶ Open the valve at the top [3] (liquid side).
  - ▶ Use a pressure gauge [4] to check whether the flow is unobstructed.
  - ▶ Open valve at bottom [2] (gas side).  
The refrigerant is distributed round the system.
  - ▶ Afterwards, check the pressure ratios.
  - ▶ Unscrew the Schrader opener [6] and close the Schrader valve [1].
  - ▶ Remove the vacuum pump, pressure gauge and Schrader opener.
  - ▶ Reattach the valve caps.
  - ▶ Reattach the cover for pipe connections to the outdoor unit.

## 3.5 Electrical connection

### 3.5.1 General notes

#### WARNING

#### Risk to life from electric shock!

Touching live electrical parts can cause an electric shock.

- ▶ Before working on electrical parts, disconnect all phases of the power supply (fuse/circuit breaker) and lock the isolator switch to prevent unintentional reconnection.
- 
- ▶ Work on the electrical system must only be carried out by a qualified electrician.
  - ▶ Observe safety measures according to national and international regulations.
  - ▶ If there is a safety issue with the power supply or if there is a short circuit during installation, inform the customer in written form and do not install the unit until the issue is resolved.
  - ▶ All electrical connections must be made in accordance with the electrical connection diagram.
  - ▶ Only strip cable insulation with the correct tools.
  - ▶ Do not connect any additional loads to the mains power supply of the device.
  - ▶ Do not mix up live and neutral wires. This can lead to malfunctions.
  - ▶ If the mains power supply is fixed, install an overvoltage protector and isolator which is designed for 1.5 times the maximum power consumption of the device.

### 3.5.2 Connecting the indoor unit

The indoor unit is connected to the outdoor unit using a 4-wire communication cable of the type H07RN-F. The conductor cross-section of the communication cable should be at least 1.5 mm<sup>2</sup>.


#### NOTICE

#### Material damage can be caused by connecting the indoor unit incorrectly

Voltage is supplied to the indoor unit via the outdoor unit.

- ▶ Only connect the indoor unit to the outdoor unit.

To connect the communication cable:

- ▶ Open the top cover and front cover.
  - Release the locks on the top cover.
  - Hold the top cover against your own body and lift.
  - Unhook the front cover and pull towards the front along the rail. (→ Fig. 14).
- ▶ Process the end of the connecting lead [3] for the indoor unit (→ Fig. 15 to 16).
- ▶ Remove screw [4] and cover [5] of the terminal.
- ▶ Knock out an opening for the cable feed on the rear of the indoor unit and feed the cable through.
- ▶ Connect the cable to terminal N, 1, 2.
- ▶ Connect protective conductor [2] to .
- ▶ Note assignment of wires to the terminals.
- ▶ Reattach the cover of the switch on terminal.
- ▶ Fasten front and top cover again.
- ▶ Route the cable to the outdoor unit.

### 3.5.3 Connecting the outdoor unit

A power cable (3-wire) is connected to the outdoor unit and the communication cable is connected to the indoor unit (4-wire). Use cables of the type H07RN-F with sufficient conductor cross-section and protect the mains power supply with a fuse (→ Table 7).



Outdoor unit	Mains fuse protection	Conductor cross-section	
		Power cable	Communication cable
All types	16 A	≥ 1.5 mm <sup>2</sup>	≥ 1.5 mm <sup>2</sup>

Table 7

- ▶ Prepare the end of the power cable (→ Fig. 17).
- ▶ Prepare the end of the communication cable (→ Fig. 18).
- ▶ Remove the covers [3+6] of the electrical connection (→ Fig. 19).



Model CLC610i... only has the cover [3].

- ▶ Secure power cable [2] and communication cable [1] to the strain relief [4]. If necessary, insert the supplied inlay [5] in-between.
- ▶ Secure power cable to terminals N, 1, and .
- ▶ Secure the communication cable to terminals N, 1, 2 and  (assignment of wires to terminals same as indoor unit).
- ▶ Reattach the covers.

## 4 Commissioning

### 4.1 Commissioning checklist

1	Outdoor unit and indoor unit are correctly installed.	
2	Pipes are correctly <ul style="list-style-type: none"> <li>• connected,</li> <li>• thermally insulated,</li> <li>• and checked for tightness.</li> </ul>	
3	Condensate pipes are functioning correctly and have been tested.	
4	Electrical connection has been correctly established. <ul style="list-style-type: none"> <li>• Power supply is in the normal range</li> <li>• Protective conductor is properly attached</li> <li>• Connection cable is securely attached to the terminal strip</li> </ul>	
5	All covers are fitted and secured.	
6	The horizontal louver of the indoor unit is fitted correctly and the actuator is engaged.	

Table 8

### 4.2 Functional test of device

The system can be tested once the installation including tightness test has been carried out and the electrical connection has been established:

- ▶ Connect the power supply.
- ▶ Switch on indoor unit with the remote control.
- ▶ Hold the **ON/OFF** [1] key pressed for 5 seconds to set the Cooling mode (→ Fig. 20)  
A beep sounds and the ON indicator flashes.
- ▶ Test cooling mode for 5 minutes.
- ▶ Ensure freedom of movement of air baffle [2].

Fault code	Possible Cause
00 – 0	Normal Operation
01 – ...	Short circuit on the thermistor of the outdoor unit
02 – ...	Fault caused by the temperature in the compressor or heat exchanger being too high
03 – 0	For protection, the outdoor unit is switched off for a short time.
05 – ...	Open electric circuit on the thermistor of the outdoor unit
06 – ...	Overloading from insufficient refrigerant or blocked air inlet/outlet. Fault at IPM module or overcurrent protection of the outdoor unit main PCB.
07 – ...	
09 – ...	Fault at thermistor or 4-way valve or insufficient refrigerant.
10 – ...	Faulty parameter in the EEPROM of the outdoor unit
11 – ...	Fault on fan in outdoor unit
13 – ...	Fault on compressor at start or operation
14 – ...	Fault at the impulse amplitude modulation
17 – ...	Incorrect electrical connection of the device with open electric circuit
18 – ...	Incorrect electrical connection of the device with short circuit
19 – ...	Fault on fan of the indoor unit
20 – ...	Faulty parameter in the EEPROM of the indoor unit
24 – ...	Communication error of the indoor unit with the WLAN
26 – ...	Fault on a thermistor of the indoor unit

Table 9

- ▶ Select the heating mode on the remote control.
- ▶ Test heating mode for 5 minutes.
- ▶ Press the **ON/OFF** key again to stop the operation.

### 4.3 Handover to the user

- ▶ When the system has been set up, hand over the installation manual to the customer.
- ▶ Explain to the customer how to use the system, referring to the operation manual.
- ▶ Advise the customer to carefully read the operation manual.

## 5 Troubleshooting

### 5.1 Faults with indication





#### WARNING

#### Risk to life from electric shock!

Touching live electrical parts can cause an electric shock.

- ▶ Before working on electrical parts, disconnect all phases of the power supply (fuse/circuit breaker) and lock the isolator switch to prevent unintentional reconnection.

A fault on the device can also be indicated by the sequential flashing of the following lights:

- ON indicator  (green)
- Timer lamp  (orange)
- Plasmacluster lamp (blue)

The number of flashing signs specify the number of the fault codes.

For example in case of error **23 – 4** the green lamp flashes 2 times, then the orange lamp flashes 3 times then the blue lamp flashes 4 times. As an alternative, the fault code called up via the remote control → operating instructions.

If a fault is present for more than 10 minutes:

- ▶ Briefly interrupt the power supply and switch the indoor unit back on.

If a fault persists:

- ▶ Call customer service about the fault, providing details of the fault code and appliance.

## 5.2 Faults without indication

Error	Possible Cause	Remedy
The output of the indoor unit is too low.	Heat exchanger of outdoor or indoor unit soiled.	▶ Clean heat exchanger of outdoor or indoor unit.
	Lack of refrigerant	▶ Check tightness of pipes, reseal if required. ▶ Refill refrigerant.
Outdoor unit or indoor unit is not working.	No power	▶ Check power connection. ▶ Power on the indoor unit.
	Fuse has blown.	▶ Check power connection. ▶ Replace fuse.
Outdoor unit or indoor unit starts and stops continuously.	Insufficient refrigerant in the system.	▶ Check tightness of pipes, reseal if required. ▶ Refill refrigerant.
	Too much refrigerant in the system.	▶ Remove refrigerant with refrigerant recovery unit.
	Moisture or impurities in the refrigerant circuit.	▶ Evacuate refrigerant circuit. ▶ Fill with new refrigerant.
	Voltage fluctuations too high.	▶ Install voltage regulator.
	Defective compressor.	▶ Replace compressor.

Table 10

## 6 Environmental protection and disposal

Environmental protection is a fundamental corporate strategy of the Bosch Group.

The quality of our products, their economy and environmental safety are all of equal importance to us and all environmental protection legislation and regulations are strictly observed.

We use the best possible technology and materials for protecting the environment taking account of economic considerations.

### Packaging

Where packaging is concerned, we participate in country-specific recycling processes that ensure optimum recycling.

All of our packaging materials are environmentally compatible and can be recycled.

### Used appliances

Used appliances contain valuable materials that can be recycled.

The various assemblies can be easily dismantled. Synthetic materials are marked accordingly. Assemblies can therefore be sorted by composition and passed on for recycling or disposal.

### Old electrical and electronic appliances



This symbol means that the product must not be disposed of with other waste, and instead must be taken to the waste collection points for treatment, collection, recycling and disposal.

The symbol is valid in countries where waste electrical and electronic equipment regulations apply, e.g. "European Directive 2012/19/EC on old electronic and electrical appliances". These regulations define the framework for the return and recycling of old electronic appliances that apply in each country.

As electronic devices may contain hazardous substances, it needs to be recycled responsibly in order to minimize any potential harm to the environment and human health. Furthermore, recycling of electronic scrap helps preserve natural resources.

For additional information on the environmentally compatible disposal of old electrical and electronic appliances, please contact the relevant local authorities, your household waste disposal service or the retailer where you purchased the product.

You can find more information here:

[www.weee.bosch-thermotechnology.com/](http://www.weee.bosch-thermotechnology.com/)

### Batteries

Batteries must not be disposed together with your household waste. Used batteries must be disposed of in local collection systems.

### Refrigerant R32



The appliance contains fluorinated gas R32 (global warming potential 675<sup>1)</sup>) low combustibility and low toxicity (A2L or A2).

Contained quantity is indicated on the equipment outdoor unit name label.

Refrigerant is hazardous to the environment and must be collected and disposed of separately.

## 7 Data Protection Notice



We, **Bosch Thermotechnology Ltd., Cotswold Way, Warndon, Worcester WR4 9SW, United Kingdom** process product and installation information, technical and connection data, communication data, product registration and client history data to provide product functionality (art. 6 (1) sentence 1 (b)

GDPR), to fulfil our duty of product surveillance and for product safety and security reasons (art. 6 (1) sentence 1 (f) GDPR), to safeguard our rights in connection with warranty and product registration questions (art. 6 (1) sentence 1 (f) GDPR) and to analyze the distribution of our products and to provide individualized information and offers related to the product (art. 6 (1) sentence 1 (f) GDPR). To provide services such as sales and marketing services, contract management, payment handling, programming, data hosting and hotline services we can commission and transfer data to external service providers and/or Bosch affiliated enterprises. In some cases, but only if appropriate data protection is ensured, personal data might be transferred to recipients located outside of the European Economic Area. Further information are provided on request. You can contact our Data Protection Officer under: Data Protection Officer, Information Security and Privacy (C/ISP), Robert Bosch GmbH, Postfach 30 02 20, 70442 Stuttgart, GERMANY.

You have the right to object, on grounds relating to your particular situation or where personal data are processed for direct marketing purposes, at any time to processing of your personal data which is based on art. 6 (1) sentence 1 (f) GDPR. To exercise your rights, please contact us via [privacy.ttg@bosch.com](mailto:privacy.ttg@bosch.com) To find further information, please follow the QR-Code.

1) Based on ANNEX I of REGULATION (EU) No 517/2014 of the European Parliament and of the Council of 16 April 2014.



**Indholdsfortegnelse**

<b>1</b>	<b>Symbolforklaring og sikkerhedsanvisninger</b>	<b>9</b>
1.1	Symbolforklaring	9
1.2	Generelle sikkerhedshenvisninger	9
1.3	Henvisninger til denne vejledning	10
<b>2</b>	<b>Oplysninger om produktet</b>	<b>10</b>
2.1	Overensstemmelseserklæring	10
2.2	Forenklet EU-overensstemmelseserklæring til radioanlæg	10
2.3	Leveringsomfang	10
2.4	Dimensioner og minimumsafstande	10
2.4.1	Indendørsenhed og udvendig enhed	10
2.4.2	Kølemiddelledninger	10
<b>3</b>	<b>Installation</b>	<b>11</b>
3.1	Før montering	11
3.2	Krav til opstillingsstedet	11
3.3	Montering af apparatet	11
3.3.1	Montering af indendørsenheden	11
3.3.2	Montering af udvendig enhed	12
3.4	Tilslutning af rørledninger	12
3.4.1	Tilslutning af kølemiddelledninger på indendørsenheden og på den udvendige enhed	12
3.4.2	Tilslutning af kondensatudløb på indendørsenheden	12
3.4.3	Kontrol af tæthed og påfyldning af anlæg	13
3.5	El-tilslutning	13
3.5.1	Generelle anvisninger	13
3.5.2	Tilslutning af indendørsenhed	13
3.5.3	Tilslutning af udvendig enhed	13
<b>4</b>	<b>Opstart</b>	<b>14</b>
4.1	Tjekliste til opstart	14
4.2	Funktionstest	14
4.3	Overdragelse til brugeren	14
<b>5</b>	<b>Fejlafhjælpning</b>	<b>14</b>
5.1	Fejl med visning	14
5.2	Fejl uden visning	15
<b>6</b>	<b>Miljøbeskyttelse og bortskaffelse</b>	<b>15</b>
<b>7</b>	<b>Bemærkning om databeskyttelse</b>	<b>15</b>


**1 Symbolforklaring og sikkerhedsanvisninger**


**1.1 Symbolforklaring**


**Advarselshenvisninger**

Under advarselshenvisninger viser tekstadvarsler art og omfanget af følger, hvis forholdsregler til at forhindre farer ikke følges.

Følgende signalord er definerede og kan forekomme i det foreliggende dokument:


 **FARE**  
**FARE** betyder, at der kan forekomme alvorlige og endog livsfarlige personskader.




 **ADVARSEL**  
**ADVARSEL** betyder, at der kan opstå alvorlige og endog livsfarlige personskader.

 **FORSIGTIG**  
**FORSIGTIG** betyder, at der kan opstå personskader af lettere til middel grad.

**BEMÆRK**  
**BEMÆRK** betyder, at der kan opstå materielle skader.

**Vigtige informationer**

 Vigtige informationer uden farer for personer eller ting vises med de viste info-symboler.

Symbol	Betydning
	Advarsel mod brændbare stoffer: Kølemidlet R32 i dette produkt er en gas med lav brændbarhed og lav giftighed (A2L eller A2).
	Vedligeholdelsen bør udføres af en kvalificeret person, og anvisninger i vedligeholdelsesvejledningen skal overholdes.
	Følg anvisningerne i denne betjeningsvejledning under drift.

Tab. 1

**1.2 Generelle sikkerhedshenvisninger**

**⚠ Anvisninger for målgruppen**

Denne installationsvejledning henvender sig til fagfolk inden for køle- og klimateknik og elektroteknik. Anvisningerne i alle anlægsrelevante vejledninger skal følges. Hvis anvisningerne ikke overholdes, kan det forårsage materielle skader og/eller personskader, som kan være livsfarlige.

- ▶ Læs installationsvejledningerne for alle anlæggets bestanddele før montering.
- ▶ Overhold sikkerheds- og advarselshenvisningerne.

- ▶ Overhold nationale og regionale forskrifter, tekniske regler og direktiver.
- ▶ Dokumentér det udførte arbejde.

### **⚠ Forskriftsmæssig anvendelse**

Apparatet er ikke beregnet til erhvervsmæssig brug. Usagkyndig brug af apparatet og heraf resulterende skader omfattes ikke af garantien.

### **⚠ Almene farer forårsaget af kølemiddel**

- ▶ Apparatet er fyldt med kølemidlet R32. Kølemiddelgas kan danne giftige gasser ved kontakt med ild.
- ▶ Hvis der slipper kølemiddel ud ved montering, skal rummet ventileres grundigt.
- ▶ Kontrollér anlæggets tæthed efter monteringen.
- ▶ Der må ikke slippe andre stoffer end det angivne kølemiddel (R32) ind i kølemiddelkredsløbet.

### **⚠ Sikkerhed ved elektrisk udstyr til husholdningsbrug og lignende formål**

For at undgå farer på grund af elektrisk udstyr gælder følgende bestemmelser iht. EN 60335-1:

„Dette apparat kan bruges af børn over 8 år samt af personer med reducerede fysiske, sensoriske og psykiske evner eller manglende erfaring og viden, hvis de er under opsyn eller er blevet undervist i apparatets brug og de farer, der kan være forbundet med det. Børn må ikke lege med apparatet. Rengøring og brugervedligeholdelse må kun udføres af børn, hvis de er under opsyn.“

„Hvis tilslutningsledningen beskadiges, skal den udskiftes af producenten eller dennes kundeservice eller af en tilsvarende kvalificeret person, så farlige situationer undgås.“

### **⚠ Overdragelse til brugeren**

Giv brugeren informationer om klimaanlæggets betjening og driftsbetingelser ved overdragelsen.

- ▶ Forklar betjeningen - især alle sikkerhedsrelevante handlinger.
- ▶ Vær særligt opmærksom på følgende punkter:
  - Ombygning eller istandsættelse må kun udføres af en autoriseret installatør.
  - En sikker og miljøvenlig drift forudsætter inspektion mindst én gang årligt samt rengøring og vedligeholdelse afhængigt af behov.
- ▶ Gør opmærksom på mulige følger (fra personskader til livsfare eller materielle skader) af manglende eller ukorrekt inspektion, rengøring og vedligeholdelse.
- ▶ Aflevér installations- og betjeningsvejledningerne til brugeren til opbevaring.

### **1.3 Henvisninger til denne vejledning**

Der findes en samlet oversigt over figurerne sidst i denne vejledning. Teksten indeholder henvisninger til figurerne.

Produkterne kan afhængigt af modellen afvige fra afbildningen i denne vejledning.

## **2 Oplysninger om produktet**

### **2.1 Overensstemmelseserklæring**

Dette produkt opfylder i sin konstruktion og sin driftsfunktion de europæiske og nationale krav.

**CE** Med CE-mærkningen erklæres produktets overensstemmelse med alle relevante EU-retsbestemmelser, der foreskriver anbringelsen af denne mærkning.

Overensstemmelseserklæringens fulde tekst findes på internettet: [www.bosch-climate.dk](http://www.bosch-climate.dk).

### **2.2 Forenklet EU-overensstemmelseserklæring til radioanlæg**

Hermed erklærer Bosch Thermotechnik GmbH, at produktet Climate Class 6100i/8100i med radioteknologi, der er beskrevet i denne vejledning, opfylder direktiv 2014/53/EU.

EU-overensstemmelseserklæringens fulde tekst findes på internettet: [www.bosch-climate.dk](http://www.bosch-climate.dk).

### **2.3 Leveringsomfang**

#### **Forklaring til fig. 1:**

- [1] Udvendig enhed (fyldt med kølemiddel)
- [2] Indendørsenhed (fyldt med kvælstof)
- [3] Monteringsplade
- [4] Spejlplade (kun til farvede typer CLC8101i... T/S/R)<sup>1)</sup>
- [5] Klemmemonteret dækplade med skrue
- [6] Fjernbetjening med batterier
- [7] Installationsvejledning
- [8] Fastgørelsesmateriale (7 lange skruer, 1 specialskrue til fastgørelse af fjernbetjeningen og 8 dyvler)
- [9] Plade (til fastgørelse af kabler i trækafastningen)

### **2.4 Dimensioner og minimumsafstande**

#### **2.4.1 Indendørsenhed og udvendig enhed**

Billede 2

- [1] Dyvel (leveringsomfang)
- [2] Specialskrue (leveringsomfang)

A Type CLC8101i...

B Type CLC6101i...

#### **2.4.2 Kølemiddelledninger**

##### **Forklaring til fig. 3:**

- [1] Rør på gassiden
- [2] Rør på væskesiden
- [3] Sifonformet bøjning som olieudskiller



Hvis den udvendige enhed placeres højere end indendørsenheden, skal der på gassiden senest efter 6 meter udføres en sifonformet bøjning og hver 6. meter udføres en sifonformet bøjning (→ figur 3, [1]).

- ▶ Overhold maksimal rørlængde og maksimal højdeforskel mellem indendørsenhed og udvendig enhed.

1) Spejlpladernes fastgørelse → fig. 10

	Maksimal rørlængde <sup>1)</sup> [m]	Maksimal højdeforskel [m]
Alle typer	≤ 15	≤ 10

1) Gasside eller væskeside

Tab. 2 Rørlængde og højdeforskel

Kedetype	Rørdiameter	
	Væskeside [mm]	Gasside [mm]
Alle typer	6,35 (1/4")	9,53 (3/8")

Tab. 3 Rørdiameter afhængigt af apparattype

Rørdiameter [mm]	Alternativ rørdiameter [mm]
6,35 (1/4")	6
9,53 (3/8")	10

Tab. 4 Alternativ rørdiameter

Rørspecifikation	
Min. rørlængde	3 m
Standard-rørlængde	5 m
Yderligere kølemiddel ved en rørlængde større end 7,5 m (væskeside)	CLC6101i...: 15 g/m CLC8101i...: 0 g/m
Rørtykkelse ved 6,35 mm til 12,7 mm rørdiameter	≥ 0,8 mm
Isoleringstykkelse	≥ 6 mm
Isoleringens materiale	Polyethylen-skumplast

Tab. 5



Rørledningens længde uden yderligere fyldning med kølemiddel er 7,5 m. Ved en længere rørlængde påfyldes kølemidlet alt efter rørets længde. Her er den maks. påfyldningsmængde 1100 g.

## 3 Installation

### 3.1 Før montering



#### FORSIGTIG

**Fare for personskader på grund af skarpe kanter!**

- ▶ Bær beskyttelseshandsker under montering.



#### FORSIGTIG

**Fare på grund af forbrænding!**

Rørledningerne bliver meget varme under driften.

- ▶ Kontrollér, at rørledningerne er afkølet, inden der røres ved dem.
- ▶ Kontrollér, at leveringsomfanget er intakt og uden skader.
- ▶ Kontrollér, om der høres en hvislen på grund af undertryk, når indendørsenhedens rør åbnes.

### 3.2 Krav til opstillingsstedet

- ▶ Overhold mindsteafstandene (→ fig. 4).

#### BEMÆRK

#### Apparatskader pga. sne!

Sne, der ophober sig under den udvendige enhed, kan påvirke driften negativt og beskadige apparatet. Hvis sne og is blokerer kondensatudløbet, vil der ophobe sig is og beskadige enheden.

- ▶ Sørg for, at kondensatudløbet på enheden ikke er blokeret og altid frit, og at vandet kan løbe uhindret ud.
- ▶ Sørg for varmedriftens og afrimningens skyld for, at der altid er mindst 250 mm afstand mellem sne og den udvendige enhed.

#### Indendørsenhed

- ▶ Montér ikke indendørsenheden i et rum, hvor der anvendes åbne tændingskilder (f.eks. åbne flammer, et gasapparat, der er i drift, eller et elektrisk varmeapparat, der er i drift).
- ▶ Apparatet kan monteres i et rum med et grundareal på 4 m<sup>2</sup>, hvis monteringshøjden udgør mindst 2,5 m. Ved lavere monteringshøjder skal arealet være tilsvarende større.
- ▶ Monteringsstedet må ikke ligge højere end 2000 m over havets overflade.
- ▶ Lufttilførslen og luftafgangen skal holdes fri for forhindringer af enhver slags, så luften kan cirkulere uforstyrret. Ellers kan der opstå effekttab og et højere lydtryk niveau.
- ▶ Hold fjernsyn, radioer og lignende apparater i en afstand på mindst 1 m fra apparatet og fjernbetjeningen.
- ▶ Vælg en væg, der dæmper vibrationer, til montering af indendørsenheden.

#### Udvendig enhed

- ▶ Den udvendige enhed må ikke udsættes for maskinolie damp, varme driftsdampe, svovlgas osv.
- ▶ Den udvendige enhed må ikke monteres direkte på vandet eller udsættes for havvind.
- ▶ Den udvendige enhed skal altid være fri for sne.
- ▶ Afgangsluft eller driftslyde må ikke forårsage forstyrrelser.
- ▶ Luften skal cirkulere frit omkring den udvendige enhed, men apparatet må ikke udsættes for kraftig vind.
- ▶ Kondensat, der opstår under drift, skal kunne udledes uden problemer. Om nødvendigt skal der monteres en afløbsslange. I kolde områder anbefales det ikke at montere en afløbsslange, da der kan ske tilisning
- ▶ Anbring den udvendige enhed på et stabilt underlag.

### 3.3 Montering af apparatet

#### BEMÆRK

#### Materielle skader på grund af ukorrekt montering!

I tilfælde af ukorrekt montering kan apparatet falde ned fra væggen.

- ▶ Montér kun apparatet på en fast og plan væg. Væggen skal kunne bære apparatets vægt.
- ▶ Anvend kun skruer og rawplugs, der er egnet til vægtypen og apparatets vægt.

#### 3.3.1 Montering af indendørsenheden

- ▶ Åbn kartonen, og træk indendørsenheden ud.
- ▶ Anbring indendørsenheden med emballagens formdele på forsiden.
- ▶ Fjern monteringspladen på bagsiden af indendørsenheden.
- ▶ Bestem monteringsstedet under overholdelse af minimumsafstandene (→ fig. 2).
- ▶ Fastgør monteringspladen med en skrue og en dyvel på væggen gennem det midterste hul, og indstil den i vandret niveau (→ fig. 4, [1]).

- ▶ Fastgør monteringspladen med seks yderligere skrue og dyvler, så monteringspladen ligger fladt op til væggen.
- ▶ Udbor en væggenemføring til rørlægningen (det anbefales at placere væggenemføringen bag ved indendørsenheden → fig. 5).

**i**  
 Markeringerne [1] anvendes til at placere boringen.

- ▶ Ændr kondensatudløbets position ved behov (→ fig. 6).

**i**  
 Rørforskrningerne på indendørsenheden er i de fleste tilfælde anbragt bag ved indendørsenheden. Vi anbefaler, at rørene forlænges, inden indendørsenheden hænges op.

- ▶ Udfør rørforbindelserne som beskrevet i kapitel 3.4.
- ▶ Bøj eventuelt rørene i den ønskede retning, og lav en åbning på siden af eller nederst på afdækningspladen (→ fig. 8).
- ▶ Før rørlægningen gennem væggen, og hæng indendørsenheden på monteringspladen (→ fig. 9).
- ▶ Til de farvede typer CLC8101i... T/S/R finde ekstra spejlplader, der skal monteres de tilsvarende steder (→ fig. 10, [2]).
  - Bestem spejlpladernes position.<sup>1)</sup>
  - Aftræk klæbefolie.
  - Tilpas spejlpladerne til de allerede eksisterende spejlplader [1].

Hvis indendørsenheden skal tages af monteringspladen:

- ▶ Tryk på markeringerne på undersiden af indendørsenheden, og træk indendørsenheden fremad (→ Fig. 11, [1]).

**i**  
 Ved de farvede produkttyper CLC8101i... T/S/R er disse markeringer ikke synlige, da der her er påsat en spejlplade på dette sted. Alligevel kan indendørsenheden på denne måde tages af væggen ved at trykke på de pågældende steder.

### 3.3.2 Montering af udvendig enhed

- ▶ Vend kartonen opad.
- ▶ Skær lukkebåndene op og fjern dem.
- ▶ Træk kartonen af oppefra, og fjern emballagen.
- ▶ Forbered en stående eller en vægkonsol alt efter monteringsstype, og foretag montering.

1) Alt efter rørenes position er der enten brug for alle 4 spejlplader eller kun 3.

Udvendig rørdiameter Ø [mm]	Tilspændingsmoment [Nm]	Diameter af bertlet åbning (A) [mm]	Bertlet rørende	Formonteret bertlingsmøtriksgevind
6,35 (1/4")	18-20	8,4-8,7		1/4"
9,53 (3/8")	32-39	13,2-13,5		3/8"

Tab. 6 Specifikationer for rørforbindelser

### 3.4.2 Tilslutning af kondensatudløb på indendørsenheden

Kondensatkarret til indendørsenheden er udstyret med to tilslutninger. Ab fabrik er der herpå monteret en kondensatslange og en prop, der kan udskiftes (→ fig. 6).

- ▶ Læg kondensatslangen med fald.

- ▶ Stil eller hæng den udvendige enhed på plads, anvend her de medfølgende eller forhåndenværende vibrationsdæmpere.
- ▶ Sørg for kondensatudløb på anvendelsesstedet.
- ▶ Fjern afdækningen til rørtilslutningerne (→ Fig. 12).
- ▶ Udfør rørforbindelserne som beskrevet i kapitel 3.4.
- ▶ Genmonter afdækningen til rørtilslutningerne.

## 3.4 Tilslutning af rørledninger

### 3.4.1 Tilslutning af kølemiddelledninger på indendørsenheden og på den udvendige enhed

**! FORSIGTIG**  
**Kølemiddeludslip på grund af utætte forbindelser**

Der kan slippe kølemiddel ud ved rørledningsforbindelser, der er udført usagkyndigt.

- ▶ Ved genanvendelse af bertlede forbindelser skal den bertlede del altid fremstilles på ny.

**i**  
 Kobberrør fås i metriske mål og i tommemål, bertlingsmøtrikgevindene er dog ens. De bertlede forskrninger på indendørsenheden og den udvendige enhed har tommemål.

- ▶ Hvis der anvendes metriske kobberrør skal bertlingsmøtrikkerne udskiftes med møtrikker med passende diameter (→ tabel 6).

- ▶ Bestem rørdiameter og rørlængde (→ side 10).
- ▶ Tilskær røret med en rørskeer (→ fig. 7).
- ▶ Afgrat rørenderne på indersiden, og bank spånerne ud.
- ▶ Sæt møtrikkerne på røret.
- ▶ Udvid røret med en bertlingsklokke til målet i tabel 6. Møtrikken skal nemt kunne skydes hen til randen men ikke ud over denne.
- ▶ Tilslut røret og tilspænd forskrningen til tilspændingsmomentet i tabel 6.
- ▶ Gentag ovenstående trin for det andet rør.

**BEMÆRK**  
**Reduceret virkningsgrad på grund af varmeoverførsel mellem kølemiddelledninger**

- ▶ Varmeisolér kølemiddelledninger adskilt fra hinanden.
- ▶ Anbring og fastgør rørisoleringen.

### 3.4.3 Kontrol af tæthed og påfyldning af anlæg

#### Kontrol af tæthed

Ved tæthedskontrollen skal de nationale og lokale bestemmelser overholdes.

- ▶ Fjern kapperne til de tre ventiler (→ fig. 13, [1], [2] og [3]).
- ▶ Tilslut Schrader-ventilåbner [6] og trykmåler [4] på Schrader-ventilen [1].
- ▶ Skru Schrader-ventilåbneren på, og åbn Schrader-ventilen [1].
- ▶ Hold ventiler [2] og [3] lukket, og fyld anlægget med kvælstof, til trykket 10 % ligger over nominelt tryk på 42,5 bar.
- ▶ Kontrollér, om trykket er uændret efter 10 minutter.
- ▶ Påfør kvælstof, indtil det nominelle tryk er nået.
- ▶ Kontrollér, om trykket er uændret efter mindst 1 time.
- ▶ Aftap kvælstoffet.

#### Påfyldning af anlægget

**BEMÆRK**

#### Funktionsfejl på grund af forkert kølemiddel

Den udvendige enhed er af fabrik fyldt med kølemidlet R32.

- ▶ Når der skal suppleres kølemiddel, må der kun anvendes kølemiddel af samme slags. Bland ikke forskellige kølemiddeltyper.
- ▶ Tøm anlægget med en vakuumpumpe (→ fig. 13, [5]) i mindst 30 minutter, og tør det
- ▶ Åbn den øverste ventil [3] (væskesiden).
- ▶ Kontrollér med trykmåleren [4], om gennemløbet er uhdret.
- ▶ Åbn den nederste ventil [2] (gassiden). Kølemidlet fordeler sig i anlægget.
- ▶ Kontrollér derefter trykforholdene.
- ▶ Skru Schrader-ventilåbneren [6] af, og luk Schrader-ventilen [1].
- ▶ Fjern vakuumpumpe, trykmåler og Schrader-ventilåbner.
- ▶ Anbring ventilkapperne igen.
- ▶ Anbring afdækningen til rørtilslutninger på den udvendige enhed.

### 3.5 El-tilslutning

#### 3.5.1 Generelle anvisninger



**ADVARSEL**

#### Livsfare på grund af høj spænding!

Berøring af elektriske dele, der er under spænding, kan medføre elektrisk stød.

- ▶ Afbryd spændingsforsyningen på alle poler på elektriske dele (sikring, LS-kontakt) før arbejdet, og foretag sikring mod utilsigtet tilkobling.
- ▶ Arbejder på det elektriske anlæg må kun udføres af en autoriseret elektriker.
- ▶ Udfør beskyttelsesforanstaltninger i henhold til de lokale bestemmelser.
- ▶ I tilfælde af en aktuel sikkerhedsrisiko ved netspændingen eller kortslutning under monteringen skal driftslederen underrettes skriftligt, og apparaterne må ikke monteres, før problemet er afhjulpet.
- ▶ Alle el-tilslutninger skal udføres i henhold til det elektriske tilslutningsskema.
- ▶ Kabelisoleringen må kun skæres med specialværktøj.
- ▶ Tilslut ikke flere forbrugenheder til kedlens nettilslutning.
- ▶ Byt ikke om på fase og nulleleder. Dette kan føre til funktionsfejl.
- ▶ Ved en fast nettilslutning skal der monteres en overspændingssikring og en skilleafbryder, der er dimensioneret til det 1,5-dobbelte af apparatets maksimale effektforbrug.

#### 3.5.2 Tilslutning af indendørsenhed

Indendørsenheden tilsluttes til den udvendige enhed via et 4-leders kommunikationskabel af typen H07RN-F. Kommunikationskablets ledertværsnit skal udgøre mindst 1,5 mm<sup>2</sup>.


**BEMÆRK**

#### Materielle skader på grund af forkert tilsluttet indendørsenhed

Indendørsenheden forsynes med spænding via den udvendige enhed.

- ▶ Slut kun indendørsenheden til den udvendige enhed.

For tilslutning af kommunikationskablet:

- ▶ Åbn den øverste og den forreste afdækning.
  - Løsn lukkemekanismerne på den øverste afdækning.
  - Hold den øverste afdækning mod din egen krop, og løft den af.
  - Løsn den forreste afdækning af krogene, og træk den fremad langs med skinnen. (→ fig. 14).
- ▶ Klargør tilslutningskablet [3] til den indvendige enhed (→ fig. 15 til 16).
- ▶ Fjern skruen [4], og tag afdækningen [5] til tilslutningsklemmen af.
- ▶ Åbn en kabelgennemføring på bagsiden af indendørsenheden, og før kablet igennem.
- ▶ Tilslut kablet på klemmerne N, 1, 2.
- ▶ Tilslut beskyttelsesleder [2] på .
- ▶ Notér ledernes tildeling til tilslutningsklemmerne.
- ▶ Fastgør afdækningen over slutteklemmen igen.
- ▶ Fastgør den øverste og den forreste afdækning igen.
- ▶ Før kablet hen til den udvendige enhed.

#### 3.5.3 Tilslutning af udvendig enhed

På den udvendige enhed tilsluttes et strømkabel (3-leder) og kommunikationskablet til indendørsenheden (4-leder). Anvend kabel af typen H07RN-F med tilstrækkeligt ledertværsnit, og sikr nettilslutningen med en sikring (→ tabel 7).

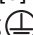

Udvendig enhed	Netsikring	Ledertværsnit	
		Strømkabel	Kommunikationskabel
Alle typer	16 A	≥ 1,5 mm <sup>2</sup>	≥ 1,5 mm <sup>2</sup>

Tab. 7

- ▶ Klargøring af strømkablets ende (→ fig. 17).
- ▶ Klargøring af kommunikationskablets ende (→ fig. 18).
- ▶ Fjern afdækningerne [3+6] på strømtilslutningen (→ fig. 19).



Type CLC6101i... har kun en udvendig afdækning [3].

- ▶ Sikr strømkablet [2] og kommunikationskablet [1] ved trækafastningen [4]. Læg det medfølgende indlæg [5] imellem ved behov.
- ▶ Tilslut strømkablet ved klemmerne L, 1 og .
- ▶ Sikr kommunikationskablet ved klemmerne N, 1, 2 og  (ledernes tildeling til tilslutningsklemmerne svarer til tildelingen ved indendørsenheden).
- ▶ Fastgør afdækningerne igen.

## 4 Opstart

### 4.1 Tjekliste til opstart

1	Udvendig enhed og indendørsenhed er monteret korrekt.	
2	Rørene er <ul style="list-style-type: none"> <li>• tilsluttet korrekt,</li> <li>• isoleret korrekt,</li> <li>• kontrolleret for tæthed.</li> </ul>	
3	Der er etableret et korrekt kondensatudløb, der er blevet afprøvet.	
4	El-tilslutningen er udført korrekt. <ul style="list-style-type: none"> <li>• Strømforsyningen er inden for det normale område</li> <li>• Beskyttelseslederen er anbragt korrekt</li> <li>• Tilslutningskablet er anbragt fast på klemrækken</li> </ul>	
5	Alle afdækninger er anbragt og fastgjort.	
6	Luftledepladen til indendørsenheden er monteret korrekt, og servodrevet er sat på plads.	

Tab. 8

### 4.2 Funktionstest

Efter udført montering med tæthedskontrol og elektrisk tilslutning kan systemet afprøves:

- ▶ Etabler strømforsyning.
- ▶ Tænd for indendørsenheden med fjernbetjeningen.
- ▶ Hold knappen **ON/OFF** [1] nede i 5 sekunder for at indstille køledriften (→ fig. 20)  
Der lyder et bip, og driftslampen lyser.
- ▶ Test køledriften i 5 minutter.
- ▶ Sørg for at luftledepladen [2] kan bevæge sig frit.

Fejlkode	Mulig årsag
00 – 0	Normal funktion
01 – ...	Kortslutning på den udvendige enheds termistor
02 – ...	Fejl pga. for høj temperatur i kompressor eller varmeveksler
03 – 0	Udvendig enhed er kortvarigt frakoblet for at beskytte den.
05 – ...	Brudt strømkreds på den udvendige enheds termistor
06 – ...	Overbelastning pga. for lidt kølemiddel eller blokeret luftind-/udgang. Fejl på IPM-modul eller overstrømsbeskyttelse på den udvendige enheds hovedprintkort.
07 – ...	
09 – ...	Fejl på termistor eller 4-vejs-ventil eller for lidt kølemiddel.
10 – ...	Parameterfejl i den udvendige enheds EEPROM
11 – ...	Fejl på den udvendige enheds blæser
13 – ...	Fejl på kompressor ved start eller drift
14 – ...	Fejl ved impulsamplitude-modulering
17 – ...	Forkert el-tilslutning af apparater med brudt strømkreds
18 – ...	Forkert el-tilslutning af apparater med kortslutning
19 – ...	Fejl på indendørsenhedens blæser
20 – ...	Parameterfejl i indendørsenhedens EEPROM
24 – ...	Kommunikationsfejl på indendørsenheden med WLAN
26 – ...	Fejl en termistor i indendørsenheden

Tab. 9

- ▶ Vælg varmedrift på fjernbetjeningen.
- ▶ Test varmedriften i 5 minutter.
- ▶ Tryk igen på knappen **ON/OFF** for at afslutte driften.

### 4.3 Overdragelse til brugeren

- ▶ Når systemet er sat op, skal installationsvejledningen overdrages til kunden.
- ▶ Forklar kunden, hvordan systemet betjenes, ved hjælp af betjeningsvejledningen.
- ▶ Anbefal kunden at læse betjeningsvejledningen omhyggeligt.

## 5 Fejlafhjælpning

### 5.1 Fejl med visning





#### ADVARSEL

#### Livsfare på grund af høj spænding!

Berøring af elektriske dele, der er under spænding, kan medføre elektrisk stød.

- ▶ Afbryd spændingsforsyningen på alle poler på elektriske dele (sikring, LS-kontakt) før arbejdet, og foretag sikring mod utilsigtet tilkobling.

En fejl på apparatet kan også signaliseres ved at følgende indikatorlamper blinker efter hinanden:

- Driftslampe  (grøn)
- Timer-lampe  (orange)
- Plasmacluster-lampe (blå)

Antallet af blinktegn angiver fejlkodens tal.

For eksempel blinker den grønne lampe 2 gange, derefter den orange lampe 3 gange og den blå lampe 4 gange ved fejl **23 – 4**. Alternativt kan fejlkoden aflæses via fjernbetjeningen → betjeningsvejledning.

Hvis en fejl optræder i mere end 10 minutter:

- ▶ Afbryd strømforsyningen i kort tid, og tænd for indendørsenheden igen.

Hvis fejlen ikke kan afhjælpes:

- ▶ Ring til kundeservice, og meddel fejlen og apparatets data.

## 5.2 Fejl uden visning

Fejl	Mulig årsag	Afhjælpning
Indendørsenhedens ydelse er for lav.	Varmeveksler til udvendig enhed eller indendørsenhed er tilsmudset.	► Rengør varmeveksler til udvendig enhed eller indendørsenhed.
	For lidt kølemiddel	► Kontrollér rørene for tæthed, og foretag ny tætning ved behov. ► Efterfyld kølemiddel.
Den udvendige enhed og indendørsenheden fungerer ikke.	Ingen strøm	► Kontrollér strømtilslutningen. ► Tænd for indendørsenheden.
	En sikring er udløst.	► Kontrollér strømtilslutningen. ► Udskift sikringen.
Den udvendige enhed eller indendørsenheden starter og stopper uafbrudt.	Der er for lidt kølemiddel i systemet.	► Kontrollér rørene for tæthed, og foretag ny tætning ved behov. ► Efterfyld kølemiddel.
	Der er for meget kølemiddel i systemet.	Aftap kølemiddel med et apparat til genindvinding af kølemiddel.
	Fugt eller urenheder i kølemiddelkredsen.	► Tøm kølemiddelkredsen. ► Påfyld nyt kølemiddel.
	For store spændingsvariationer.	► Installér spændingsregulatoren.
	Kompressor er defekt.	► Udskift kompressoren.

Tab. 10

## 6 Miljøbeskyttelse og bortskaffelse

Miljøbeskyttelse er et virksomhedsprincip for Bosch-gruppen. Produkternes kvalitet, økonomi og miljøbeskyttelse har samme høje prioritet hos os. Love og forskrifter til miljøbeskyttelse overholdes nøje. For beskyttelse af miljøet anvender vi den bedst mulige teknik og de bedste materialer og fokuserer hele tiden på god økonomi.

### Emballage

Med hensyn til emballagen deltager vi i de enkelte landes genbrugssystemer, som garanterer optimal recycling. Alle emballagematerialer er miljøvenlige og kan genbruges.

### Udtjente apparater

Udtjente apparater indeholder materialer, som kan genanvendes. Komponenterne er lette at skille ad. Plastmaterialerne er mærkede. Dermed kan de forskellige komponenter sorteres og genanvendes eller bortskaffelse.

### Udtjente elektro- og elektronikprodukter



Dette symbol betyder, at produktet ikke må bortskaffes sammen med andet affald, men skal bringes til affaldsindsamlingsstedet til behandling, indsamling, genanvendelse og bortskaffelse.

Symbolet gælder for lande med regler for elektronisk affald, f.eks. "Europæisk direktiv 2012/19 / EF om affald af elektrisk og elektronisk udstyr". Disse regler definerer de generelle betingelser, der gælder for retur og genbrug af gamle elektroniske enheder i de enkelte lande.

Da elektroniske apparater kan indeholde farlige stoffer, skal de genanvendes ansvarligt for at minimere mulige miljøskader og farer for menneskers sundhed. Derudover bidrager genanvendelse af elektronisk affald med at bevare naturressourcer.

For mere information om miljøvenlig bortskaffelse af elektrisk og elektronisk udstyr, bedes du kontakte de ansvarlige lokale myndigheder, dit affaldsaffalds firma eller den forhandler, hvor du købte produktet.

Yderligere informationer findes her:

[www.weee.bosch-thermotechnology.com](http://www.weee.bosch-thermotechnology.com)

### Batterier

Batterier må ikke bortskaffes som almindeligt affald. Brugte batterier skal bortskaffes ved de lokale indsamlingssystemer.

### Kølemiddel R32



Apparatet indeholder fluorholdig drivhusgas R32 (drivhuspotentiale 675<sup>1)</sup>) med lav brændbarhed og lav giftighed (A2L eller A2).

Den indeholdte mængde er angivet på den udvendige enheds typeskilt.

Kølemiddel er til fare for miljøet og skal indsamles og bortskaffes separat.

## 7 Bemærkning om databeskyttelse



Vi, **Robert Bosch A/S, Telegrafvej 1, 2750 Ballerup, Danmark** behandler oplysninger om produkt og montering foruden tekniske data og forbindelsesdata, kommunikationsdata samt produktregistrerings- og kundehistorikdata for at give produktfunktionalitet (art. 6 pgf. 1 nr. 1 b GDPR), for at opfylde vores forpligtelse hvad angår produktovervågning, og grundet produktsikkerhed (GDPR, art. 6 pgf. 1 nr. 1 f), for at sikre vores rettigheder i forbindelse med spørgsmål vedrørende garanti og produktregistrering (GDPR, art. 6 pgf. 1 nr. 1 f) og for at analysere distributionen af vores produkter, og for at tilbyde individualiserede oplysninger og tilbud relateret til produktet (GDPR, art. 6 pgf. 1 nr. 1 f). For at tilbyde tjenester såsom salgs- og markedsførings tjenester, kontraktstyring, betalingshåndtering, programmering, dataopbevaring og hotline-tjenester, kan vi hyre eksterne serviceudbydere og/eller Bosch-partnerselskaber, og overføre data til disse. I nogle tilfælde, men kun når der er sørget for passende databeskyttelse, kan persondata overføres til modtageren udenfor Det Europæiske Økonomiske Samarbejdsområde. Yderligere oplysninger gives efter forespørgsel. De kan kontakte vores databeskyttelsesansvarlige ved at kontakte: Data Protection Officer, Information Security and Privacy (C/ISP), Robert Bosch GmbH, Postfach 30 02 20, 70442 Stuttgart, TYSKLAND.

De er til enhver tid berettiget til at modsætte Dem behandlingen af Deres personoplysninger baseret på GDPR art. 6 pgf. 1 nr. 1 f efter grunde relateret til Deres egen situation eller til direkte markedsføringsformål. For at udøve Deres rettigheder, bedes De kontakte os via **DPO@bosch.com**. Følg venligst QR-koden for yderligere oplysninger.

1) på grundlag af bilag II i forordning (EU) nr. 517/2014 fra Det Europæiske Parlament og Rådet af 16. april 2014.

## Sisällysluettelo

<b>1</b>	<b>Symbolien selitykset ja turvaohjeet</b>	<b>16</b>
1.1	Symbolien selitykset	16
1.2	Yleiset turvallisuusohjeet	16
1.3	Tietoa tästä käyttöohjeesta	17
<b>2</b>	<b>Tuotteen tiedot</b>	<b>17</b>
2.1	Vaatimustenmukaisuusvakuutus	17
2.2	Radiolaitteita koskeva yksinkertaistettu EU-vaatimustenmukaisuusvakuutus	17
2.3	Toimituksen sisältö	17
2.4	Mitat ja vähimmäisetäisyydet	17
2.4.1	Sisäyksikkö ja ulkoyksikkö	17
2.4.2	Kylmäainejohdot	17
<b>3</b>	<b>Asennus</b>	<b>18</b>
3.1	Ennen asennusta	18
3.2	Asennuspaikalle asetetut vaatimukset	18
3.3	Laitteen asennus	18
3.3.1	Sisäyksikön asennus	18
3.3.2	Ulkoyksikön asennus	19
3.4	Putkiliitäntä	19
3.4.1	Kylmäaineputkien asennus sisä- ja ulkoyksikköön	19
3.4.2	Lauhvedenpoiston liittäminen sisäyksikköön	19
3.4.3	Tiiviystesti ja laitteiston täyttäminen	19
3.5	Sähköliitäntä	20
3.5.1	Yleisiä ohjeita	20
3.5.2	Sisäyksikön liittäminen	20
3.5.3	Ulkoyksikön liittäminen	20
<b>4</b>	<b>Käyttöönotto</b>	<b>20</b>
4.1	Käyttöönoton tarkastuslista	20
4.2	Toimintotesti	21
4.3	Luovutus tilaajalle	21
<b>5</b>	<b>Häiriön korjaus</b>	<b>21</b>
5.1	Häiriöt ja ilmoitukset	21
5.2	Häiriöt ilman näyttöä	21
<b>6</b>	<b>Ympäristönsuojelu ja tuotteen hävittäminen</b>	<b>22</b>
<b>7</b>	<b>Tietosuojaseloste</b>	<b>22</b>

## 1 Symbolien selitykset ja turvaohjeet

### 1.1 Symbolien selitykset

#### Varoitukset

Varoitusten alussa käytettävät signaalisanat osoittavat seurauksena olevan riskin tyyppin ja vakavuuden, jos vaaran vähentämistä koskevia toimenpiteitä ei tehdä.

Seuraavat signaalisanat ovat määriteltyjä ja niitä voidaan käyttää tässä asiakirjassa:



**VAARA** osoittaa, että seurauksena on vakava tai hengenvaarallinen henkilövahinko.



**VAROITUS** osoittaa, että seurauksena saattaa olla vakava tai hengenvaarallinen henkilövahinko.



**HUOMIO** osoittaa, että seurauksena voi olla vähäinen tai kohtalainen henkilövahinko.




#### HUOMAUTUS

**HUOMAUTUS** osoittaa, että seurauksena saattaa olla aineellinen vahinko.

#### Tärkeät tiedot



Tärkeät tiedot ilman henkilövaaroja ja aineellisia vaaroja on merkitty näytetyllä info-symbolilla.

Symboli	Merkitys
	Varoitus syttyvistä aineista: Tämän tuotteen kylmäaine R32 on kaasu, joka kuuluu alhaisempaan syttyvyysluokkaan ja joka on lievemmin myrkyllistä (A2L tai A2).
	Huoltotyöt pitäisi antaa ammattilaisen tehtäväksi huolto-ohjeen ohjeet huomioiden.
	Huomio käytön yhteydessä käyttöohjeiden ohjeet.

Taul. 1

### 1.2 Yleiset turvallisuusohjeet

#### Ohjeita kohderyhmälle

Tämä käyttöohje on tarkoitettu jäähdytys- ja ilmastointitekniikan ammattilaisten ja sähköasentajien käyttöön. Kaikkien laitteiston kannalta tärkeiden ohjeiden ohjeista on pidettävä kiinni. Ohjeiden noudattamatta jättäminen voi aiheuttaa aineellisia vahinkoja, loukkaantumisia tai jopa hengenvaaran.



- ▶ Lue kaikkien laitteiston komponenttien asennusohjeet ennen asennusta.
- ▶ Noudata turvallisuus- ja varoitusohjeita.
- ▶ Noudata kansallisia ja alueellisia määräyksiä, teknisiä sääntöjä ja direktiivejä.
- ▶ Dokumentoi suoritettut työt.

### **⚠ Määräystenmukainen käyttö**

Laitetta ei ole tarkoitettu ammatilliseen käyttöön. Laitteen asiaton käyttö ja siitä aiheutuvat vahingot eivät kuulu takuun piiriin.

### **⚠ Kylmäaineen aiheuttamat yleiset vaarat**

- ▶ Tämä laite on täytetty kylmäaineella R32. Kylmäaine voi muodostaa myrkyllisiä kaasuja joutuessaan kosketuksiin tulen kanssa.
- ▶ Jos kylmäainetta vuotaa ulos asennuksen aikana, tuuleta tila perusteellisesti.
- ▶ Tarkasta laitteiston tiiviys asennuksen jälkeen.
- ▶ Kylmäainekierrossa ei saa käyttää muita kuin ilmoitettuja kylmäaineita (R32).

### **⚠ Sähkölaitteiden turvallisuus kotitalouskäytössä ja muussa vastaavassa käytössä**

Sähkölaitteiden aiheuttamien vaarojen välttämiseksi pätevät EN 60335-1:n mukaan seuraavat määräykset:

“Tätä laitetta voi käyttää 8-vuotiaat ja sitä vanhemmat lapset sekä henkilöt, joiden fyysiset, sensoriset tai mentaaliset kyvyt ovat heikentyneitä tai joilta puuttuu laitteen käyttämiseen vaadittava kokemus ja tieto, jos he käyttävät laitetta valvonnan alaisena tai heitä on opastettu käyttämään laitetta turvallisesti ja he pystyvät ymmärtämään laitteen käytön aiheuttamat vaarat. Lapset eivät saa leikkiä laitteella. Lapset eivät saa puhdistaa laitetta eivätkä suorittaa käyttäjän huoltoa ilman valvontaa.”

“Jos verkkokaapeli vaurioituu, valmistajan tai sen huoltopalvelun tai vastaavasti koulutetun henkilön pitää vaihtaa se vaarojen välttämiseksi.”

### **⚠ Luovutus tilaajalle**

Opasta toiminnanharjoittajaa luovutuksen yhteydessä ilmastointilaitteen käytöstä ja käyttöedellytyksistä.

- ▶ Selitä käyttö - käsittele tällöin erityisesti turvallisuudelle tärkeät toiminnot.
- ▶ Kiinnitä huomio erityisesti seuraaviin kohtiin:
  - Muutos- ja kunnossapitotyöt saa suorittaa vain valtuutettu alaan erikoistunut yritys.
  - Laite on tarkastettava ja puhdistettava ja huolettava tarpeen mukaan vähintään kerran

vuodessa, jotta asianmukainen käyttö ja ympäristöystävällisyys voitaisiin taata.

- ▶ Esitä mahdolliset seuraukset (henkilövahingot ja jopa kuolemanvaara tai aineelliset vauriot), jos laitteen tarkastus, puhdistus tai huolto laiminlyödään.
- ▶ Luovuta asennus- ja käyttöohjeet tilaajalle säilytettäväksi.

### **1.3 Tietoa tästä käyttöohjeesta**


Kuvat on esitetty yhdessä tämän ohjeen lopussa. Tekstissä on linkkejä kuviin.

Tuotteet voivat poiketa tässä ohjeessa esitetyistä tuotteista aina mallin mukaan.

## **2 Tuotteen tiedot**

### **2.1 Vaatimustenmukaisuusvakuutus**

Tämän tuotteen suunnittelu ja käyttö noudattavat Eurooppalaisia direktiivejä ja täydentäviä kansallisia vaatimuksia.

 Tämä liitetty CE-merkintä ilmaisee, että tuote noudattaa kaikkia sovellettavia EU:n lakeja.

EU-vaatimustenmukaisuusvakuutuksen koko teksti on saatavilla seuraavasta Internet-osoitteesta: [www.bosch.fi](http://www.bosch.fi).

### **2.2 Radiolaitteita koskeva yksinkertaistettu EU-vaatimustenmukaisuusvakuutus**

Täten Bosch Thermotechnik GmbH vakuuttaa, että tässä ohjeessa kuvattu tuote Climate Class 6100i/8100i vastaa direktiivin 2014/53/ EU mukaista radiolaiteteknologiaa.

EU-vaatimustenmukaisuusvakuutuksen täydellinen teksti löytyy Internetistä, ks.: [www.bosch.fi](http://www.bosch.fi).

### **2.3 Toimituksen sisältö**

#### **Kuvan 1 selitys:**

- [1] Ulkoyksikkö (täytetty kylmäaineella)
- [2] Sisäyksikkö (täytetty tyypellä)
- [3] Asennuslevy
- [4] Peilipelti (vain värillisiin malleihin CLC8101i... T/S/R)<sup>1)</sup>
- [5] Liittimen suojus ruuvilla
- [6] Pattereilla toimiva kauko-ohjain
- [7] Tuotedokumenttien painettu asiakirjasarja
- [8] Kiinnitysmateriaali (7 pitkä ruuvia, 1 erikoisruuvi kauko-ohjaimen kiinnitykseen ja 8 tulppaa)
- [9] Levy (kaapelien kiinnitykseen vedonpoiston yhteydessä)

### **2.4 Mitat ja vähimmäisetäisyydet**

#### **2.4.1 Sisäyksikkö ja ulkoyksikkö**

Kuva 2

- [1] Tulppa (toimituksen sisältö)
- [2] Erikoisruuvi (toimituksen sisältö)

A Malli CLC8101i...

B Malli CLC6101i...

#### **2.4.2 Kylmäainejohdot**

#### **Kuvan 3 selitys:**

- [1] Kaasupuolen putki
- [2] Nestepuolen putki
- [3] Sifoninmuotoinen kaari öljynerottimena

1) Peilipeltien kiinnitys →kuva 10



Jos ulkoyksikkö sijoitetaan korkeammalle kuin sisäyksikkö, tee kaasupuolella vähintään 6 metrin päähän sifoninmuotoinen kaari ja aina 6 metrin välein toinen sifoninmuotoinen kaari (→ kuva 3, [1]).

- ▶ Pidä kiinni maksimista korkeuserosta sisä- ja ulkoyksikön välillä.

	Putken maksimipituus <sup>1)</sup> [m]	Maksimi korkeusero [m]
Kaikki mallit	≤ 15	≤ 10

1) Kaasupuoli tai nestepuoli

Taul. 2 Putken pituus ja korkeusero

Laitetyyppi	Putken halkaisija	
	Nestepuoli [mm]	Kaasupuoli [mm]
Kaikki mallit	6,35 (1/4")	9,53 (3/8")

Taul. 3 Putken halkaisija laitemallista riippuen

Putken halkaisija [mm]	Vaihtoehtoinen putken halkaisija [mm]
6,35 (1/4")	6
9,53 (3/8")	10

Taul. 4 Vaihtoehtoinen putken halkaisija

Putkien spesifikaatio	
Min. putkijohdon pituus	3 m
Vakio putkijohdon pituus	5 m
Lisä kylmäaine, jos putkijohdon pituus on yli 7,5 m (nestepuoli)	CLC6101i...: 15 g/m CLC8101i...: 0 g/m
Putken vahvuus, kun putken halkaisija on 6,35 mm - 12,7 mm	≥ 0,8 mm
Paksu lämpösuojus	≥ 6 mm
Lämpösuojuksen materiaali	Polyeteeni-vaahtomuovi

Taul. 5



Putkijohdon pituus ilman ylimääräistä kylmäainetta on 7,5 m. Jos putkijohto on pidempi, kylmäainetta lisätään aina putken pituuden mukaan. Tällöin maksimi täyttömäärä on 1100 g.

## 3 Asennus

### 3.1 Ennen asennusta



#### HUOMIO

**Terävät reunat voivat aiheuttaa loukkaantumisia!**

- ▶ Käytä suojakäsineitä asennuksen yhteydessä.



#### HUOMIO

**Palovammojen vaara!**

Putkijohdot kuumenevat erittäin kuumiksi käytön aikana.

- ▶ Varmista, että putkijohdot ovat jäähtyneet, ennen kuin kosketat niitä.
- ▶ Tarkasta, että toimitettu tuote on vahingoittumaton.
- ▶ Tarkasta, kuuluuko ennen sisäyksikön putkien avaamista alipaineen aiheuttamaa suhinaa.

### 3.2 Asennuspaikalle asetetut vaatimukset

- ▶ Pidä kiinni vähimmäisetäisyyksistä (→ kuva 4).

#### HUOMAUTUS

#### Lumi voi vaurioittaa laitteita!

Ulkoyksikön alle kerääntyvä lumi voi vaikuttaa laitteen toimintaan ja vaurioittaa laitetta. Jos lumi tukkii lauhteen ulostulon, muodostuu tähän kohtaan jäätä, joka vaurioittaa yksikköä.

- ▶ Varmista, että ulkoyksikön lauhdeveden ulostulo on aina vapaana ja vesi pääsee virtaamaan ulos esteitä.
- ▶ Varmista, että lämmityskäyttöä ja sulamistoimintoa varten, että lumen ja ulkoyksikön välillä on vähintään 250 mm etäisyyttä.

#### Sisäyksikkö

- ▶ Älä asenna sisäyksikköä tilaan, jossa on avoimia sytytyslähteitä (esim. avotuli, toiminnassa oleva kaasulaite tai sähkölämmitin).
- ▶ Laitteen voi asentaa tilaan, jonka peruspinta-ala on 4 m<sup>2</sup>, mikäli asennuskorkeus on vähintään 2,5 m. Jos asennuskorkeus on matalampi, lattiapinta-alan pitää olla vastaavasti suurempi.
- ▶ Asennuspaikka ei saa olla yli 2000 m korkealla merenpinnasta.
- ▶ Ilman sisään- ja ulostulossa ei saa olla esteitä, jotta ilma voi kiertää esteittä. Muutoin teho saattaa heikentyä ja melutaso nousta.
- ▶ Pidä televisiota, radiota ja muita vastaavia laitteita vähintään 1 m etäisyydellä laitteesta ja kauko-ohjaimesta.
- ▶ Valitse sisäyksikön asennukseen seinä, joka vaimentaa värinää.

#### Ulkoyksikkö

- ▶ Älä altista ulkoyksikköä koneöljyn höyrylle, rikkikaasulle jne.
- ▶ Älä asenna ulkoyksikköä suoraan veden äärelle tai altista sitä merituulelle.
- ▶ Ulkoyksikössä ei koskaan saa olla lunta.
- ▶ Poistoilma tai käyttöäänät eivät saa aiheuttaa häiriöitä.
- ▶ Ilman pitää kiertää hyvin ulkoyksikössä, mutta laitetta ei saa altistaa kovalle tuulelle.
- ▶ Käytössä syntyvän lauhdeveden pitää päästä virtaamaan ulos ongelmitta. Jos tarpeellista, vedä poistoletku. Kylmillä alueilla ei suosittelua poistoletkun käyttöä, koska se voi jäättyä
- ▶ Aseta ulkoyksikkö tasaiselle alustalle.

### 3.3 Laitteen asennus

#### HUOMAUTUS

**Vääränlainen asennus aiheuttaa materiaalisia vahinkoja!**

Vääränlainen asennus voi aiheuttaa laitteen putoamisen seinältä.

- ▶ Asenna laite vain kiinteään ja tasaiseen seinään. Seinän pitää pystyä kantamaan laitteen paino.
- ▶ Käytä vain seinätyyppiä ja laitteen painoa vastaavia ruuveja ja tulppia.

#### 3.3.1 Sisäyksikön asennus

- ▶ Avaa pakkaus ja poista sisäyksikkö.
- ▶ Aseta sisäyksikkö pakkauksen muoto-osat eteenpäin.
- ▶ Poista asennuslevy sisäyksikön takasivulta.
- ▶ Määritä asennuspaikka etäisyydet huomioiden (→ kuva 2).
- ▶ Kiinnitä asennuslevy seinään ruuvilla ja tulpalla keskimmäisen reiän lävitse jo kohdistaa se vaakasuoraan (→ kuva 4, [1]).
- ▶ Kiinnitä asennuslevy tämän jälkeen kuudella ruuvilla ja tulpalla siten, että asennuslevy nojaa seinää vasten.
- ▶ Pora seinän läpivienti putkitusta varten (suositeltava sijainti sisäyksikön takana → kuva 5).



Merkinnät [1] ovat porausta varten.

- ▶ Muuta tarvittaessa lauhdeveden ulostulon paikkaa (→ kuva 6).



Putkien ruuvaukset ovat tavallisesti sisäyksikön takasivulla. Suosittelemme, että putkia jatketaan jo ennen sisäyksikön asentamista seinään.

- ▶ Toteuta putkiliitokset kuten kappaleessa 3.4 on kuvattu.

- ▶ Taivuta putket tarvittaessa toivottuun suuntaan ja puhkaise reikä sivulle tai alas peitelevyyn (→ kuva 8).
- ▶ Ohjaa putket seinän lävitse ja ripusta sisäyksikkö asennuslevyyn (→ kuva 9).
- ▶ Värillisiin malleihin CLC8101i... T/S/R löytyy lisäksi peilipeltejä, jotka pitää kiinnittää vastaaviin kohtiin (→ kuva 10, [2]).
  - Määritä peilipeltien sijainti.<sup>1)</sup>
  - Poista liimanauha.
  - Sovita peilipellit valmiisiin peilipelteihin [1].

Jos sisäyksikkö pitää poistaa asennuslevystä:

- ▶ Paina sisäyksikön alaosaa merkintöjä ja vedä sisäyksikkö eteen (→ kuva 11,[1]).



Värillisissä malleissa CLC8101i... T/S/R näitä merkintöjä ei näy, koska tähän kohtaan on sijoitettu peililevy. Mutta tästä huolimatta sisäyksikön voi poistaa seinästä tällä tavalla painamalla vastaavasta kohdasta.

### 3.3.2 Ulkoyksikön asennus

- ▶ Kohdista pahrilaatikko ylös.
- ▶ Leikkaa kiinnitysnauhat ja poista ne.
- ▶ Vedä pahrilaatikko yläkautta ulos ja poista pakkaus.
- ▶ Valmistele asennustavan mukaan seinä- tai jalkakonsoli ja asenna se paikalleen.
- ▶ Asenna tai ripusta ulkoyksikkö paikalleen, käytä samalla mukana toimitettuja tai asennuspaikan tärinänvaimentimia jaloissa.

1) aina putkien sijainnin mukaan tarvitaan kaikki 4 peilipeltiä tai vain 3 kappaletta.

Putken ulkohalkaisija Ø [mm]	Vääntömomentti [Nm]	Laipoitetun aukon halkaisija (A) [mm]	Laipoitettu putkenpää	Esi-asennettu laippamutterikierre
6,35 (1/4")	18-20	8,4-8,7		1/4"
9,53 (3/8")	32-39	13,2-13,5		3/8"

Taul. 6 Putkiliitosten ominaistiedot

### 3.4.2 Lauhdevedenpoiston liittäminen sisäyksikköön

Sisäyksikön lauhdevesiallas on varustettu kahdella liitännällä. Tehtaalla on asennettu valmiiksi lauhdevesiletku ja tulppa, jotka voidaan vaihtaa (→ kuva 6).

- ▶ Vedä lauhdeputki kaltevaksi.

### 3.4.3 Tiiviystesti ja laitteiston täyttäminen

#### Tiiviiden tarkastus

Noudata tiiviystestissä paikallisia ja maakohtaisia määräyksiä.

- ▶ Poista suojukset kolmesta venttiilistä (→ kuva 13, [1], [2] ja [3]).
- ▶ Liitä Schrader-venttiiliin avaaja [6] ja painemittari [4] Schrader-venttiiliin [1].
- ▶ Kierrä Schrader-venttiiliin avaajaa ja avaa Schrader-venttiili [1].
- ▶ Jätä venttiilit [2] ja [3] suljettuiksi ja lisää laitteistoon typpeä niin paljon, että paine 10 % ylittää nimellispaineen 42,5 bar.

- ▶ Varmista asennuspaikan lauhdeveden poisto.
- ▶ Poista putkiliitännöjen suojus (→ kuva 12).
- ▶ Toteuta putkiliitokset kuten kappaleessa 3.4 on kuvattu.
- ▶ Asenna putkiliitännöjen suojus takaisin.

## 3.4 Putkiliitäntä

### 3.4.1 Kylmäaineputkien asennus sisä- ja ulkoyksikköön



#### HUOMIO

#### Epätiivit liitokset aiheuttava kylmäainevuotoja

Kylmäainetta vuotaa ulos, jos putkiliitokset eivät ole tiiviitä.

- ▶ Kun käytät uudestaan laippaliitoksia, valmista laippaosa aina uudestaan.



Kupariputkia on saatavilla metreinä ja tuumina, mutta laippamutterikerieet ovat samoja. Sisä- ja ulkoyksikön laipparuuvaukset on tehty tuumamitoille.

- ▶ Käytettäessä metrisiä kupariputkia vaihda laippamutteri sopivalla läpimitalla varustettuihin muttereihin (→ taulukko 6).

- ▶ Määritä putken halkaisija ja pituus (→ sivu 17).
- ▶ Leikkaa putki sopivaksi putkileikkurilla (→ kuva 7).
- ▶ Poista jäyste putken päiden sisältä ja koputtele lastut ulos.
- ▶ Liitä mutterin putkeen.
- ▶ Laajenna putkea laippakuvulla taulukon 6 mittaan. Mutteria pitää voida työntää helposti reunaan mutta ei sen yli.
- ▶ Liitä putki ja kiristä ruuvaus taulukossa 6 ilmoitettuun kiristysarvoon.
- ▶ Toista sama toisen putken kohdalla.

#### HUOMAUTUS

#### Lämmönsiirto kylmäaineputkien välillä pienentää hyötysuhdetta

- ▶ Lämpöeristä jäähdytysaineputket erikseen toisistaan.

- ▶ Asenna ja kiinnitä putkien eriste.

- ▶ Tarkasta, onko paine pysynyt samana 10 minuutin ajan.
- ▶ Päästä typpeä niin paljon sisään, että nimellispaine saavutetaan.
- ▶ Tarkasta, onko paine pysynyt samana vähintään 1 tunnin ajan.
- ▶ Päästä typpi ulos.

#### Laitteiston täyttö

#### HUOMAUTUS

#### Väärä kylmäaine aiheuttaa toimintahäiriöitä

Ulkoyksikkö on täytetty tehtaalla kylmäaineella R32.

- ▶ Jos kylmäainetta pitää lisätä, käytä vain samaa kylmäainetta. Älä sekoita erityyppisiä kylmäaineita keskenään.

- ▶ Tyhjennä laitteisto tyhjiöpumpulla (→ kuva 13, [5]) vähintään 30 minuutin ajaksi ja kuivaa sitä, kunnes n. -1 bar (tai n. 500 mikronia) on saavutettu.

- ▶ Avaa ylempi venttiili [3] (nestepuoli).
- ▶ Tarkasta painemittarilla [4], onko läpivirtaus vapaa.
- ▶ Avaa alempi venttiili [2] (kaasupuoli). Kylmäaine jakautuu laitteistoon.
- ▶ Tarkasta sen jälkeen paineolosuhteet.
- ▶ Kierrä Schrader-venttiilin avaaja [6] irti ja sulje Schrader-venttiili [1].
- ▶ Poista tyhjiöpumppu, painemittari ja Schrader-venttiilin avaaja.
- ▶ Kiinnitä venttiilin suojukset takaisin paikoilleen.
- ▶ Kiinnitä putkiliitäntöjen suojus takaisin ulkoyksikköön.

### 3.5 Sähköliitäntä

#### 3.5.1 Yleisiä ohjeita



#### **VAROITUS**

#### **Sähkövirta aiheuttaa hengenvaaran!**

Jännitteellisten sähköosien koskeminen voi aiheuttaa sähköiskun.

- ▶ Ennen sähköosille tehtäviä töitä: Katkaise jännitteensyöttö siten, että kaikki navat kytkeytyvät irti (sulake/johdonsuojakatkaisija), ja estä tahaton päälle kytkeminen.
- ▶ Sähkötöitä saa tehdä vain valtuutettualan ammattilainen.
- ▶ Huomio maakohtaiset ja kansainväliset suojatoimenpiteet.
- ▶ Jos verkkojännitteessä tai oikosulun yhteydessä on olemassa turvariski asennuksen aikana, ilmoita tästä kirjallisesti toiminnanharjoittajalle äläkä asenna laitteita ennen kuin ongelma on poistettu.
- ▶ Kaikki sähköliitännät on tehtävä sähkökaavion mukaisesti.
- ▶ Leikkaa johtojen eristys vain erikoistyökälulla.
- ▶ Älä liitä muita kuluttajia laitteen verkkoliitäntään.
- ▶ Älä sekoita vaihetta ja neutraalijohdinta keskenään. Tämä voi aiheuttaa toimintahäiriöitä.
- ▶ Jos kyseessä on kiinteä verkkoliitäntä, asenna ylijännitesuoja ja erotuskytkin, joka on suunniteltu laitteen tehonoton 1,5-kertaiseen käyttöön.

#### 3.5.2 Sisäyksikön liittäminen

Sisäyksikkö liitetään 4-säkeisellä tiedonsiirronkaapelilla tyyppiä H07RN-F ulkoyksikköön. Tiedonsiirtokaapelin johtimen poikkileikkauksen pitää olla vähintään 1,5 mm<sup>2</sup>.


#### **HUOMAUTUS**

#### **Väärin liitetty sisäyksikkö aiheuttaa aineellisia vahinkoja**

Sisäyksikköön syötetään jännitettä ulkoyksikön kautta.

- ▶ Sisäyksikön saa liittää vain ulkoyksikköön.

Tiedonsiirtojohtojen liittäminen:

- ▶ Avaa ylempi suojus ja etusuojus.
  - Irrota ylemmän suojuksen sulkimet.
  - Pidä ylempää suojusta omaa kehoa vasten ja nosta sitä.
  - Irrota etusuojus hakasesta ja vedä sitä eteenpäin kiskoa pitkin. (→ kuva 14).
- ▶ Valmistele liitäntäkaapelin pää [3] sisäyksikköä varten (→ kuva 15 kork. 16).
- ▶ Poista ruuvi [4] ja liittimen suojus [5].
- ▶ Puhkaiset kaapelin läpivienti sisäyksikön takasivulta ja vie kaapeli lävitse.
- ▶ Liitä kaapeli liittimiin N, 1, 2.
- ▶ Liitä suojajohdin [2] komponenttiin .
- ▶ Kirjoita ylös johdinten järjestys liittimissä.
- ▶ Kiinnitä kytkentäliittimen suojus takaisin paikalleen.
- ▶ Kiinnitä etusuojus ja ylempisuojus takaisin paikoilleen.
- ▶ Ohjaa kaapeli ulkoyksikköön.

#### 3.5.3 Ulkoyksikön liittäminen

Ulkoyksikköön liitetään virtakaapeli (3-johdinta) ja tiedonsiirtokaapeli (4-johdinta). Käytä H07RN-F-mallista kaapelia, jonka johtimen poikkileikkaus on riittävä ja varmista, että verkkoliitäntä lukituksella (→ taulukko 7).



Ulkoyksikkö	Verkon lukitus	Johdon halkaisijalla	
		Virtakaapeli	Tiedonsiirtokaapeli
Kaikki mallit	16 A	≥ 1,5 mm <sup>2</sup>	≥ 1,5 mm <sup>2</sup>

Taul. 7

- ▶ Valmistele virtakaapelin pää (→ kuva 17).
- ▶ Valmistele tiedonsiirtokaapelin pää (→ kuva 18).
- ▶ Poista suojukset [3+6] sähköliitännästä (→ kuva 19).



Malliin CLC6101i... kuuluu vain ulompi suojus [3].

- ▶ Varmista virtakaapeli [2] ja tiedonsiirtokaapeli [1] vedonpoistoon [4]. Aseta tarvittaessa mukana toimitettu sisäelementti [5] väliin.
- ▶ Liitä virtakaapeli liittimiin N, 1 ja .
- ▶ Liitä tiedonsiirtokaapeli liittimiin N, 1, 2 ja  (johtojen järjestys liittimissä kuten sisäyksikössä).
- ▶ Kiinnitä suojukset takaisin.

## 4 Käyttöönotto

### 4.1 Käyttöönoton tarkastuslista

1	Sisä- ja ulkoyksikkö on asennettu oikein.	
2	Putket on <ul style="list-style-type: none"> <li>• liitetty oikein,</li> <li>• lämpöeristetty,</li> <li>• ja tiiviysi on tarkastettu.</li> </ul>	
3	Lauhteenpoistoaukko on tehty ja testattu.	
4	Sähköliitäntä on tehty oikein. <ul style="list-style-type: none"> <li>• Virransyöttö on normaalialueella</li> <li>• Suojajohdin on kiinnitetty oikein</li> <li>• Liitäntäkaapeli on kiinnitetty pitävästi liitinlistaan</li> </ul>	
5	Kaikki suojukset on paikallaan ja kiinnitettyinä.	
6	Sisäyksikön ilmanohjauslevy on asennettu oikein ja toimilaite on lukittu paikalleen.	

Taul. 8

## 4.2 Toimintotesti

Kun asennus on tehty, järjestelmän voi testata tiivistestillä ja sähköliitännällä:

- ▶ Syötä jännitettä.
- ▶ Kytke sisäyksikkö päälle kauko-ohjaimesta.
- ▶ Pidä painiketta **ON/OFF** [1] 5 sekunnin ajan painettuna jäähdytyskäytön säätämiseksi (→ kuva 20)  
Kuuluu piippausääni ja käyttövalo vilkkuu.
- ▶ Testaa jäähdytyskäyttöä 5 minuutin ajan.
- ▶ Varmista ilmanohjauslevyn [2] liikkumavapaus.
- ▶ Valitse lämmityskäyttö kauko-ohjaimesta.
- ▶ Testaa lämmityskäyttöä 5 minuutin ajan.
- ▶ Paina uudestaan painiketta **ON/OFF** käytön lopettamiseksi.

## 4.3 Luovutus tilaajalle

- ▶ Kun järjestelmä on koottu, luovuta asennusohje asiakkaalle.
- ▶ Selosta asiakkaalle järjestelmän käyttö käyttöohjeen avulla.
- ▶ Pyydä asiakasta säilyttämään käyttöohje huolella.

## 5 Häiriön korjaus

### 5.1 Häiriöt ja ilmoitukset



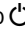
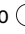
#### VAROITUS

#### Sähkövirta aiheuttaa hengenvaaran!

Jännitteellisten sähköosien koskeminen voi aiheuttaa sähköiskun.

- ▶ Ennen sähköosille tehtäviä töitä: Katkaise jännitteensyöttö siten, että kaikki navat kytkeytyvät irti (sulake/johdonsuojakatkaisija), ja estä tahaton päälle kytkeminen.

Laitteen häiriö voidaan ilmoittaa myös seuraavien valojen peräkkäisellä vilkunnalla:

- Käyttövalo  (vihreä)
- Ajastinvalo  (oranssi)
- Plasmacluster-valo (sininen)

Vilkkumerkkien lukumäärä ilmoittaa häiriökoodin numeron.

Esimerkiksi jos häiriötapauksessa **23 – 4** vihreä valo vilkkuu 2 kertaa, sen jälkeen oranssi valo 3 kertaa ja sininen valo 4 kertaa. Vaihtoehtoisesti häiriökoodin voi hakea kauko-ohjaimella → Käyttöohje.

Jos häiriö kestää kauemmin kuin 10 minuuttia:

- ▶ Keskeytä jännitteensyöttö hetkeksi ja kytke sisäyksikkö takaisin päälle.

Jos häiriötä ei pysty korjaamaan:

- ▶ Soita asiakaspalveluun ja ilmoita häiriökoodi sekä laitetiedot.

Häiriökoodi	Mahdollinen syy
00 – 0	Normaalikäyttö
01 – ...	Ulkoyksikön termistorissa oikosulku
02 – ...	Kompressorin tai lämmönvaihtimen liian korkean lämpötilan aiheuttama häiriö
03 – 0	Ulkoyksikkö on kytketty pois päältä varmuuden vuoksi hetkeksi.
05 – ...	Ulkoyksikön termistorin avoin virtapiiri
06 – ...	Riittämätön kylmäaine tai tukossa oleva ilmanimu/-poisto aiheuttanut ylikuormittumista. Häiriö IPM-moduulissa tai ulkoyksikön pääpiirilevyn ylivirtasuojassa.
07 – ...	
09 – ...	Häiriö termistorissa tai 4-tieventtiilissä tai riittämätön kylmäaine.
10 – ...	Parametrihäiriö ulkoyksikön EEPROMissa
11 – ...	Häiriö ulkoyksikön puhaltimessa
13 – ...	Kompressorissa häiriö käynnistyksen tai käytön yhteydessä
14 – ...	Häiriö impulssi-amplitudimodulaatiossa
17 – ...	Laitteet liitetty väärin sähköliitintään avoimessa virtapiirissä
18 – ...	Laitteet liitetty väärin sähköliitintään oikosululla
19 – ...	Häiriö sisäyksikön puhaltimessa
20 – ...	Sisäyksikön EEPROMin parametrihäiriö
24 – ...	Sisäyksikön tiedonsiirtoyhteydessä häiriö komponentin WLAN kanssa
26 – ...	Häiriö sisäyksikön termistorissa

Taul. 9

## 5.2 Häiriöt ilman näyttöä

Häiriö	Mahdollinen syy	Korjaus
Sisäyksikön teho on liian heikko.	Ulko- ja sisäyksikön lämmönvaihdin on likaantunut.	▶ Puhdista ulko- ja sisäyksikön lämmönvaihdin.
	Liian vähän kylmäainetta	▶ Tarkasta putkien tiiviys, tiivistä ne tarvittaessa. ▶ Lisää kylmäainetta.
Ulko- tai sisäyksikkö ei toimi.	Ei sähköä	▶ Tarkasta sähköliitäntä. ▶ Kytke sisäyksikkö päälle.
	Varoke on palanut.	▶ Tarkasta sähköliitäntä. ▶ Korvaa varoke.

Häiriö	Mahdollinen syy	Korjaus
Ulko- tai sisäyksikkö käynnistyy ja pysähtyy jatkuvasti.	Järjestelmässä on liian vähän kylmäainetta.	<ul style="list-style-type: none"> <li>▶ Tarkasta putkien tiiviys, tiivistä ne tarvittaessa.</li> <li>▶ Lisää kylmäainetta.</li> </ul>
	Liian paljon kylmäainetta järjestelmässä.	Poista kylmäainetta laitteella kylmäaineen takaisinkierrätykseen.
	Kylmäainekierrossa on kosteutta tai epäpuhtauksia.	<ul style="list-style-type: none"> <li>▶ Tyhjennä kylmäainekierto.</li> <li>▶ Lisää uutta kylmäainetta.</li> </ul>
	Liian suuria jännitteen heilahduksia.	▶ Asenna jännitteensäädin.
	Kompressori on viallinen.	▶ Vaihda kompressori.

Taul. 10

## 6 Ympäristönsuojelu ja tuotteen hävittäminen

Ympäristönsuojelu on Bosch-ryhmän keskeinen yritysstrategia. Tuotteiden laatu, niiden tehokkuus ja ympäristönsuojelu ovat kaikki yhtä tärkeitä meille, ja kaikkia ympäristönsuojelulakeja ja -säännöksiä noudatetaan tiukasti.

Käytämme parasta mahdollista tekniikkaa ja materiaaleja ympäristön suojelemiseksi, ottaen huomioon taloudelliset näkökohdat.

### Pakkaus

Koskien pakkausta osallistumme maakohtaisiin kierrätysprosesseihin, jotka takaavat parhaan mahdollisen kierrätyksen. Kaikki pakkausmateriaalimme ovat ympäristöä kuormittamattomia ja ne voidaan kierrättää.

### Laiteromu

Käytöstä poistettavissa laitteissa on raaka-aineita, jotka voidaan kierrättää.

Rakenneryhmät on helppo irrottaa. Muovit on merkitty. Sen vuoksi eri rakenneryhmät on helppo lajitella ja toimittaa joko kierrätykseen tai hävitettäväksi.

### Sähkö- ja elektroniikkalaiteromu



Tämä symboli tarkoittaa, että tuotetta ei saa hävittää yhdessä muiden jätteiden kanssa, vaan se täytyy toimittaa käsiteltäväksi, kerättäväksi, kierrätettäväksi ja hävitettäväksi jätteidenkeräyspisteisiin.

Symboli koskee maita, joissa on sähköromua koskevat määräykset voimassa, esim. "Eurooppalainen direktiivi 2012/19/EY Sähkö- ja elektroniikkalaitteet". Näissä määräyksissä on määritelty kehyspuitteet, jotka koskevat yksittäisten maiden sähkölaitteiden ja muiden romutettavien laitteiden palautusta ja kierrätystä.

Koska sähkölaitteet saattavat sisältää vaarallisia aineita, on ne kierrätettävä vastuullisesti, jotta mahdollisilta ympäristöhaitoilta vältyttäisiin ja vaikutukset ihmisiin minimoitaisiin. Lisäksi elektroniikkaromun kierrätys säästää luonnollisia resursseja.

Lisätietoa ympäristölle haitallisista käytettyjen sähkö- ja elektroniikkalaitteiden hävittämisestä saa jätteiden hävittämiseen erikoituneista liikkeistä ja myyjältä, jolta tuote ostettiin.

Lisätietoa, katso:

[www.weee.bosch-thermotechnology.com/](http://www.weee.bosch-thermotechnology.com/)

### Akut

Virtalähteitä ei saa hävittää kotitalousjätteiden mukana. Käytetyt akut pitää hävittää paikallisen jätteiden lajittelun mukaan.

### Kylmäaine R32



Laite sisältää fluoroitua kasviuonekaasua R32 (kasviuonepotentiaali 675<sup>1)</sup>) alhaisempi syttyvyysluokkaa ja lievempi myrkyllisyys (A2L tai A2).

Sisällön määrä on ilmoitettu ulkoyksikön tyyppikilvessä.

Kylmäaineet ovat vaarallisia ympäristölle ja ne pitää kerätä ja hävittää erikseen.

## 7 Tietosuojaseloste



Me, **Robert Bosch Oy, Äyritie 8 E, 01510 Vantaa, Suomi**, käsittelemme tuote- ja asennustietoja, teknisiä ja liitântätietoja, viestintätietoja, tuoterekisteröinti- ja asiakashistoriatietoja varmistaaksemme tuotteen toiminnallisuuden (6 art. 1 kohdan alakohta b, GDPR), täyttääksemme tuotevalvontaan ja

tuoteturvallisuuteen sekä turvallisuussyihin liittyvät veloitteemme (6 art. 1 kohdan alakohta f, GDPR), turvataksemme oikeutemme takuuseen ja tuoterekisteröintiin liittyvissä kysymyksissä (6 art. 1 kohdan alakohta f, GDPR) ja analysoidaksemme tuotteidemme jakelua sekä tarjotaksemme tuotteeseen liittyviä yksittäisiä tietoja ja tarjouksia (6 art. kohdan 1 alakohta f, GDPR). Tarjotaksemme palveluita, kuten myynti- ja markkinointipalvelut, sopimusten hallinta, maksujen käsittely, ohjelmointi, hosting- ja hotline-palvelut, voimme tehdä toimeksiantoja ja siirtää tietoja ulkoisille palveluntarjoajille ja/tai Boschin kanssa sidoksissa oleville yrityksille. Joissakin tapauksissa, mutta vain asianmukaisen tietosuojatason ollessa taattu, henkilötietoja voidaan siirtää vastaanottajille, joiden sijaintipaikka on Euroopan talousalueen ulkopuolella. Lisätietoa annetaan pyynnöstä. Voit ottaa yhteyttä tietosuojavastaavaamme osoitteeseen: Data Protection Officer, Information Security and Privacy (C/ISP), Robert Bosch GmbH, Postfach 30 02 20, 70442 Stuttgart, GERMANY.

Sinulla on oikeus vastustaa milloin tahansa henkilötietojesi käsittelyä syillä, jotka koskevat erityistä henkilökohtaista tilannettasi, tai jos henkilötietoja käytetään suoramarkkinointitarkoituksiin perustuen GDPR:n 6 art. 1 kohdan alakohtaan f. Ota oikeuksiesi harjoittamiseksi yhteyttä meihin osoitteeseen **DPO@bosch.com**. Lisätietoja saat seuraamalla QR-koodia.

1) asetuksen (EU) nro. 517/2014 liitteeseen I perustuen, Euroopan parlamentti ja neuvosto 16. huhtikuuta 2014.

**Innholdsfortegnelse**

<b>1</b>	<b>Forklaring av symboler og sikkerhetsinstrukser</b>	<b>23</b>
1.1	Symbolforklaring	23
1.2	Generelle sikkerhetsinstrukser	23
1.3	Merknader om denne bruksanvisningen	24
<b>2</b>	<b>Opplysninger om produktet</b>	<b>24</b>
2.1	Konformitetserklæring	24
2.2	Forenklet EU-konformitetserklæring for radioanlegg	24
2.3	Leveringsomfang	24
2.4	Dimensjoner og miniumsavstand	24
2.4.1	Innedel og utedel	24
2.4.2	Kuldemedialedninger	24
<b>3</b>	<b>Installasjon</b>	<b>25</b>
3.1	Før installasjonen	25
3.2	Krav til monteringsstedet	25
3.3	Apparatmontering	25
3.3.1	Montere innedelen	25
3.3.2	Montere utedelen	26
3.4	Koble til rørledningene	26
3.4.1	Koble kjølemiddelledningene til inne- og utedelen	26
3.4.2	Koble avløpet for kondensvann til innedelen	26
3.4.3	Kontrollere tettheten og fylle anlegget	27
3.5	Elektrisk tilkobling	27
3.5.1	Generell informasjon	27
3.5.2	Koble til innvendig enhet	27
3.5.3	Koble til utedelen	27
<b>4</b>	<b>Igangkjøring</b>	<b>28</b>
4.1	Sjekkliste for igangkjøringen	28
4.2	Funksjonstest	28
4.3	Overlevering til brukeren	28
<b>5</b>	<b>Feilretting</b>	<b>28</b>
5.1	Feil med indikator	28
5.2	Feil uten indikator	29
<b>6</b>	<b>Miljøvern og kassering</b>	<b>29</b>


**1 Forklaring av symboler og sikkerhetsinstrukser**

**1.1 Symbolforklaring**


**Advarsler**

Uthevet tekst i advarsler angir i tillegg faretypen og hvor alvorlig en faresituasjon blir hvis tiltakene for skadebegrensning ikke iverksettes.

Følgende uthevede ord er definert, og kan være i bruk i dette dokumentet:


 **FARE**  
**FARE** betyr at alvorlige og livstruende personskader vil oppstå.




 **ADVARSEL**  
**ADVARSEL** betyr at alvorlige og livsfarlige personskader kan oppstå.

 **FORSIKTIG**  
**FORSIKTIG** betyr at lette til middels alvorlige personskader kan oppstå.

**INSTRUKS**  
**MERK** betyr at materielle skader kan oppstå.

**Viktig informasjon**

 Viktig informasjon som ikke medfører fare for mennesker og gjenstander, merkes med det viste symbolet.

Symbol	Betydning
	Advarsel mot antenkelige stoffer: Kuldemediet R32 i dette produktet er en gass med lav brennbarhet og lav giftighet (A2L eller A2).
	Vedlikeholdet skal utføres av en kvalifisert person som følger instruksjonene i vedlikeholdsanvisningen.
	Følg instruksjonene i bruksanvisningen under drift.

Tab. 1

**1.2 Generelle sikkerhetsinstrukser**

 **Merknader for målgruppen**

Denne installasjonsveiledningen retter seg mot fagkyndig personell innen kjøle- og klimateknikk samt elektroteknikk. Instruksjonene i alle anleggsrelevante anvisninger skal følges. Hvis man unnlater å følge dette, kan materielle skader og personskader eller livsfare oppstå.

- ▶ Les installasjonsveiledningene for alle anleggets bestanddeler før installasjon.
- ▶ Vær oppmerksom på sikkerhetsinstrukser og advarsler.
- ▶ Overhold nasjonale og regionale forskrifter, tekniske regler og retningslinjer.
- ▶ Utført arbeid skal dokumenteres.

### **⚠ Beregnet bruk**

Apparatet er ikke ment for kommersiell bruk. Feilaktig bruk av apparatet og skader som følger av dette, omfattes ikke av garantien.

### **⚠ Generelle farer ved kuldemediet**

- ▶ Dette apparatet er fylt med kuldemediet R32. Kuldemedelgass kan danne giftig gass ved kontakt med ild.
- ▶ Dersom det lekker ut kuldemedier under installasjonen, må du lufte rommet grundig.
- ▶ Kontroller tettheten til anlegget etter installasjonen.
- ▶ Andre stoffer enn det angitte kuldemediet (R32) skal ikke havne i kuldemediakretsen.

### **⚠ Sikkerhet for elektriske apparater for privat bruk og lignende formål**

For å unngå farlige situasjoner pga. elektriske apparater gjelder følgende punkter iht. EN 60335-1:

«Dette apparatet kan benyttes av barn over 8 år og av personer med redusert fysiske sensoriske eller mentale evner eller manglende erfaring og kunnskap, hvis de er under tilsyn eller har fått opplæring i bruken av apparatet og forstår hvilke farer dette kan medføre. Barn må ikke leke med apparatet. Rengjøring og brukervedlikehold må ikke utføres av barn uten tilsyn.»

«Hvis strømkabelen skades, må den byttes ut av produsenten eller produsentens kundeservice eller en tilsvarende kvalifisert person, for å unngå farlige situasjoner.»

### **⚠ Overlevering til brukeren**

Ved overlevering skal eieren gis en innføring i betjening av klimaanlegget og gjeldende driftsbetingelser.

- ▶ Forklar hvordan det betjenes, med særlig vekt på alle sikkerhetsrelevante handlinger.
- ▶ Gjør fremfor alt oppmerksom på følgende punkter:
  - Kunden skal gjøres oppmerksom på at ombygging eller reparasjon kun må utføres av en godkjent fagbedrift.
  - For sikker og miljøvennlig drift er det påkrevd med minst en årlig inspeksjon, samt behovsavhengig rengjøring og vedlikehold.
- ▶ Mulige følger (personskader helt opp til livsfare eller materielle skader) av manglende eller upassende inspeksjon, rengjøring og vedlikehold må klargjøres.
- ▶ Gi installasjons- og vedlikeholdsanvisningen til kunden for oppbevaring.

### **1.3 Merknader om denne bruksanvisningen**

Illustrasjonene finner du samlet på slutten av denne bruksanvisningen. Teksten inneholder henvisninger til illustrasjonene.

Produktene kan avhengig av modell avvike fra framstillingen i denne bruksanvisningen.

## **2 Opplysninger om produktet**

### **2.1 Konformitetserklæring**

Dette produktets konstruksjonsmåte og driftsegenskaper er i samsvar med gjeldende europeiske og nasjonale forskrifter.

**CE** CE-merkingen angir at produktet er i samsvar med all relevant EU-lovgivning for bruk av denne merkingen.

Den fullstendige teksten i konformitetserklæringen er tilgjengelig på internett: [www.bosch-thermotechnology.com](http://www.bosch-thermotechnology.com).

### **2.2 Forenklet EU-konformitetserklæring for radioanlegg**

Herved erklærer Bosch Thermotechnik GmbH at produktet som er beskrevet i denne anvisningen, Climate Class 6100i/8100i med radioteknologi, samsvarer med direktiv 2014/53/EU.

Den fullstendige teksten for EU-konformitetserklæringen er tilgjengelig på internett: [www.bosch-thermotechnology.com](http://www.bosch-thermotechnology.com).

### **2.3 Leveringsomfang**

**Forklaring til Fig. 1:**

- [1] Utedel (fylt med kuldemedier)
- [2] Inneled (fylt med nitrogen)
- [3] Monteringsplate
- [4] Speilplate (kun for fargemodeller CLC810i... T/S/R)<sup>1)</sup>
- [5] Toppdeksel med skrue
- [6] Fjernkontroll med batterier
- [7] Dokumentsett med produktokumentasjon
- [8] Festemateriale (7 lange skruer, 1 spesialskruer for å feste fjernkontrollen og 8 plugg)
- [9] Plate (for å feste kabel i strekkavlastningen)

### **2.4 Dimensjoner og miniumsavstand**

#### **2.4.1 Inneled og utedel**

Figur 2

- [1] Plugg (leveringsomfang)
- [2] Spesialskruer (leveringsomfang)
- A Modell CLC810i...
- B Modell CLC610i...

#### **2.4.2 Kuldemedialeddninger**

**Forklaring til Fig. 3:**

- [1] Gassrør
- [2] Væskerør
- [3] Sifongformet bend som oljeutskiller



Hvis utedelen plasseres høyere enn inneleden, må du installere et sifongformet bend på gassiden etter senest 6 m og deretter et sifongformet bend hver 6 m (→ figur 3, [1]).

1) Feste av speilplatene → figur 10



- ▶ Overhold maksimal rørlengde og maksimal høydeforskjell mellom innedel og utedel.

	Maksimal rørlengde <sup>1)</sup> [m]	Maksimal høydeforskjell [m]
Alle typer	≤ 15	≤ 10

1) Gasside eller væskeside

Tab. 2 Rørlengde og høydeforskjell

Kjeltype	Rørdiameter	
	Væskeside [mm]	Gasside [mm]
Alle typer	6,35 (1/4")	9,53 (3/8")

Tab. 3 Rørdiameter avhengig av apparattype

Rørdiameter [mm]	Alternativ rørdiameter [mm]
6,35 (1/4")	6
9,53 (3/8")	10

Tab. 4 Alternativ rørdiameter

Spesifikasjon av rør	
Min. rørlengde	3 m
Standard rørlengde	5 m
Ekstra kuldedia ved en rørlengde på over 7,5 m (væskesiden)	CLC6101i...: 15 g/m CLC8101i...: 0 g/m
Rørtykkelse ved 6,35 mm til 12,7 mm rørdiameter	≥ 0,8 mm
Tykkelse isolasjon	≥ 6 mm
Materiale isolasjon	Polyetylen-skumstoff

Tab. 5



Rørlengden uten ekstra kuldedia er på 7,5 m. I tillegg lengre rørlengde fylles det på kuldedia avhengig av rørlengden. Den maksimale påfyllingsmengden er på 1100 g.

## 3 Installasjon

### 3.1 Før installasjonen



#### FORSIKTIG

#### Fare for personskader fra skarpe kanter!

- ▶ Bruk beskyttelseshansker under installasjonen.



#### FORSIKTIG

#### Forbrenningsfare!

Rørledningene blir svært varme under drift.

- ▶ Forsikre deg om at rørledningene er kjølt ned, før du tar på dem.
- ▶ Kontroller at leveransen er intakt.
- ▶ Sjekk om du hører en suselyd på grunn av undertrykk når du åpner rørene i innedelen.

### 3.2 Krav til monteringsstedet

- ▶ Overhold minsteavstandene (→ figur 4).

#### INSTRUKS

#### Apparatskader på grunn av snø!

Snø som samler seg opp under utedelen, kan gå ut over driften og skade apparatet. Hvis snø blokkerer avløpet for kondensvann, vil det samle seg is som skader enheten.

- ▶ Påse at utedelens avløp for kondensvann ikke er blokkert og alltid er fritt, slik at vannet kan renne ut uhindret.
- ▶ For oppvarming og avriming må du påse at det alltid er en avstand på minst 250 mm mellom snø og utedel.

#### Innedel

- ▶ Ikke installer innedelen i et rom med åpne tenningskilder (f.eks. åpen flamme, gassapparat i drift eller elektriske varmeapparat i drift).
- ▶ Apparatet kan installeres i et rom med en grunnflate på 4 m<sup>2</sup> så lenge monteringshøyden er på minst 2,5 m. Hvis monteringshøyden er lavere, må gulvflaten være tilsvarende større.
- ▶ Installasjonsstedet skal ikke ligge høyere enn 2000 meter over havet.
- ▶ Luftinntaket og luftinnløpet skal holdes fritt for hindringer slik at luften kan sirkulere uhindret. Hvis ikke kan effekten falle og lydtrykknivået bli høyere.
- ▶ TV-er, radioer og lignende apparater skal ha en avstand på minst 1 m fra apparatet og fjernkontrollen.
- ▶ Monter innedelen på en vegg som demper vibrasjoner.

#### Utvendig enhet

- ▶ Ikke utsett utedelen for maskinøljedamp, varm damp, svovelgass og så videre.
- ▶ Ikke installere utedelen rett ved vann, og ikke utsett den for havvind.
- ▶ Utedelen skal alltid være fri for snø.
- ▶ Avtrekksluft og driftsstøy skal ikke være forstyrrende.
- ▶ Luften skal sirkulere godt rundt utedelen, men apparatet skal ikke være utsatt for kraftig vind.
- ▶ Kondensatet som oppstår under drift, skal kunne renne ut uten problemer. Legg en avløpsslange om nødvendig. I kalde regioner lønner det seg ikke å legge en slik avløpsslange, fordi det kan dannes is
- ▶ Sett utedelen på et stabilt underlag.

### 3.3 Apparatmontering

#### INSTRUKS

#### Materielle skader grunnet feil montering!

Feil montering kan føre til at apparatet faller ned fra veggen.

- ▶ Monter kun enheten til en fast og jevn vegg. Veggen skal kunne tåle vekten av apparatet.
- ▶ Bruk kun skruer og plugg som er egnet for veggtypen og apparatvekten.

#### 3.3.1 Montere innedelen

- ▶ Åpne esken og dra ut innedelen.
- ▶ Legg innedelen med emballasjens formdeler på fremsiden.
- ▶ Legg monteringsplaten på innedelens bakside.
- ▶ Bestem installasjonssted med hensyn til minsteavstandene (→ figur 2).
- ▶ Fest monteringsplaten til veggen med skrue og plugg gjennom det midtre hullet, og juster den vannrett (→ figur 4.[1]).
- ▶ Fest monteringsplaten med seks skruer og plugg til slik at monteringsplaten ligger flatt mot veggen.
- ▶ Bor gjennomføringen for røranlegget (anbefalt posisjon for gjennomføringen bak innedelen → figur 5).



Markeringene [1] brukes til å posisjonere hullet.

- ▶ Endre om nødvendig posisjonen til avløpet for kondensvann (→ figur 6).



Rørkoblingene på innedelen ligger som regel bak innedelen. Vi anbefaler å forlenge rørene rett før du henger opp innedelen.

- ▶ Legg rørforbindelsene som vist i kapittel 3.4.
- ▶ Bøy om nødvendig røropplegget i ønsket retning, og brykk ut en åpning på siden eller nederst på dekkplaten (→ figur 8).
- ▶ Før røropplegget gjennom veggen, og hekk fast innedelen i monteringsplaten (→ figur 9).
- ▶ For fargemodellene CLC8101i... T/S/R finnes det ekstra speilplater som må plasseres på respektive steder (→ figur 10, [2]).
  - Bestem posisjonen til speilplatene.<sup>1)</sup>
  - Trekk av limfolien.
  - Tilpass speilplatene til speilplatene [1] som allerede er montert.

Hvis innedelen skal tas av fra monteringsplaten:

- ▶ Trykk på markeringene på undersiden av innedelen og trekk fram innedelen (→ figur 11, [1]).

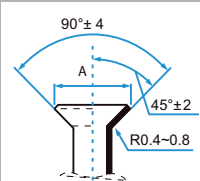


Fargemodellene CLC8101i... T/S/R har ikke disse markeringene, fordi det er plassert en speilplate her. Du kan likevel ta av innedelen fra veggen ved å trykke på de respektive punktene på denne måten.

### 3.3.2 Montere utedelen

- ▶ Sett opp esken.
- ▶ Kutt over og fjern emballasjebåndene.
- ▶ Trekk opp esken og fjern emballasjen.
- ▶ Avhengig av installasjonsmåte må du klargjøre og montere en gulv- eller veggbrakett.
- ▶ Sett heller heng opp utedelen, bruk medfølgende eller egne vibrasjonsdempere til føttene.

1) Avhengig av rørenes posisjon trenger du enten 4 eller kun 3 speilplater.

Utvendig rørdiameter Ø [mm]	Tiltrekkingsmoment [Nm]	Diameter for utkraget åpning (A) [mm]	Utkraget rørende	Forhåndsmontert unionmuttergjenge
6,35 (1/4")	18-20	8,4-8,7		1/4"
9,53 (3/8")	32-39	13,2-13,5		3/8"

Tab. 6 Spesifikasjoner for rørforbindelser

### 3.4.2 Koble avløpet for kondensvann til innedelen

Innedelens kondensatpanne er utstyrt med to tilkoblinger. Det er fabrikkmontert en avløpsslange for kondensat og en propp der, disse kan skiftes ut (→ figur 6).

- ▶ Legg avløpsslangen for kondensat med fall.

- ▶ Sørg for lokalt avløp for kondensvannet.
- ▶ Ta av dekslet for rørtilkoblingene (→ figur 12).
- ▶ Legg rørforbindelsene som vist i kapittel 3.4.
- ▶ Sett på dekslet for rørtilkoblingene igjen.

## 3.4 Koble til rørledningene

### 3.4.1 Koble kjølemiddelledningene til inne- og utedelen



#### FORSIKTIG

#### Lekkasje av kuldemedier på grunn av utette forbindelser

Rørledningsforbindelser som er utført riktig, kan føre til lekkasje av kuldemedier.

- ▶ Når du gjenbruker unionforbindelser, må du alltid tilvirke uniondelen på nytt.



Kobberrør er tilgjengelig i metriske mål og tommer, det samme gjelder for unionmuttergjengene. Unionforbindelsene for inne- og utedelen er bestemt for dimensjoner i toll.

- ▶ Hvis du bruker metriske kobberrør, må du bytte ut unionmutterne mot slik med riktig diameter (→ tabell 6).
- ▶ Bestem rørdiameter og rørlengde (→ side 24).
- ▶ Kutt til røret med rørkutter (→ figur 7).
- ▶ Avgrad rørendene innvendig, og bank ut sponene.
- ▶ Sett mutteren på røret.
- ▶ Utvid røret med et utkragingsverktøy etter målet i tabellen 6. Mutterne skal kunne skyves mot kanten, men ikke lenger ut.
- ▶ Koble til røret, og trekk til skruforbindelsen med tiltrekkingsmomentet i tabellen 6.
- ▶ Gjenta disse trinnene for det andre røret.

#### INSTRUKS

#### Redusert virkningsgrad ved hjelp av varmeoverføring mellom kjølemedialedningene

- ▶ Varmeisoler kjølemedialedningene atskilt fra hverandre.
- ▶ Sett på og fest rørisolasjonen.

### 3.4.3 Kontrollere tettheten og fylle anlegget

#### Kontroller om systemet er tett

Følg nasjonale og lokale bestemmelser for tetthetskontrollen.

- ▶ Ta av hettene på de tre ventilene (→ figur 13, [1], [2] og [3]).
- ▶ Koble Schrader-åpner [6] og trykkmålestyr [4] til Schrader-ventilen [1].
- ▶ Skru inn Schrader-åpneren, og åpne Schrader-ventilen [1].
- ▶ Hold ventilene [2] og [3] lukket, og fyll anlegget med nitrogen til trykket 10 % ligger over det nominelle trykket på 42,5 bar.
- ▶ Kontroller om trykket er uendret etter 10 minutter.
- ▶ Fyll på nitrogen til det nominelle trykket er nådd.
- ▶ Kontroller om trykket er uendret etter minst 1 time.
- ▶ Slipp ut nitrogenet.

#### Fylle anlegget

##### INSTRUKS

#### Funksjonsfeil på grunn av feil kuldemedier

Utedelen er fylt med kuldemedier R32 på fabrikk.

- ▶ Hvis du må fylle på mer kuldemedier, må du bruke kuldemedier av samme type. Ikke bland ulike typer kuldemedier.
- 
- ▶ Tøm anlegget med vakuumpumpe (→ figur 13, [5]) i minst 30 minutter og tørk til ca. -1 bar (eller ca. 500 Micron) er nådd.
  - ▶ Åpne den øverste ventilen [3] (væskesiden).
  - ▶ Bruk trykkmålestyr [4] for å kontrollere om gjennomstrømningen går fritt.
  - ▶ Åpne den nederste ventilen [2] (gassiden). Kuldemediet fordeler seg i anlegget.
  - ▶ Kontroller trykkforholdene til slutt.
  - ▶ Skru ut Schrader-åpneren [6], og steng Schrader-ventilen [1].
  - ▶ Fjern vakuumpumpe, trykkmålestyr og Schrader-åpner.
  - ▶ Sett hettene tilbake på ventilene.
  - ▶ Sett på dekslet for rørtilkoblingene på utedelen igjen.

## 3.5 Elektrisk tilkobling

### 3.5.1 Generell informasjon



#### ADVARSEL

#### Livsfare på grunn av elektrisk strøm!

Berøring av elektriske deler som står under spenning kan føre til strømstøt.

- ▶ Før arbeid på elektriske deler: Koble fra strømforsyningen på alle poler (sikring/effektbryter) og sikre mot utilsiktet gjeninnkobling.
- 
- ▶ Arbeid på det elektriske anlegget skal kun utføres av autorisert elektriker.
  - ▶ Overhold beskyttelsestiltak i henhold til nasjonale og internasjonale bestemmelser.
  - ▶ Hvis det foreligger en sikkerhetsrisiko i nettspenningen, eller i tilfelle kortslutning under installasjonen, må du informere eier skriftlig og ikke installere apparatene før problemet er utbedret.
  - ▶ Utfør alle elektriske tilkoblinger i henhold til koblingsskjemaet.
  - ▶ Skjær kun kabelisolasjonen med spesialverktøy.
  - ▶ Ikke koble flere forbrukere til apparatets strømtilkobling.
  - ▶ Ikke bytt om fase og nulleleder. Dette kan føre til funksjonsfeil.
  - ▶ I tilfelle fast strømtilkobling må du installere tilført effekt og skillebryter som er konstruert for 1,5 ganger maksimal tilført effekt i apparatet.

### 3.5.2 Koble til innvendig enhet

Innedelen kobles til utedelen med kommunikasjonskabel av typen H07RN-F med 4 tråder. Kommunikasjonskabelens ledertverrsnitt skal være på minst 1,5 mm<sup>2</sup>.


#### INSTRUKS

#### Materielle skader pga. feiltilkoblet innedel

Innedelen forsynes med spenning fra utedelen.

- ▶ Koble kun innedelen til utedelen.

For å koble til kommunikasjonskabelen:

- ▶ Åpne det øvre og fremre dekslet.
  - Løsne låsene på det øvre dekslet.
  - Hold det øvre dekslet mot kroppen, og løft det opp.
  - Løsne det fremre dekslet fra kroken, og trekk skinnen framover. (→ figur 14).
- ▶ Klargjør enden av tilkoblingsledningen [3] for innedelen (→ figur 15 til 16).
- ▶ Fjern skruen [4] og ta av dekslet [5] til tilkoblingsklemmen.
- ▶ Brekk ut kabelgjennomføringen på baksiden av innedelen, og før kabelen gjennom.
- ▶ Koble kabelen til klemmene N, 1 og 2.
- ▶ Koble beskyttelseslederen [2] til .
- ▶ Skriv ned hvordan trådene er tilordnet tilkoblingsklemmene.
- ▶ Fest dekslet til tilkoblingsklemmen igjen.
- ▶ Fest det fremre og øvre dekslet igjen.
- ▶ Før kabelen til utedelen.

### 3.5.3 Koble til utedelen

En strømkabel (3 ledere) og kommunikasjonskabelen til innedelen (4 ledere) kobles til utedelen. Bruk kabler av typen H07RN-F med tilstrekkelig ledertverrsnitt, og sikre strømtilkoblingen med sikring (→ tabell 7).



Utvendig enhet	Strømsikring	Ledertverrsnitt	
		Strømkabel	Kommunikasjonskabel
Alle typer	16 A	≥ 1,5 mm <sup>2</sup>	≥ 1,5 mm <sup>2</sup>

Tab. 7

- ▶ Forbered enden på strømkabelen (→ figur 17).
- ▶ Forbered enden på kommunikasjonskabelen (→ figur 18).
- ▶ Ta av dekslene [3+6] til den elektriske tilkoblingen (→ figur 19).



Modell CLC6101i... kar kun det ytre dekslet [3].

- ▶ Sikre strømkabelen [2] og kommunikasjonskabelen [1] til strekkavlastningen [4]. Legg om nødvendig det medfølgende innlegget [5] mellom.
- ▶ Koble strømkabelen til klemmene N, 1 og .
- ▶ Koble kommunikasjonskabelen til klemmene N, 1, 2 og  (forbind trådene til tilkoblingsklemmene på samme måte som for innedelen).
- ▶ Fest dekslene igjen.

## 4 Igangkjøring

### 4.1 Sjekkliste for igangkjøringen

1	Utedelen og innedelen er montert riktig.	
2	Rørene er korrekt <ul style="list-style-type: none"> <li>• tilkoblet,</li> <li>• isolert,</li> <li>• og kontrollert med tanke på tetthet.</li> </ul>	
3	Korrekt avløp for kondensvann er montert og testet.	
4	Elektrisk tilkobling er utført riktig. <ul style="list-style-type: none"> <li>• Strømforsyningen er innenfor normalt område</li> <li>• Beskyttelseslederen er installert riktig</li> <li>• Tilkoblingsledningen er festet til rekkeklemmen</li> </ul>	
5	Alle dekslene er satt på og festet.	
6	Innerdelens luftledeplate er montert riktig, og servomotoren er koblet inn.	

Tab. 8

### 4.2 Funksjonstest

Etter at installasjonen er fullført med tetthetskontroll og elektrisk tilkobling, kan systemet testes:

- ▶ Opprett strømforsyning.
- ▶ Slå på innedelen med fjernkontrollen.
- ▶ Hold inne knappen **ON/OFF** [1] i 5 sekunder for å stille inn kjølemodus (→ figur 20)  
Du hører en pipelyd, og driftslampen blinker.
- ▶ Test kjølemodus i 5 minutter.
- ▶ Sikre at luftledeplaten [2] kan bevege seg fritt.

Feilkode	Mulig årsak
00 – 0	Normal modus
01 – ...	Kortslutning på utedelens termistor
02 – ...	Feil pga. for høy temperatur i kompressoren eller varmeveksleren
03 – 0	Utedelen er koblet ut kortvarig for å beskytte den.
05 – ...	Åpen strømkrets på utedelens termistor
06 – ...	Overbelastning pga. utilstrekkelig kuldemedier eller blokkert luftinntak/luftutløp. Feil på IPM-modulen eller
07 – ...	overstrømbeskyttelsen i utedelens hovedlederplate.
09 – ...	Feil på termistor eller 4-veisventil eller utilstrekkelig kuldemedier.
10 – ...	Parameterfeil i utedelens EEPROM
11 – ...	Feil på utedelens vifte
13 – ...	Feil på kompressoren under start eller drift
14 – ...	Feil på impulsamplitude-modulasjonen
17 – ...	Feil elektrisk tilkobling av apparatene med åpen strømkrets
18 – ...	Feil elektrisk tilkobling av apparatene med kortslutning
19 – ...	Feil på innedelens vifte
20 – ...	Parameterfeil i innedelens EEPROM
24 – ...	Kommunikasjonsfeil mellom innedelen og WLAN
26 – ...	Feil på en termistor i innedelen

Tab. 9

- ▶ Velg oppvarming på fjernkontrollen.
- ▶ Test oppvarming i 5 minutter.
- ▶ Trykk på knappen **ON/OFF** på nytt for å avslutte modusen.

### 4.3 Overlevering til brukeren

- ▶ Når systemet er innrettet, må du overlevere installasjonsveiledningen til kunden.
- ▶ Forklar kunden hvordan systemet betjenes ved hjelp av bruksanvisningen.
- ▶ Anbefal kunden å lese nøye gjennom bruksanvisningen.

## 5 Feilretting

### 5.1 Feil med indikator





#### ADVARSEL

#### Livsfare på grunn av elektrisk strøm!

Berøring av elektriske deler som står under spenning kan føre til strømstøt.

- ▶ Før arbeid på elektriske deler: Koble fra strømforsyningen på alle poler (sikring/effektbryter) og sikre mot utilsiktet gjeninnkobling.

En feil på apparatet kan også signaliseres ved at følgende lamper blinker i sekvenser:

- Driftslampe  (grønn)
- Timer-lampe  (oransje)
- Plasmacluster-lampe (blå)

Antallet blinketegn angir feilkodesifferet.

I tilfelle feil **23 – 4** blinker for eksempel den grønne lampen 2 ganger, deretter blinker den oransje lampen 3 ganger og den blå lampen 4 ganger. Du kan også hente feilkoden med fjernkontrollen → bruksanvisning.

Hvis en feil vedvarer i over 10 minutter:

- ▶ Koble fra strømforsyningen litt, og slå på innedelen igjen.

Hvis en feil ikke kan utbedres:

- ▶ Kontakt kundeservice, og oppgi feilkode og apparatdata.

## 5.2 Feil uten indikator

Feil	Mulig årsak	Tiltak
Innedelens effekt er for svak.	Ute- eller innedelens varmeveksler er tilsmusset.	► Rengjør ute- eller innedelens varmeveksler.
	For lite kuldemedier	► Kontroller om rørene er tette, tett til på nytt om nødvendig. ► Fyll på kuldemedier.
Utedelen eller innedelen fungerer ikke.	Ingen strøm	► Kontroller strømtilkoblingen. ► Slå på innedelen.
	Sikringen er løst ut.	► Kontroller strømtilkoblingen. ► Skift ut sikringen.
Utedelen eller innedelen starter og stopper til stadighet.	For lite kuldemedier i systemet.	► Kontroller om rørene er tette, tett til på nytt om nødvendig. ► Fyll på kuldemedier.
	For mye kuldemedier i systemet.	Ta ut kuldemedier med et apparat for gjenvinning av kuldemedier.
	Fuktighet eller forurensning i kuldemediakretsen.	► Tøm kuldemediakretsen. ► Fyll på nytt kuldemedier.
	For høye spenningsvingninger.	► Monter en spenningsregulator.
	Kompressoren er defekt.	► Skift ut kompressoren.

Tab. 10

## 6 Miljøvern og kassering

Miljøvern er et grunnleggende bedriftsprinsipp for Bosch-gruppen. For oss er produktenes kvalitet, driftsøkonomi og miljøvern likestilte målsetninger. Lover og forskrifter angående miljøvern overholdes konsekvent.

Med hensyn til økonomiske aspekter tar vi i bruk best mulig teknikk og materiale for å beskytte miljøet.

### Emballasje

Når det gjelder emballasje samarbeider vi med de spesifikke gjenvinningssystemene i de forskjellige landene som garanterer optimal gjenvinning.

Alle emballasjematerialer som brukes, er miljøvennlige og kan gjenvinnes.

### Gammelt apparat

Gamle apparater inneholder verdifulle materialer som kan gjenvinnes. De forskjellige delene er lette å skille. Plast er merket. Dermed kan de forskjellige delene kildesorteres og leveres til gjenvinning eller avfallsbehandling.

### Elektrisk og elektronisk avfall



Dette symbolet betyr at produktet ikke skal kastes sammen med annet avfall, men må leveres til behandling, innsamling, resirkulering og kassering på innsamlingspunkter for avfall.



Symbolet gjelder for land med forskrifter for elektronisk avfall, f.eks. "Europeisk direktiv 2012/19/EF om avfall fra elektrisk og elektronisk utstyr". Denne forskriften definerer de generelle forholdene som gjelder retur og resirkulering av gamle elektroniske enheter i de enkelte landene.

Siden elektroniske apparater kan inneholde farlige stoffer, må de resirkuleres på en forsvarlig måte for å minimere mulige miljøskader og fare for menneskers helse. Gjenvinning av elektronisk avfall bidrar også til å bevare naturressursene.

For mer informasjon om miljøvennlig avhending av elektrisk og elektronisk utstyr kan du kontakte de ansvarlige lokale myndighetene, avfalls-selskapet ditt eller forhandleren der du kjøpte produktet.

Mer informasjon finner du her:

[www.weee.bosch-thermotechnology.com/](http://www.weee.bosch-thermotechnology.com/)

### Batterier

Batteriene skal ikke kastes i husholdningsavfall. Brukte batterier må leveres til lokale oppsamlingssteder.

### Kuldemedier R32



Apparatet inneholder en fluorert drivhusgass R32 (drivhuspotensial 675<sup>1)</sup>) med lav brennbarhet og lav giftighet (A2L eller A2).

Innholdsmengden er angitt på typeskiltet på utedelen.

Kuldemedier utgjør en fare for miljøet og må samles inn og kasseres separat.

1) på grunnlag av vedlegg I i Europaparlamentets og -rådets forordning (EU) nr. 517/2014 av 16. april 2014.

## Innehållsförteckning

<b>1</b>	<b>Symbolförklaring och säkerhetsanvisningar</b> .....	<b>30</b>
1.1	Symbolförklaring .....	30
1.2	Allmänna säkerhetsanvisningar .....	30
1.3	Anvisningar till den här anvisningen .....	31
<b>2</b>	<b>Produktdata</b> .....	<b>31</b>
2.1	Konformitetsförklaring .....	31
2.2	Förenklad EU-konformitetsförklaring gällande radioutrustning .....	31
2.3	Leveransomfattning .....	31
2.4	Mått och minimiavstånd .....	31
2.4.1	Inneenhet och uteenhet .....	31
2.4.2	Köldmedieledningar .....	31
<b>3</b>	<b>Installation</b> .....	<b>32</b>
3.1	Före installationen .....	32
3.2	Krav på uppställningsplatsen .....	32
3.3	Panelmontering .....	32
3.3.1	Montera inneenheten: .....	32
3.3.2	Montera uteenheten .....	33
3.4	Anslutning av rörledningarna .....	33
3.4.1	Ansluta köldmedieledningarna till inne- och uteenheten .....	33
3.4.2	Ansluta kondensatutloppet till inneenheten .....	33
3.4.3	Kontrollera anläggningens täthet och fyll på .....	34
3.5	Elektrisk anslutning .....	34
3.5.1	Allmänna anvisningar .....	34
3.5.2	Ansluta inneenheten .....	34
3.5.3	Ansluta uteenheten .....	34
<b>4</b>	<b>Driftsättning</b> .....	<b>35</b>
4.1	Checklista för driftsättningen .....	35
4.2	Funktionskontroll .....	35
4.3	Överlämning till användaren .....	35
<b>5</b>	<b>Åtgärdande av fel</b> .....	<b>35</b>
5.1	Fel med indikering .....	35
5.2	Fel utan indikering .....	36
<b>6</b>	<b>Miljöskydd och avfallshantering</b> .....	<b>36</b>
<b>7</b>	<b>Dataskyddsanvisning</b> .....	<b>36</b>

## 1 Symbolförklaring och säkerhetsanvisningar

### 1.1 Symbolförklaring

#### Varningar

I varningar markerar signalord vilka slags följder det kan få och hur allvarliga följderna kan bli om säkerhetsåtgärderna inte följs.

Följande signalord är definierade och kan förekomma i det här dokumentet:


**FARA**

**FARA** betyder att svåra eller livshotande personskador kommer att uppstå.


**VARNING**

**VARNING** betyder att svåra till livshotande personskador kan komma att uppstå.


**SE UPP**

**SE UPP** betyder att lätta till medelsvåra personskador kan uppstå.




**ANVISNING**

**ANVISNING** betyder att saksador kan uppstå.

#### Viktig information



Viktig information som inte anger fara för människor eller material betecknas med informationssymbolen här intill.

Symbol	Betydelse
	Varning för antändliga ämnen: Köldmediet R32 i den här produkten är en gas med låg brännbarhet och låg giftighet (A2L eller A2).
	Underhållet ska utföras av en kvalificerad person med hänsyn tagen till anvisningarna i underhållsmanualen.
	Följ anvisningarna i bruksanvisningen under driften.

Tab. 1

### 1.2 Allmänna säkerhetsanvisningar

#### Anvisningar för målgruppen

Den här installatörshandledningen är avsedd för installatörer inom kyl- och klimatteknik samt elteknik. Anvisningarna i alla anvisningar som är relevanta för anläggningen måste följas. Om anvisningarna inte följs kan detta leda till saksador, personskador och i värsta fall livsfara.

- ▶ Läs installatörshandledningarna för alla anläggningens beståndsdelar före installation.
- ▶ Följ säkerhets- och varningsanvisningar.
- ▶ Beakta nationella och lokala föreskrifter, tekniska regler och direktiv.

- ▶ Dokumentera de arbeten som har utförts.

### **⚠ Användningsområde**

Apparaten är inte avsedd för yrkesmässig användning. Vi ansvarar inte för skador som beror på felaktig användning av apparaten.

### **⚠ Allmänna faror på grund av köldmediet**

- ▶ Denna apparat är fylld med köldmediet R32. Gasformigt köldmedium kan bilda giftiga gaser vid kontakt med eld.
- ▶ Om det rinner ut köldmedium under installationen ska rummet ventileras grundligt.
- ▶ Kontrollera anläggningens täthet efter installationen.
- ▶ Låt inte några andra ämnen än det angivna köldmediet (R32) komma in i köldmediekretsloppet.

### **⚠ Säkerhet för elektriska hushållsapparater och liknande bruksföremål**

För att undvika att elektriska apparater orsakar faror gäller följande anvisningar enligt EN 60335-1:

”Den här apparaten kan användas av barn fr.o.m. 8 år och av personer med begränsad fysisk, sensorisk eller mental förmåga eller brister i erfarenhet och kunskaper under uppsikt av en annan person eller instruerats om hur apparaten används på ett säkert sätt och förstår de därav resulterande farorna. Barn får inte leka med apparaten. Rengöring och underhåll genom användaren får inte utföras av barn utan uppsikt.”

”Om nätanslutningsledningen skadas måste den bytas ut av tillverkaren eller dennes kundtjänst eller en annan behörig person för att undvika fara.”

### **⚠ Överlämning till användaren**

Instruera användaren om användningen av och driftanvisningen för kylanläggningen vid överlämnandet.

- ▶ Förklara hur systemet används, och informera framför allt om alla säkerhetsrelevanta åtgärder.
- ▶ Påpeka särskilt följande punkter:
  - Ombyggnad eller reparation får endast utföras av en behörig installatör.
  - För säker och miljövänlig drift ska en inspektion utföras minst en gång per år samt rengöring och underhåll genomföras vid behov.
- ▶ Påpeka möjliga följder (personskador till livsfara eller sakskador) vid felaktig eller icke fackmässig inspektion, rengöring och underhåll.
- ▶ Överlämna installations- och bruksanvisningarna till ägaren för förvaring.

### **1.3 Anvisningar till den här anvisningen**

Bilder finns samlade i slutet av den här anvisningen. Texten innehåller hänvisningar till bilderna.

Produkterna kan avvika från illustrationerna i den här anvisningen beroende på modell.

## **2 Produktdata**

### **2.1 Konformitetsförklaring**

Denna produkt uppfyller i konstruktion och driftbeteende de europeiska och nationella kraven.

**CE** CE-märkningen intygar att produkten motsvarar all tillämplig EU-lagstiftning som märkningen föreskriver.

Konformitetsförklaringen i sin helhet finns tillgänglig på nätet: [www.bosch-climate.se](http://www.bosch-climate.se).

### **2.2 Förenklad EU-konformitetsförklaring gällande radioutrustning**

Härmed intygar Bosch Thermotechnik GmbH att produkten Climate Class 6100i/8100i med radioutrustning som beskrivs i denna handbok överensstämmer med direktiv 2014/53/EU.

EU-konformitetsförklaringen i sin helhet finns tillgänglig på nätet: [www.bosch-climate.se](http://www.bosch-climate.se).

### **2.3 Leveransomfattning**

#### **Teckenförklaring till bild 1:**

- [1] Uteenhet (fylld med köldmedium)
- [2] Inneenhet (fylld med kväve)
- [3] Monteringsplatta med anslutningar
- [4] Spegelplåt (endast för färgade produkttyper CLC8101i... T/S/R)<sup>1)</sup>
- [5] Lock till anslutningsklämmor med skruv
- [6] Fjärrkontroll med batterier
- [7] Tryckt produktdokumentation
- [8] Fästmaterial (7 långa skruvar, 1 specialskruv för fastsättning av fjärrkontrollen och 8 pluggar)
- [9] Plåt (för fastsättning av kabeln till dragavlastningen)

### **2.4 Mått och minimiavstånd**

#### **2.4.1 Inneenhet och uteenhet**

Bild 2

- [1] Plugg (leveransomfattning)
- [2] Specialskruv (leveransomfattning)

A Modell CLC8101i...

B Modell CLC6101i...

#### **2.4.2 Köldmedieledningar**

##### **Teckenförklaring till bild 3:**

- [1] Rör på gassidan
- [2] Rör på vätskesidan
- [3] Sifonformad rörböj som oljeavskiljare



Om uteenheten placeras högre än inneenheten ska en sifonformad rörböj utföras senast efter 6 m på gassidan och sedan ytterligare en sifonformad rörböj var 6:e m (→ bild 3, [1]).

- ▶ Håll den maximala rörlängden och den maximala höjdskillnaden mellan inneenheten och uteenheten.

1) Fastsättning av spegelplåtarna → Bild 10

	Maximal rörlängd <sup>1)</sup> [m]	Maximal höjdskillnad [m]
Alla typer	≤ 15	≤ 10

1) Gassidan eller vätskesidan

Tab. 2 Rörlängd och höjdskillnad

Enhetstyp	Rördiameter	
	Vätskesida [mm]	Gassidan [mm]
Alla typer	6,35 (1/4")	9,53 (3/8")

Tab. 3 Rördiameter beroende på enhetstyp

Rördiameter [mm]	Alternativ rördiameter [mm]
6,35 (1/4")	6
9,53 (3/8")	10

Tab. 4 Alternativ rördiameter

Rörens specifikation	
Min. rörledningslängd	3 m
Standardrörledningslängd	5 m
Extra köldmedium vid en rörledningslängd på mer än 7,5 m (vätskesidan)	CLC6101i...: 15 g/m CLC8101i...: 0 g/m
Rörtjocklek vid en rördiameter på 6,35 mm till 12,7 mm	≥ 0,8 mm
Tjocklek värmeskydd	≥ 6 mm
Material värmeskydd	Polyeten-skumgummi

Tab. 5



Rörledningslängden utan extra fyllning av köldmedium uppgår till 7,5 m. Vid en längre rörledning fylls köldmedium på beroende på rörlängden. Då uppgår den maximala påfyllingsmängden till 1100 g.

## 3 Installation

### 3.1 Före installationen



**SE UPP**

**Fara för personskador på grund av vassa kanter!**

- ▶ Använd skyddshandskar vid installationen.



**SE UPP**

**Fara på grund av förbränning!**

Rörledningarna blir mycket varma under driften.

- ▶ Se till att rörledningarna kyls av innan de berörs.
- ▶ Kontrollera att leveransinnehållet är intakt.
- ▶ Kontrollera om du kan upptäcka ett väsande på grund av undertryck när du öppnar ineenhetens rör.

### 3.2 Krav på uppställningsplatsen

- ▶ Håll minimiavstånd (→ bild 4).

#### ANVISNING

#### Apparatskador på grund av snö!

Snö som ansamlats under uteenheten kan försämra driften och skada apparaten. Om snö blockerar kondensatavloppet ansamlas is och skadar enheten.

- ▶ Se till att uteenhetens kondensatavlopp inte är blockerat och alltid är fritt samt att vattnet kan rinna ut obehindrat.
- ▶ Se till att det alltid är 250 mm avstånd mellan snö och uteenheten för värmedrift och avfrostning.

#### Inneenhet

- ▶ Installera inte inneenheten i ett rum där öppna tändkällor används (t.ex. öppna lågor, en gasenhet som är i drift eller elektrisk husvärme som är i drift).
- ▶ Det går att installera apparaten i ett rum med en yta på 4 m<sup>2</sup> under förutsättningen att takhöjden är minst 2,5 m. Vid lägre takhöjd måste golvytan vara större i motsvarande grad.
- ▶ Installationsplatsen får inte ligga högre än 2000 m över havet.
- ▶ Luftintaget och luftutsläppet måste hållas fria från alla typer av hinder så att luften kan cirkulera obehindrat. I annat fall kan en effektförlust och en högre ljudutbredning förekomma.
- ▶ Håll en TV, radio och liknande apparater minst 1 m borta från apparaten och från fjärrkontrollen.
- ▶ Välj en vägg som dämpar vibrationer för monteringen av inneenheten.

#### Uteenhet

- ▶ Utsätt inte uteenheten för maskinöljeånga, heta källångor, svavelgas etc.
- ▶ Installera inte uteenheten direkt vid vatten och utsätt den inte för havsvindar.
- ▶ Uteenheten måste alltid vara snöfri.
- ▶ Frånluften eller driftljudet får inte störa.
- ▶ Luften ska cirkulera ordentligt runt uteenheten men apparaten ska inte utsättas för hård vind.
- ▶ Det kondensat som uppstår under driften måste kunna rinna ut problemfritt. Lägg ut en avloppsslang vid behov. I kalla regioner är det inte lämpligt att lägga ut en avloppsslang eftersom det kan förekomma isbildning
- ▶ Ställ uteenheten på ett stabilt underlägg.

### 3.3 Panelmontering

#### ANVISNING

#### Sakskador på grund av felaktig montering!

Felaktig montering kan leda till att apparaten faller ner från väggen.

- ▶ Montera apparaten endast på en fast och plan vägg. Väggen måste kunna bära upp apparatens vikt.
- ▶ Använd endast skruvar och pluggar som är lämpliga för väggtypen och apparatens vikt.

#### 3.3.1 Montera inneenheten:

- ▶ Öppna kartongen och dra ut inneenheten.
- ▶ Placera inneenheten med förpackningens formdelar på framsidan.
- ▶ Ta bort monteringsplattan på inneenhetens baksida.
- ▶ Välj installationsplats med hänsyn tagen till minimiavstånden (→ bild 2).
- ▶ Fäst monteringsplattan på väggen med en skruv och en plugg genom det mittre och rikta in den vågrätt (→ bild 4.[1]).



- ▶ Fäst monteringsplattan med ytterligare sex skruvar och pluggar så att monteringsplattan ligger platt på väggen.
- ▶ Borra en väggenomföring för rörledningen (rekommenderad position för väggenomföringen bakom inneenheten → bild 5).

**i**  
 Markeringarna [1] är till för positionering av borrhålet.

- ▶ Ändra vid behov kondensatavloppetets position (→ bild 6).

**i**  
 Rörkopplingarna på inneenheten ligger i de flesta fall bakom inneenheten. Vi rekommenderar att du förlänger rören redan före upphängningen av inneenheten.

- ▶ Utför röranslutningarna som i kapitlet 3.4.
- ▶ Böj eventuellt rörledningen i önskad riktning och gör en öppning på sidan eller nertill på sidotäckplåten (→ bild 8).
- ▶ För rörledningen genom väggen och fäst inneenheten på monteringsplattan (→ bild 9).
- ▶ Till den färgade produkttyperna CLC8101i... T/S/R finns det dessutom spegelplåtar som måste fästas på de aktuella ställena (→ bild 10, [2]).
  - Bestäm position för spegelblåtarna.<sup>1)</sup>
  - Dra av limfolien.
  - Anpassa spegelplåtarna till de redan befintliga spegelplåtarna [1].

Om inneenheten ska tas av från monteringsplattan:

- ▶ Tryck på markeringarna på inneenhetens undersida och dra inneenheten framåt (→ bild 11, [1]).

**i**  
 Vid de båda färgade produkttyperna CLC8101i... T/S/R syns dessa markeringar inte eftersom den spegelplåt är monterad på detta ställe. Trots detta kan inneenheten tas bort från väggen genom att man trycker på detta sätt på motsvarande ställen.

**3.3.2 Montera uteenheten**

- ▶ Rikta in kartongen uppåt.
- ▶ Skär upp låsbanden och ta bort dem.
- ▶ Dra av kartongen uppåt och ta bort förpackningen.

1) Beroende på rörens position behövs antingen alla 4 spegelplåtarna eller bara 3.

Rörytterdiameter Ø [mm]	Åtdragningsmoment [Nm]	Den koniska öppningens diameter (A) [mm]	Konisk rörände	Förmonterad konisk muttergång
6,35 (1/4")	18-20	8,4-8,7		1/4"
9,53 (3/8")	32-39	13,2-13,5		3/8"

Tab. 6 Rörkopplingarnas specifikation

**3.4.2 Ansluta kondensatutloppet till inneenheten**

Inneenhetens kondenstråg är utrustad med två anslutningar. Från fabrik är en kondensslang och en plugg monterad på den och dessa kan bytas (→ bild 6).

- ▶ Dra kondensslangen med lutning.

- ▶ Förbered en ställning eller ett väggfäste beroende på installations-sätt.
- ▶ Ställ upp eller häng upp uteenheten och använd de medföljande vibrationsdämparna eller sådana som tillhandahålls av kunden för fötterna.
- ▶ Säkerställ kondensatavloppet tillhandahålls av kunden.
- ▶ Ta bort skyddet för röranslutningarna (→ bild 12).
- ▶ Utför röranslutningarna som i kapitlet 3.4.
- ▶ Montera skyddet för röranslutningarna igen.

**3.4 Anslutning av rörledningarna**

**3.4.1 Ansluta köldmedieledningarna till inne- och uteenheten**

**SE UPP**

**Det tränger ut köldmedium på grund av otäta anslutningar**

Köldmedium kan tränga ut på grund av felaktigt utförda rörledningsanslutningar.

- ▶ Vid återanvändning av koniska kopplingar ska flänsdelen alltid nyttillverkas.

**i**  
 Kopparrör finns i metriska mått och i tummått men flänsmutterns gängor är dock desamma. De flänskruvförbanden på inne- och på uteenheten är avsedda för tummått.

- ▶ Vid användning av metriska kopparrör ska de koniska muttrarna bytas mot sådana med en passande diameter (→ tabell 6).

- ▶ Bestäm rördiameter och rörlängd (→ sidan 31).
- ▶ Skär till rör med en rörskårare (→ Bild 7).
- ▶ Avgrada rörändarna på innersidan och knacka ur spånen.
- ▶ Sätt muttern på röret.
- ▶ Utvidga röret med en konisk klocka till måttet från tabellen 6. Muttern måste gå lätt att skjuta till kanten men inte längre.
- ▶ Anslut röret och dra åt rörkopplingen till åtdragningsmomentet från tabellen 6.
- ▶ Upprepa steget ovan för det andra röret.

**ANVISNING**

**Reducerad nyttoverkningsgrad på grund av värmeöverföring mellan köldmedieledningarna**

- ▶ Värmeisolera köldmedieledningarna separerade från varandra.

- ▶ Sätt på rörens isolering och fixera den.

### 3.4.3 Kontrollera anläggningens täthet och fyll på

#### Kontrollera tätheten

Följ de nationella och lokala bestämmelserna vid täthetskontrollen.

- ▶ Ta bort de tre ventilernas lock (→ bild 13, [1], [2] och [3]).
- ▶ Anslut schraderöppningen [6] och tryckmätaren [4] till schraderventilen [1].
- ▶ Skruva in schraderöppnaren och öppna schraderventilen [1].
- ▶ Låt ventiler [2] och [3] vara stängda och fyll på anläggningen med kväve tills trycket 10 % ligger över det nominella trycket på 42,5 bar.
- ▶ Kontrollera om trycket är oförändrat efter 10 minuter.
- ▶ Släpp in kväve tills det nominella trycket har uppnåtts.
- ▶ Kontrollera om trycket är oförändrat efter minst 1 timme.
- ▶ Släpp ut kvävet.

#### Fylla på anläggningen

##### ANVISNING

#### Funktionsstörning på grund av felaktigt köldmedium

Uteenheten är fylld med köldmediet R32 från fabrik.

- ▶ Fyll endast på med likvärdigt köldmedium om köldmediet måste kompletteras. Blanda inte köldmedietyper.
- ▶ Evakuera anläggningen med en vakuumpump (→ bild 13, [5]) under minst 30 minuter och torka tills cirka -1 bar (eller cirka 500 mikron) har uppnåtts.
- ▶ Öppna den övre ventilen [3] (vätskesidan).
- ▶ Kontrollera med tryckmätaren [4] om flödet är fritt.
- ▶ Öppna den nedre ventilen [2] (gassidan). Köldmediet fördelas i anläggningen.
- ▶ Kontrollera sedan tryckförhållandena.
- ▶ Skruva ut schraderöppnaren [6] och stäng schraderventilen [1].
- ▶ Ta bort vakuumpumpen, tryckmätaren och schraderöppnaren.
- ▶ Sätt på ventilernas lock igen.
- ▶ Montera skyddet för röranslutningarna igen på uteenheten.

## 3.5 Elektrisk anslutning

### 3.5.1 Allmänna anvisningar



#### VARNING

#### Livs fara på grund av elektrisk ström!

Kontakt med elektriska, strömförande delar kan ge elektriska stötar.

- ▶ Innan arbeten på elektriska delar ska spänningsmatningen avbrytas på alla poler (säkring, LS-brytare) och säkras mot oavsiktlig återin-koppling.
- ▶ Arbeten med elsystemet får endast utföras av en behörig elektriker.
- ▶ Observera skyddsåtgärder enligt nationella och internationella föreskrifter.
- ▶ Om det finns en säkerhetsrisk i nätspänningen eller vid en kortslutning under installationen ska användaren informeras skriftligt och apparaterna inte installeras förrän problemet är avhjälpt.
- ▶ Utför alla elanslutningar enligt det elektriska anslutningsschemat.
- ▶ Kabelisoleringen får endast skäras med ett speciellt verktyg.
- ▶ Anslut inte fler förbrukare till apparatens nätanslutning.
- ▶ Förväxla inte en fas och nolledaren. Detta kan leda till funktionsstörningar.
- ▶ Vid en fast nätanslutning ska ett överspänningsskydd och en frånskjutare installeras som är utformad för 1,5 gånger apparatens maximala effektförbrukning.

### 3.5.2 Ansluta inneenheten

Inneenheten ansluts till uteenheten via en 4-trådig kommunikationskabel av typen H07RN-F. Kommunikationskabelns tvärsnittsarea ska vara minst 1,5 mm<sup>2</sup>.


##### ANVISNING

#### Sakskador på grund av felaktigt ansluten inneenhet

Inneenheten försörjs med spänning via uteenheten.

- ▶ Inneenheten får endast anslutas till uteenheten.

För anslutning av kommunikationskabeln:

- ▶ Öppna takplåten och frontplåten.
  - Lossa takplåtens lås.
  - Håll takplåten mot den egna kroppen och lyft upp den.
  - Lossa frontplåten från hakarna och dra skenan på längden framåt. (→ bild 14).
- ▶ Förbered anslutningskabelns ände [3] för inneenheten (→ bild 15 till 16).
- ▶ Ta bort skruven [4] och ta bort anslutningsplintens skydd [5].
- ▶ Ordna med en kabelgenomföring på inneenhetens baksida och för igenom kabeln.
- ▶ Anslut kabeln till anslutningsplintarna N, 1, 2.
- ▶ Anslut skyddsledaren [2] till .
- ▶ Notera ledernas tilldelning till anslutningsplintarna.
- ▶ Fäst anslutningsplintens skydd igen.
- ▶ Fäst frontplåten och takplåten igen.
- ▶ För kabeln till uteenheten.

### 3.5.3 Ansluta uteenheten

En strömkabel (3-trådig) och kommunikationskabeln till inneenheten (4-trådig) ansluts till uteenheten. Använd kablar av typen H07RN-F med tillräcklig tvärsnittsarea och säkra nätanslutningen med en säkring (→ tabell 7).



Uteenhet	Nätsäkring	Tvärsnittsarea	
		Elkabel	Kommunikationskabel
Alla typer	16 A	≥ 1,5 mm <sup>2</sup>	≥ 1,5 mm <sup>2</sup>

Tab. 7

- ▶ Förbered strömkabelns ände (→ bild 17).
- ▶ Förbered kommunikationskabelns ände (→ bild 18).
- ▶ Ta bort den elanslutningens skydd [3+6] (→ bild 19).



Modell CLC6101i... har endast det yttre skyddet [3].

- ▶ Säkra strömkabeln [2] och kommunikationskabeln [1] på dragavlastningen [4]. Lägg vid behov det medföljande inlägget [5] däremellan.
- ▶ Anslut strömkabeln till anslutningsplintarna N, 1, och .
- ▶ Anslut kommunikationskabeln till anslutningsplintarna N, 1, 2 och  (ledarnas tilldelning till anslutningsplintarna som vid inneenheten).
- ▶ Fäst skyddet igen.

## 4 Driftsättning

### 4.1 Checklista för driftsättningen

1	Uteenheten och inneenheten är korrekt monterade.	
2	Rören är korrekt <ul style="list-style-type: none"> <li>• 3 ansluten.</li> <li>• värmeisolerade och</li> <li>• deras täthet har kontrollerats.</li> </ul>	
3	Ett ordentligt kondensatavlopp har ordnats och testats.	
4	Elanslutningen har utförts korrekt. <ul style="list-style-type: none"> <li>• Strömförsörjningen är i det normala området</li> <li>• Skyddsledaren är korrekt monterad</li> <li>• Anslutningskabeln har monterats fast på kopplingslisten</li> </ul>	
5	Alla skydd har monterats och fästs.	
6	Inneenhetens luftledarplåt är korrekt monterad och ställdonet har gått i ingrepp.	

Tab. 8

### 4.2 Funktionskontroll

Efter utförd installation med täthetskontroll och elanslutning kan systemet testas:

- ▶ Ordna med spänningsförsörjning.
- ▶ Starta inneenheten med fjärrkontrollen.
- ▶ Håll knappen **ON/OFF** [1] intryckt i 5 sekunder för att ställa in kyl läget (→ bild 20)  
En pipton hörs och driftlampan blinkar.
- ▶ Testa kyl läget under 5 minuter.
- ▶ Säkerställ luftledarplåtens rörelsefrihet [2].
- ▶ Välj värmedrift på fjärrkontrollen.

Felkod	Möjlig orsak
00 – 0	Normal drift
01 – ...	Kortslutning på uteenhetens termistor
02 – ...	Fel på grund av hög temperatur i kompressorn eller värmeväxlaren
03 – 0	Uteenheten har stängts av en kort tid för skydd.
05 – ...	Öppen strömkrets på uteenhetens termistor
06 – ...	Överbelastning på grund av otillräckligt kylmedium eller blockerat luftintag/luftutsläpp. Fel på IPM-modulen eller kraftkortets överströmsskydd på uteenheten.
07 – ...	
09 – ...	Fel på termistorn eller fyrvägsventilen respektive otillräckligt med köldmedium.
10 – ...	Parameterfel i uteenhetens EEPROM
11 – ...	Fel på uteenhetens fläkt
13 – ...	Fel på kompressorn vid uppstart eller drift
14 – ...	Fel vid impuls-amplitud-moduleringen
17 – ...	Felaktig elanslutning för apparater med öppen strömkrets
18 – ...	Felaktig elanslutning för apparater med kortslutning
19 – ...	Fel på inneenhetens fläkt
20 – ...	Parameterfel i inneenhetens EEPROM
24 – ...	Kommunikationsstörning för inneenheten med WLAN
26 – ...	Fel på en av inneenhetens termistorer

Tab. 9

- ▶ Testa värmedriften under 5 minuter.
- ▶ Tryck på knappen **ON/OFF** igen för att avsluta driften.

### 4.3 Överlämning till användaren

- ▶ Lämna över installatörshandledningen till kunden när systemet är inriktat.
- ▶ Förklara användningen av systemet för kunden med hjälp av bruksanvisningen.
- ▶ Rekommendera kunden att läsa igenom bruksanvisningen omsorgsfullt.

## 5 Åtgärdande av fel

### 5.1 Fel med indikering



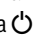
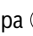
#### VARNING

#### Livsfara på grund av elektrisk ström!

Kontakt med elektriska, strömförande delar kan ge elektriska stötar.

- ▶ Innan arbeten på elektriska delar ska spänningsmatningen avbrytas på alla poler (säkring, LS-brytare) och säkras mot oavsiktlig återin-koppling.

Ett fel på apparaten kan även signaleras genom att följande lampor blinkar sekventiellt:

- Driftlampa  (grön)
- Timer-lampa  (orange)
- Plasmaklusterlampa (blå)

Antalet blinkningar anger felkodens siffror.

Vid fel **23 – 4** blinkar exempelvis den gröna lampan 2 gånger, sedan blinkar den orange lampan 3 gånger och den blå lampan 4 gånger. Alternativt kan felkoden hämtas via fjärrkontrollens → bruksanvisning.

Om ett fel pågår under längre tid än 10 minuter:

- ▶ Bryt spänningsförsörjningen under en kort tid och starta inneenheten.

Om det inte går att åtgärda ett fel:

- ▶ Kontakta serviceorganisationen och uppge felkoden samt information om apparaten.

## 5.2 Fel utan indikering

Fel	Möjlig orsak	Åtgärd
Inneenhetens effekt är för svag.	Ute- och inneenhetens värmepåväxlare är smutsiga.	► Rengör ute- och inneenhetens värmepåväxlare.
	För lite köldmedium	► Kontrollera rören beträffande täthet, täta dem eventuellt igen. ► Fyll på köldmedium.
Uteenheten eller inneenheten fungerar inte.	Ingen ström	► Kontrollera strömanslutningen. ► Starta inneenheten.
	Säkring har utlöst.	► Kontrollera strömanslutningen. ► Byt säkring.
Uteenheten och inneenheten startar och stoppar ständigt.	För lite köldmedium i systemet.	► Kontrollera rören beträffande täthet, täta dem eventuellt igen. ► Fyll på köldmedium.
	För mycket köldmedium i systemet.	Ta upp köldmedium med en apparat för återvinning av köldmedium.
	Fuktighet eller orenheter i köldmediekretsen.	► Evakuera köldmediekretsen. ► Fyll på nytt köldmedium.
	Spänningsvariationerna är för höga.	► Montera en spänningsregulator.
	Kompressorn är defekt.	► Byt kompressorn.

Tab. 10

## 6 Miljöskydd och avfallshantering

Miljöskydd är en grundläggande företagsstrategi hos Bosch-gruppen. Kvaliteteten på våra produkter, deras ekonomi och miljösäkerhet har lika stor betydelse för oss, och all miljöskyddslagstiftning och förordningar följs strikt.

Vi använder bästa möjliga teknologi och material för att skydda miljön och tar hänsyn till ekonomiska faktorer.

### Förpackning

När det gäller förpackning är vi delaktiga i de landsspecifika sorterings-system som garanterar optimal återvinning.

Alla förpackningsmaterial som används är miljövänliga och kan återvinnas.

### Uttjänt utrustning

Uttjänt utrustning innehåller material som kan återanvändas.

Det är lätt att separera komponentgrupperna. Alla plaster har markerats. På så sätt kan de olika komponentgrupperna sorteras och lämnas till återvinning eller avfallshantering.

### Avfall som utgörs av eller innehåller elektrisk och elektronisk utrustning



Denna symbol betyder att produkten inte får avfallshandteras med annat avfall utan måste föras till avfallsinsamlingsställen för behandling, insamling, återvinning och avfallshantering.

Symbolen gäller för länder med föreskrifter om elektronikavfall, t.ex. "EU-direktiv 2012/19/EG om avfall som utgörs av eller innehåller elektrisk och elektronisk utrustning (WEEE)". Dessa föreskrifter fastställer ramvillkoren som gäller för retur och återvinning av uttjänt elektronikutrustning i de enskilda länderna.

Eftersom elektriska apparater kan innehålla farliga ämnen måste de återvinnas medvetet för att minimera möjliga miljöskador och risker för människans hälsa. Därutöver bidrar återvinning av elektronikskrot till att spara på naturresurserna.

För ytterligare information om en miljövänlig avfallshantering av avfall som utgörs av eller innehåller elektrisk och elektronisk utrustning, vänd dig till ansvariga myndigheter på plats, ditt avfallshandlingsföretag eller till den återförsäljare du har köpt produkten av.

Ytterligare information hittar du här:

[www.weee.bosch-thermotechnology.com/](http://www.weee.bosch-thermotechnology.com/)

### Batterier

Batterier får inte kastas i hushållsavfall. Förbrukade batterier måste lämnas på kommunala insamlingsplatser.

### Köldmedium R32



Apparaten innehåller fluorerade växthusgaser R32 (växthuspotential 675<sup>1)</sup>) med låg brännbarhet och låg giftighet (A2L eller A2).

Den mängd som ingår finns angiven på uteenhetens typskylt.

Köldmedier är en fara för miljön och måste samlas upp och avfallshandteras separat.

## 7 Dataskyddsanvisning



Vi, **Bosch Thermoteknik AB, Hjälmavägen 8, 573 38 Tranås, Sverige**, behandlar produktinformation och monteringsanvisningar, tekniska data och anslutningsdata, kommunikationsdata, produktregistrering och historisk kunddata för att tillhandahålla produktfunktionalitet (art. 6 (1) paragraf 1 (b) GDPR), för

att uppfylla vår plikt angående produktövervakning och för produktsäkerhet och säkerhetsskäl (art. 6 (1) paragraf 1 (f) GDPR) för att säkerställa våra rättigheter i anslutning till garanti- och produktregistreringsfrågor (art. 6 (1) paragraf 1 (f) GDPR) och analysera distributionen av våra produkter och för att tillhandahålla individanpassad information och erbjudanden relaterade till produkten (art. 6 (1) paragraf 1 (f) GDPR). För att tillhandahålla tjänster som sälj- och marknadsföringstjänster, kontrakthantering, hantering av betalningar, programmering, allmän datahantering samt hotline/support-tjänster kan vi hantera och överföra data till externa tjänsteleverantörer och/eller Bosch-anknutna företag. I vissa fall, men bara om tillräckligt dataskydd kan garanteras, kan persondata överföras till mottagare belägna utanför det Europeiska ekonomiska samarbetsområdet. Mer information kan erhållas på begäran. Du kan kontakta vår dataskyddsansvariga här: Data Protection Officer, Information Security and Privacy (C/ISP), Robert Bosch GmbH, Postfach 30 02 20, 70442 Stuttgart, TYSKLAND.

Du har rätt att invända mot hanteringen av dina personuppgifter baserat på art. 6 (1) paragraf 1 (f) GDPR på grunder som är relaterade till din specifika situation eller för direkta marknadsföringsändamål när som helst. För att utnyttja dina rättigheter kan du kontakta oss på [privacy.tse@bosch.com](mailto:privacy.tse@bosch.com). För mer information kan du använda QR-koden.

1) enligt bilaga I i Europaparlamentets och rådets förordning (EU) nr 517/2014 av den 16 april 2014.

## Sisukord

<b>1</b>	<b>Tähiste seletus ja ohutusjuhised</b> .....	<b>37</b>
1.1	Sümbolite selgitus .....	37
1.2	Üldised ohutusjuhised .....	37
1.3	Juhised selle juhendi kohta .....	38
<b>2</b>	<b>Andmed toote kohta</b> .....	<b>38</b>
2.1	Vastavustunnistus .....	38
2.2	Lihtsustatud EÜ vastavusdeklaratsioon raadioseadmete kohta .....	38
2.3	Tarnekomplekt .....	38
2.4	Toote mõõtmed ja minimaalsed vahekaugused .....	38
2.4.1	Sise- ja välisseade .....	38
2.4.2	Külmaainetorud .....	38
<b>3</b>	<b>Paigaldamine</b> .....	<b>39</b>
3.1	Enne paigaldamist .....	39
3.2	Nõuded paigalduskoha kohta .....	39
3.3	Seadme paigaldamine .....	39
3.3.1	Siseseadme paigaldamine .....	39
3.3.2	Välisseadme paigaldamine .....	40
3.4	Torude ühendamine .....	40
3.4.1	Ühendage külmaainetorud sise- ja välisseadme külge .....	40
3.4.2	Kondensaadi äravoolu ühendamine siseseadme külge .....	40
3.4.3	Lekete puudumise kontrollimine ja seadme täitmine .....	40
3.5	Elektriühendus .....	41
3.5.1	Üldised juhised .....	41
3.5.2	Siseüksuse ühendamine .....	41
3.5.3	Välisseadme ühendamine .....	41
<b>4</b>	<b>Kasutuselevõtmine</b> .....	<b>41</b>
4.1	Kasutusele võtmise kontrollnimekiri .....	41
4.2	Talituskontroll .....	42
4.3	Kasutajale üleandmine .....	42
<b>5</b>	<b>Tõrgete kõrvaldamine</b> .....	<b>42</b>
5.1	Tõrgete näidikud .....	42
5.2	Näiduta tõrked .....	42
<b>6</b>	<b>Keskkonna kaitsmine, kasutuselt kõrvaldamine</b> .....	<b>43</b>
<b>7</b>	<b>Andmekaitsedeklaratsioon</b> .....	<b>43</b>

## 1 Tähist seletus ja ohutusjuhised

### 1.1 Sümbolite selgitus

#### Hoiaused

Hoiaustes esitatud hoiatussõnad näitavad ohutusmeetmete järgimata jätmisel tekkivate ohtude laadi ja raskusastet.

Järgmised hoiatussõnad on kindlaks määratud ja võivad esineda selles dokumendis:



**OHTLIK**

**OHT** tähendab inimestele raskete kuni eluohtlike vigastuste ohtu.



**HOIATUS**

**HOIATUS** tähendab inimestele raskete kuni eluohtlike vigastuste võimalust.



**ETTEVAATUST**

**ETTEVAATUST** tähendab inimestele keskmise raskusega vigastuste ohtu.




**TEATIS**

**MÄRKUS** tähendab, et tekkida võib varaline kahju.

#### Oluline teave



See infotähis näitab olulist teavet, mis ei ole seotud ohuga inimestele ega esemetele.

Tähis	Tähendus
	Hoiatus süttivate ainete eest: külmaaine R32 selles tootes on raskesti süttiv ja vähemürge aine (A2L või A2).
	Hooldust peab tegema kvalifitseeritud isik, järgides hooldusjuhendis toodud juhiseid.
	Järgige kasutamisel kasutusjuhendi juhiseid.

Tab. 1

### 1.2 Üldised ohutusjuhised

#### Märkused sihtrühmale

See paigaldusjuhend on mõeldud jahutus- ja kliimaseadmete ning elektrisüsteemide spetsialistidele. Järgida tuleb kõigis seadmega seotud juhendites esitatud juhiseid. Nende järgimata jätmise võib kahjustada seadmeid ja põhjustada kuni eluohtlike vigastusi.

- ▶ Enne paigaldamist lugege kõikide seadme komponentide paigaldusjuhendeid.
- ▶ Järgida tuleb ohutusjuhiseid ja hoiatusi.
- ▶ Järgida tuleb konkreetsetes riigis ja piirkonnas kehtivaid eeskirju, tehnilisi nõudeid ja ettekirjutusi.

- ▶ Tehtud tööd tuleb dokumenteerida.

### **⚠ Ettenähtud kasutamine**

Seade pole mõeldud äriliseks kasutamiseks. Tootja ei vastuta seadme mittenõuetekohasest kasutamisest ja sellest tulenevate kahjude eest.

### **⚠ Üldised külmaainega seotud ohud**

- ▶ See seade on täidetud külmaainega R32. Külmaaine gaas võib tulega kokku puutudes moodustada mürgiseid gaase.
- ▶ Kui paigaldamise ajal lekib külmaainet, õhutage hoolikalt ruumi.
- ▶ Pärast paigaldamist kontrollige lekete puudumist seadmel.
- ▶ Ärge laske külmaaine kontuuri sattuda muudel ainetel kui nimetatud külmaained (R32).

### **⚠ Elektriliste majapidamismasinade ja muude taoliste elektriseadmete ohutus**

Elektriseadmetest lähtuvate ohtude vältimiseks kehtivad standardile EN 60335-1 vastavalt järgmised nõuded:

„Seda seadet võivad kasutada 8-aastased ja vanemad lapsed ning piiratud füüsiliste, tunnetuslike või vaimsete võimetega või puuduvate kogemuste ja teadmistega isikud, kui nad on järelevalve all või kui neile on selgitatud seadme turvalist kasutamist ja nad sellest lähtuvaid ohtusid mõistavad. Lapsed ei tohi seadmega mängida. Puhastamist ja kasutajahooldust ei tohi lasta lastel teha ilma järelevalveta.”

„Kui elektritoitejuhe on kahjustatud, tuleb see ohtude vältimiseks lasta tootjal, tema klienditeenindusel või mõnel teisel sarnase kvalifikatsiooniga isikul välja vahetada.”

### **⚠ Kasutajale üleandmine**

Üleandmisel tuleb küttesüsteemi kasutaja tähelepanu juhtida kliimaseadme kasutamisele ja kasutustingimustele.

- ▶ Süsteemi kasutamise selgitamisel tuleb eriti suurt tähelepanu pöörata kõigele sellele, mis on oluline ohutuse tagamiseks.
- ▶ Kasutajale tuleb eelkõige selgitada järgmist.
  - Süsteemi ümberseadistamist ja remonditöid on tohib teha ainult kütteseadmetele spetsialiseerunud eriala-ettevõtte.
  - Süsteemi ohutu ja keskkonnahoidliku töö tagamiseks tuleb teha vähemalt kord aastas ülevaatus ning vajaduspõhine puhastamine ja hooldus.

- ▶ Tähelepanu tuleb juhtida puuduva või asjatundmatu ülevaatus, puhastamise ja hoolduse võimalikele tagajärgedele (inimvigastused, mis võivad olla eluohtlikud, varaline kahju).
- ▶ Seadme kasutajale tuleb üle anda paigaldus- ja kasutusjuhendid ning paluda need edaspidiseks kasutamiseks alles hoida.

### **1.3 Juhised selle juhendi kohta**

Joonised on koondatud juhendi lõppu. Tekst sisaldab viiteid joonistele.

Tooted võivad mudeliti juhendi kujutistest erineda.

## **2 Andmed toote kohta**

### **2.1 Vastavustunnistus**

Selle toote konstruktsioon ja tööparameetrid vastavad Euroopa direktiividele ja riigisisestele nõuetele.

**CE** Selle CE-märgisega deklareeritakse toote vastavust kõigile kohalduvatele EL-i õigusaktidele, mis näevad ette selle märgise kasutamise.

Vastavusdeklaratsiooni terviktekst on saadaval internetis: [www.junkers.ee](http://www.junkers.ee).

### **2.2 Lihtsustatud EÜ vastavusdeklaratsioon raadioseadmete kohta**

Käesolevaga deklareerib Bosch Thermotechnik GmbH, et selles juhendis kirjeldatav toode on kooskõlas Climate Class 6100i/8100i direktiivi 2014/53/EL kohase raadiotehnoloogiaga.

EÜ vastavusdeklaratsiooni terviktekst on saadaval internetis: [www.junkers.ee](http://www.junkers.ee).

### **2.3 Tarnekomplekt**

#### **Joonise legend 1:**

- [1] Välisseade (täidetud külmaainega)
- [2] Siseseade (täidetud lämmastikuga)
- [3] Montaažiplaat
- [4] Peegliplekk (ainult värviliste CLC8101i... T/S/R mudelite jaoks)<sup>1)</sup>
- [5] Kruviga klemmikate
- [6] Patareidega kaugjuhtimispult
- [7] Seadme dokumentatsiooni sildid
- [8] Kinnitusmaterjal (7 pikka kruvi, 1 spetsiaalne kruvi kaugjuhtimispuldi kinnitamiseks ja 8 tüüblit)
- [9] Plekk (kaabli kinnitamiseks tõmbetõkises)

### **2.4 Toote mõõtmed ja minimaalsed vahekaugused**

#### **2.4.1 Sise- ja välisseade**

Joon. 2

- [1] Tüüblid (tarnekomplekt)
- [2] Spetsiaalne kruvi (tarnekomplekt)

A Mudel CLC8101i...

B Mudel CLC6101i...

#### **2.4.2 Külmaainetorud**

##### **Joonise legend 3:**

- [1] Gaasipoolne toru
- [2] Vedelikupoolne toru
- [3] Sifoonikujuline põlv õliseparaatorina

1) Peegliplekkide kinnitamine → pilt 10



Kui välisseade paigutatakse siseseadme kõrgemale, tehke gaasipoolel vähemalt 6 m sifoonikujuline põlv ja iga 6 m järel veel üks sifoonikujuline põlv (→ pilt 3, [1]).

- ▶ Järgige maksimaalset torupikkust ja maksimaalset kõrguste erinevust sise- ja välisseadme vahel.

	Toru maksimumpikkus <sup>1)</sup> [m]	Maksimaalne kõrguste vahe [m]
Kõik tüübid	≤ 15	≤ 10

1) Gaasi- või vedelikupool

Tab. 2 Toru pikkus ja kõrguste vahe

Seadme tüüp	Toru läbimõõt	
	Vedelikupool [mm]	Gaasipool [mm]
Kõik tüübid	6,35 (1/4")	9,53 (3/8")

Tab. 3 Toru läbimõõt olenevalt seadme tüübist

Toru läbimõõt [mm]	Alternatiivne toru läbimõõt [mm]
6,35 (1/4")	6
9,53 (3/8")	10

Tab. 4 Alternatiivne toru läbimõõt

Torude spetsifikatsioon	
Min torustiku pikkus	3 m
Standardne torustiku pikkus	5 m
Lisakülmaaine torustiku pikkuse korral üle 7,5 m (vedelikupool)	CLC6101i...: 15 g/m CLC8101i...: 0 g/m
Toru paksus 6,35 mm kuni 12,7 mm toruläbimõõdu korral	≥ 0,8 mm
Paks ülekuumenemiskaitse	≥ 6 mm
Ülekuumenemiskaitse materjal	Polüetüleen-vahtmaterjal

Tab. 5



Torustiku pikkus ilma lisakülmaaine lisamiseta on 7,5 m. Pikema torustiku korral tuleb lisada külmaainet olenevalt torustiku pikkusest. Seejuures on maksimaalne täitekogus 1100 g.

### 3 Paigaldamine

#### 3.1 Enne paigaldamist



#### ETTEVAATUST

#### Vigastuste oht teravate servade tõttu!

- ▶ Paigaldamisel tuleb kanda kaitsekindaid.



#### ETTEVAATUST

#### Põletuseoht!

Torud lähevad töötamise ajal väga kuumaks.

- ▶ Enne puudutamist kontrollige, et torustik oleks jahtunud.
- ▶ Kontrollida, et kõik tarnekomplekti kuuluv on kahjustamata.
- ▶ Kontrollige, kas torude avamisel on kuulda alarõhu tõttu sisinat.

#### 3.2 Nõuded paigalduskoha kohta

- ▶ Järgige minimaalseid vahekaugusi (→ pilt 4).

#### TEATIS

#### Lumi võib seadet kahjustada!

Välisseadme alla kogunev lumi võib tööd mõjutada ja seadet kahjustada. Kui lumi blokeerib kondensaadi äravoolu, koguneb seadmesse jää ja see võib seadet kahjustada.

- ▶ Kontrollige, et välisseadme kondensaadiäravool poleks blokeeritud, oleks alati vaba ja et vesi saaks takistamata ära voolata.
- ▶ Küttrežiimi ja sulatamise jaoks kontrollige, et välisseadme ja lume vahel oleks alati vähemalt 250 mm vahet.

#### Siseüksus

- ▶ Ärge paigaldage siseseadet ruumi, kus kasutatakse lahtiseid süttimisallikaid (nt lahtine leek, töötav gaasiseade või töötav elektrikütteseade).
- ▶ Seadme võib paigaldada 4 m<sup>2</sup> suurusesse ruumi, kui paigalduskõrgus on vähemalt 2,5 m. Väiksema paigalduskõrguse korral peab ruumi pind olema vastavalt suurem.
- ▶ Paigalduskohat ei tohi olla kõrgemal kui 2000 m üle merepinna.
- ▶ Hoidke õhu sisse- ja väljalaskeava mis tahes takistustest vaba, et õhk saaks vabalt ringelda. Muidu võib tekkida jõudluse vähenemine ja suurem müratase.
- ▶ Hoidke teler, raadio ja muud sarnased seadmed vähemalt 1 m kaugusel seadmest ja kaugjuhtimispuldist.
- ▶ Valige siseseadme paigaldamiseks sein, mis summutab vibratsioone.

#### Välisseade

- ▶ Hoidke välisseade eemal masinaõli või kuumadest aurudest, väävelgaasist jms.
- ▶ Ärge paigaldage välisseadet otse vee lähedusse või meretuule kätte.
- ▶ Välisseade peab olema alati lumevaba.
- ▶ Heitõhk või töömüra ei tohi segada.
- ▶ Õhk peab välisseadme ümber vabalt ringlema, kuid seade ei tohi olla tugeva tuule käes.
- ▶ Töö käigus tekkinud kondensaat peab saama vabalt ära voolata. Vajaduse korral paigaldage äravoolutoru. Külmaades piirkondades pole äravooluvooliku paigaldamine soovitatav, kuna see võib jääta.
- ▶ Paigutage välisseade stabiilsele alusele.

#### 3.3 Seadme paigaldamine

#### TEATIS

#### Asjatundmatu paigaldamine võib tekitada ainelist kahju!

Asjatundmatu paigaldamise tulemusena võib seade seinalt maha kukkuda.

- ▶ Seade tuleb monteerida ainult tugevale ja tasasele seinale. Sein peab olema seadme jaoks piisava kandevõimega.
- ▶ Kasutada vaid seinatüübi ja seadme kaalu jaoks ette nähtud kruve ja tüübleid.

#### 3.3.1 Siseseadme paigaldamine

- ▶ Avage karp ja võtke siseseade välja.
- ▶ Asetage siseseade koos pakendi vormitud osadega esiküljele.
- ▶ Võtke paigaldusplaat siseseadme tagaküljelt maha.
- ▶ Määrake kindlaks paigalduskohat ja minimaalsed vahekaugused (→ pilt 2).
- ▶ Kinnitage paigaldusplaat kruvi ja tüübliga keskmise ava kaudu seinale külge ja seadke horisontaalsesse asendisse (→ pilt 4.[1]).
- ▶ Kinnitage paigaldusplaat ülejäänud kuue kruvi ja tüübliga, et paigaldusplaat oleks täielikult seinale vastas.

- ▶ Puurige seinäläbiviik torustiku jaoks (seinäläbiviigu soovitatav asetus siseseadme taga → pilt 5).



Märgistused [1] on mõeldud puurava positsioonimiseks.

- ▶ Vajaduse korral muutke kondensaadi väljavooluava asukohta (→ pilt 6).



Siseseadme toruühendused paiknevad enamasti siseseadme taga. Soovitame pikendada torusid juba enne siseseadme ülesriputamist.

- ▶ Tehke toruühendused, nagu on kirjeldatud peatükis 3.4.
- ▶ Vajaduse korral painutage torustik soovitud suunda ning murdke lahti üks ava kattepleki küljel või põhjal (→ pilt 8).
- ▶ Juhtige toru läbi seina ja kinnitage siseseade paigaldusplaadi külge (→ pilt 9).
- ▶ Värviliste mudelite CLC8101i... T/S/R jaoks on lisapeegelplekid, mis tuleb paigaldada ette nähtud kohtadesse (→ pilt 10, [2]).
  - Tehke kindlaks peegelplekkide positsioon.<sup>1)</sup>
  - Tõmmake liimkile maha.
  - Kohandage peegelplekke juba olemasolevate peegelplekkidega [1].

Kui siseseade tuleb paigaldusplaadilt ära võtta:

- ▶ Vajutage märgistustele siseseadme alumisel küljel ja tõmmake siseseade ettepoole (→ pilt 11, [1]).

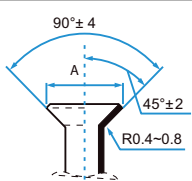


Värviliste mudelite CLC8101i... T/S/R puhul pole neid märgistusi näha, kuna sellele kohale on paigaldatud peegelplekk. Sellegipoolest saab siseseadet ette nähtud kohtadele vajutades seinalt maha võtta.

### 3.3.2 Välisseadme paigaldamine

- ▶ Seadke karp püsti.
- ▶ Lõigake läbi ja eemaldage nöör.
- ▶ Tõmmake karp ülespoole maha ja eemaldage pakend.
- ▶ Olenevalt paigaldusviisist valmistage ette ja monteerige seisu- või seinakonsool.

1) olenevalt torude asukohast läheb tarvis kas kõiki nelja peegelplekki või ainult kolme.

Toru välisläbimõõt Ø [mm]	Pingutusmoment [Nm]	Äärikuga ava läbimõõt (A) [mm]	Ääristatud toruots	Eelpaigaldatud ääriknutri keere
6,35 (1/4")	18-20	8,4-8,7		1/4"
9,53 (3/8")	32-39	13,2-13,5		3/8"

Tab. 6 Toruühenduste nimiametmed

### 3.3.2 Kondensaadi äravoolu ühendamine siseseadme külge

Siseseadme kondensaadivannil on kaks ühendust. Tehases on selle külge paigaldatud kondensaadivoolik ja kork, mida saab vahetada (→ pilt 6).

- ▶ Paigaldage kondensaadivoolik langusega.

### 3.3.3 Lekete puudumise kontrollimine ja seadme täitmine

#### Lekete puudumise kontrollimine

Lekete puudumise kontrollimisel järgige riiklikke ja kohalikke määrusi.

- ▶ Paigaldage või riputage välisseade, kasutades jalgade jaoks kaasapandud või komplekti kuuluvaid vibratsioonisummuteid.
- ▶ Tagage kohapealne kondensaadi äravool.
- ▶ Võtke ära toruühenduste kate (→ pilt 12).
- ▶ Tehke toruühendused, nagu on kirjeldatud peatükis 3.4.
- ▶ Paigaldage toruühenduste kate taas tagasi.

## 3.4 Torude ühendamine

### 3.4.1 Ühendage külmaainetorud sise- ja välisseadme külge



#### ETTEVAATUST

#### Külmaaine väljatungimine lekkivate ühenduste tõttu

Mittenõuetekohaselt tehtud toruühenduste korral võib külmaaine lekkida.

- ▶ Äärikliitmike korduskasutamisel töödelge ääriku osa alati uuesti.



Vasktorud on saadaval meeter- ja tollimõõdustikus, ääriknutri keermed on siiski samad. Keermega äärikliitmikud sise- ja välisseadmel on määratud tollimõõdustikus.

- ▶ Meetermõõdusikus vasktorude kasutamisel vahetage ääriknutrid sobiva läbimõõduga mutrite vastu (→ tabel 6).
- ▶ Määrake kindlaks toru läbimõõt ja pikkus (→ lk 38).
- ▶ Lõigake toru torulõikuri abi õigesse pikkusesse (→ pilt 7).
- ▶ Lihvige toruotsad ja kloppige laastud välja.
- ▶ Pange mutter toru peale.
- ▶ Laiendage toru ääriku töötlemise seadmega tabelis 6 toodud mõõdule. Mutrit peab saama kergelt kuni servani nihutada, kuid mitte üle selle.
- ▶ Ühendage toru ja pingutage keermeühendus tabelis 6 märgitud pingutusmomendiga.
- ▶ Korra eespool kirjeldatud toiminguid teise toruga.

#### TEATIS

#### Vähenenud kasutegur soojusülekande tõttu jahutusaine torude vahel

- ▶ Isoleerige külmaainetorud üksteisest eraldi.

- ▶ Paigaldage ja kinnitage torude isolatsioon.

- ▶ Eemaldage kolme ventiili (→ pilt 13, [1], [2] ja [3]) korgid.
- ▶ Ühendage Schrader-ventiili avaja [6] ja manomeeter [4] Schrader-ventiili [1] külge.
- ▶ Keerake Schrader-ventiili avaja sisse ja avage Schrader-ventiil [1].
- ▶ Jätke ventiilid [2] ja [3] suletuks ning täitke seade lämmastikuga, kuni rõhk 10 % ületab nimirõhku 42,5 bar.
- ▶ Kontrollige, kas rõhk jääb 10 minuti pärast muutumatuks.
- ▶ Laske sisse lämmastik, kuni nimirõhk on saavutatud.
- ▶ Kontrollige, kas rõhk jääb vähemalt 1 tunni pärast muutumatuks.
- ▶ Laske lämmastik välja.



**Süsteemi täitmine**

**TEATIS**

**Talitlushäire vale külmaaine tõttu**

Välisseade on täidetud tehases külmaainega R32.

- ▶ Kui külmaainet tuleb lisada, valage sisse ainult sama külmaainet. Ärge segage erinevat tüüpi külmaaineid.
- ▶ Tühjendage seade vaakumpumba (→ pilt 13, [5]) abil vähemalt 30 minuti jooksul ja kuivatage, kuni on saavutatud ca -1 bar (või ca 500 mikronit).
- ▶ Avage ülemine ventiil [3] (vedelikupool).
- ▶ Kontrollige manomeetri [4] abil, kas läbivool on vaba.
- ▶ Avage alumine ventiil [2] (gaasipool).
- ▶ Külmaaine jaotub seadmes.
- ▶ Seejärel kontrollige rõhutühingumisi.
- ▶ Keerake Schrader-ventiili avaja [6] välja ja sulgege Schrader-ventiil [1].
- ▶ Eemaldage vaakumpump, manomeeter ja Schrader-ventiili avaja.
- ▶ Pange ventiilide klapid taas peale.
- ▶ Pange toruühenduste kate taas välisseadme peale.

**3.5 Elektriühendus**

**3.5.1 Üldised juhised**



**HOIATUS**

**Eluohulik elektrilöögi korral!**

Pingestatud elektriliste detailide puudutamine võib põhjustada elektrilööki.

- ▶ Enne elektritööde alustamist: ühendada elektritoite kõik faasid (kaitse/kaitseüliliti) lahti ja tõkestada kogemata sisselülitamise võimalus.
- ▶ Elektriseadme kallas tohib töid teha ainult volitatud elektrik.
- ▶ Järgida siseriiklikke ja rahvusvahelisi ohutuseeskirju.
- ▶ Ohu tekkimisel võrgupinges või lühise tekkimisel paigaldamise käigus teavitage kasutajat kirjalikult ja ärge paigaldage seadmeid enne, kui probleem on kõrvaldatud.
- ▶ Looge kõik elektriühendused ühendusskeemi järgi.
- ▶ Lõigake kaabli isolatsiooni ainult eritööriistaga.
- ▶ Seadme elektritoitega ei tohi ühendada muid tarviteid.
- ▶ Faasi- ja nulljuhet ei tohi segi ajada. See võib põhjustada talitlushäireid.
- ▶ Püsiva elektritoite korral paigaldage ülepingekaitse ja lahküliliti, mis vastab 1,5-kordsele seadme maksimaalsele võimsusele.

**3.5.2 Siseüksuse ühendamise**

Siseseade ühendatakse välisseadme külge 4-soonelise sidekaabli abil, tüüp H07RN-F. Sidekaabli ristlõike peab olema vähemalt 1,5 mm<sup>2</sup>.

**TEATIS**


**Valesti ühendatud siseseadmest tingitud materiaalne kahju**

Siseseadet varustatakse välisseadme kaudu voolutoitega.

- ▶ Ühendage siseseade välisseadmega.

Sidekaabli ühendamiseks

- ▶ Avage ülemine ja eesmine kate.
  - Vabastage ülemise katte kinnitused.
  - Hoidke ülemine kate oma keha vastas ja tõstke üles.
  - Vabastage eesmine kate haakide küljest ja tõmmake piki siine ettepoole. (→ pilt 14).

- ▶ Valmistage ühenduskaabli ots [3] siseseadme jaoks ette (→ pilt 15 kuni 16).
- ▶ Eemaldage kruvi [4] ja võtke ühendusklemmide kate [5] maha.
- ▶ Murdke kaabliäbiviik siseseadme tagaküljel lahti ja vedage kaabel sellest läbi.
- ▶ Ühendage kaabel klemmide külge N, 1, 2.
- ▶ Ühendage kaitsejuhe [2]  külge.
- ▶ Märkige üles soonte jaotus ühendusklemmide vahel.
- ▶ Kinnitage uuesti lülitusklemmide kate.
- ▶ Kinnitage uuesti eesmine ja ülemine kate.
- ▶ Vedage kaabel välisseadme juurde.

**3.5.3 Välisseadme ühendamise**

Välisseade ühendatakse toite- (3-sooneline) ja sidekaabli (4-sooneline) abil siseseadme külge. Kasutage piisava ristlõikega H07RN-F-tüüpi kaablit ja kindlustage võrguühendus kaitsmega (→ tabel 7).



Välisseade	Võrgukaitse	Juhtme ristlõikepindala	
		Elektritoitekaabel	Sidekaabel
Kõik tüübid	16 A	≥ 1,5 mm <sup>2</sup>	≥ 1,5 mm <sup>2</sup>

Tab. 7

- ▶ Valmistage ette toitekaabli ots (→ pilt 17).
- ▶ Valmistage ette sidekaabli ots (→ pilt 18).
- ▶ Võtke maha elektriühenduse katted [3+6] (→ pilt 19).



Mudelil CLC6101i... on ainult väline kate [3].

- ▶ Kinnitage toite- [2] ja sidekaabel [1] tõmbetõkisega [4]. Vajaduse korral pange vahele kaasapandud vahedetail [5].
- ▶ Ühendage voolukaabel klemmide N, 1, ja  külge.
- ▶ Ühendage sidekaabel klemmide N, 1, 2 ja  külge (soonte jaotus on ühendusklemmidel nii nagu välisseadme puhul).
- ▶ Kinnitage taas katted.

**4 Kasutuselevõtmine**

**4.1 Kasutuselevõtmise kontrollnimekiri**

1	Välis- ja siseseade on nõuetekohaselt paigaldatud.	
2	Torud on nõuetekohaselt <ul style="list-style-type: none"> <li>• ühendatud,</li> <li>• isoleeritud,</li> <li>• tiheduse suhtes kontrollitud.</li> </ul>	
3	Korralik kondensaadi äravool on loodud ja üle kontrollitud.	
4	Elektriühendus on nõuetekohaselt loodud. <ul style="list-style-type: none"> <li>• Elektritoide on normaalses vahemikus.</li> <li>• Kaitsejuhe on nõuetekohaselt kinnitatud.</li> <li>• Ühenduskaabel on kindlalt klemmliistu külge kinnitatud.</li> </ul>	
5	Kõik katted on paigaldatud ja kinnitatud.	
6	Siseseadme õhuplekk on õigesti paigaldatud ja servomootor on fikseeritud.	

Tab. 8

## 4.2 Talitluskontroll

Pärast paigaldamist koos lekkekontrolliga ja elektrilist ühendamist võib süsteemi katsetada.

- ▶ Ühendage elektritoide.
- ▶ Lülitage siseseade kaugjuhtimispuldi abil sisse.
- ▶ Hoidke nuppu **ON/OFF** [1] 5 sekundit allavajutatuna, et seadistada jahutusrežiim (→ pilt 20)  
Kostab piiks ja töötamise märgutuli vilgub.
- ▶ Katsetage jahutusrežiimi 5 minuti jooksul.
- ▶ Kontrollige õhujuhtimispleki [2] vaba liikumist.
- ▶ Valige kaugjuhtimispuldil kütterežiim.
- ▶ Katsetage kütterežiimi 5 minuti jooksul.
- ▶ Töötamise lõpetamiseks vajutage uuesti **ON/OFF**-nuppu.

## 4.3 Kasutajale üleandmine

- ▶ Kui süsteem on tööle seatud, tuleb paigaldusjuhend kliendile üle anda.
- ▶ Selgitage kliendile süsteemi kasutamist kasutusjuhendi põhjal.
- ▶ Soovitage kliendil kasutusjuhend tähelepanelikult läbi lugeda.

## 5 Tõrgete kõrvaldamine

### 5.1 Tõrgete näidikud




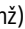
#### HOIATUS

#### Eluohtlik elektrilöögi korral!

Pingestatud elektriliste detailide puudutamine võib põhjustada elektrilööki.

- ▶ Enne elektritööde alustamist: ühendada elektritoite kõik faasid (kaitse/kaitseülilüti) lahti ja tõkestada kogemata sisselülitamise võimalus.

Seadme tõrkest võidakse märku anda ka järgmiste märgutulede järjestikuse vilkumisega:

- töötamise märgutuli  (roheline)
- taimer märgutuli  (oranž)
- Plasmacluster-märgutuli (sinine)

Vilkumiskordade arv viitab tõrkekoodi numbrile.

Näiteks vilgub tõrke **23 – 4** korral roheline märgutuli 2 korda, seejärel vilgub oranž märgutuli 3 korda ja sinine märgutuli 4 korda. Rikkekoodi saab vaadata ka kaugjuhtimispuldi abil → kasutusjuhend.

Kui tõrge esineb üle 10 minuti jooksul:

- ▶ lahutage korraks elektritoide ja lülitage siseseade uuesti sisse.

Kui tõrget ei õnnestu kõrvaldada:

- ▶ helistage klienditeenindusse ning teatage tõrkekood ja seadme andmed.

Tõrkekood	Võimalik põhjus
00 – 0	Tavarežiim
01 – ...	Lühis välisseadme termistoris
02 – ...	Tõrge on tekkinud liiga suurest temperatuurist kompressoris või soojusvahetis.
03 – 0	Välisseade on kaitseks lühikest aega välja lülitatud.
05 – ...	Avatud elektriahel välisseadme termistoril
06 – ...	Ülekoormus ebapiisava külmaaine või blokeeritud õhu sisse-/väljalaskeava tõttu. Tõrge välisseadme peajuhtplaadi IPM-moodulil või ülepingekaitsmel.
07 – ...	
09 – ...	Rike termistoril või 4-suunalisel ventiilil või ebapiisav külmaaine.
10 – ...	Parameetrite tõrge välisseadme EEPROMis
11 – ...	Välisseadme ventilaatori tõrge
13 – ...	Kompressori tõrge käivitamise või töötamise ajal
14 – ...	Impulsi amplituudi modulatsiooni tõrge
17 – ...	Avatud elektriahelaga seadmete vale elektriühendus
18 – ...	Lühistatud seadmete vale elektriühendus
19 – ...	Siseseadme ventilaatori tõrge
20 – ...	Parameetrite tõrge siseseadme EEPROMis
24 – ...	Sidetõrge siseseadme ja WLAN vahel
26 – ...	Siseseadme termistori tõrge

Tab. 9

### 5.2 Näiduta tõrked

Tõrge	Võimalik põhjus	Tõrke kõrvaldamine
Siseseadme võimsus liiga väike	Välis- või siseseadme soojusvaheti on määratud	▶ Puhastage välis- või siseseadme soojusvaheti
	Liiga vähe külmaainet	▶ Kontrollige torusid lekkimise suhtes, vajaduse korral tihendage uuesti. ▶ Lisage külmaainet
Välis- või siseseade ei tööta	Puudub elektritoide	▶ Kontrollige elektriühendust ▶ Lülitage siseseade sisse
	Kaitse on rakendunud.	▶ Kontrollige elektriühendust ▶ Vahetage kaitse välja

Tõrge	Võimalik põhjus	Tõrke kõrvaldamine
Välis- või siseseade käivitub ja seiskub pidevalt	Liiga vähe külmaainet süsteemis	<ul style="list-style-type: none"> <li>▶ Kontrollige torusid lekkimise suhtes, vajaduse korral tihendage uuesti.</li> <li>▶ Lisage külmaainet</li> </ul>
	Liiga palju külmaainet süsteemis	Väljutage külmaaine seadmest, et külmaaine ringlusse võtta
	Niiskus või mustus külmaaine kontuuris	<ul style="list-style-type: none"> <li>▶ Tühjendage külmaaine kontuur</li> <li>▶ Valage sisse uus külmaaine</li> </ul>
	Liiga suured pingekõikumised	▶ Paigaldage pingeregulaator
	Kompressor on defektne	▶ Vahetage kompressor välja.

Tab. 10

## 6 Keskkonna kaitsmine, kasutuselt kõrvaldamine

Keskkonnakaitse on üheks Bosch-grupi ettevõtete töö põhialuseks. Toodete kvaliteet, ökonoomsus ja loodushoid on meie jaoks võrdväärse tähtsusega eesmärgid. Loodushoiu seadusi ja normdokumente järgitakse rangelt. Keskkonna säästmiseks kasutame parimaid võimalikke tehnilisi lahendusi ja materjale, pidades samal ajal silmas ka ökonoomsust.

### Pakend

Pakendid tuleb saata asukohariigi ümbertöötlussüsteemi, mis tagab nende optimaalse taaskasutamise. Kõik kasutatud pakkematerjalid on keskkonnasäästlikud ja taaskasutatavad.

### Vana seade

Vanad seadmed sisaldavad materjale, mida on võimalik taaskasutusse suunata. Konstruksiooniosioni on lihtne eraldada. Plastid on vastavalt tähistatud. Nii saab erinevaid komponente sorteerida, taaskasutusse anda või kasutuselt kõrvaldada.

### Vanad elektri- ja elektroonikaseadmed



See sümbol tähendab, et toodet ei tohi koos muude jäätmetega utiliseerida, vaid tuleb töötlemise, kogumise, taaskasutamise ja kasutuselt kõrvaldamise jaoks viia jäätmekogumispunktidesse.

Sümbol kehtib riikidele, millel on elektroonikaromude eeskirjad, nt normdokumentatsioon Euroopa direktiiv 2012/19/EÜ elektri- ja elektroonikaseadmetest tekkinud jäätmete kohta. Need eeskirjad seavad raamtingimused, mis kehtivad erinevates riikides vanade elektroonikaseadmete tagastamisele ja taaskasutamisele.

Kuna elektroonikaseadmed võivad sisaldada ohtlikke materjale, tuleb need vastutustundlikult taaskasutada, et muuta võimalikud keskkonnakahjud ja ohud inimtervisele võimalikult väikseks. Peale selle on elektroonikaromude taaskasutus panus looduslike ressursside säästmisesse.

Lisateabe saamiseks vanade elektri- ja elektroonikaseadmete keskkonnasõbraliku kasutuselt kõrvaldamise kohta pöörduge kohapealse pädeva ametiasutuse, teie jäätmekäitlusettevõtte või edasimüüja poole, kellel toote otsiste.

Lisateavet leiate aadressil:  
[www.weee.bosch-thermotechnology.com/](http://www.weee.bosch-thermotechnology.com/)

### Akad

Akad ei tohi sattuda majapidamisjäätmete hulka. Kasutatud akud tuleb utiliseerida kohalikus kogumissüsteemis.

### Külmaaine R32



Seade sisaldab fluoritud kasvuhoonegaasi R32 (globaalset soojenemist põhjustav potentsiaal 675<sup>1</sup>) raskesti süttiv ja vähemürge aine (A2L või A2).

Sisalduv kogus on märgitud välisseadme tüübisildile.

Külmaained on keskkonnale ohtlikud ning need tuleb eraldi koguda ja utiliseerida.

## 7 Andmekaitsedeklaratsioon



Meie, **Robert Bosch OÜ, Kesk tee 10, Jüri alevik, 75301 Rae vald, Harjumaa, Estonia**, töötleme toote- ja paigaldusteavet, tehnilisi ja kontaktandmeid, sideandmeid, toote registreerimise ja kliendiajaloo andmeid, et tagada toote funktsioneerimine (isikuandmete kaitse üldmääruse artikli 6 lõike 1

esimese lause punkt b), täita oma tootejärelvalve kohustust ning tagada tooteohutus ja turvalisus (isikuandmete kaitse üldmääruse artikli 6 lõike 1 esimese lause punkt f), kaitsta oma õigusi seoses garantii ja toote registreerimise küsimustega (isikuandmete kaitse üldmääruse artikli 6 lõike 1 esimese lause punkt f), analüüsida oma toodete levitamist ning pakkuda individuaalset teavet ja pakkumisi toote kohta (isikuandmete kaitse üldmääruse artikli 6 lõike 1 esimese lause punkt f). Selliste teenuste nagu müügi- ja turundusteenused, lepingute haldamine, maksete korraldamine, programmeerimine, andmehoid ja klienditoe teenused osutamiseks võime tellida ja edastada andmeid välisele teenuseosutajatele ja/või Boschi sidusettevõtetele. Mõnel juhul, kuid ainult siis, kui on tagatud asjakohane andmekaitse, võib isikuandmeid edastada väljaspool Euroopa Majanduspiirkonda asuvatele andmesaajatele. Täiendav teave esitatakse nõudmisel. Meie andmekaitsevolinikuga saate ühendust võtta aadressil: Data Protection Officer, Information Security and Privacy (C/ISP), Robert Bosch GmbH, Postfach 30 02 20, 70442 Stuttgart, GERMANY.

Teil on õigus oma konkreetsest olukorrast lähtudes või isikuandmete töötlemise korral otseturunduse eesmärgil esitada igal ajal vastuväited oma isikuandmete töötlemise suhtes, mida tehakse isikuandmete kaitse üldmääruse artikli 6 lõike 1 esimese lause punkti f kohaselt. Oma õiguste kasutamiseks palume võtta meiega ühendust e-posti aadressil **DPO@bosch.com**. Täiendava teabe saamiseks palume kasutada QR-koodi.

1) Euroopa parlamendi ja nõukogu määruse (EL) nr 517/2014 lisa kohaselt, 16. aprill 2014.

## Satura rādītājs

<b>1</b>	<b>Simbolu skaidrojums un drošības norādījumi</b>	<b>44</b>
1.1	Simbolu skaidrojums	44
1.2	Vispārīgi drošības norādījumi	44
1.3	Norādījumi par šo instrukciju	45
<b>2</b>	<b>Izstrādājuma apraksts</b>	<b>45</b>
2.1	Atbilstības deklarācija	45
2.2	Vienkāršota ES atbilstības deklarācija radioiekārtām	45
2.3	Piegādes komplekts	45
2.4	Izstrādājuma izmēri un minimālie atstatumi	45
2.4.1	Iekšējais bloks un ārējais bloks	45
2.4.2	Aukstumnesēja cauruļv.	45
<b>3</b>	<b>Instalācija</b>	<b>46</b>
3.1	Pirms uzstādīšanas	46
3.2	Prasības uzstādīšanas vietai	46
3.3	Ierīces montāža	46
3.3.1	Iekšējā bloka montāža	46
3.3.2	Ārējā bloka montāža	47
3.4	Cauruļvadu pieslēgums	47
3.4.1	Dzesēšanas šķidrums vadu pieslēgšana iekšējam un ārējam blokam	47
3.4.2	Kondensāta notekas pieslēgšana iekšējam blokam	47
3.4.3	Hermētiskuma pārbaude un iekārtas uzpildīšana	48
3.5	Elektriskais pieslēgums	48
3.5.1	Vispārīgi norādījumi	48
3.5.2	Iekšējā bloka pieslēgšana	48
3.5.3	Ārējā bloka pieslēgšana	48
<b>4</b>	<b>Ekspluatācijas uzsākšana</b>	<b>49</b>
4.1	Kontrolsaraksts ekspluatācijas uzsākšanai	49
4.2	Funkcionālā pārbaude	49
4.3	Nodošana lietotājam	49
<b>5</b>	<b>Kļūmes novēršana</b>	<b>49</b>
5.1	Kļūmes saistībā ar indikatoriem	49
5.2	Kļūmes bez paziņojuma	50
<b>6</b>	<b>Apkārtējās vides aizsardzība un utilizācija</b>	<b>50</b>
<b>7</b>	<b>Paziņojums par datu aizsardzību</b>	<b>51</b>

## 1 Simbolu skaidrojums un drošības norādījumi

### 1.1 Simbolu skaidrojums

#### Brīdinājuma norādījumi

Brīdinājuma norādījumos signālvārdi papildus raksturo seku veidu un smagumu gadījumos, kad netiek veikti pasākumi bīstamības novēršanai.

Ir definēti un šajā dokumentā var būt lietoti šādi signālvārdi:



**BĪSTAMI**

**BRĪDINĀJUMS** nozīmē, ka būs smagi līdz dzīvībai bīstami miesas bojājumi.



**BRĪDINĀJUMS**

**BRĪDINĀJUMS** nozīmē, ka iespējamas smagas un pat nāvējošas traumas.



**UZMANĪBU**

**UZMANĪBU** norāda, ka personas var gūt vieglas vai vidēji smagas traumas.




**IEVĒRĪBAI**

**IEVĒRĪBAI** nozīmē, ka ir iespējami mantiski bojājumi.

#### Svarīga informācija



Svarīga informācija, kas nav saistīta ar cilvēku apdraudējumu vai mantas bojājuma risku, ir apzīmēta ar redzamo informācijas simbolu.

Simbols	Nozīme
	Brīdinājums par viegli uzliesmojošām vielām: aukstumaģents R32 šajā izstrādājumā ir gāze ar zemu degtspēju un zemu toksiskumu (A2L vai A2).
	Apkopi drīkst veikt tikai kvalificēta persona, ievērojot apkopes instrukcijā minētos norādījumus.
	Darbības laikā ievērojiet lietošanas instrukcijā minētos norādījumus.

Tab. 1

### 1.2 Vispārīgi drošības norādījumi

#### Norādījumi attiecībā uz mērķgrupu

Šī montāžas instrukcija paredzēta aukstumiekārtu un kondicionēšanas iekārtu speciālistiem, kā arī elektrotehnikas speciālistiem. Jāņem vērā visās ar iekārtu saistītajās instrukcijās sniegtie norādījumi. Noteikumu neievērošana var izraisīt materiālos zaudējumus un radīt traumas, kā arī draudus dzīvībai.

- ▶ Pirms instalācijas izlasiet visu iekārtas sastāvdaļu montāžas instrukcijas.
- ▶ Ievērojiet drošības norādījumus un brīdinājumus.
- ▶ Ievērojiet nacionālās un reģionālās prasības, tehniskos noteikumus un direktīvas.

- ▶ Dokumentējiet izpildītos darbus.

### **⚠ Noteikumiem atbilstoša lietošana**

Iekārta nav paredzēta lietošanai rūpniecībā. Iekārtas izmantošana citā veidā un tās rezultātā radušies bojājumi neietilpst garantijas nosacījumos.

### **⚠ Vispārīgie bīstamie faktori, kas saistīti ar aukstumaģentu**

- ▶ Šī iekārta ir uzpildīta ar aukstumaģentu R32. Aukstumaģents uguns iedarbībā var veidot indīgas gāzes.
- ▶ Ja instalācijas laikā ir izdalījies aukstumaģents, rūpīgi izvēdiniet telpu.
- ▶ Pēc instalācijas pārbaudiet iekārtas hermētiskumu.
- ▶ Nepieļaujiet citu vielu iekļūšanu aukstumaģenta cirkulācijas sistēmā, izņemot norādīto aukstumaģentu (R32).

### **⚠ Mājsaimniecībai un līdzīgiem mērķiem paredzēto elektrisko ierīču drošība**

Lai novērstu elektrisko ierīču radītu apdraudējumu, atbilstoši EN 60335-1 ir jāievēro šādas prasības:

„Šo ierīci drīkst lietot bērni, kas vecāki par 8 gadiem, personas ar fiziskiem, uztveres vai garīgiem traucējumiem, kā arī personas bez pieredzes vai zināšanām par šādu ierīču apkalpošanu, ja ir nodrošināta pienācīga uzraudzība vai arī lietotājs ir instruēts par ierīces drošu ekspluatāciju un no tās izrietošiem riskiem. Neļaujiet bērniem spēlēties ar iekārtu. Bērni nedrīkst veikt iekārtas tīrīšanas un apkopes darbus bez pienācīgas uzraudzības.“

„Lai novērstu apdraudējumu, bojātu elektrotīkla strāvas padeves kabeli uzticiet nomainīt uzstādītājam vai klientu servisam, vai sertificētam elektriķim.“

### **⚠ Nodošana lietotājam**

Nododot kondicionēšanas iekārtu lietotājam, iepazīstiniet viņu ar kondicionēšanas iekārtas vadību un ekspluatācijas noteikumiem.

- ▶ Instruējiet lietotāju par iekārtas lietošanu, īpaši rūpīgi izskaidrojot darbības, kas jāveic attiecībā uz drošību.
- ▶ Jo īpaši informējiet par šādiem punktiem:
  - iekārtas konstrukcijas izmaiņas vai remontdarbus drīkst veikt tikai sertificēts specializēts uzņēmums.
  - Drošas un videi draudzīgas iekārtas darbības priekšnoteikums ir apsekošanas darbi vismaz reizi gadā un tīrīšanas un apkopes darbi atbilstoši vajadzībai.

- ▶ Informējiet, ka nepietiekama vai nepareiza tīrīšana, apsekošana vai apkope var radīt traumas un pat izraisīt dzīvības apdraudējumu.
- ▶ Nododiet lietotājam glabāšanai montāžas un lietošanas instrukcijas.

### **1.3 Norādījumi par šo instrukciju**


Visi attēli atrodas šīs instrukcijas beigās. Tekstā ir norādes uz attēliem.

Atkarībā no modeļa izstrādājumi var atšķirties no attēliem šajā instrukcijā.

## **2 Izstrādājuma apraksts**

### **2.1 Atbilstības deklarācija**

Šīs iekārtas konstrukcija un darbības veids atbilst Eiropas un valsts likumdošanas prasībām.

 Ar CE marķējumu tiek apliecināta izstrādājuma atbilstība visiem piemērojamajiem ES noteikumiem, kuros noteiktas prasības šī marķējuma piešķiršanai.

Atbilstības deklarācijas pilns teksts pieejams internetā: [www.junkers.lv](http://www.junkers.lv).

### **2.2 Vienkāršota ES atbilstības deklarācija radioiekārtām**

Ar šo Bosch Thermotechnik GmbH apliecinā, ka šajā instrukcijā aprakstītais izstrādājums Climate Class 6100i/8100i ar radiotehniku atbilst Direktīvas 2014/53/ES prasībām.

ES atbilstības deklarācijas pilns teksts pieejams internetā: [www.junkers.lv](http://www.junkers.lv).

### **2.3 Piegādes komplekts**

#### **1. att. apzīmējumi:**

- [1] Ārējais bloks (uzpildīts ar aukstumaģentu)
- [2] Iekšējais bloks (uzpildīts ar slāpekli)
- [3] Montāžas plate
- [4] Spoguļplāksne (tikai krāsainajiem modeļiem CLC8101i... T/S/R)<sup>1)</sup>
- [5] Spaiļu nosegvāks ar skrūvi
- [6] Tālvadība ar baterijām
- [7] Izstrādājuma dokumentācijas komplekts
- [8] Stiprināšanas materiāls (7 garas skrūves, 1 speciālā skrūve tālvadības stiprināšanai un 8 dībeļi)
- [9] Plāksnīte (kabeļa nostiepes fiksatora kabeļa stiprinājumam)

### **2.4 Izstrādājuma izmēri un minimālie atstatumi**

#### **2.4.1 Iekšējais bloks un ārējais bloks**

. att. 2

- [1] Dībelis (piegādes komplekts)
- [2] Speciālā skrūve (piegādes komplekts)

A Modelis CLC8101i...

B Modelis CLC6101i...

#### **2.4.2 Aukstumnesēja cauruļv.**

#### **3. att. apzīmējumi:**

- [1] Gāzes puses caurule
- [2] Šķidruma puses caurule
- [3] Likums sifona formā kā eļļas separators

1) Spoguļplāksņu stiprinājums → 10. att.



Ja ārējais bloks tiek uzstādīts augstāk nekā iekšējais bloks, tad gāzes pusē ne vairāk kā 6 m attālumā izveidojiet likumu sifona formā un ik pēc 6 m vēl citus likumus sifona formā (→ 3. att., [1]).

- ▶ Ievērojiet maksimālo cauruļu garumu un iekšējā bloka un ārējā bloka augstumu starpību.

	Maksimālais cauruļu garums <sup>1)</sup> [m]	Maksimālā augstumu starpība [m]
Visi tipi	≤ 15	≤ 10

1) Gāzes pusē vai šķidrums pusē

Tab. 2 Cauruļu garums un augstumu starpība

Iekārtas tips	Caurules diametrs	
	Šķidrums pusē [mm]	Gāzes pusē [mm]
Visi tipi	6,35 (1/4")	9,53 (3/8")

Tab. 3 Caurules diametrs atkarībā no iekārtas tipa

Caurules diametrs [mm]	Alternatīvais caurules diametrs [mm]
6,35 (1/4")	6
9,53 (3/8")	10

Tab. 4 Alternatīvais caurules diametrs

Cauruļu specifikācija	
Min. cauruļvada garums	3 m
Standarta cauruļvada garums	5 m
Papildu aukstumaģents, ja cauruļvada garums pārsniedz 7,5 m (šķidrums pusē)	CLC6101i...: 15 g/m CLC8101i...: 0 g/m
Caurules biezums, ja caurules diametrs no 6,35 mm līdz 12,7 mm	≥ 0,8 mm
Siltumizolācijas biezums	≥ 6 mm
Siltumizolācijas materiāls	Polietilēna putuplasts

Tab. 5



Cauruļvada garums, neuzpildot papildu aukstumaģentu, ir 7,5 m. Ja cauruļvads ir garāks, jāuzpilda aukstumaģents atkarībā no cauruļu garuma. Maksimālais uzpildīšanas daudzums ir 1100 g.

## 3 Instalācija

### 3.1 Pirms uzstādīšanas



#### UZMANĪBU

**Traumu risks, savainojoties uz asām malām!**

- ▶ Veicot instalāciju, lietojiet aizsargcimdus.



#### UZMANĪBU

**Apdedzināšanās risks!**

Darbības laikā cauruļvadi ļoti sakarst.

- ▶ Pirms pieskarities cauruļvadiem, pārliedzieties, ka tie ir atdzisuši.
- ▶ Pārbaudiet, vai piegādes komplekts nav bojāts.
- ▶ Pārbaudiet, vai, atverot caurules, ir sadzirdama svilpjoša skaņa, ko rada zemspiediens.

### 3.2 Prasības uzstādīšanas vietai

- ▶ Ievērojiet minimālo attālumu (→ 4. att.).

#### IEVĒRĪBAI

#### Sniega radīti iekārtas bojājumi!

Sniegs, kas sakritis zem ārējā bloka, var ietekmēt darbību un sabojāt iekārtu. Ja sniegs nobloķē kondensāta noteku, sakrājas ledus un tiek bojāts bloks.

- ▶ Pārliedzieties, ka ārējā bloka kondensāta noteka nav bloķēta un vienmēr ir vaļēja un kā ūdens var netraucēti izplūst.
- ▶ Apkures režīmā un atkausējot pārliedzieties, ka starp sniega virsmu un ārējo bloku vienmēr ir vismaz 250 mm atstatums.

#### Iekšējais bloks

- ▶ Neuzstādiet iekšējo bloku telpā, kurā ir atklātas uguns avoti (piem., atklāta liesma, darbojošās gāzes ierīce vai elektriskā apkure).
- ▶ Iekārtu drīkst uzstādīt telpā, kuras platība ir, sākot no 4 m<sup>2</sup>, ja iebūvēšanas augstums ir vismaz 2,5 m. Ja iebūvēšanas augstums ir mazāks, tad atbilstīgi jābūt lielākai telpas platībai.
- ▶ Uzstādīšanas vieta nedrīkst būt augstāka par 2000 m virs jūras līmeņa.
- ▶ Gaisa ieplūdi un gaisa izplūdi nedrīkst kavēt nekādi šķēršļi, lai gaiss varētu brīvi cirkulēt. Citādi var rasties jaudas zudumi un augstāks akustiskā spiediena līmenis.
- ▶ Televizoram, radio aparātam un līdzīgām iekārtām jāatrodas ne mazāk kā 1 m attālumā no iekārtas un no tālvadības.
- ▶ Iekšējā bloka montāžai izvēlieties sienu, kura amortizē vibrācijas.

#### Ārējais bloks

- ▶ Uz ārējo bloku nedrīkst iedarboties mašīn[la]s tvaiki, citu avotu radīti tvaiki, sēra gāze u.c.
- ▶ Ārējo bloku nedrīkst uzstādīt tieši ūdenī vai vietā, kur tas pakļauts jūras vēja ietekmei.
- ▶ Uz ārējā bloka nedrīkst atrasties sniegs.
- ▶ Izplūdes gaiss vai darbības radītie trokšņi nedrīkst traucēt.
- ▶ Gaisam brīvi jācirkulē ap ārējo bloku, taču iekārtu nedrīkst pakļaut spēcīga vēja ietekmei.
- ▶ Darbības laikā radītajam kondensātam ir brīvi jānotek. Ja nepieciešams, ierīkojiet noplūdes šļūteni. Reģionos, kur ir auksts klimats, nav ieteicams ierīkot noplūdes šļūteni, jo tā var aizsālt.
- ▶ Novietojiet ārējo bloku uz stabilas pamatnes.

### 3.3 Ierīces montāža

#### IEVĒRĪBAI

#### Materiālie zaudējumi nelietpratīgi veiktas montāžas dēļ!

Ja montāžas tiek veikta nelietpratīgi, iekārta var nokrist no sienas.

- ▶ Piemontējiet iekārtu tikai pie stingras un līdzenas sienas. Sienai jāiztur iekārtas svārs.
- ▶ Izmantot tikai iekārtas svāram piemērotas skrūves un dībeļus.

#### 3.3.1 Iekšējā bloka montāža

- ▶ Atveriet kartona iepakojumu un izņemiet iekšējo bloku.
- ▶ Iekšējo bloku kopā ar iepakojuma daļām novietojiet uz priekšpusē.
- ▶ Noņemiet montāžas plati no iekšējā bloka aizmugures.
- ▶ Nosakiet montāžas vietu, ievērojot minimālos attālumus (→ 2. att.).
- ▶ Montāžas plati ar skrūvi un dībeli aiz vidējā atvēruma piestipriniet pie sienas un noregulējiet horizontāli (→ 4. att.[1]).
- ▶ Piestipriniet montāžas plati ar pārējām sešām skrūvē un dībeļiem tā, lai montāžas plate cieši piegulētu sienai.
- ▶ Izveidojiet cauruļvadiem paredzētu izvadu cauri sienai (ieteicamā pozīcija izvadam cauri sienai ir aiz iekšējā bloka → 5. att.).

**i** Atzīmes [1] paredzētas urbuma vietas noteikšanai.

- ▶ Ja nepieciešams, izmainiet kondensāta notekas pozīciju (→ 6. att.).

**i** Iekšējam blokam piestiprināmo cauruļu stiprinājuma vietas parasti atrodas aiz iekšējā bloka. Ieteicams caurules pagarināt jau pirms iekšējā bloka iekāršanas.

- ▶ Izveidojiet cauruļu savienojumus, kā aprakstīts 3.4. nodaļā.
- ▶ Ja nepieciešams, salieciet caurules vēlamajā virzienā un izveidojiet atveri sānos vai lejasdaļā noseglplāksnē (→ 8. att.).
- ▶ Izvelciet caurules cauri sienai un iekariet iekšējo bloku montāžas platē (→ Bild 9).
- ▶ Krāsainajiem modeļiem CLC8101i... T/S/R ir papildu spoguļplāksnes, kas jāpiestiprina atbilstīgajās vietās (→ 10. att., [2]).
  - Nosakiet spoguļplāksņu pozīciju.<sup>1)</sup>
  - Noņemiet līmplēvi.
  - Pielāgojiet spoguļplāksnes jau esošajām spoguļplāksnēm [1].

Ja iekšējais bloks jānoņem no montāžas plates:

- ▶ Piespiediet uz marķējuma, kas atrodas iekšējā bloka lejasdaļā, un pavelciet iekšējo bloku uz priekšu (→ 11. att., [1]).

**i** Krāsainajiem modeļiem CLC8101i... T/S/R šie marķējumi nav redzami, jo šajā vietā ir piestiprināta spoguļplāksne. Taču iekšējo bloku var noņemt no sienas, piespiežot atbilstīgajās vietās.

### 3.3.2 Ārējā bloka montāža

- ▶ Novietojiet kartona iepakojumu augšpusē.
- ▶ Pārgrieziet un noņemiet noslēgļentes.
- ▶ Pavelciet kartonu uz augšu un noņemiet iepakojumu.
- ▶ Atkarībā no uzstādīšanas veida sagatavojiet un uzmontējiet stenda vai sienas konsoli.
- ▶ Uzstādiet vai piekariet ārējo bloku, vienlaikus izmantojiet piegādes komplektā vai ēkā esošo vibrāciju slāpētāju balstiem.
- ▶ Pārliedziniet, ka ēkā ir ierīkota kondensāta noteka.

1) atkarībā no cauruļu pozīcijas ir nepieciešamas visas 4 vai arī tikai 3 spoguļplāksnes.

Caurules ārējais diametrs Ø [mm]	Griezies moments [Nm]	Paplašinātās atveres diametrs (A) [mm]	Paplašinātais caurules gals	Iepriekš uzmontēta atloka uzgriežņa vītne
6,35 (1/4")	18-20	8,4-8,7		1/4"
9,53 (3/8")	32-39	13,2-13,5		3/8"

Tab. 6 Cauruļu savienojumu identifikācijas dati

### 3.4.2 Kondensāta notekas pieslēgšana iekšējam blokam

Iekšējā bloka kondensāta savācējam ir divas pieslēgvietas. Ražotājs šajās vietās ir piemontējis kondensāta šļūteni un blīvslēgu, kurus ir iespējams nomainīt (→ 6. att.).

- ▶ Kondensāta šļūteni izvietojiet ar kritumu.

- ▶ Noņemiet caurules pieslēgumu pārsegu (→ 12. att.).
- ▶ Izveidojiet cauruļu savienojumus, kā aprakstīts 3.4. nodaļā.
- ▶ Atkal uzmontējiet caurules pieslēgumu pārsegu.

## 3.4 Cauruļvadu pieslēgums

### 3.4.1 Dzesēšanas šķidrums vadu pieslēgšana iekšējam un ārējam blokam

#### **UZMANĪBU**

#### Aukstumaģenta izplūšana pa hermētiski nenoslēgtiem savienojumiem

Aukstumaģents var izplūst pa nepareizi ierīkoti cauruļvadu savienojumiem.

- ▶ Vairākkārt izmantojot atloka savienojumus, atloka daļu vienmēr noregulējiet no jauna.

**i** Vara caurulēm ir norādīti izmēri gan metros, gan collās, tāpat arī atloku uzgriežņu vītņiem. Atloku skrūvju savienojumi iekšējam un ārējam blokam ir pielāgoti izmēriem collās.

- ▶ Izmantojot metriskā izmēra vara caurules, nomainiet atloka uzgriežņus pret tādiem, kuriem ir atbilstīgs diametrs (→ 6).

- ▶ Nosakiet cauruļu diametru un cauruļu garumu (→ 45. att.).
- ▶ Nogrieziet cauruli ar cauruļu separatoru (→ 7. att.).
- ▶ Apgrieziet cauruļu galus no iekšpuses un izsietiet atgriezumus.
- ▶ Uzspraudiet caurulei uzgriezni.
- ▶ Ar paplašināšanas ierīci paplašiniet cauruli līdz 6 minūtajam izmēram. Uzgriežnim jābūt tik stingram, lai to varētu viegli bidīt pa malu, bet nevarētu pārbidīt pāri.
- ▶ Pievienojiet cauruli un pievelciet skrūvsavienojumu līdz 6 minūtajam griezes momentam.
- ▶ Atkārtojiet minētās darbības ar otro cauruli.

#### **IEVĒRĪBAI**

#### Lietderības koeficienta samazināšanās, ko rada siltumpārvade starp aukstumaģenta cauruļvadiem

- ▶ Izveidojiet katra aukstumaģenta cauruļvadu siltumizolāciju atsevišķi.
- ▶ Izveidojiet un nofiksējiet cauruļu izolāciju.

### 3.4.3 Hermētiskuma pārbaude un iekārtas uzpildīšana

#### Hermētiskuma pārbaude

Spiediena pārbaudes laikā ievērojiet valsts un reģionālo normatīvo aktu prasības.

- ▶ Atveriet vāciņus trim vārstiem (→ 13. att., [1], [2] un [3]) noņemiet tos.
- ▶ Pieslēdziet atvērēju [6] un manometru [4] vārstam [1].
- ▶ Iegrieziet atvērēju un atveriet vārstu [1].
- ▶ Atstājiet vārstus [2] un [3] pieslēgtus un uzpildiet sistēmu ar slāpekli, līdz spiediens 10 % pārsniedz nominālo rādītāju 42,5 bārus.
- ▶ Pārbaudiet, vai pēc 10 minūtēm spiediens nav mainījies.
- ▶ Pievadiet slāpekli, līdz ir sasniegts nominālais spiediens.
- ▶ Ne ātrāk kā pēc 1 stundas pārbaudiet, vai spiediens nav mainījies.
- ▶ Izlaidiet slāpekli.

#### Sistēmas piepildīšana

##### IEVĒRĪBAI

#### Darbības traucējums nepareizi izvēlēta aukstumaģenta dēļ

Ražotājs ārējo bloku ir uzpildījis ar aukstumaģentu R32.

- ▶ Ja aukstumaģenta krājums ir jāpapildina, ir jāizmanto tāds pats aukstumaģents. Nemaisiet kopā dažādu tipu aukstumaģentus.
- ▶ Iztukšojiet sistēmu ar vakuuma sūkni (→ 13. att., [5]) vismaz 30 minūtes un izžāvējiet to, līdz ir sasniegts apm. – 1 bārs (vai apm. 500 mikronu).
- ▶ Atveriet augšējo vārstu [3] (šķidrums pusē).
- ▶ Ar manometru [4] pārbaudiet, vai caurplūde notiek brīvi.
- ▶ Atveriet apakšējo vārstu [2] (gāzes pusē). Aukstumaģents izplatās sistēmā.
- ▶ Pārbaudiet spiediena attiecību.
- ▶ Izskrūvējiet atvērēju [6] un aizveriet vārstu [1].
- ▶ Noņemiet vakuuma sūkni, manometru un atvērēju.
- ▶ Atkal uzlieciet vārstu vāciņus.
- ▶ Atkal uzmontējiet cauruļu pieslēgumu pārsegu ārējam blokam.

### 3.5 Elektriskais pieslēgums

#### 3.5.1 Vispārīgi norādījumi

##### BRĪDINĀJUMS

#### Elektriskā strāva rada draudus dzīvībai!

Pieskaroties elektrodetaļām, kurām tiek pievadīts spriegums, var būt strāvas triecienu.

- ▶ Pirms darbiem ar elektrodetaļām izslēdziet apkures sistēmas sprieguma padevi visos polos (drošinātājs, aizsargslēdzis) un nodrošiniet to pret nejaušu ieslēgšanu.
- ▶ Darbus ar elektriskajām iekārtām drīkst veikt tikai licencēts elektriķis.
- ▶ Ievērot drošības pasākumus atbilstoši valsts un staurptautiskajām normatīvām.
- ▶ Ja tīkla spriegums vai īssavienojums instalācijas laikā var radīt drošības risku, tad lietotājs par to ir rakstveidā jāinformē un iekārtu aizliegts uzstādīt, līdz problēma ir novērsta.
- ▶ Visus elektriskos pieslēgumus izveidot saskaņā ar pieslēguma shēmu.
- ▶ Kabeļu izolāciju pārgrieziet tikai ar īpašu instrumentu.
- ▶ Pie iekārtas pieslēguma elektrotīklam nepieslēdziet citus patērētājus.
- ▶ Nesajauciet fāzi un nulles vadu. Tas var radīt darbības traucējumus.

- ▶ Izveidojot fiksētu pieslēgumu elektrotīklam, uzstādiēt tādu pārsprieguma aizsardzību un atdalītājslēdzi, kas ir paredzēti 1,5 reizes lielākai jaudai nekā maksimālā patērējamā jauda.

#### 3.5.2 Iekšējā bloka pieslēgšana

Iekšējais bloks tiek pieslēgts ārējam blokam ar H07RN-F tipa 4 dzislu sakaru kabeli. Sakaru kabeļa vadītāja šķērsriezuma laukumam jābūt ne mazāk kā 1,5 mm<sup>2</sup>.


##### IEVĒRĪBAI

#### Materiālie zaudējumi nepareizi pieslēgta iekšējā bloka dēļ

Iekšējam blokam tiek padots spriegums pa ārējo bloku.

- ▶ Iekšējo bloku pieslēdziet tikai ārējam blokam.

Lai pieslēgtu sakaru kabeli:

- ▶ Atveriet augšējo pārsegu un priekšējo pārsegu.
  - Atvienojiet augšējā pārsega aizslēgus.
  - Augšējo pārsegu pieturiet atbalstītu pret savu ķermeni un nolieciet to.
  - Priekšējo pārsegu noņemiet no āķiem un sliedi pavelciet uz priekšu. (→ 14. att.).
- ▶ Savienotājkabeļa galu [3] sagatavojiet iekšējam blokam (→ 15 līdz 16. att.).
- ▶ Izskrūvējiet skrūvi [4] un noņemiet pieslēguma spailēs pārsegu [5].
- ▶ Izveidojiet kabeļa padeves vietu iekšējā bloka aizmugurē un izvelciet kabeli.
- ▶ Pieslēdziet kabeli pieslēguma spailēm N, 1, 2.
- ▶ Pieslēdziet zemējuma vadu [2] .
- ▶ Ievērojiet dzislu izvietošanu pie pieslēguma spailēm.
- ▶ Piestipriniet pieslēguma spailēs pārsegu.
- ▶ Piestipriniet priekšējo pārsegu un augšējo pārsegu.
- ▶ Aizvelciet kabeli līdz ārējam blokam.

#### 3.5.3 Ārējā bloka pieslēgšana

Ārējam blokam tiek pieslēgts strāvas kabelis (3 dzislu) un sakaru kabelis (4 dzislu) savienojumam ar iekšējo bloku. Izmantojiet tikai H07RN-F tipa kabeli ar atbilstīgu vadītāja šķērsriezumu un nodrošiniet pieslēgumu elektrotīklam ar drošinātāju (→ 7).



Ārējais bloks	Tīkla aizsardzība	Vada šķērsriezuma laukums	
		Strāvas kabelis	Sakaru kabelis
Visi tipi	16 A	≥ 1,5 mm <sup>2</sup>	≥ 1,5 mm <sup>2</sup>

Tab. 7

- ▶ Sagatavojiet strāvas kabeļa galu (→ 17. att.).
- ▶ Sagatavojiet sakaru kabeļa galu (→ 18. att.).
- ▶ Noņemiet elektriskā pieslēguma pārsegu [3+6] (→ 19. att.).

##### i

Modelim CLC6101i... ir tikai ārējais pārsegs [3].

- ▶ Strāvas kabeli [2] un sakaru kabeli [1] nostipriniet pie kabeļa nostiepes fiksatora [4]. Ja nepieciešams, starpā ievietojiet komplektā esošo ieliktni [5].
- ▶ Pieslēdziet strāva kabeli pieslēguma spailēm N, 1, un .
- ▶ Pieslēdziet sakaru kabeli pieslēguma spailēm N, 1, 2 un  (dzislu izvietošana pie pieslēguma spailēm tāpat kā iekšējam blokam).
- ▶ Piestipriniet pārsegu.



## 4 Eksploatācijas uzsākšana

### 4.1 Kontrolsaraksts eksploatācijas uzsākšanai

1	Ārējais bloks un iekšējais bloks ir pareizi piemontēti.	
2	Caurules ir pareizi <ul style="list-style-type: none"> <li>• pieslēgtas,</li> <li>• aprīkotas ar siltumizolāciju,</li> <li>• pārbaudītas saistībā ar hermētiskumu.</li> </ul>	
3	Ir pareizi ierīkota un pārbaudīta kondensāta noteka.	
4	Ir pareizi izveidots elektriskais pieslēgums. <ul style="list-style-type: none"> <li>• Strāvas padevei ir normāls diapazons</li> <li>• Ir pareizi ierīkots zemējuma vads</li> <li>• Savienotājkaбели ir stingri piestiprināti spaiļu kopnei</li> </ul>	
5	Ir uzlikti un piestiprināti visi pārsegi.	
6	Ir pareizi piemontēts iekšējā bloka gaisa deflektors un ir nofiksēta servopiedziņa.	

Tab. 8

### 4.2 Funkcionālā pārbaude

Pēc instalācijas sistēmu var pārbaudīt, veicot spiediena pārbaudi, un ar elektrisko pieslēgumu:

- ▶ Nodrošiniet strāvas padevi.
- ▶ Ieslēdziet iekšējo bloku ar tālvadību.
- ▶ Pieturiet nospiestu taustiņu **ON/OFF** [1] 5 sekundes, lai iestatītu dzesēšanas režīmu (→ 20. att.)  
Atskan pikstoša skaņa un mirgo darbības režīma spuldzīte.
- ▶ Testējiet dzesēšanas režīmu 5 minūtes.
- ▶ Pārbaudiet gaisa deflektora kustības brīvību [2].

Kļūmes kods	Iespējamais iemesls
00 – 0	Normāls eksploatācijas režīms
01 – ...	Īssavienojums ārējā bloka termistorā
02 – ...	Kļūme pārāk augstas temperatūras dēļ kompresorā vai siltummainī
03 – 0	Ārējais bloks uz īsu brīdi ir izslēgts aizsardzības nolūkos.
05 – ...	Atvērta elektriskās strāvas ķēde ārējā bloka termistorā
06 – ...	Pārslodze nepietiekama aukstumaģenta daudzuma dēļ vai bloķētas gaisa ieplūdes/gaisa izplūdes dēļ. Kļūme IPM moduli vai ārējā bloka galvenās shēmas plates pārstrāvas aizsardzības dēļ.
09 – ...	Kļūme termistorā vai četrvirzienu vārstā vai nepietiekams aukstumaģenta daudzums.
10 – ...	Parametru kļūme ārējā bloka EEPROM
11 – ...	Kļūme ārējā bloka ventilatorā
13 – ...	Kļūme kompresorā uzsākot darbību vai darbības laikā
14 – ...	Impulsa amplitūdas modulācijas kļūme
17 – ...	Nepareizs iekārtas elektriskais pieslēgums ar atvērtu elektriskās strāvas ķēdi
18 – ...	Nepareizs iekārtas elektriskais pieslēgums ar īssavienojumu
19 – ...	Kļūme iekšējā bloka ventilatorā
20 – ...	Parametru kļūme iekšējā bloka EEPROM
24 – ...	Iekšējā bloka sakaru traucējums ar WLAN
26 – ...	Kļūme iekšējā bloka termistorā

Tab. 9

- ▶ Ar tālvadību izvēlieties apkures režīmu.
- ▶ Testējiet apkures režīmu 5 minūtes.
- ▶ Vēlreiz nospiediet taustiņu **ON/OFF**, lai pārtrauktu darbību.

### 4.3 Nodrošana lietotājam

- ▶ Kad sistēma ir noregulēta, nododiet montāžas instrukciju klientam.
- ▶ Izskaidrojiet klientam sistēmas darbības principus, izmantojot lietošanas instrukciju.
- ▶ Iesakiet klientam rūpīgi izlasīt lietošanas instrukciju.

## 5 Kļūmes novēršana

### 5.1 Kļūmes saistībā ar indikatoriem



#### BRĪDINĀJUMS

#### Elektriskā strāva rada draudus dzīvībai!

Pieskaroties elektrodetaļām, kurām tiek pievadīts spriegums, var būt strāvas triecienu.

- ▶ Pirms darbiem ar elektrodetaļām izslēdziet apkures sistēmas sprieguma padevi visos polos (drošinātājs, aizsargslēdzis) un nodrošiniet to pret nejaušu ieslēgšanu.

Uz iekārtas kļūmi var norādīt arī nepārtraukta šādu spuldziņu mirgošana:

- Darbības režīma spuldzīte (zaļa)
- Taimera spuldzīte (oranža)
- Plazmas klāstera spuldzīte (zila)

Mirgojošo indikatoru skaits apzīmē kļūmes koda ciparu.

Piemēram, rodoties kļūmei **23 – 4**, zaļā spuldzīte nomirgo 2 reizes, pēc tam oranžā spuldzīte - 3 reizes un zilā spuldzīte - 4 reizes. Kļūmes kodu var noskaidrot arī ar tālvadību → lietošanas instrukcija.

Ja kļūme pastāv ilgāk nekā 10 minūtes:

- ▶ uz īsu brīdi pārtrauciet strāvas padevi un pēc tam atkal ieslēdziet iekšējo bloku.

Ja traucējumu nevar novērst:

- ▶ sazinieties ar klientu servisu un nosauciet kļūmes kodu, kā arī iekārtas datus.

## 5.2 Kļūmes bez paziņojuma

Kļūme	Iespējamais iemesls	Risinājums
Iekšējā bloka jauda ir pārāk zema.	Aizsērējis ārējā vai iekšējā bloka siltummainis.	► Iztīriet ārējā vai iekšējā bloka siltummaini.
	Pārāk maz aukstumaģenta	► Pārbaudiet cauruļu hermētiskumu, ja nepieciešams, izolējiet vēlreiz. ► Uzpildiet aukstumaģentu.
Ārējais bloks vai iekšējais bloks nedarbojas.	Nav strāvas	► Pārbaudiet strāvas pieslēgumu. ► Ieslēdziet iekšējo bloku.
	Nostrādājis drošinātājs.	► Pārbaudiet strāvas pieslēgumu. ► Nomainiet drošinātāju.
Ārējais bloks vai iekšējais bloks nepārtraukti ieslēdzas un izslēdzas.	Sistēmā ir pārāk maz aukstumaģenta.	► Pārbaudiet cauruļu hermētiskumu, ja nepieciešams, izolējiet vēlreiz. ► Uzpildiet aukstumaģentu.
	Sistēmā ir pārāk daudz aukstumaģenta.	Samaziniet aukstumaģenta daudzumu ar aukstumaģenta atgūšanas iekārtu.
	Aukstumaģenta lokā iekļuvis mitrums vai netīrumi.	► Iztukšojiet aukstumaģenta loku. ► Iepildiet jaunu aukstumaģentu.
	Pārāk liels sprieguma svārstības.	► Iemontējiet sprieguma regulētāju.
	Kompresors ir bojāts.	► Nomainīt kompresoru.

Tab. 10

## 6 Apkārtējās vides aizsardzība un utilizācija

Vides aizsardzība ir Bosch grupas uzņēmējdarbības pamatprincips. Mūsu izstrādājumu kvalit., ekonom. un apkārt. vides aizsardz. mums ir vienlīdz svarīgi mērķi. Mēs stingri ievērojam apkārtējās vides aizsardzības likumdošanu un prasības. Lai aizsargātu apkārtējo vidi, mēs izmantojam vislabāko tehniku un materiālus, ievērojot ekonomiskos mērķus.

### Iepakojums

Mēs piedalāmies iesaiņojamo materiālu otrreizējās izmantošanas sistēmas izstrādē, lai nodrošinātu to optimālu pārstrādi. Visi izmantotie iepakojuma materiāli ir videi draudzīgi un otrreiz pārstrādājami.

### Nolietotā iekārta

Nolietotas iekārtas satur vērtīgas izejvielas, kuras jānodod otrreizējai pārstrādei. Konstruktīvie mezgli ir viegli atdalāmi. Plastmasa ir marķēta. Tādējādi visus konstruktīvos mezglus ir iespējams sašķirot un nodot otrreizējai pārstrādei vai utilizācijai.

### Nolietotās elektriskās un elektroniskās ierīces



Šis simbols nozīmē, ka produktu nedrīkst apglabāt kopā ar citiem atkritumiem, bet gan jānogādā atkritumu savākšanas punktos apstrādei, savākšanai, pārstrādei un apglabāšanai.

Simbols attiecas uz valstīm, kurās ir spēkā elektronisko iekārtu atkritumu noteikumi, piemēram, "Eiropas Direktīva 2012/19/EK par elektrisko un elektronisko iekārtu atkritumiem". Šajos noteikumos izklāstīti pamatnosacījumi, kas katrā valstī piemērojami elektronisko iekārtu atkritumu atgriešanai un pārstrādei.

Tā kā elektroniskajās ierīcēs var būt bīstamas vielas, tās ir jāpārstrādā atbildīgi, lai samazinātu iespējamo kaitējumu videi un cilvēku veselības apdraudējumu. Turklāt elektronisko atkritumu pārstrāde veicina dabas resursu saglabāšanu.

Lai iegūtu papildu informāciju par elektrisko un elektronisko iekārtu atkritumu apglabāšanu videi nekaitīgā veidā, sazinieties ar vietējām varas iestādēm, atkritumu apglabāšanas uzņēmumu vai tirgotāju, no kura jūs iegādājāties produktu.

Papildu informāciju var sameklēt šeit:

[www.weee.bosch-thermotechnology.com/](http://www.weee.bosch-thermotechnology.com/)

### Akumulatorus

Akumulatorus aizliegts utilizēt kopā ar sadzīves atkritumiem. Nolietotus akumulatorus (baterijas) ir utilizējami vietējos savākšanas punktos.

### Aukstumaģents R32



Iekārta satur fluorētu siltumnīcefekta gāzi R32 (globālās sasilšanas potenciāls 675<sup>1)</sup>) ar zemu degtspēju un zemu toksiskumu (A2L vai A2).

Nepieciešamais daudzums ir norādīts ārējā bloka datu plāksnītē.

Aukstumaģents ir bīstams videi un tas ir atbilstīgi jāsavāc un jāutilizē.

1) saskaņā ar 2014. gada 16. aprīļa Eiropas Parlamenta un Padomes Regulas (ES) Nr. 517/2014 I pielikumu

## 7 Paziņojums par datu aizsardzību



Mēs, **Robert Bosch SIA, Gāzes apkures iekārtas, Mūkusalas str. 101, LV-1004, Rīga, Latvija**, apstrādājam informāciju par produktu un instalāciju, tehniskos un savienojuma datus, sakaru datus, produkta reģistrācijas un klienta vēstures datus, lai nodrošinātu produkta funkcionalitāti (saskaņā ar

VDAR 6. (1) panta 1. (b) punktu), lai izpildītu mūsu pienākumus attiecībā uz produkta pārraudzību, kā arī produkta drošības un aizsardzības nolūkos (saskaņā ar VDAR 6. (1) panta 1. (f) punktu), lai aizsargātu mūsu tiesības saistībā ar garantiju un produkta reģistrācijas jautājumiem (saskaņā ar VDAR 6. (1) panta 1. (f) punktu) un lai analizētu mūsu produktu izplatīšanu un nodrošinātu individualizētu informāciju un piedāvājumus saistībā ar produktu (saskaņā ar VDAR 6. (1) panta 1. (f) punktu). Lai nodrošinātu tādus pakalpojumus kā, piemēram, pārdošanas un mārketinga pakalpojumus, līgumu pārvaldību, maksājumu apstrādi, programmēšanu, datu viesošānu un palīdzības dienesta pakalpojumus, mums ir tiesības nodot un pārsūtīt datus ārējiem pakalpojumu sniedzējiem un/vai ar Bosch saistītiem uzņēmumiem. Reizēm, bet vienīgi gadījumos, ja tiek nodrošināta atbilstoša datu aizsardzība, personas dati var tikt nodoti personām, kas atrodas ārpus Eiropas Ekonomikas zonas. Papildu informācija tiek sniegta pēc pieprasījuma. Ar mūsu Datu aizsardzības speciālistu varat sazināties šeit: Data Protection Officer, Information Security and Privacy (C/ISP), Robert Bosch GmbH, Postfach 30 02 20, 70442 Stuttgart, GERMANY (Vācija).

Jums ir tiesības jebkurā laikā iebilst pret savu personas datu apstrādi saskaņā ar VDAR 6. (1) panta 1. (f) punktu, pamatojoties uz savu konkrēto situāciju vai tiešā mārketinga nolūkos. Lai izmantotu savas tiesības, lūdzu, sazinieties ar mums pa e-pasta adresi

**DPO@bosch.com**. Lai noskaidrotu papildinformāciju, lūdzu, izmantojiet QR kodu.

## Turinys

<b>1</b>	<b>Simbolių paaiškinimas ir saugos nuorodos</b>	<b>52</b>
1.1	Simbolių paaiškinimas	52
1.2	Bendrieji saugos nurodymai	52
1.3	Naudojimosi instrukcija nurodymai	53
<b>2</b>	<b>Duomenys apie gaminį</b>	<b>53</b>
2.1	Atitikties deklaracija	53
2.2	Supaprastinta ES atitikties deklaracija, susijusi radijo ryšio įranga	53
2.3	Tiekiamas komplektas	53
2.4	Gaminio matmenys ir minimalūs tarpai	53
2.4.1	Vidinis blokas ir išorinis blokas	53
2.4.2	Šaldymo agento linijos	53
<b>3</b>	<b>Montavimas</b>	<b>54</b>
3.1	Prieš montavimą	54
3.2	Reikalavimai pastatymo vietai	54
3.3	Įrenginio montavimas	54
3.3.1	Vidinio bloko montavimas	54
3.3.2	Išorinio bloko montavimas	55
3.4	Vamzdynų prijungimas	55
3.4.1	Šaldymo agento linijų prijungimas prie vidinio ir išorinio bloko	55
3.4.2	Kondensato išleidimo vamzdžio prijungimas prie vidinio bloko	55
3.4.3	Sandarumo patikra ir įrenginio pripildymas	56
3.5	Prijungimas prie elektros tinklo	56
3.5.1	Bendrosios nuorodos	56
3.5.2	Vidinio bloko prijungimas	56
3.5.3	Išorinio bloko prijungimas	56
<b>4</b>	<b>Paleidimas eksploatuoti</b>	<b>57</b>
4.1	Paleidimo eksploatuoti kontrolinis sąrašas	57
4.2	Funkcionavimo patikra	57
4.3	Perdavimas naudotojui	57
<b>5</b>	<b>Trikčių šalinimas</b>	<b>57</b>
5.1	Triktytis ir rodmenys	57
5.2	Ekrane nerodomas triktys	58
<b>6</b>	<b>Aplinkosauga ir utilizavimas</b>	<b>58</b>
<b>7</b>	<b>Duomenų apsaugos pranešimas</b>	<b>59</b>

## 1 Simbolių paaiškinimas ir saugos nuorodos

### 1.1 Simbolių paaiškinimas

#### Įspėjamosios nuorodos

Įspėjamosiose nuorodose esantys įspėjamieji žodžiai nusako pasekmių pobūdį ir sunkumą, jei nebus imamasi apsaugos nuo pavojaus priemonių.

Šiame dokumente gali būti vartojami žemiau pateikti įspėjamieji žodžiai, kurių reikšmė yra apibrėžta:

#### PAVOJUS

**PAVOJUS** reiškia, kad nesilaikant nurodymų bus sunkiai ar net mirtinai sužaloti asmenys.

#### ĮSPĖJIMAS

**ĮSPĖJIMAS** reiškia, kad galimi sunkūs ar net mirtini asmenų sužalojimai.

#### PERSPĖJIMAS

**PERSPĖJIMAS** reiškia, kad galimi vidutiniai asmenų sužalojimai.




#### PRANEŠIMAS

**PRANEŠIMAS** reiškia, kad galima materialinė žala.

#### Svarbi informacija



Svarbi informacija, kai nekeliamas pavojus žmonėms ir materialiajam turtui, žymima pavaizduotu informacijos simboliu.

Simbolis	Reikšmė
	Įspėjimas dėl liepsniųjų medžiagų: šaldymo agentas R32 šiame gaminyje yra nelabai degios ir nelabai toksiškos dujos (A2L arba A2).
	Techninę priežiūrą turi atlikti kvalifikuotas personalas, laikydamasis techninės priežiūros instrukcijoje pateiktų nurodymų.
	Eksploduodami laikykitės naudojimo instrukcijoje pateiktų nurodymų.

Lent. 1

### 1.2 Bendrieji saugos nurodymai

#### Nuorodos tikslinei grupei

Ši montavimo instrukcija skirta šaldymo ir oro kondicionavimo sistemų bei elektrotechnikos specialistams. Būtina laikytis visose su įrenginiu susijusiose instrukcijose pateiktų nurodymų. Nesilaikant nurodymų, galima patirti materialinės žalos, gali būti sužaloti asmenys ir net gali iškilti pavojus gyvybei.

- ▶ Prieš pradėdami montuoti perskaitykite visų įrenginio sudedamųjų dalių montavimo instrukcijas.
- ▶ Laikykitės saugos ir įspėjamųjų nuorodų.

- ▶ Laikykitės nacionalinių ir regioninių teisės akty, techninių taisyklių ir direktyvų.
- ▶ Atliktus darbus užregistruokite dokumentuose.

### **⚠ Naudojimas pagal paskirtį**

Įrenginys nėra skirtas pramoniniam naudojimui. Įrenginio naudojimas ne pagal paskirtį ir dėl šios priežasties atsiradusiems defektams garantiniai įsipareigojimai netaikomi.

### **⚠ Šaldymo agento keliamo bendrieji pavojai**

- ▶ Šils įrenginys yra pripildytas šaldymo agento R32. Šaldymo agento dujos, kontaktuodamos su ugnimi, gali sudaryti nuodingas dujas.
- ▶ Jei montavimo metu į aplinką patenka šaldymo agento, reikia gerai išvėdinti patalpą.
- ▶ Po montavimo patikrinkite įrenginio sandarumą.
- ▶ Į šaldymo agento kontūrą neleiskite patekti jokioms kitoms medžiagoms, išskyrus nurodytą šaldymo agentą (R32).

### **⚠ Elektrinių įrenginių, skirtų naudoti namų ūkyje ir panašiais tikslais, sauga**

Siekiant išvengti elektrinių įrenginių keliamo pavojaus, remiantis EN 60335-1, reikia laikytis šių reikalavimų:

„Vaikams nuo 8 metų ir asmenims su ribotais fiziniais, jusliniais ir intelektualiais gebėjimais, neturintiems pakankamai patirties ar žinių, šį įrenginį leidžiama naudoti tik prižiūrint kitam asmeniui arba jei jie buvo instruktuoti, kaip įrenginiu saugiai naudotis ir žino apie galimus pavojus. Vaikams su įrenginiu žaisti draudžiama. Vaikams atlikti valymo ir naudotojui skirtus techninės priežiūros darbus, jei neprižiūri kitas asmuo, draudžiama.“

„Jei pažeidžiamas prijungimo prie tinklo laidas, siekiant išvengti pavojaus, dėl jo pakeitimo privaloma kreiptis į gamintoją, klientų aptarnavimo tarnybą arba kvalifikuotą asmenį.“

### **⚠ Perdavimas naudotojui**

Perduodami įrangą, instruktukite naudotoją apie kondicionieriaus valdymą ir eksploataavimo sąlygas.

- ▶ Paaiškinkite, kaip valdyti – ypač akcentuokite su sauga susijusius veiksmus.
- ▶ Ypač atkreipkite dėmesį į šiuos punktus:
  - Įrangos permontavimo ir remonto darbus leidžiama atlikti tik įgaliotai specializuotai įmonei.
  - Siekiant užtikrinti saugią ir aplinką tausojančią eksploataciją, ne rečiau kaip kartą metuose būtina atlikti patikras bei pagal poreikį – valymo ir techninės priežiūros darbus.

- ▶ Neatliekant arba netinkamai atliekant patikros, valymo ir techninės priežiūros darbus, galimos pasekmės (asmenų sužalojimas ir net pavojus gyvybei arba materialinė žala).
- ▶ Montavimo ir naudojimo instrukciją tolimesniam saugojimui perduokite naudotojui.

### **1.3 Naudojimosi instrukcija nurodymai**

Visus paveikslėlius rasite šios instrukcijos gale. Tekste yra nuorodos į paveikslėlius.

Šie gaminiai, priklausomai nuo modelio, gali skirtis, nei pavaizduota šios instrukcijos paveikslėliuose.

## **2 Duomenys apie gaminį**

### **2.1 Atitikties deklaracija**

Šio gaminio konstrukcija ir funkcionavimas atitinka Europos Sąjungos ir nacionalinius reikalavimus.



CE ženklu patvirtinama, kad gaminys atitinka visų privalomųjų ES direktyvų, kurios numato šio ženklo žymėjimą, reikalavimus.

Visas atitikties deklaracijos tekstas pateiktas internete:

[www.junkers.lt](http://www.junkers.lt).

### **2.2 Supaprastinta ES atitikties deklaracija, susijusi radijo ryšio įranga**

Bosch Thermotechnik GmbH patvirtina, kad šioje instrukcijoje aprašytas gaminys Climate Class 6100i/8100i su radijo ryšio įranga atitinka 2014/53/ES direktyvos reikalavimus.

Visas ES atitikties deklaracijos tekstas pateiktas internete:

[www.junkers.lt](http://www.junkers.lt).

### **2.3 Tiekiamas komplektas**

#### **1 pav. paaiškinimai:**

- [1] Išorinis blokas (pripildytas šaldymo agento)
- [2] Vidinis blokas (pripildytas azoto)
- [3] Jungiamoji montavimo plokštė
- [4] Veidrodinė skarda (tik spalvotiems modeliams CLC8101i... T/S/R)<sup>1)</sup>
- [5] Gnybtų dengiamasis gaubtas su varžtu
- [6] Nuotolinio valdymo pultas su baterijomis
- [7] Prie gaminio dokumentacijos pridedamas dokumentų rinkinys
- [8] Tvirtinimo medžiaga (7 ilgi varžtai, 1 specialus varžtas nuotolinio valdymo pultui tvirtinti ir 8 mūrvinės)
- [9] Skarda (kabeliui pritvirtinti apsauge nuo laido ištraukimo)

### **2.4 Gaminio matmenys ir minimalūs tarpai**

#### **2.4.1 Vidinis blokas ir išorinis blokas**

2 pav.

- [1] Mūrvinė (teikiamas komplektas)
- [2] Specialus varžtas (teikiamas komplektas)

A Modelis CLC8101i...

B Modelis CLC6101i...

#### **2.4.2 Šaldymo agento linijos**

##### **3 pav. paaiškinimai:**

- [1] Vamzdis dujų pusėje
- [2] Vamzdis skysčio pusėje
- [3] Sifono formos alkūnė kaip alyvos atskirtuvas

1) Veidrodinių skardų tvirtinimas → 10 pav.



Jei išorinis blokas yra aukščiau už vidinį bloką, dujų pusėje ne toliau kaip už 6 m sumontuokite sifono formos alkūnę ir toliau kas 6 m sumontuokite po sifono formos alkūnę (→ 3 pav., [1]).

- ▶ Neviršykite maksimalaus vamzdžio ilgio ir maksimalaus aukščių skirtumo tarp vidinio bloko ir išorinio bloko.

	Maksimalus vamzdžio ilgis <sup>1)</sup> [m]	Maksimalus aukščių skirtumas [m]
Visi tipai	≤ 15	≤ 10

1) Dujų pusėje arba skysčio pusėje

Lent. 2 Vamzdžio ilgis ir aukščių skirtumas

Įrenginio tipas	Vamzdžio skersmuo	
	Skysčio pusėje [mm]	Dujų pusėje [mm]
Visi tipai	6,35 (1/4")	9,53 (3/8")

Lent. 3 Vamzdžio skersmuo priklausomai nuo įrenginio tipo

Vamzdžio skersmuo [mm]	Alternatyvus vamzdžio skersmuo [mm]
6,35 (1/4")	6
9,53 (3/8")	10

Lent. 4 Alternatyvus vamzdžio skersmuo

Vamzdžių specifikacija	
Min. vamzdžio ilgis	3 m
Standartinis vamzdžio ilgis	5 m
Papildomas šaldymo agentas, esant vamzdžio ilgiui daugiau kaip 7,5 m (skysčio pusėje)	CLC6101i...: 15 g/m CLC8101i...: 0 g/m
Vamzdžio skersmuo, esant nuo 6,35 mm iki 12,7 mm vamzdžio skersmeniui	≥ 0,8 mm
Šiluminės izoliacijos storis	≥ 6 mm
Šiluminės izoliacijos medžiaga	Polietileno putplastis

Lent. 5



Vamzdyno ilgis be papildomos šaldymo agento pildymo yra 7,5 m. Jei vamzdynas yra ilgesnis, šaldymo agento įpilama priklausomai nuo vamzdžio ilgio. Maksimalus pildymo kiekis 1100 g.

## 3 Montavimas

### 3.1 Prieš montavimą



#### PERSPĖJIMAS

**Aštrios briaunos kelia sužalojimo pavojų!**

- ▶ Montuodami mūvėkite apsauginėmis pirštinėmis.



#### PERSPĖJIMAS

**Nudegimo pavojus!**

Vamzdynai veikimo metu labai įkaista.

- ▶ Prieš paliesdami vamzdynus įsitikinkite, kad jie atvėso.
- ▶ Patikrinkite, ar pristatytame komplekte yra visos reikiamos dalys.
- ▶ Patikrinkite, ar atidarant vidinio bloko vamzdžius dėl vakuumo yra girdimas šnypštimas.

### 3.2 Reikalavimai pastatymo vietai

- ▶ Išlaikykite minimalius atstumus (→ 4 pav.).

#### PRANEŠIMAS

#### Įrenginio pažeidimai dėl sniego!

Po išoriniu bloku patekęs sniegas gali pakenkti veikimui ir pažeisti įrenginį. Jei sniegas blokuoja kondensato išleidimo vamzdį, susidarys ledas ir pažeis bloką.

- ▶ Įsitikinkite, kad neužblokuotas išorinio bloko kondensato išleidimo vamzdis, ir užtikrinkite, kad jis visada būtų laisvas ir kad vanduo galėtų netrukdomai ištekėti.
- ▶ Kad įrenginys galėtų veikti šildymo režimu ir atitirpinimo režimu, užtikrinkite, kad tarp sniego ir išorinio bloko visada būtų ne mažesnis kaip 250 mm atstumas.

#### Vidinis blokas

- ▶ Nemontuokite vidinio bloko patalpoje, kurioje veikia atviri uždegimo šaltiniai (pvz., naudojama atvira liepsna, veikia dujinis įrenginys arba veikia elektrinis šildymas).
- ▶ Įrenginį galima montuoti patalpoje, kurios plotas 4 m<sup>2</sup>, o įmontavimo aukštis ne mažesnis kaip 2,5 m. Esant mažesniai įmontavimo aukščiui, pagrindo grindų plotas turi būti atitinkamai didesnis.
- ▶ Montavimo vieta turi būti ne aukščiau kaip 2000 m virš jūros lygio.
- ▶ Ties oro įėjimo ir išėjimo angomis neturi būti jokių kliūčių, kad galėtų netrukdomai cirkuliuoti oras. Priešingu atveju galimi galios nuostoliai ir aukštesnis garso slėgio lygis.
- ▶ Televizorių, radiją ir panašius prietaisus nuo įrenginio ir nuo nuotolinio valdymo pulto laikykite ne mažesniu kaip 1 m atstumu.
- ▶ Vidinio bloko montavimui parinkite tokią sieną, kuri slopina vibracijas.

#### Išorinis blokas

- ▶ Saugokite išorinį bloką nuo mašinų alyvos garų, karštų garų, sieros dujų ir kt.
- ▶ Išorinio bloko nemontuokite tiesiai prie vandens, jo neturi veikti jūros vėjas.
- ▶ Ant išorinio bloko niekada neturi būti sniego.
- ▶ Neturi trukdyti išeinantis oras arba veikimo metu skleidžiamas garsas.
- ▶ Oras turi gerai cirkuliuoti apie išorinį bloką, tačiau įrenginio neturi veikti stiprus vėjas.
- ▶ Veikimo metu susidaranti kondensatui turi būti galimybė išbėgti be problemų. Jei reikia, nutieskite išleidimo žarną. Šaltuose regionuose išleidimo žarną nutiesti nepatartina, nes gal apledėti
- ▶ Išorinį bloką pastatykite ant stabilaus pagrindo.

### 3.3 Įrenginio montavimas

#### PRANEŠIMAS

#### Materialinė žala dėl netinkamo montavimo!

Netinkamai sumontavus gali būti, kad įrenginys nukris nuo sienos.

- ▶ Įrenginį montuokite tik ant tvirtos ir lygios sienos. Sieną turi išlaikyti įrenginio svorį.
- ▶ Naudokite tik pagal sienos tipą ir įrenginio svorį pritaikytus varžtus ir mūrvines.

#### 3.3.1 Vidinio bloko montavimas

- ▶ Atidarykite kartoninę dėžę ir ištraukite vidinį bloką.
- ▶ Vidinį bloką su pakuotės specialių formų dalimis padėkite ant priekinės pusės.
- ▶ Nuimkite vidinio bloko užpakalinėje pusėje esančią montavimo plokštę.

- ▶ Laikydami privalomų minimalių atstumų, parinkite montavimo vietą (→ 2 pav.).
- ▶ Varžtu ir mūrvine pritvirtinkite montavimo plokštę per vidurinę kiaurymę prie sienos ir išlyginkite horizontaliai (→ 4 pav., [1]).
- ▶ Pritvirtinkite montavimo plokštę kitais šešiais varžtais ir mūrvinėmis taip, kad montavimo plokštė savo paviršiumi būtų priglodusi prie sienos.
- ▶ Vamzdynui pragręžkite pervadą pro sieną (pervado pro sieną rekomenduojama padėtis yra už vidinio bloko → 5 pav.).



Žymės [1] yra skirtos kiaurymės vietai nustatyti.

- ▶ Jei reikia, pakeiskite kondensato išleidimo vamzdžio padėtį (→ 6 pav.).



Vidinio bloko vamzdžių srieginės jungtys dažniausiai yra už vidinio bloko. Vamzdžius rekomenduojame ilginti prieš pakabinant vidinį bloką.

- ▶ Vamzdžius sujunkite kaip nurodyta 3.4 skyr.
- ▶ Jei reikia, vamzdį sulenkite pageidaujama kryptimi ir šone arba dengiamosios skardos apačioje išlaužkite angą (→ 8 pav.).
- ▶ Vamzdį praveskite per sieną ir ant montavimo plokštės užkabinkite vidinį bloką (→ 9 pav.).
- ▶ Spalvotiems modeliams CLC8101i... T/S/R yra papildomos veidrodinės skardos, kurias reikia pritvirtinti atitinkamose vietose (→ 10 pav., [2]).
  - Nustatykite veidrodinių skardų padėtį.<sup>1)</sup>
  - Nuimkite lipnią plėvelę.
  - Veidrodines skardas priderinkite prie jau esančių veidrodinių skardų [1].

Jei vidinį bloką reikia nuimti nuo montavimo plokštės:

- ▶ Spauskite vidinio bloko apačioje esančias → žymes ir traukite vidinį bloką pirmyn (11 [1] pav.).



Spalvotuose modeliuose CLC8101i... T/S/R šių žymių nesimato, nes toje vietoje yra pritvirtinta veidrodinė skarda. Tačiau vis tiek, spaudžiant atitinkamas vietas galima nuimti vidinį bloką nuo sienos.

### 3.3.2 Išorinio bloko montavimas

- ▶ Kartoninę dėžę nukreipkite aukštyn.
- ▶ Perpjaukite ir pašalinkite juostas.
- ▶ Nuimkite kartoninę dėžę, traukdami ją aukštyn ir pašalinkite pakuotę.

1) Priklausomai nuo vamzdžių padėties, reikės visų 4 veidrodinių skardų arba tik 3.

Vamzdžio išorinis skersmuo Ø [mm]	Užveržimo momentas [Nm]	Valcuotos angos skersmuo (A) [mm]	Valcuotas vamzdžio galas	Iš anksto sumontuotas valcuotos veržlės sriegis
6,35 (1/4")	18-20	8,4-8,7		1/4"
9,53 (3/8")	32-39	13,2-13,5		3/8"

Lent. 6 Vamzdžių jungčių parametrai

### 3.4.2 Kondensato išleidimo vamzdžio prijungimas prie vidinio bloko

Vidinio bloko kondensato vonelė yra su dviem jungtimis. Gamykloje prie jų yra sumontuota kondensato žarna ir kamštis, kuriuos galima sukeisti vietomis (→ 6 pav.).

- ▶ Priklausomai nuo montavimo tipo, paruoškite pastatomą ir sieninę konsolę ir ją sumontuokite.
- ▶ Išorinį bloką pastatykite arba pakabinkite, naudokite kartu pateiktus arba pačių įsigytus vibracijos slopintuvus kojoms.
- ▶ Pasirūpinkite, kad būtų sumontuotas kondensato išleidimo vamzdis.
- ▶ Nuimkite vamzdžių jungčių dangtelius (→ 12 pav.).
- ▶ Vamzdžius sujunkite kaip nurodyta 3.4 skyr.
- ▶ Vėl uždėkite vamzdžių jungčių dangtelius.

## 3.4 Vamzdynų prijungimas

### 3.4.1 Šaldymo agento linijų prijungimas prie vidinio ir išorinio bloko



#### PERSPĖJIMAS

#### Šaldymo agento ištekėjimas dėl nesandarių jungčių

Netinkamai sujungus vamzdynų jungtis, gali ištekti šaldymo agento.

- ▶ Pakartotinai naudojant jungtis, užpresuojamą dalį visada reikia pagaminti iš naujo.



Varinius vamzdžius visada galima įsigyti metriniais ir coliniais dydžiais, tačiau užpresuojamos veržlės sriegis yra toks pat. Užpresuojamos srieginės jungtys vidiniame ir išoriniame bloke yra skirtos coliniams dydžiams.

- ▶ Naudojant metrinis varinius vamzdžius, užpresuojamas veržlės reikia pakeisti tinkamo skersmens veržlėmis (→ 6 lent.).
- ▶ Nustatykite vamzdžio skersmenį ir vamzdžio ilgį (→ 53 psl.).
- ▶ Nupjaukite vamzdį vamzdžių pjaustykle (→ 7 pav.).
- ▶ Pašalinkite užvartas iš vidaus vamzdžių galuose ir išstuksenkite drožles.
- ▶ Ant vamzdžio uždėkite veržlę.
- ▶ Vamzdžių valcavimo prietaisu praplėskite iki dydžio, nurodyto 6 lentelėje. Veržlę turi būti galima šiek tiek paslinkti iki krašto, bet ne visiškai nustumti nuo jo.
- ▶ Prijunkite vamzdį ir užveržkite srieginę jungtį 6 lentelėje nurodytu užveržimo momentu.
- ▶ Aukščiau aprašytus žingsnius pakartokite antrajam vamzdžiui.

#### PRANEŠIMAS

#### Sumažintas naudingumo koeficientas dėl šilumos perdavimo tarp šaldymo agento linijų

- ▶ Šaldymo agento linijas izoliuokite atskirai vieną nuo kitos.
- ▶ Uždėkite vamzdžių izoliaciją ir pritvirtinkite.

- ▶ Kondensato žarną nutieskite su nuolydžiu.

### 3.4.3 Sandarumo patikra ir įrenginio pripildymas

#### Sandarumo tikrinimas

Atlikdami sandarumo patikrą, laikykitės nacionalinių ir vietinių reikalavimų.

- ▶ Nuimkite trijų vožtuvų gaubtelius (→ 13 pav., [1], [2] ir [3]).
- ▶ Ant Šraderio tipo vožtuvo [1] uždėkite Šraderio tipo vožtuvo atvėrimo įrankį [6] ir slėgio matavimo prietaisą [4].
- ▶ Įsukite Šraderio tipo vožtuvo atvėrimo įrankį ir atverkite Šraderio tipo vožtuvą [1].
- ▶ Vožtuvus [2] ir [3] laikykite uždarytus, ir leiskite į įrenginį azotą, kol slėgis 10 % pakils virš 42,5 bar vardinio slėgio.
- ▶ Patikrinkite, ar slėgis po 10 minučių nepakito.
- ▶ Įleiskite azoto tiek, kad būtų pasiektas vardinis slėgis.
- ▶ Patikrinkite, ar slėgis po ne mažiau kaip 1 valandos nepakito.
- ▶ Išleiskite azotą.

#### Įrenginio pripildymas

##### PRANEŠIMAS

#### Veikimo triktis dėl netinkamo šaldymo agento

Išorinis blokas gamykloje yra pripildytas šaldymo agento R32.

- ▶ Jei reikia papildyti šaldymo agento, reikia įleisti tokio paties šaldymo agento. Nemaišykite skirtingų tipų šaldymo agentų.

- ▶ Įrenginį ne mažiau kaip 30 minučių vakuumuokite vakuuminio siurbliu (→ 13 pav., [5]) ir džiovinkite, kol bus pasiektas apie –1 bar (arba ca. 500 mikronų).
- ▶ Atidarykite viršutinį vožtuvą [3] (skysčio pusėje).
- ▶ Slėgio matavimo prietaisą [4] patikrinkite, ar srautas netrikdomai cirkuliuoja.
- ▶ Atidarykite apatinį vožtuvą [2] (dujų pusėje). Šaldymo agentas pasiskirsto įrenginyje.
- ▶ Galiausiai patikrinkite slėgio sąlygas.
- ▶ Išsukite Šraderio tipo vožtuvo atvėrimo įrankį [6] ir uždarykite Šraderio tipo vožtuvą [1].
- ▶ Atjunkite vakuuminį siurblią, slėgio matavimo prietaisą ir Šraderio tipo vožtuvo atvėrimo įrankį.
- ▶ Vėl uždėkite vožtuvų gaubtelius.
- ▶ Ant išorinio bloko vėl uždėkite vamzdžių jungčių dangtelius.

### 3.5 Prijungimas prie elektros tinklo

#### 3.5.1 Bendrosios nuorodos



##### ĮSPĖJIMAS

#### pavojus gyvybei dėl elektros srovės!

Palietus elektrines dalis, kuriomis teka elektros srovė, gali trenkti elektros smūgis.

- ▶ Prieš pradėdami su elektros įranga susijusius darbus: atjunkite visų fazių srovę (saugikliu/LS jungikliu) ir apsaugokite nuo netyčinio įjungimo.
- ▶ Elektros įrangos techninės priežiūros ir remonto darbus leidžiama atlikti tik įgaliotiems elektrikams.
- ▶ Įmkitės saugos priemonių, kaip nurodyta nacionalinėse ir tarptautinėse taisyklėse.
- ▶ Esant saugumo rizikai, susijusiai su tinklo įtampa, arba montavimo metu įvykus trumpajam jungimui, apie tai raštu informuokite naudotoją ir nemontuokite įrenginių, kol nepašalinama problema.
- ▶ Visas elektrines jungtis sujunkite laikydamiesi elektrinių sujungimų schemas.
- ▶ Kabelių izoliacija kirpkite tik specialiu įrankiu.
- ▶ Prie įrenginio tinklo gnybtų nejunkite daugiau jokių naudotojų.

- ▶ Nesumaišykite fazės ir nulinio laido. Dėl to gali atsirasti veikimo trikčių.
- ▶ Esant stacionariam prijungimui prie tinklo, sumontuokite apsaugą nuo viršįtampio ir atskyriklį, kuris yra skirtas naudojamajai galiai, 1,5 karto didesnei už maksimalią įrenginio naudojamąją galią.

#### 3.5.2 Vidinio bloko prijungimas

Vidinis blokas 4-gysliu H07RN-F tipo ryšio kabeliu yra prijungtas prie išorinio bloko. Ryšio kabelio skerspjūvis turi būti ne mažesnis kaip 1,5 mm<sup>2</sup>.


##### PRANEŠIMAS

#### Materialinė žala netinkamai prijungus vidinį bloką

Maitinimo įtampa į vidinį bloką tiekama per išorinį bloką.

- ▶ Vidinį bloką prijunkite tik prie išorinio bloko.

Norint prijungti ryšio kabelį:

- ▶ Atidarykite viršutinį dangtį ir priekinį dangtį.
  - Atfiksukite viršutinio dangčio užraktus.
  - Viršutinį dangtį laikykite priešais savo kūną ir nukelkite.
  - Priekinį dangtį iškelkite iš kablių ir patraukite bėgelį išilgai pirmyn. (→ 14 pav.).
- ▶ Paruoškite jungiamojo kabelio [3] galą, skirtą vidiniam blokui (→ 15 iki 16 pav.).
- ▶ Išsukite varžtą [4] ir nuimkite jungiamojo gnybto dangtelį [5].
- ▶ Vidinio bloko užpakalinėje pusėje išlaužkite kabeliniam įvadui skirtą angą ir praveskite kabelį.
- ▶ Prijunkite kabelį prie gnybtų N, 1, 2.
- ▶ Prie  prijunkite apsauginį laidą [2].
- ▶ Užsirašykite, kaip gyslos priskirtos prie jungiamųjų gnybtų.
- ▶ Vėl pritvirtinkite jungiamųjų gnybtų dangtelį.
- ▶ Vėl pritvirtinkite priekinį dangtį ir viršutinį dangtį.
- ▶ Praveskite kabelį per išorinį bloką.

#### 3.5.3 Išorinio bloko prijungimas

Prie išorinio bloko yra prijungiamas elektros srovės kabelis (3-gydis) ir ryšio kabelis, einantis į vidinį bloką, (4-gydis). Naudokite pakankamo skerspjūvio H07RN-F tipo kabelį ir apsaugokite tinklo jungtį saugikliu (→ 7 lent.).



Išorinis blokas	Tinklo saugiklis	Laido skersmuo	
		Elektros srovės kabelis	Ryšio kabelis
Visi tipai	16 A	≥ 1,5 mm <sup>2</sup>	≥ 1,5 mm <sup>2</sup>

Lent. 7

- ▶ Paruoškite elektros srovės kabelio galą (→ 17 pav.).
- ▶ Paruoškite ryšio kabelio galą (→ 18 pav.).
- ▶ Nuimkite elektrinės jungties dangtelis [3+6] (→ 19 pav.).



Modelyje CLC6101i... yra tik išorinis dangtis [3].

- ▶ Elektros srovės kabelį [2] ir ryšio kabelį [1] užfiksukite apsauga nuo laidų ištraukimo [4]. Jei reikia, tarp jų įdėkite kartu patiektą įdėklą [5].
- ▶ Elektros srovės kabelį prijunkite prie gnybtų N, 1 ir .
- ▶ Ryšio kabelį prijunkite prie N, 1, 2 ir  (gyslų priskyrimas jungiamiesiems gnybtams toks pat, kaip ir vidiniame bloke).
- ▶ Vėl pritvirtinkite dangtelius.



## 4 Paleidimas eksploatuoti

### 4.1 Paleidimo eksploatuoti kontrolinis sąrašas

1	Vidinis blokas ir išorinis blokas tinkamai sumontuoti.	
2	Vamzdžiai tinkamai <ul style="list-style-type: none"> <li>prijungti,</li> <li>izoliuoti šilumine izoliacija</li> <li>patikrintas jų sandarumas.</li> </ul>	
3	Tinkamai prijungtas kondensato išleidimo vamzdis ir patikrintas.	
4	Tinkamai sujungtos elektrinės jungtys. <ul style="list-style-type: none"> <li>Elektros srovės tiekimas yra tinkamame diapazone</li> <li>Tinkamai prijungtas apsauginis laidas</li> <li>Jungiamasis kabelis tvirtai prijungtas prie gnybtų plokštės</li> </ul>	
5	Visi dangteliai uždėti ir pritvirtinti.	
6	Vidinio bloko oro deflektorius tinkamai sumontuotas, o servopavara užfiksuota.	

Lent. 8

### 4.2 Funkcionavimo patikra

Baigus montuoti, atlikus sandarumo patikrą ir prijungtus elektrines jungtis, galima atlikti sistemos patikrą:

- ▶ Užtikrinkite įtampos tiekimą.
- ▶ Nuotolinio valdymo pultu įjunkite vidinį bloką.
- ▶ Norėdami įjungti vėsinimo režimą, 5 sekundes laikykite paspaudę mygtuką **ON/OFF**[1] (→ 20 pav.) Pasigirsta pypsėjimas ir mirksi veikimo indikatorius lemputė.
- ▶ Vėsinimo režimą tikrinkite 5 minutes.
- ▶ Užtikrinkite oro deflektoriaus [2] paslankumą.
- ▶ Nuotolinio valdymo pulte pasirinkite šildymo režimą.

Trikties kodas	Galima priežastis
00 – 0	Įprastinis režimas
01 – ...	Išorinio bloko termistoriaus trumpasis jungimas
02 – ...	Triktis dėl per aukštos temperatūros kompresoriuje arba šilumokaityje
03 – 0	Išorinis blokas dėl apsaugos yra trumpam išjungtas.
05 – ...	Atvira elektros srovės grandinė išorinio bloko termistoriuje
06 – ...	Per didelė apkrova dėl nepakankamo šaldymo agento kiekio arba užblokuoto oro įvado/oro išvado. Triktis IPM modulyje arba išorinio bloko pagrindinės valdymo plokštės apsauga nuo virššrovio.
07 – ...	
09 – ...	Triktis termistoriuje arba 4-eigiame vožtuve, arba nepakankamas šaldymo agento kiekis.
10 – ...	Parametrų triktis išorinio bloko EEPROM
11 – ...	Išorinio bloko ventiliatoriaus triktis
13 – ...	Kompresoriaus triktis paleidimo arba veikimo metu
14 – ...	Impulso amplitudžių moduliacijos triktis
17 – ...	Netinkamai prijungtos įrenginių su atvira elektros srovės grandine elektrinės jungtys
18 – ...	Netinkamai prijungtos įrenginių, kuriuose įvykęs trumpasis jungimas, elektrinės jungtys
19 – ...	Triktis išorinio bloko ventiliatoriuje
20 – ...	Parametrų triktis vidinio bloko EEPROM
24 – ...	Vidinio bloko su WLAN ryšio triktis
26 – ...	Vidinio bloko termistoriaus triktis

Lent. 9

- ▶ Šildymo režimą tikrinkite 5 minutes.
- ▶ Norėdami nutraukti veikimą, dar kartą paspauskite mygtuką **ON/OFF**.

### 4.3 Perdavimas naudotojui

- ▶ Kai sistema įrengiama, montavimo instrukcija yra perduodama klientui.
- ▶ Remdamiesi naudojimo instrukcija, paaiškinkite klientui, kaip valdyti sistemą.
- ▶ Patarkite klientui atidžiai perskaityti naudojimo instrukciją.

## 5 Trikčių šalinimas

### 5.1 Triktys ir rodmenys



#### ĮSPĖJIMAS

#### pavojus gyvybei dėl elektros srovės!

Palietus elektrines dalis, kuriomis teka elektros srovė, gali trenkti elektros smūgis.

- ▶ Prieš pradėdami su elektros įranga susijusius darbus: atjunkite visų fazių srovę (saugikliu/LS jungikliu) ir apsaugokite nuo netyčinio įjungimo.

Apie įrenginio triktį taip pat gali pranešti nuoseklus šių lempučių mirksėjimas:

- Veikimo indikatorius lemputė (žalia)
- Laikmačio lemputė (oranžinė)
- "Plasmacluster" lemputė (mėlyna)

Ženklių sumirksėjimo kiekis nurodo trikties kodo skaitmenį.

Pavyzdžiui, įvykus triktis **23 – 4**, žalia lemputė sumirksi 2 kartus, po to 3 kartus sumirksi oranžinė lemputė, o mėlyna lemputė sumirksi 4 kartus. Trikties kodą taip pat galima iškviešti nuotolinio valdymo pultu → naudojimo instrukciją.

Jei triktis įvykusi ilgiau kaip 10 minučių:

- ▶ Trumpam nutraukite elektros energijos tiekimą ir vėl įjunkite vidinį bloką.

Jei nepavyksta pašalinti trikties:

- ▶ Kreipkitės į klientų aptarnavimo tarnybą ir nurodykite trikties kodą bei įrenginio duomenis.

## 5.2 Ekrane nerodomas triktys

Triktis	Galima priežastis	Pašalinimas
Per silpna vidinio bloko galia.	Užterštas išorinio arba vidinio bloko šilumokaitis.	▶ Išvalykite išorinio arba vidinio bloko šilumokaitį.
	Per mažai šaldymo agento	▶ Patikrinkite vamzdžių sandarumą, jei reikia – užsandarinkite iš naujo. ▶ Papildykite šaldymo agento.
Neveikia vidinis blokas ir išorinis blokas.	Nėra srovės	▶ Patikrinkite prijungimą prie elektros srovės. ▶ Įjunkite vidinį bloką.
	Suveikė saugiklis.	▶ Patikrinkite prijungimą prie elektros srovės. ▶ Pakeiskite saugiklį.
Nuolat įsijungia ir sustoja išorinis blokas arba vidinis blokas.	Sistemoje per mažai šaldymo agento.	▶ Patikrinkite vamzdžių sandarumą, jei reikia – užsandarinkite iš naujo. ▶ Papildykite šaldymo agento.
	Sistemoje per daug šaldymo agento.	Šaldymo agento atgavimo prietaisu sumažinkite šaldymo agento kiekį.
	Drėgmė arba nešvarumai šaldymo agento kontūre.	▶ Vakuumuokite šaldymo agento kontūrą. ▶ Įleiskite naujo šaldymo agento.
	Per dideli įtampos svyravimai.	▶ Sumontuokite įtampos reguliatorių.
	Pažeistas kompresorius.	▶ Pakeiskite kompresorių.

Lent. 10

## 6 Aplinkosauga ir utilizavimas

Aplinkosauga yra Bosch grupės veiklos prioritetas.

Mums vienodai svarbu gaminių kokybė, ekonomiškumas ir aplinkosauga. Todėl griežtai laikomės su aplinkosauga susijusių įstatymų bei teisės aktų.

Siekdami apsaugoti aplinką ir atsižvelgdami į ekonomiškumo kriterijus, gamyboje taikome geriausius procesus, techniką bei medžiagas.

### Pakuotė

Mes dalyvaujame šalyse vykdomose pakuočių utilizavimo programose, užtikrinančiose optimalų perdirbimą.

Visos pakuotės medžiagos yra nekenksmingos aplinkai ir jas galima perdirbti.

### Įrangos atliekos

Nebetinkamuose naudoti įrenginiuose yra medžiagų, kurias galima perdirbti.

Konstruktiniai elementai lengvai išardomi. Plastikai yra atitinkamai sužymėti. Todėl įvairius konstrukcinius elementus galima surūšiuoti ir utilizuoti arba atiduoti perdirbti.

### Naudoti elektriniai ir elektroniniai prietaisai



Šis simbolis reiškia, kad gaminį draudžiama šalinti kartu su kitomis atliekomis; jį tolimesniai apdorojimui, surinkimui, utilizacijai ir šalinimui privaloma pristatyti į atliekų surinkimo punktą.



Šis simbolis galioja šalims, kuriose privaloma laikytis elektronikos laužo direktyvų, pvz., "Europos direktyvos 2012/19/EB dėl elektros ir elektroninės įrangos atliekų". Šios direktyvos apibrėžia ribines sąlygas, kurios galioja elektroninės įrangos grąžinimui ir utilizavimui atskirose šalyse.

Kadangi elektroniniuose prietaisuose gali būti kenksmingų medžiagų, siekiant kaip galima sumažinti galimą žalingą poveikį aplinkai ir pavojus žmonių sveikatai, juos reikia atsakingai utilizuoti. Be to, elektroninio laužo utilizavimas padeda tausoti gamtos išteklius.

Dėl išsamesnės informacijos apie aplinkai nekenksmingą elektros ir elektroninių atliekų šalinimą prašome kreiptis į atsakingas vietines įstaigas, į savo atliekų šalinimo įmonę arba į prekybos atstovą, iš kurio nusipirkote šį gaminį.

Daugiau informacijos rasite čia:

[www.weee.bosch-thermotechnology.com/](http://www.weee.bosch-thermotechnology.com/)

### Baterijas

Baterijas į buitinių atliekų konteinerius mesti draudžiama. Panaudotos baterijos turi būti šalinamos vietinėse atliekų surinkimo įmonėse.

### Šaldymo agentas R32



Įrenginyje yra fluorintų šiltnamio efektą sukeliančių dujų R32 (šiltnamio efektą sukeliančių dujų potencialias 675<sup>1)</sup>), kurios yra nelabai degios ir nelabai toksiškos dujos (A2L arba A2).

Esantis kiekis yra nurodytas išorinio bloko tipo lentelėje.

Šaldymo agentas kelia pavojų aplinkai, todėl jį reikia atskirai surinkti ir šalinti.

1) remiantis Europos Parlamento ir Tarybos reglamento (ES) Nr. 517/2014, I priedu, 2014 m. balandžio 16 d.

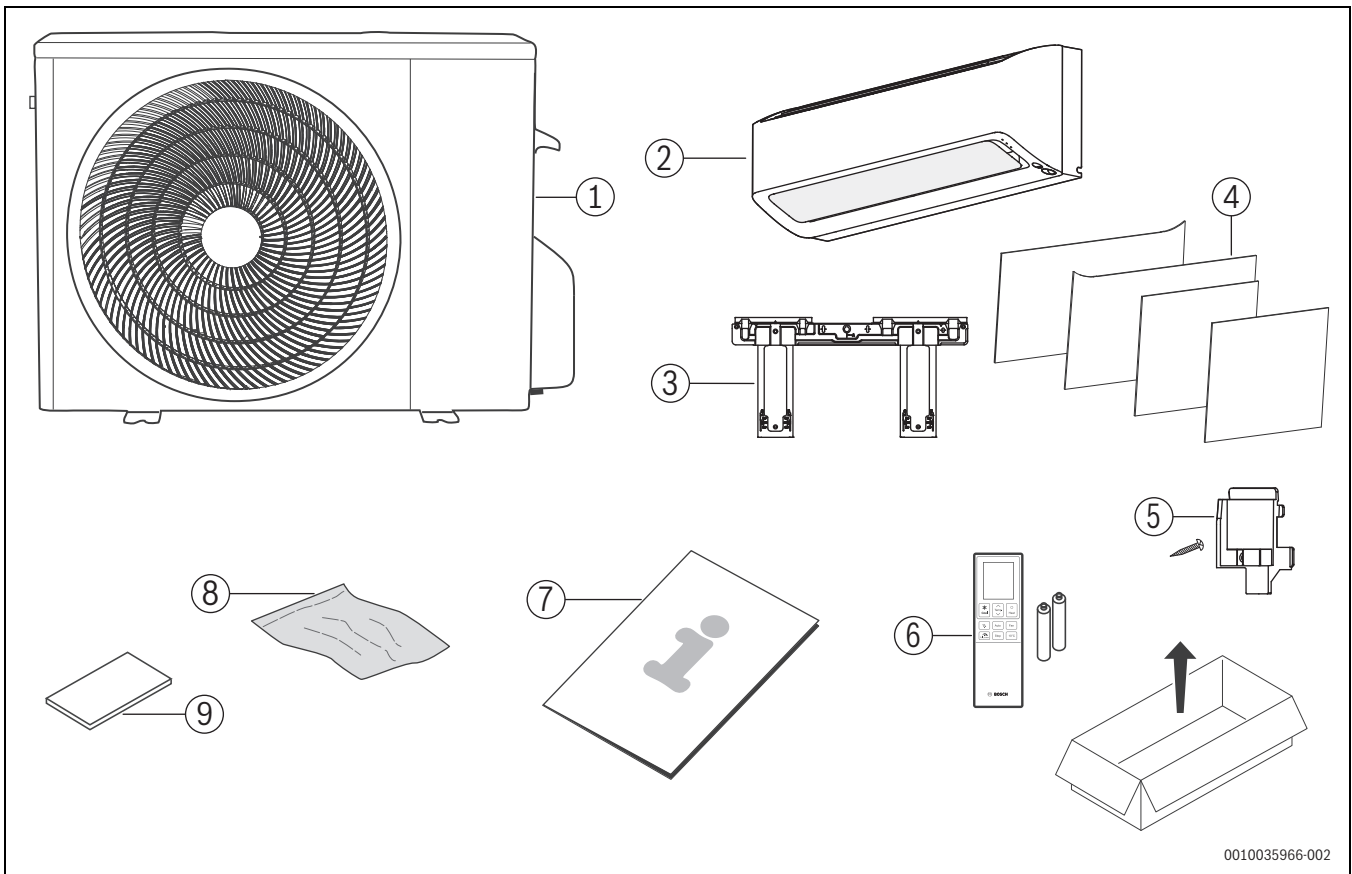
## 7 Duomenų apsaugos pranešimas



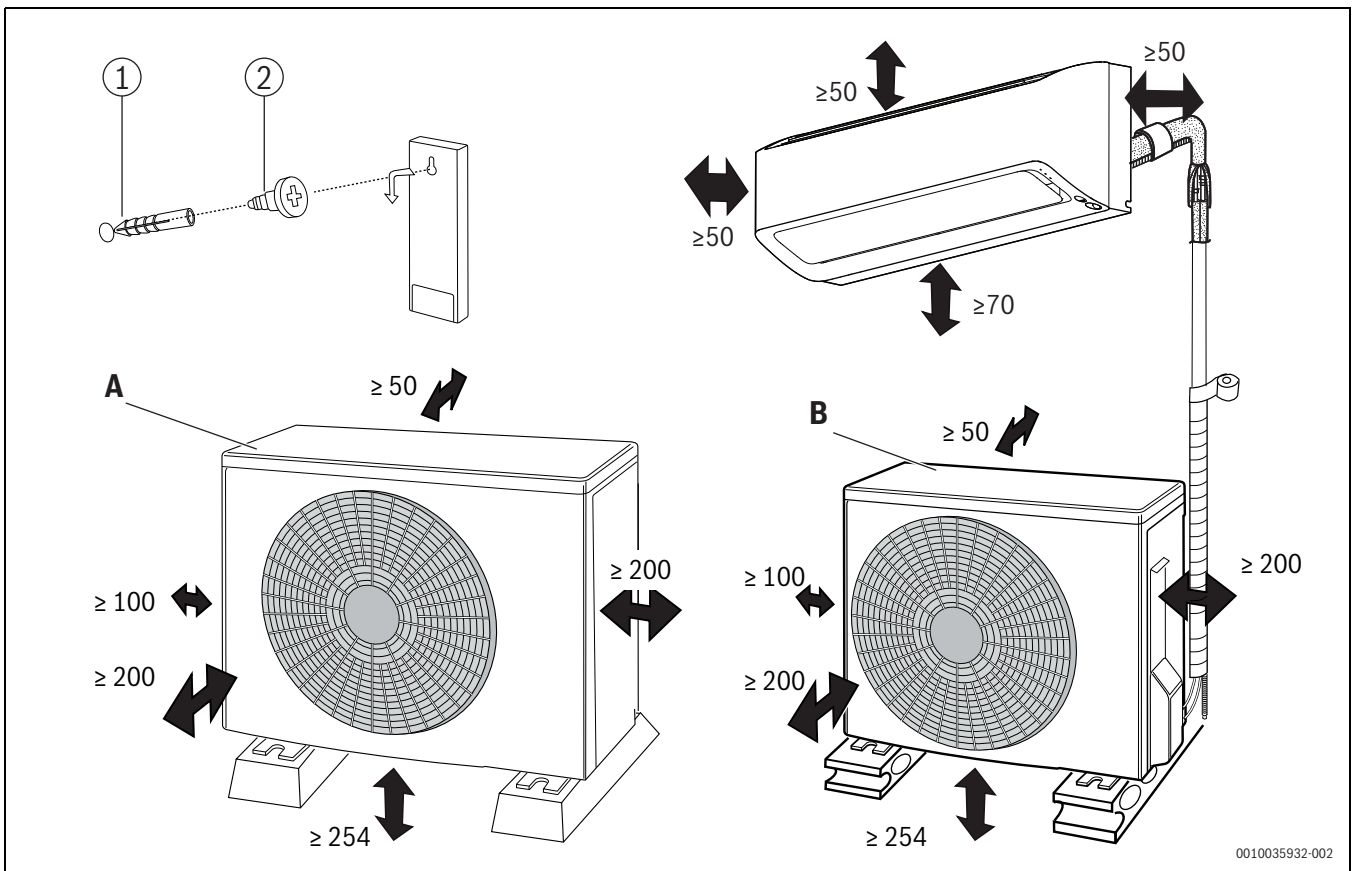
Mes, įmonė **Robert Bosch UAB, Ateities plentas 79A., LT 52104 Kaunas, Lietuva**, apdorojame informaciją apie gaminius ir jų įmontavimą, techninius ir prijungimo duomenis, ryšių duomenis, produktų registravimo ir klientų istorijos duomenis, kad galėtume užtikrinti produkto funkcionalumą (BDAR 6

(1) str. 1 (b) dalis), siekiant įvykdyti mūsų pareigą stebėti gaminį ir užtikrinti gaminio saugą ir saugumą (BDAR 6 (1) str. 1 (f) dalis), apsaugoti mūsų teises, susijusias su garantijos ir produktų registravimo klausimais (BDAR 6 (1) str. 1 (f) dalis) ir analizuoti mūsų produktų platinimą bei teikti individualią informaciją ir pasiūlymus, susijusius su produktu (BDAR 6 (1) str. 1 (f) dalis). Norėdami teikti tokias paslaugas, kaip pardavimo ir rinkodaros paslaugos, sutarčių valdymas, mokėjimų tvarkymas, programavimas, duomenų laikymas ir karštosios linijos paslaugos, mes galime pavesti ir perduoti duomenis išorės paslaugų teikėjams ir (arba) su "Bosch" susijusioms įmonėms. Kai kuriais atvejais, bet tik tuo atveju, jei užtikrinama tinkama duomenų apsauga, asmens duomenys gali būti perduoti gavėjams, esantiems už Europos ekonominės erdvės ribų. Papildoma informacija pateikiama atskiru prašymu. Galite susisiekti su mūsų duomenų apsaugos pareigūnu: Data Protection Officer, Information Security and Privacy (C/ISP), Robert Bosch GmbH, Postfach 30 02 20, 70442 Stuttgart, VOKIETIJA.

Jūs bet kuriuo metu galite nesutikti su savo asmens duomenų tvarkymu pagal BDAR 6 (1) str. 1 (f) dalį, dėl priežasčių, susijusių su jūsų konkrečia situacija arba tiesioginės rinkodaros tikslais. Norėdami pasinaudoti savo teisėmis, prašom susisiekti su mumis adresu **DPO@bosch.com**. Norėdami gauti daugiau informacijos, vadovaukitės QR kodu.

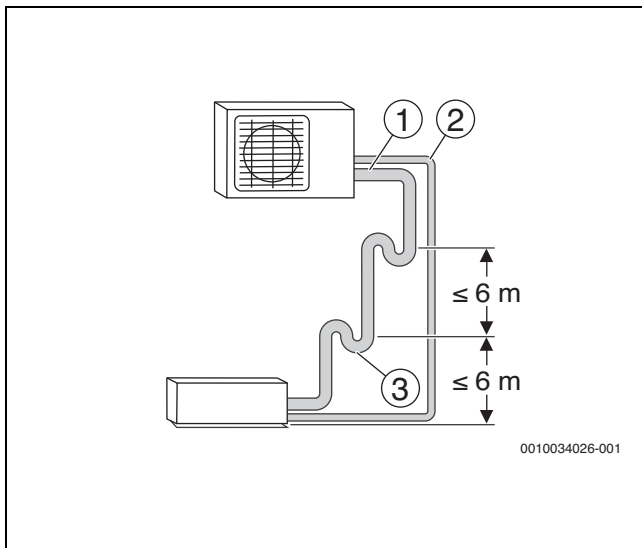


1

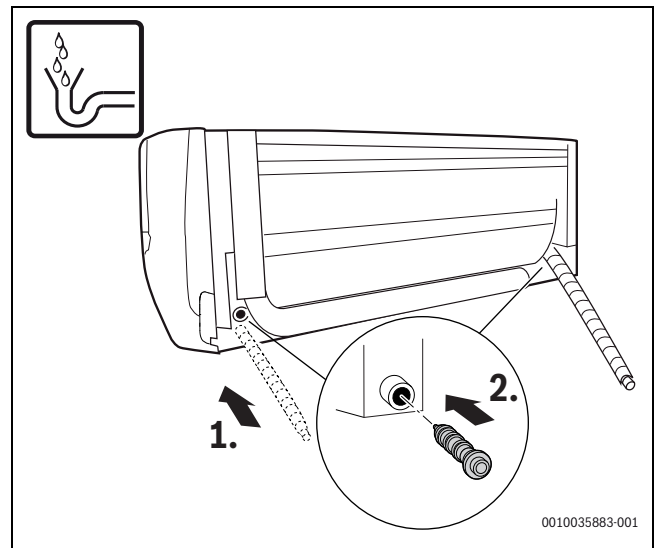


2

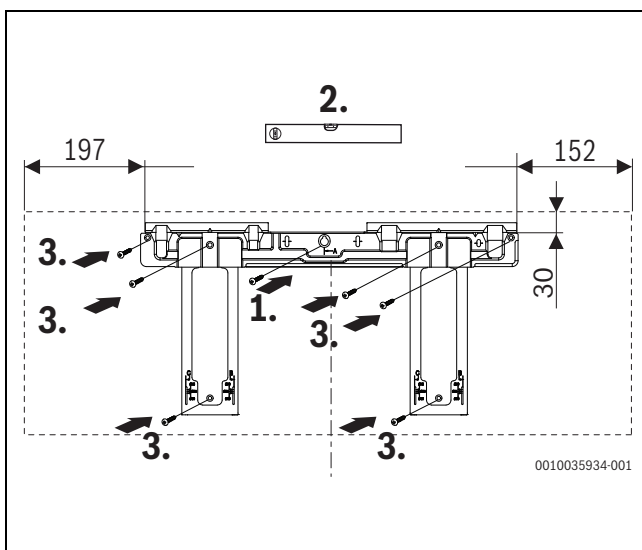
**A:** CLC8101i...; **B:** CLC6101i...



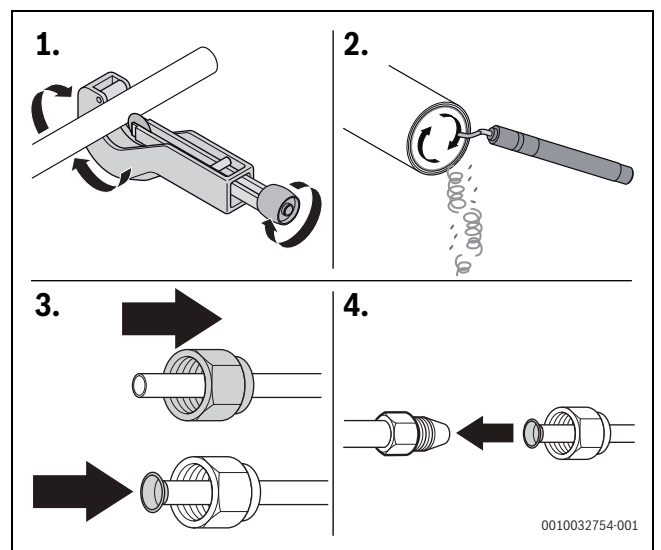
3



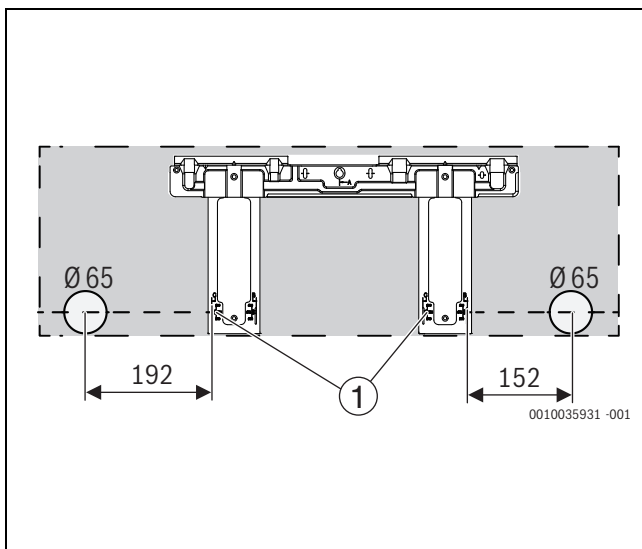
6



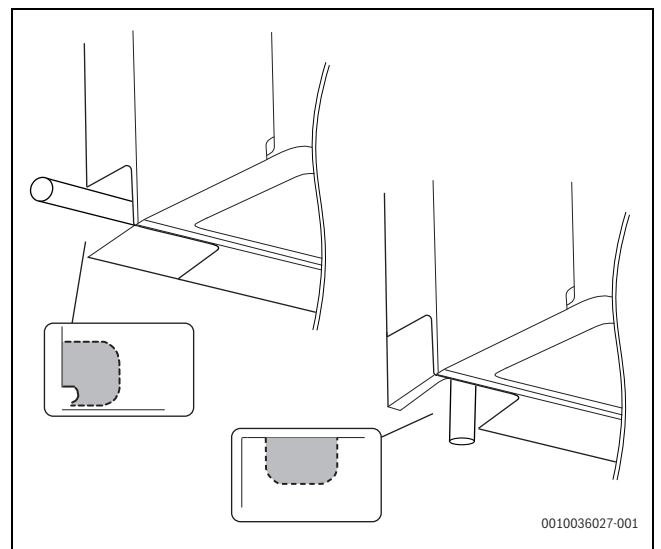
4



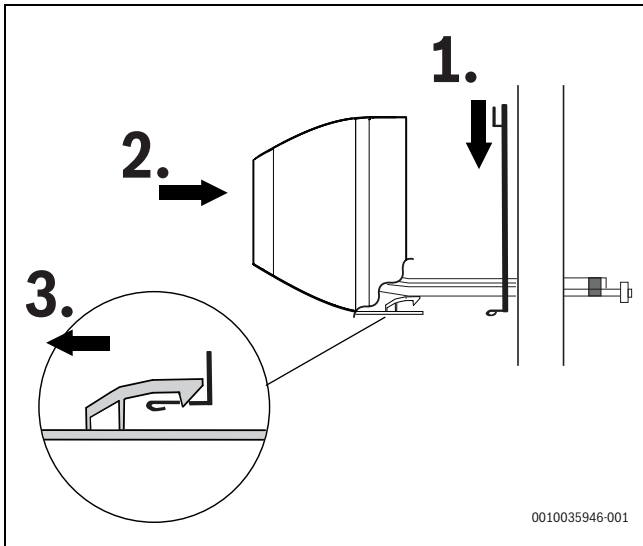
7



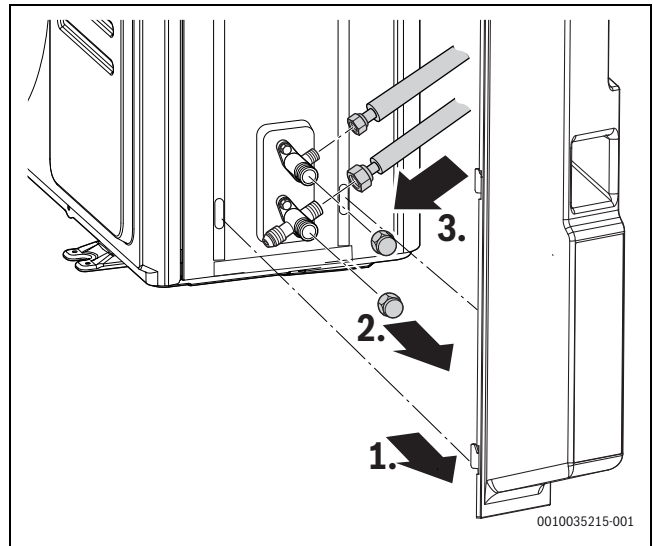
5



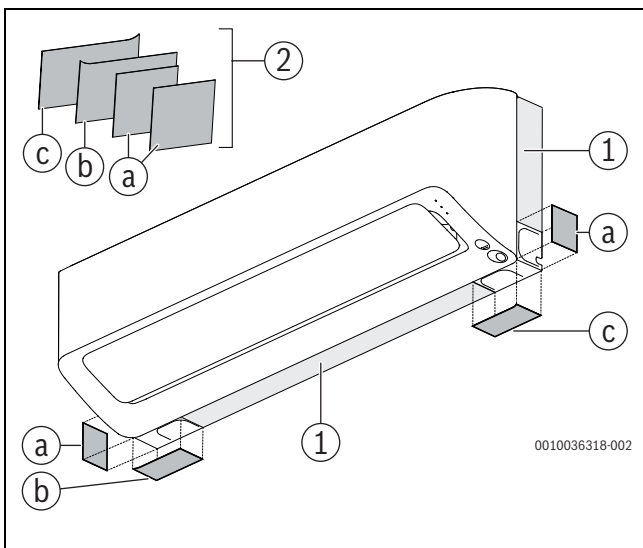
8



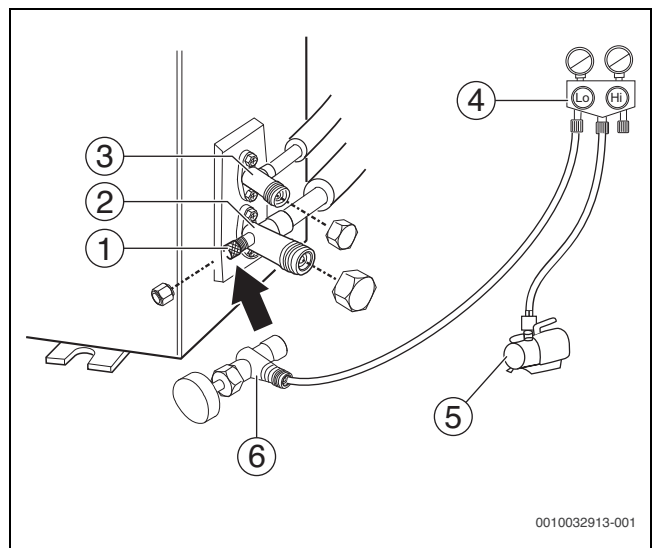
9



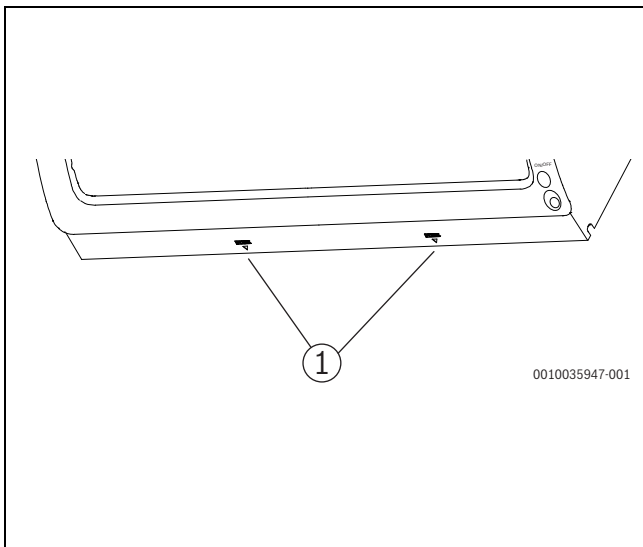
12



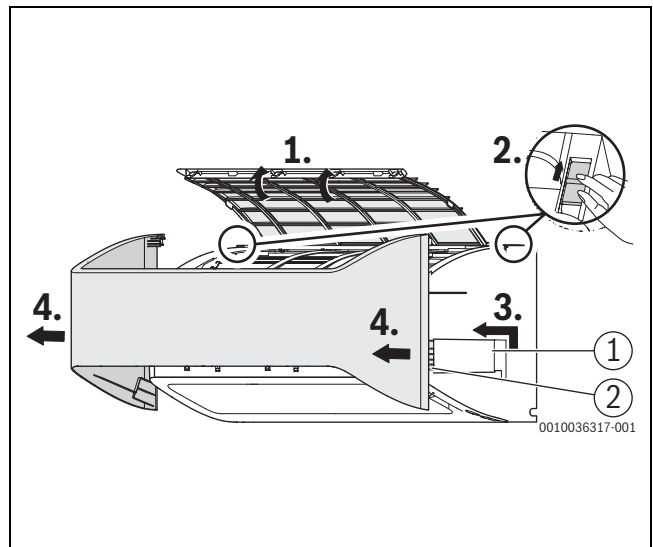
10



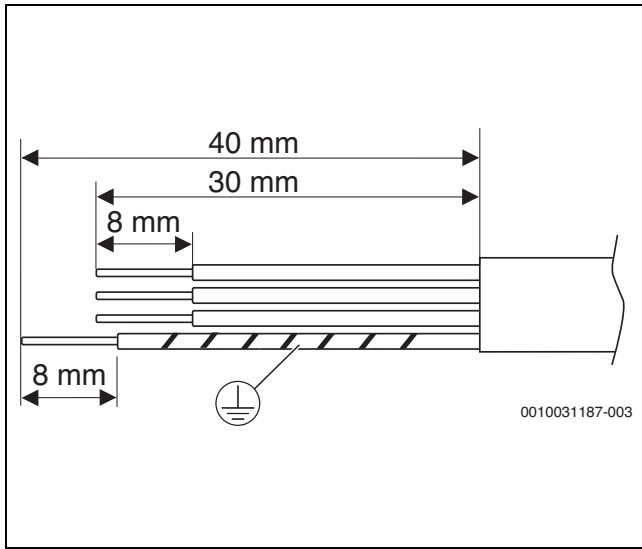
13



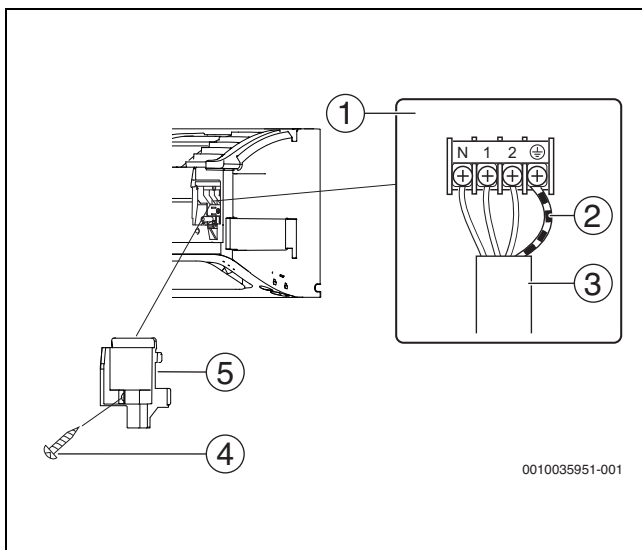
11



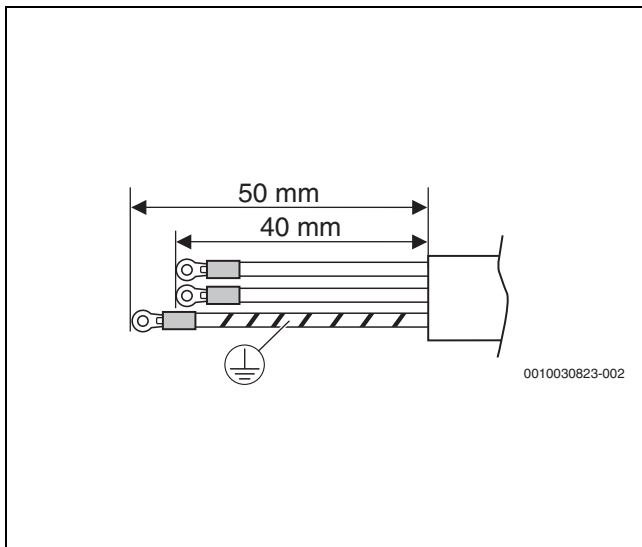
14



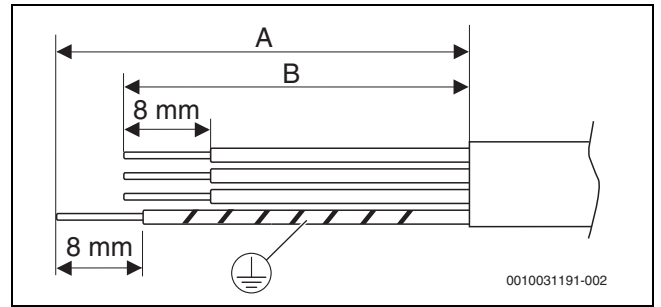
15



16



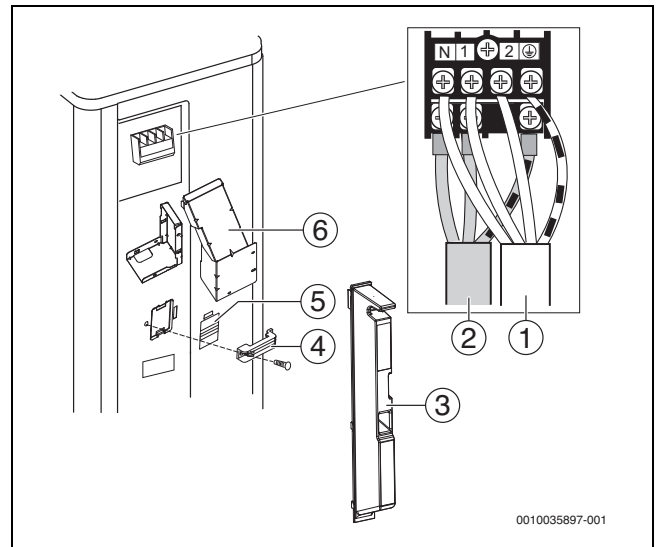
17



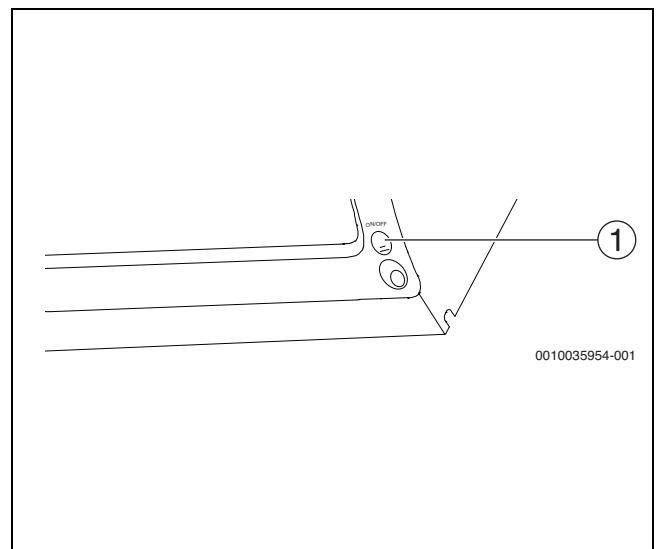
18

	A [mm]	B [mm]
CLC6101i...	50	40
CLC8101i...	65	55

11



19



20

Bosch Thermotechnik GmbH  
Junkersstrasse 20-24  
D-73249 Wernau

[www.bosch-thermotechnology.com](http://www.bosch-thermotechnology.com)