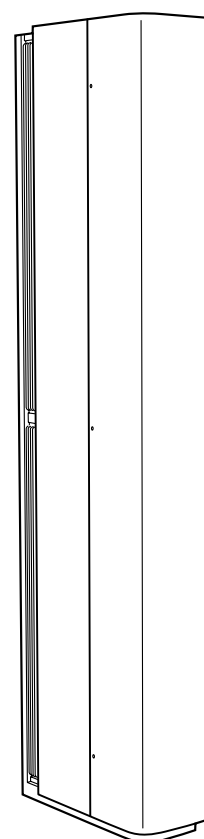
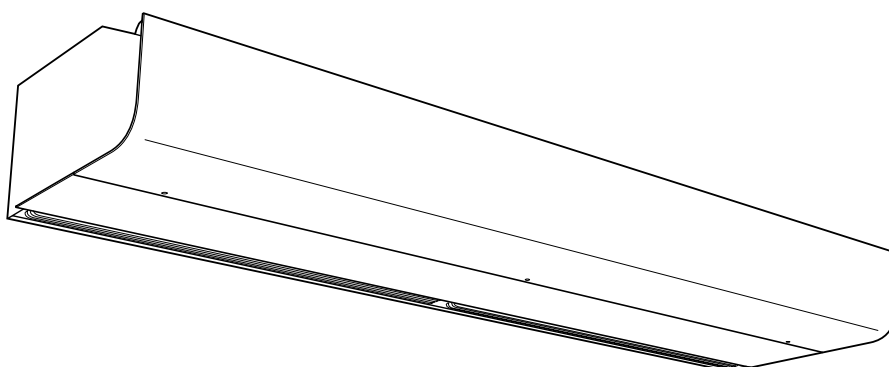


Original instructions  
**PA3500/4200**



SE .... 29

GB ... 35

NO ... 40

DE ... 46

ES ... 52

FR ... 58

IT ... 64

NL ... 70

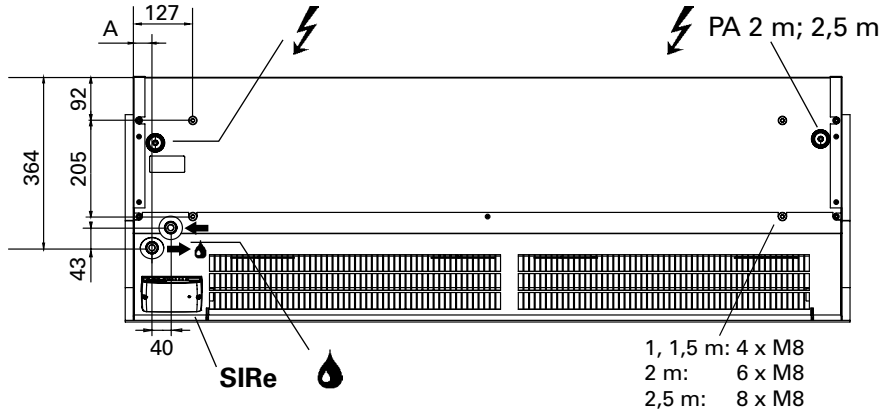
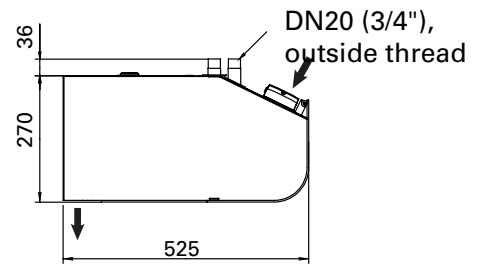
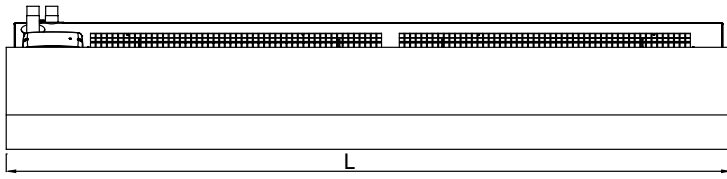
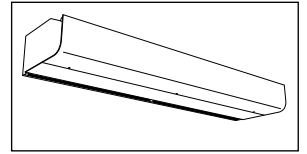
PL ... 76

RU ... 82

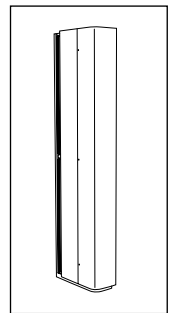
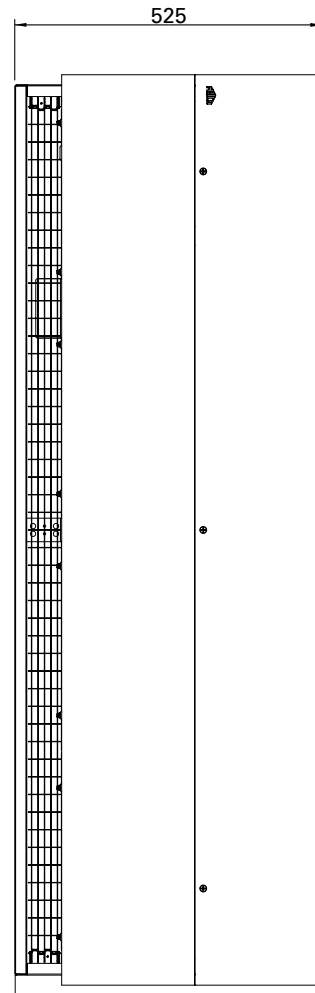
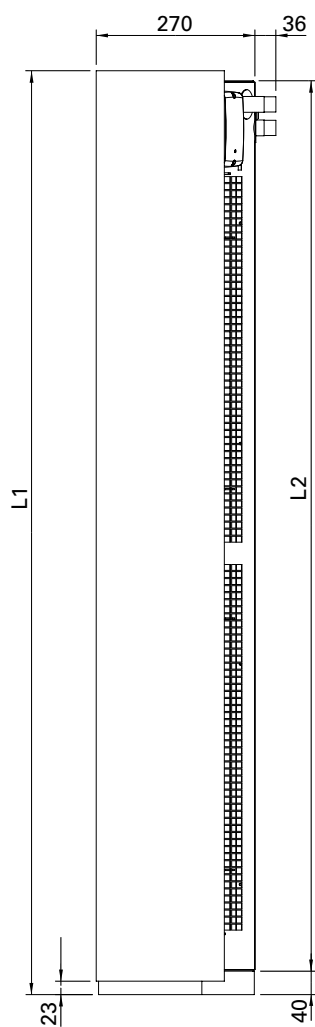
FI ... 86

- SE** Introduktionssidorna består huvudsakligen av bilder. För översättning av de engelska texter som används, se respektive språksidor.
- GB** The introduction pages consist mainly of pictures. For translation of the English texts used, see the respective language pages.
- NO** Introduksjonssidene består hovedsakelig av bilder. For oversettelse av de engelske tekstene, se de respektive språksidene.
- FR** Les pages de présentation contiennent principalement des images. Pour la traduction des textes en anglais, consultez la page correspondante à la langue souhaitée.
- DE** Die Einleitungsseiten bestehen hauptsächlich aus Bildern. Für die Übersetzung der verwendeten Texte in englischer Sprache, siehe die entsprechenden Sprachseiten.
- ES** Las páginas introductorias contienen básicamente imágenes. Consulte la traducción de los textos en inglés que las acompañan en las páginas del idioma correspondiente.
- NL** De inleidende pagina's bevatten hoofdzakelijk afbeeldingen. Voor een vertaling van de gebruikte Engelse teksten, zie de pagina's van de resp. taal.
- IT** Le pagine introduttive contengono prevalentemente immagini. Per le traduzioni dei testi scritti in inglese, vedere le pagine nelle diverse lingue.
- PL** Początkowe strony zawierają głównie rysunki. Tłumaczenie wykorzystanych tekstów angielskich znajduje się na odpowiednich stronach językowych.
- RU** Страницы в начале Инструкции состоят в основном из рисунков, схем и таблиц. Перевод встречающегося там текста приведен в разделе RU.
- FI** Esittelysivut koostuvat lähinnä kuvista. Suvuilla olevien enlanninkielisten sanojen käännökset löytyvät ko. kielisivuilta.

PA3500

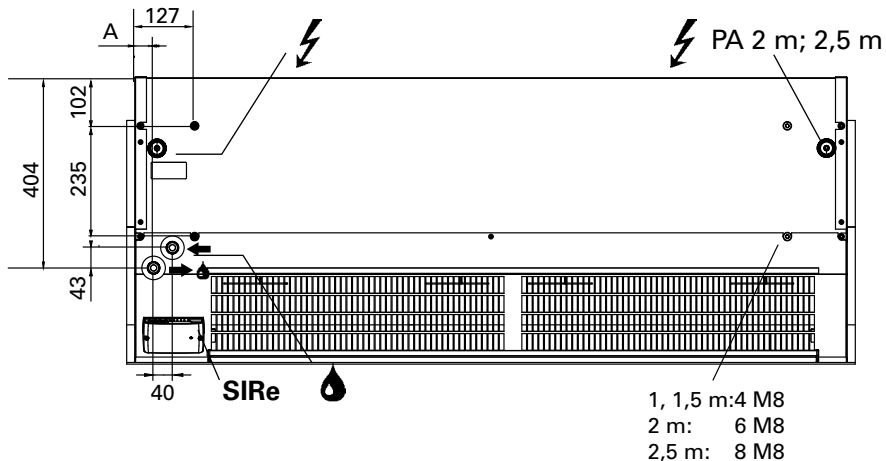
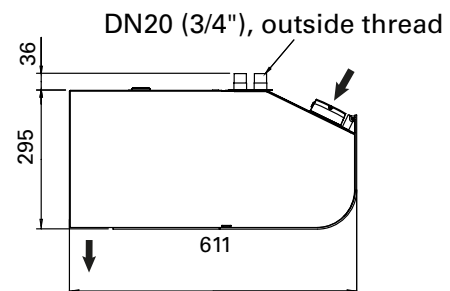
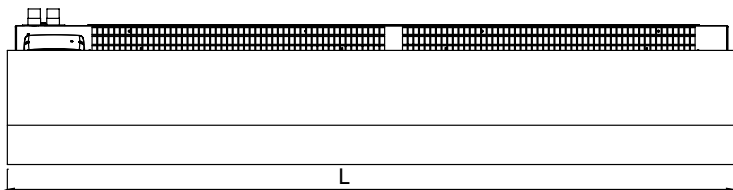
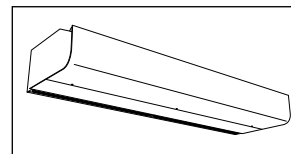


	L [mm]	A [mm]
PA3510	1039	40
PA3515	1549	40
PA3520	2039	40
PA3525	2549	39

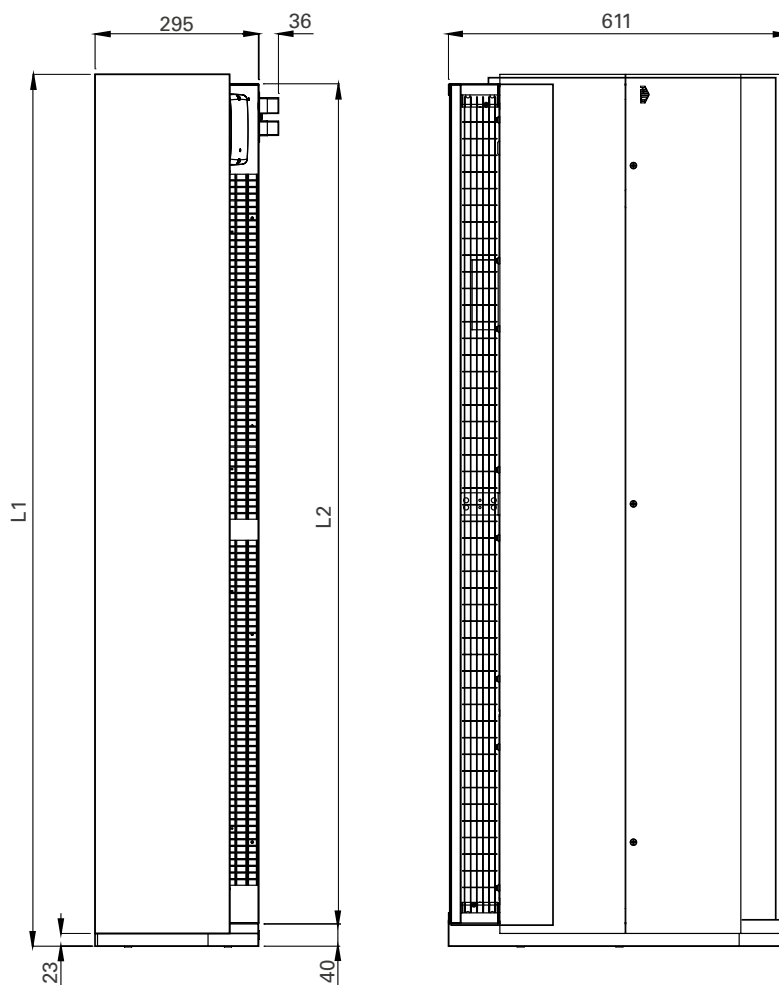


	L1 [mm]	L2 [mm]
PA3515	1572	1515
PA3520	2062	2004
PA3525	2572	2515

PA4200



	L [mm]	A [mm]
PA4210	1039	40
PA4215	1549	40
PA4220	2039	40
PA4225	2549	39



	L1 [mm]	L2 [mm]
PA4215	1572	1515
PA4220	2062	2004
PA4225	2572	2515

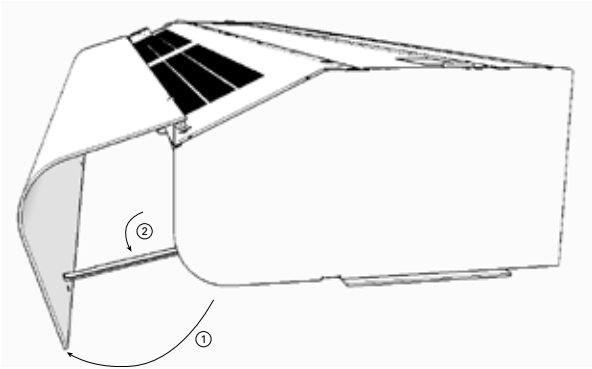


Fig. 1A: Open the unit by raising the front panel. The front is blocked in open position with the front hatch hook.

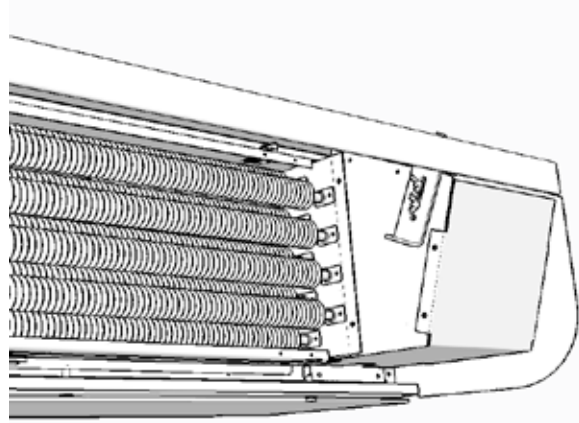


Fig. 1B: When the front has been removed it is important to be sure it is firmly seated in the front locks again.

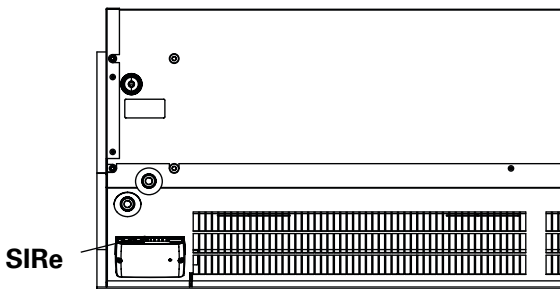


Fig. 2: Control card SIRe is integrated in the air curtain at delivery.

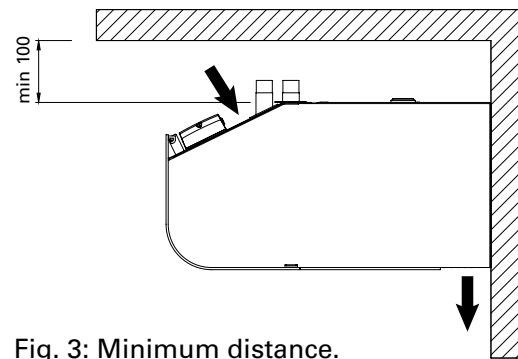


Fig. 3: Minimum distance.

**Filling the water coil**

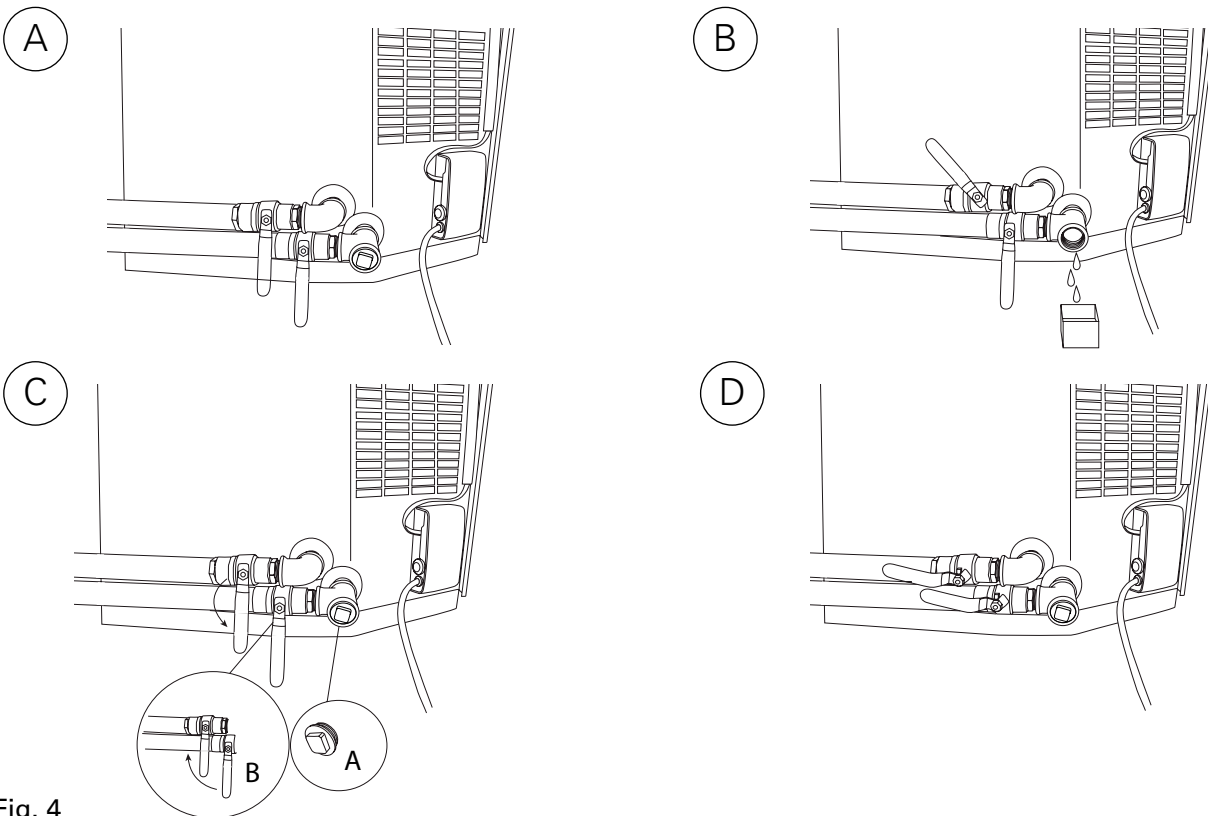
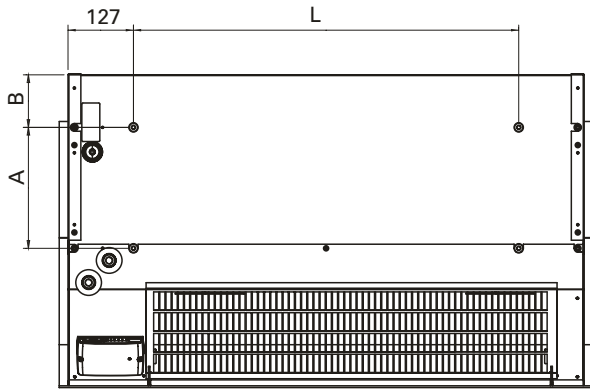


Fig. 4

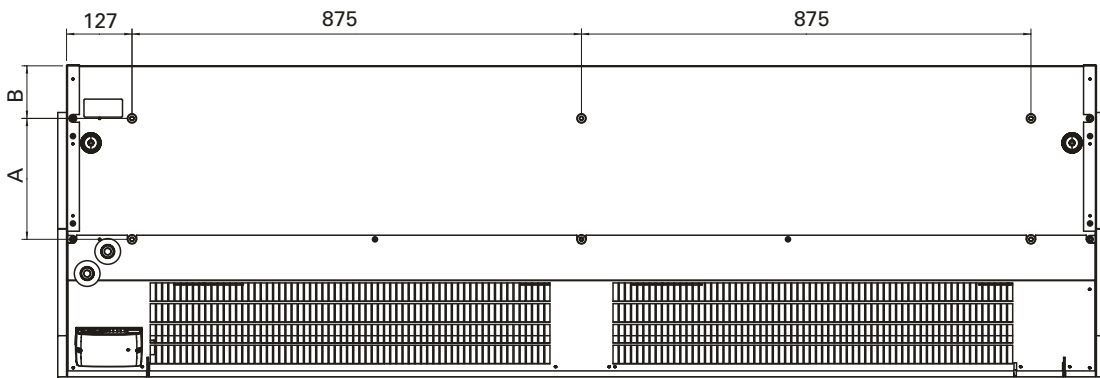
PA3510/PA3515/PA4210/PA4215



	A [mm]	B [mm]
PA3500	205	92
PA4200	235	102

	L [mm]
PA3510	750
PA4210	750
PA3515	1260
PA4215	1260

PA3520/PA4220



PA3525/PA4225

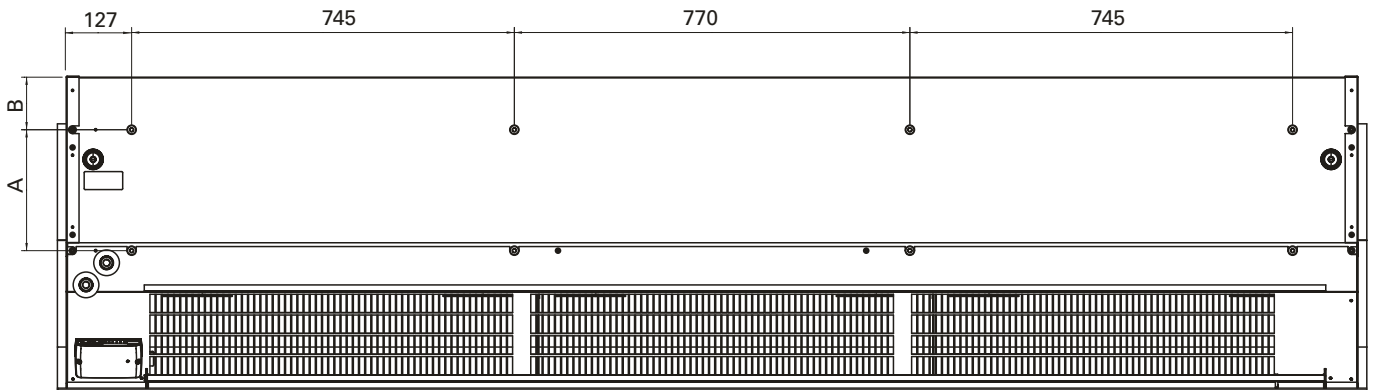


Fig. 5: M8-holes for mounting.

PA3500/4200 + PA34WB

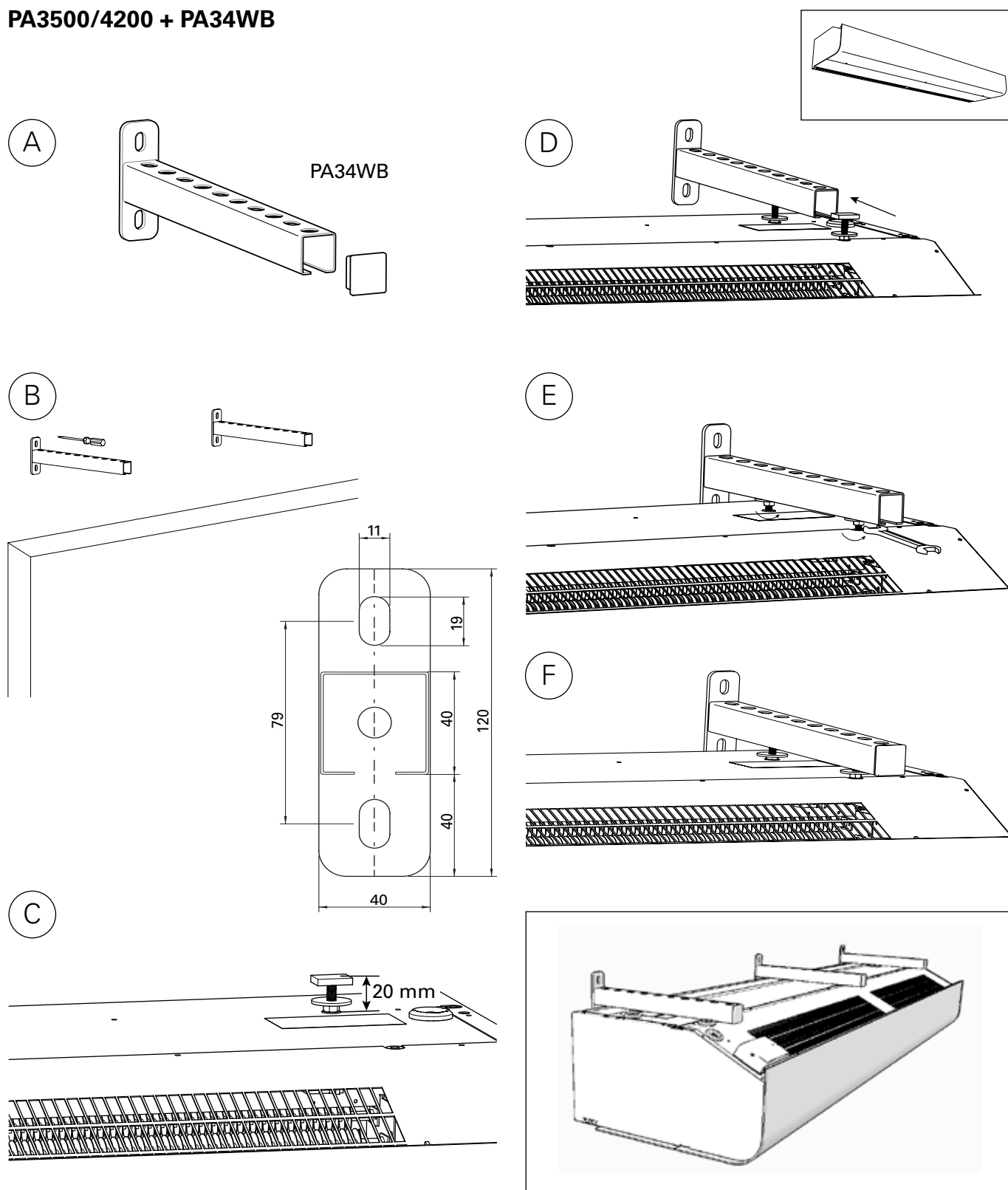


Fig. 6: See separate manual for PA34WB.

Type		Quantity included	Length	Fig.	E-nr (SE)	RSK-nr (SE)	EL-nr (NO)
PA34WB15	PA3510/15, PA4210/15	2 pcs	400 mm	Fig. 6	87 505 68	673 91 18	49 320 82
PA34WB20	PA3520, PA4220	3 pcs	400 mm	Fig. 6	87 505 69	673 91 19	49 320 83
PA34WB30	PA3525, PA4225	4 pcs	400 mm	Fig. 6	87 505 70	673 91 20	49 320 84

## Accessories

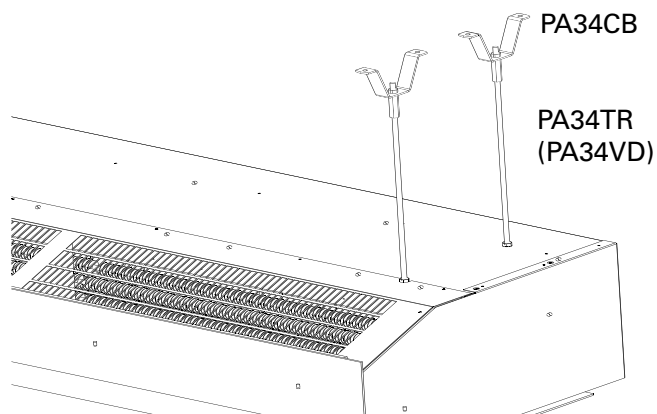


Fig. 7: PA34TR + PA34CB + PA34VD.  
See separate manual for PA34TR.

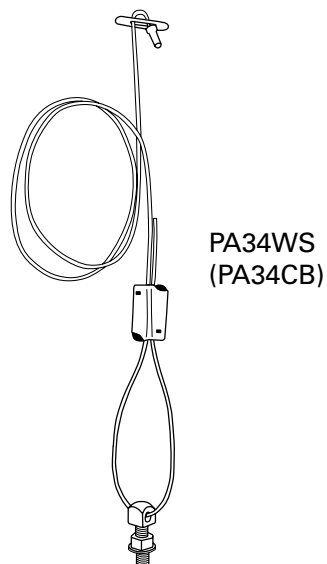
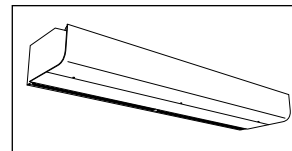


Fig.8: PA34WS + PA34CB  
See separate manual for PA34WS.



Type		Quantity included	Length	E-nr (SE)	RSK-nr (SE)	EL-nr (NO)
PA34CB15	PA3510/15, PA4210/15	4 pcs		87 505 71	673 91 21	49 320 59
PA34CB20	PA3520, PA4220	6 pcs		87 505 72	673 91 22	49 320 60
PA34CB30	PA3525, PA4225	8 pcs		87 505 73	673 91 23	49 320 61
PA34WS15	PA3510/15, PA4210/15	4 pcs	3 m	87 505 37	673 90 97	49 322 05
PA34WS20	PA3520, PA4220	6 pcs	3 m	87 505 38	673 90 98	49 322 06
PA34WS30	PA3525, PA4225	8 pcs	3 m	87 505 39	673 90 99	49 322 07
PA34TR15	PA3510/15, PA4210/15	4 pcs	1 m	87 505 32	673 90 94	
PA34TR20	PA3520, PA4220	6 pcs	1 m	87 505 34	673 90 95	
PA34TR30	PA3525, PA4225	8 pcs	1 m	87 505 35	673 90 96	
PA34VD15	PA3510/15, PA4210/15	4 pcs		87 505 74	673 91 24	
PA34VD20	PA3520, PA4220	6 pcs		87 505 75	673 91 25	49 320 96
PA34VD30	PA3525, PA4225	8 pcs		87 505 76	673 91 26	49 320 97

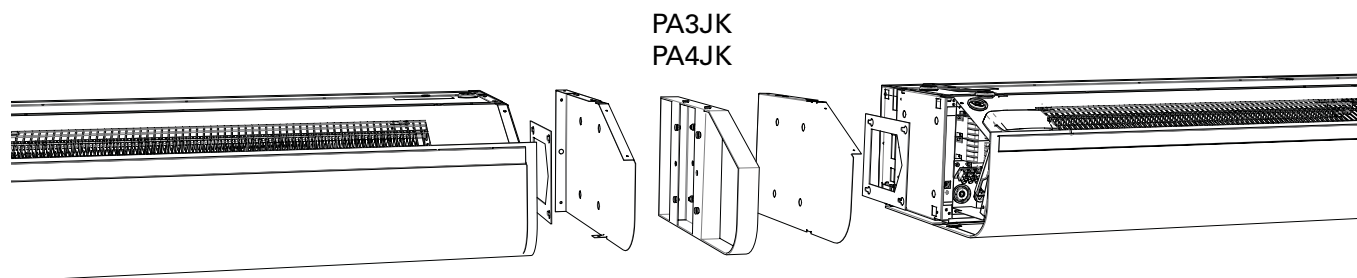


Fig. 9: See separate manual for PA3JK / PA4JK.

Type		E-nr (SE)	RSK-nr (SE)	EL-nr (NO)
PA3JK	PA3500	87 515 22	673 11 96	54 300 07
PA4JK	PA4200	87 515 23	673 11 97	54 300 08



## Accessories

Type		Length	E-nr (SE)	RSK-nr (SE)
<b>PA3XT10</b>	PA3510	130-200 mm	87 505 42	673 91 00
<b>PA3XT15</b>	PA3515	130-200 mm	87 505 43	673 91 01
<b>PA3XT20</b>	PA3520	130-200 mm	87 505 44	673 91 02
<b>PA3XT25</b>	PA3525	130-200 mm	87 505 45	673 91 03
<b>PA4XT10</b>	PA4210	130-200 mm	87 505 46	673 91 04
<b>PA4XT15</b>	PA4215	130-200 mm	87 505 47	673 91 05
<b>PA4XT20</b>	PA4220	130-200 mm	87 505 48	673 91 06
<b>PA4XT25</b>	PA4225	130-200 mm	87 505 49	673 91 07

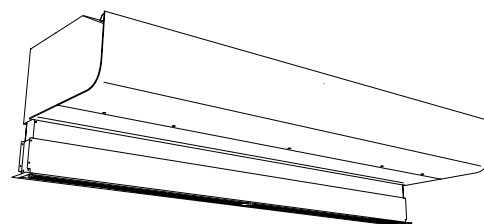
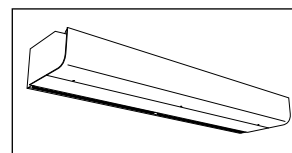
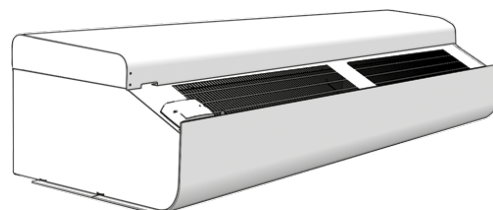


Fig. 10: See separate manual for PA3XT / PA4XT.

Type		Dimensions	E-nr (SE)	RSK-nr (SE)
<b>PA3DW10</b>	PA3510	87x382x1006 mm	87 505 77	673 91 27
<b>PA3DW15</b>	PA3515	87x382x1516 mm	87 505 78	673 91 28
<b>PA3DW20</b>	PA3520	87x382x2006 mm	87 505 79	673 91 29
<b>PA3DW25</b>	PA3525	87x382x2516 mm	87 505 80	673 91 30
<b>PA4DW10</b>	PA4210	87x424x1006 mm	87 505 81	673 91 31
<b>PA4DW15</b>	PA425	87x424x1516 mm	87 505 82	673 91 32
<b>PA4DW20</b>	PA4220	87x424x2006 mm	87 505 83	673 91 33
<b>PA4DW25</b>	PA4225	87x424x2516 mm	87 505 84	673 91 34

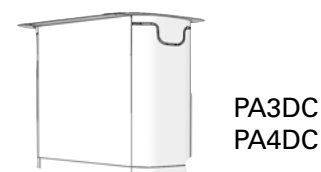


PA3DW  
PA4DW

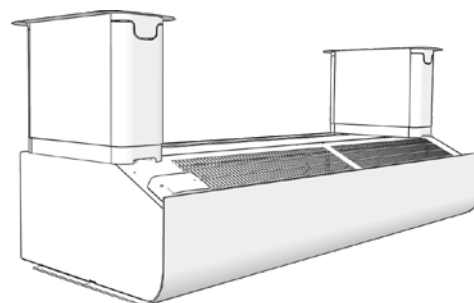


See separate manual for PA3DW/  
PA4DW.

Type		Length	E-nr (SE)	RSK-nr (SE)
<b>PA3DCS</b>	PA3500	200-300 mm	87 505 60	673 91 08
<b>PA3DCM</b>	PA3500	300-500 mm	87 505 61	673 91 09
<b>PA3DCL</b>	PA3500	500-900 mm	87 505 62	673 91 10
<b>PA3DXT</b>	PA3500	420 mm	87 505 63	673 91 11
<b>PA4DCS</b>	PA4200	200-300 mm	87 505 64	673 91 12
<b>PA4DCM</b>	PA4200	300-500 mm	87 505 65	673 91 13
<b>PA4DCL</b>	PA4200	500-900 mm	87 505 66	673 91 14
<b>PA4DXT</b>	PA4200	420 mm	87 505 67	673 91 15



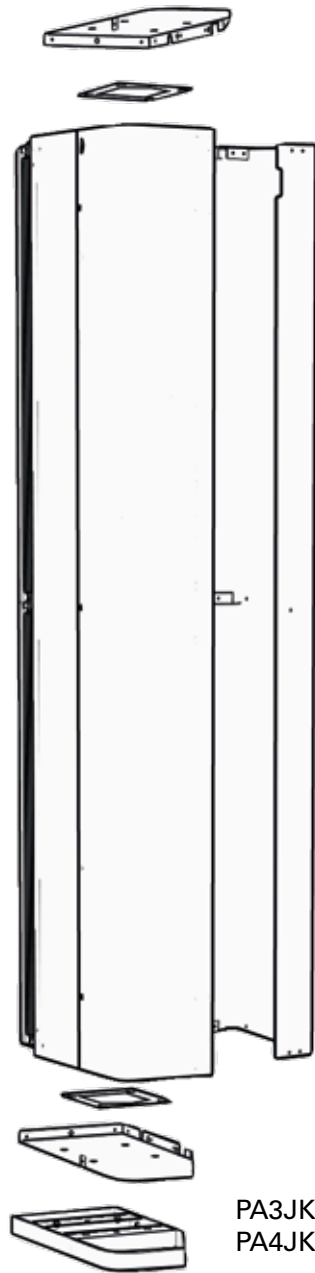
PA3DC  
PA4DC



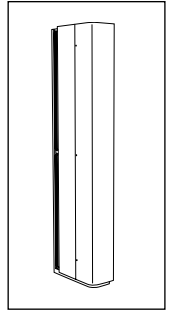
See separate manual for PA3DC /  
PA4DC.

PA3510, PA4210: 2 pcs  
 PA3515, PA4215: 2 pcs  
 PA3520, PA4220: 3 pcs  
 PA3525, PA4225: 4 pcs

# Accessories



**Note! The air curtain must be secured in the wall or ceiling.**

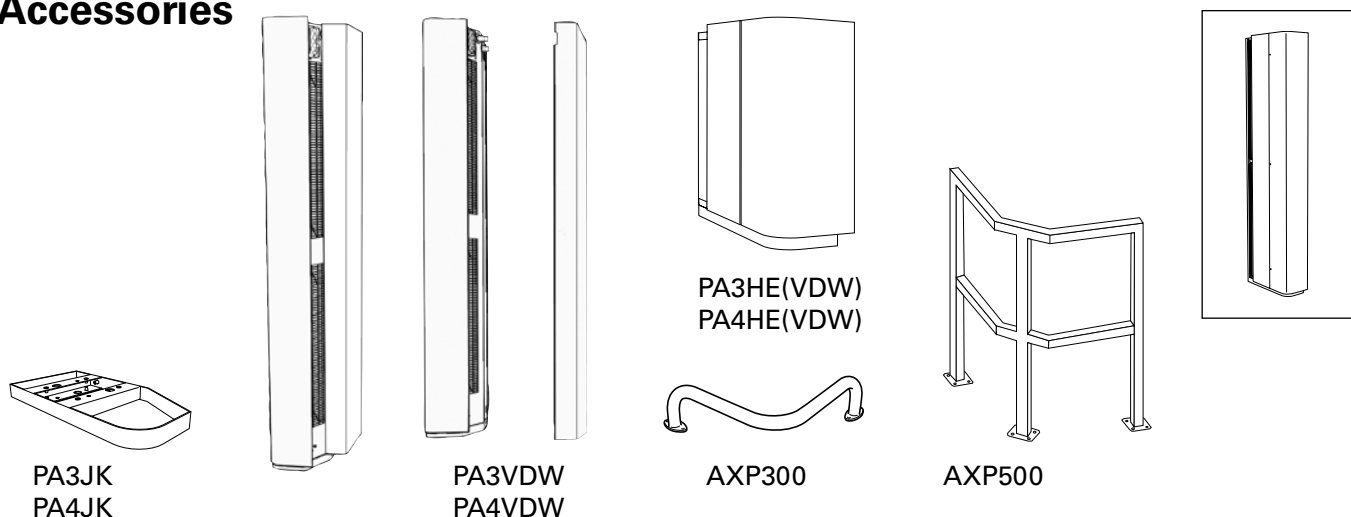


PA3VDW  
PA4VDW

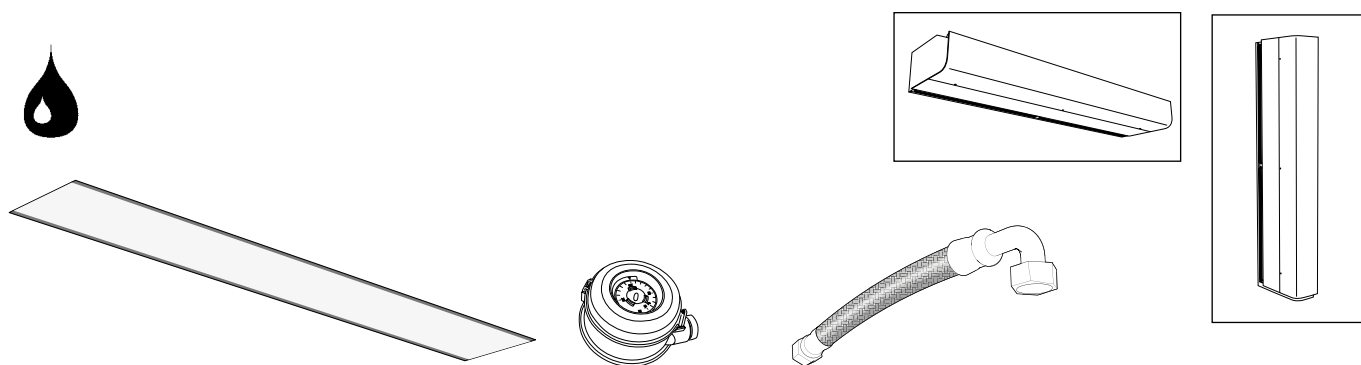
PA3JK  
PA4JK

Fig. 11: See separate manual for PA3JK / PA4JK.

## Accessories



Type		E-nr (SE)	RSK-nr (SE)	EL-nr (NO)	NRF-nr (NO)
PA3JK	PA3500	87 515 22	673 11 96	54 300 07	85 023 71
PA4JK	PA4200	87 515 23	673 11 97	54 300 08	85 023 72
PA3VDW15	PA3515	87 515 16	673 20 83	54 300 01	
PA3VDW20	PA3520	87 515 17	673 20 84	54 300 02	
PA3VDW25	PA3525	87 515 18	673 20 85	54 300 03	
PA4VDW15	PA4215	87 515 19	673 20 86	54 300 04	
PA4VDW20	PA4220	87 515 20	673 20 87	54 300 05	
PA4VDW25	PA4225	87 515 21	673 20 88	54 300 05	
PA3HE	PA3500				
PA4HE	PA4200				
PA3HEVDW	PA3500				
PA4HEVDW	PA4200				
AXP300	PA3500/4200	87 514 87	672 69 77		
AXP500	PA4200				



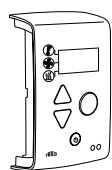
See separate manual for PA34EF.

DTV200S

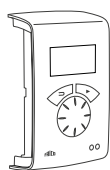
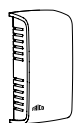
See separate manual for FHDN20.

Type		Length	RSK-nr (SE)
PA34EF10	PA3510W, PA4210W		673 20 95
PA34EF15	PA3515W, PA425W		673 20 96
PA34EF20	PA3520W, PA4220W		673 20 97
PA34EF25	PA3525W, PA4225W		673 20 98
DTV200S	PA3500/4200W		673 91 16
FHDN20	PA3500/4200W	350 mm	673 91 17
FHDN2010	PA3500/4200W	1000 mm	670 45 65

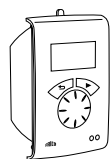
## Accessories



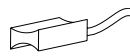
SIReBN

SIReACY  
SIReAAY

SIReRTX



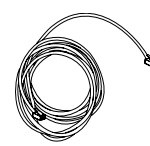
SIReUR



SIReWTA



SIReCJ4/SIReCJ6



SIReCC

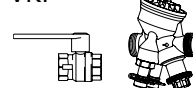
Type	E-nr (SE)	RSK-nr (SE)	EL-nr (NO)	NRF-nr (NO)	Dimensions	Length
SIReBN	87 506 57	673 19 43	54 090 04	85 025 82		
SIReACY	87 506 61	673 21 00	54 090 08	85 025 85		
SIReAAY	87 506 62	673 24 06	54 090 09	85 025 86		
SIReRTX	87 510 12	673 09 22	54 910 01	85 022 94	70x33x23 mm	
SIReUR	87 510 11	673 09 21	49 325 00	85 022 93	114x70x50 mm	
SIReWTA		673 09 69				
SIReCJ4	87 510 33	673 09 70	54 910 02			
SIReCJ6	87 510 34	673 09 71		85 025 24		
SIReCC603	87 510 13	673 09 23	54 329 01	85 022 95		3 m
SIReCC605	87 510 14	673 09 24	54 329 02	85 022 96		5 m
SIReCC610	87 510 15	673 09 25	54 329 03	85 022 97		10 m
SIReCC615	87 510 16	673 09 26	54 329 04	85 022 98		15 m
SIReCC640	87 510 45	673 18 79				40 m
SIReCC403	87 510 17	673 09 27	54 329 05	85 022 99		3 m
SIReCC405	87 510 18	673 09 28	54 329 06	85 023 01		5 m
SIReCC410	87 510 19	673 09 29	54 329 07	85 023 02		10 m
SIReCC415	87 510 20	673 09 30	54 329 08	85 023 03		15 m



Type	RSK-nr (SE)	NRF-nr (NO)	Connection
VLSP15LF	670 45 35		DN15
VLSP15NF	670 45 36	85 026 36	DN15
VLSP20	670 45 37	85 026 37	DN20
VLSP25	670 45 38	85 026 38	DN25
VLSP32	670 45 39	85 026 39	DN32
VLP15LF	670 45 30	67 309 47	DN15
VLP15NF	670 45 31	85 026 31	DN15
VLP20	670 45 32	85 026 32	DN20
VLP25	670 45 33	85 026 33	DN25
VLP32	670 45 34	85 026 34	DN32
VOT15	673 61 93	85 024 05	DN15
VOT20	673 61 94	85 024 06	DN20
VOT25	673 61 95	85 024 07	DN25
VMT15			DN15
VMT20			DN20
VMT25			DN25

## VLSP

VKF



SD230



BPV10

## VLP

VKF



SDM24



ST23024

## VOT



TRVS



SD230

## VMT



TRVS

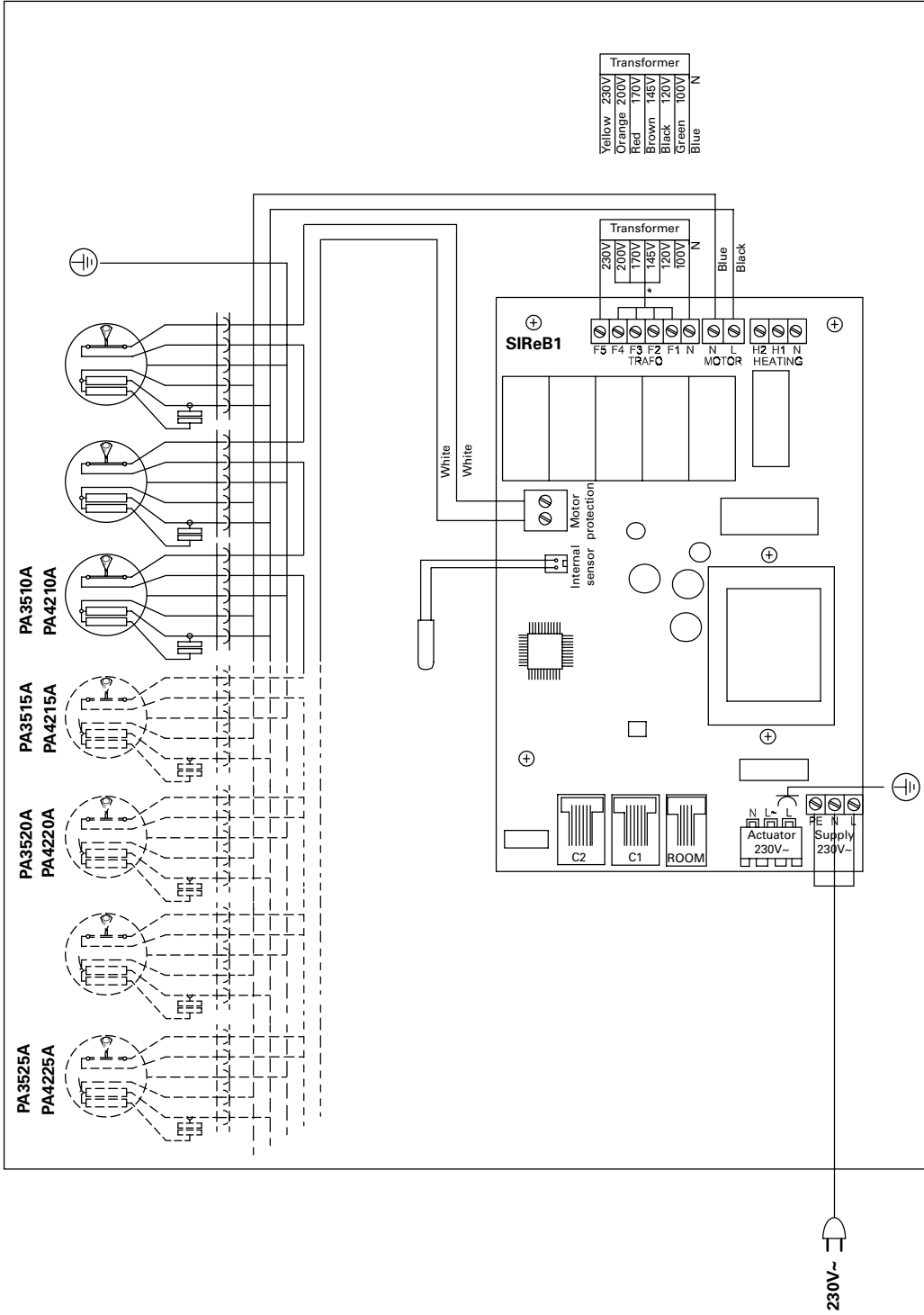


SDM24

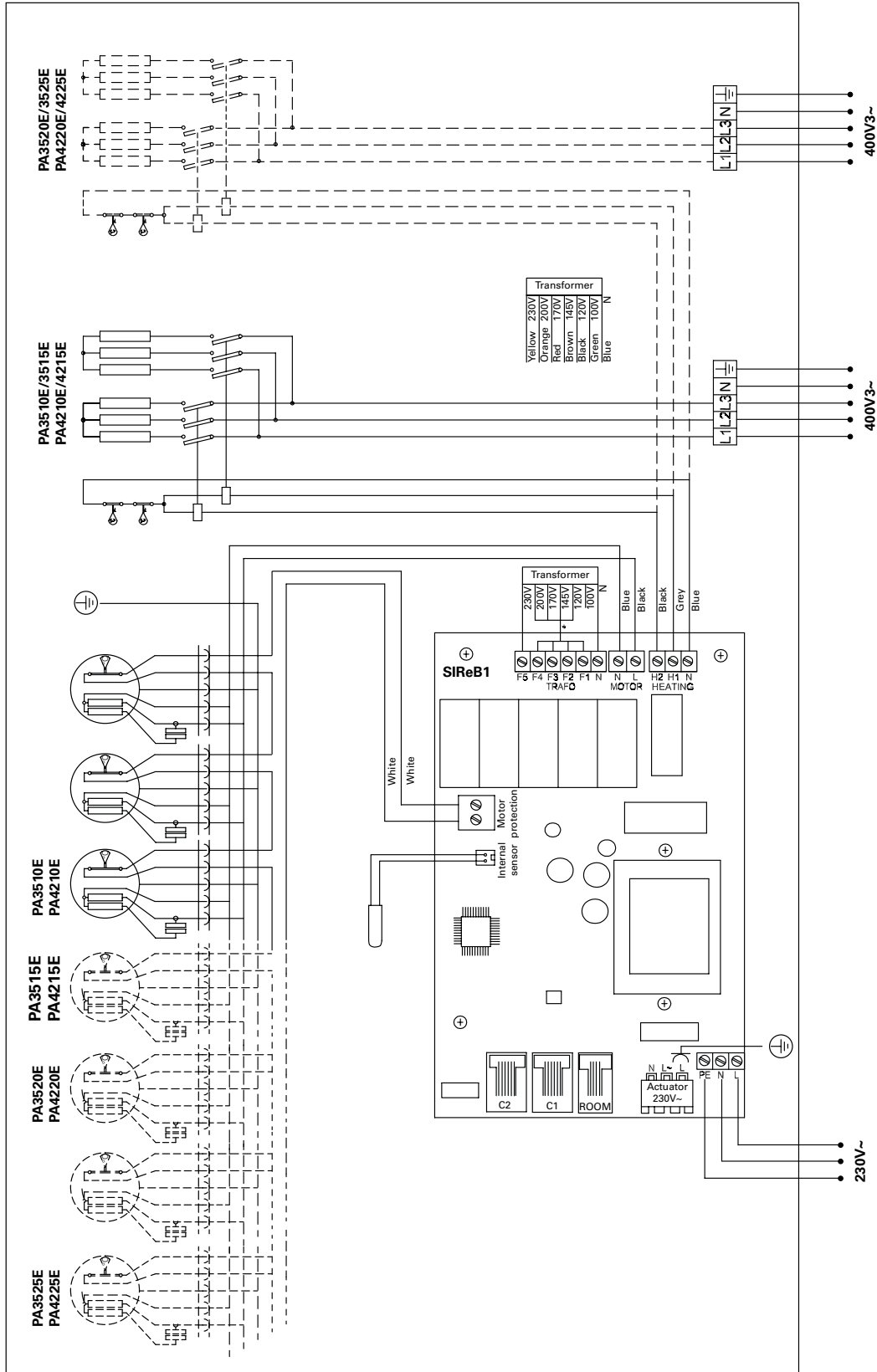


ST23024

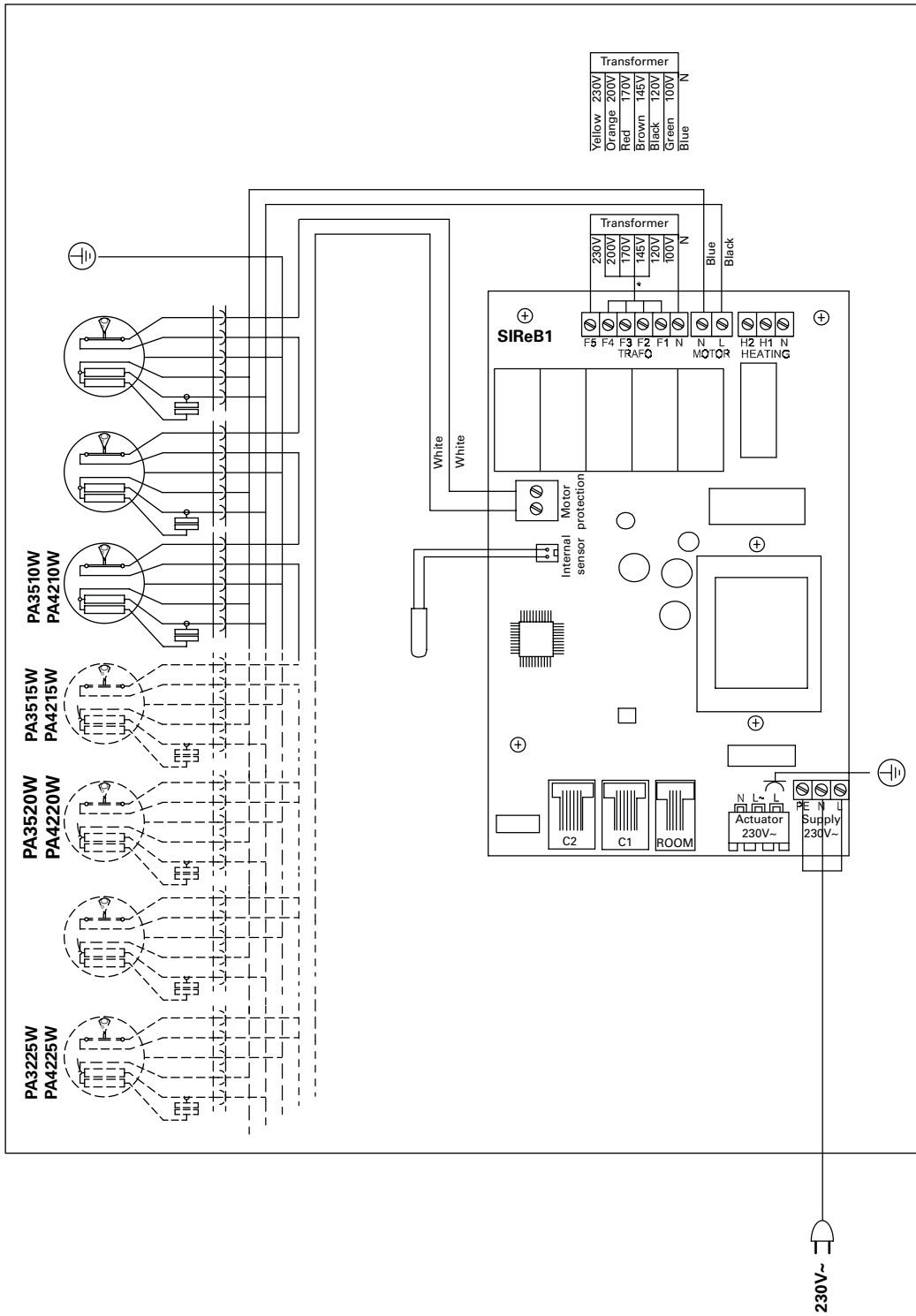
PA3500 A  
PA4200 A



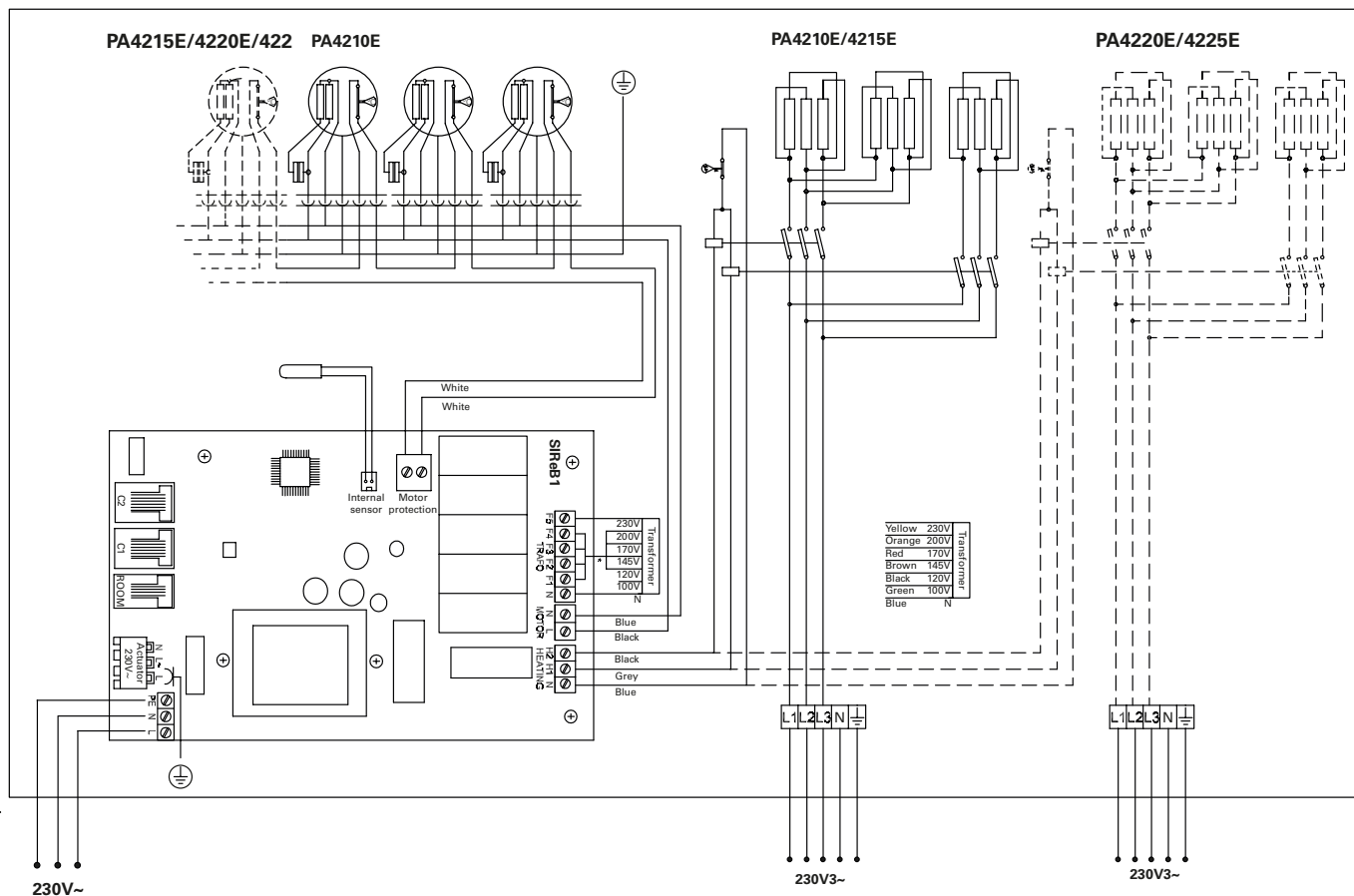
PA3500 E  
PA4200 E



PA3500 W  
PA4200 W



**PA3500 E 230V3~**  
**PA4200 E 230V3~**



Type	Output step [kW]	Airflow*1 [m³/h]	Δt*3 [°C]	Sound level*2 [dB(A)]	Motor [W]	Voltage motor [V]	Amp. motor [A]	Voltage [V] Amperage [A] (heat)	Length [mm]	Weight [kg]
PA3510E08D	2,7/5,4/8,1	900/2000	27/12	41/61	580	230V~	2,6	230V3~/20,3	1039	44
PA3515E12D	3,9/7,8/12	1400/3100	26/12	42/62	880	230V~	3,9	230V3~/29,3	1549	63
PA3520E16D	5,4/11/16	1750/4000	28/12	43/63	1130	230V~	5,0	230V3~/40,5	2039	80
PA3525E20D	6,6/13/20	2400/5250	25/11,5	44/64	1500	230V~	6,5	230V3~/49,5	2549	104

Type	Output step [kW]	Airflow*1 [m³/h]	Δt*3 [°C]	Sound level*2 [dB(A)]	Motor [W]	Voltage motor [V]	Amp. motor [A]	Voltage [V] Amperage [A] (heat)	Length [mm]	Weight [kg]
PA4210E12D	3,9/7,8/12	950/2400	38/15	46/66	920	230V~	4,0	230V3~/30	1039	50
PA4215E18D	6,0/12/18	1300/3500	42/16	47/67	1260	230V~	5,5	230V3~/45	1549	71
PA4220E24D	7,8/15/23	1900/4800	37/14	48/68	1840	230V~	8,0	230V3~/60	2039	94
PA4225E30D	9,9/20/30	2300/5900	39/15	49/69	2140	230V~	9,3	230V3~/75	2549	113

\*1) Lowest/highest airflow of totally 5 fan steps.

\*2) Conditions: Distance to the unit 5 metres. Directional factor: 2. Equivalent absorption area: 200 m².

\*3) Δt = temperature rise of passing air at maximum heat output and lowest/highest airflow.

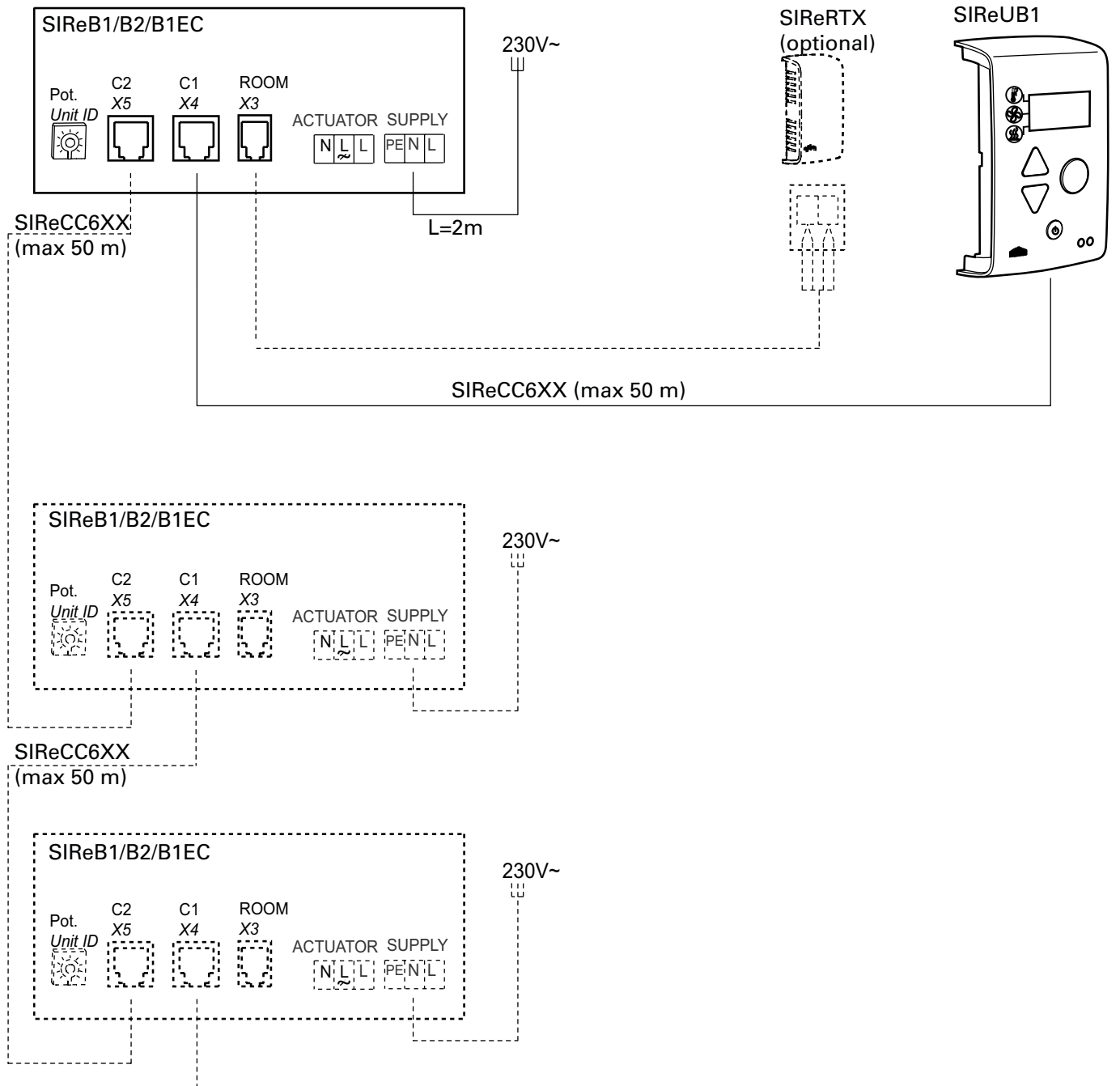
Protection class for units with electrical heating: IP20.

CE compliant.



**SIReB Basic**

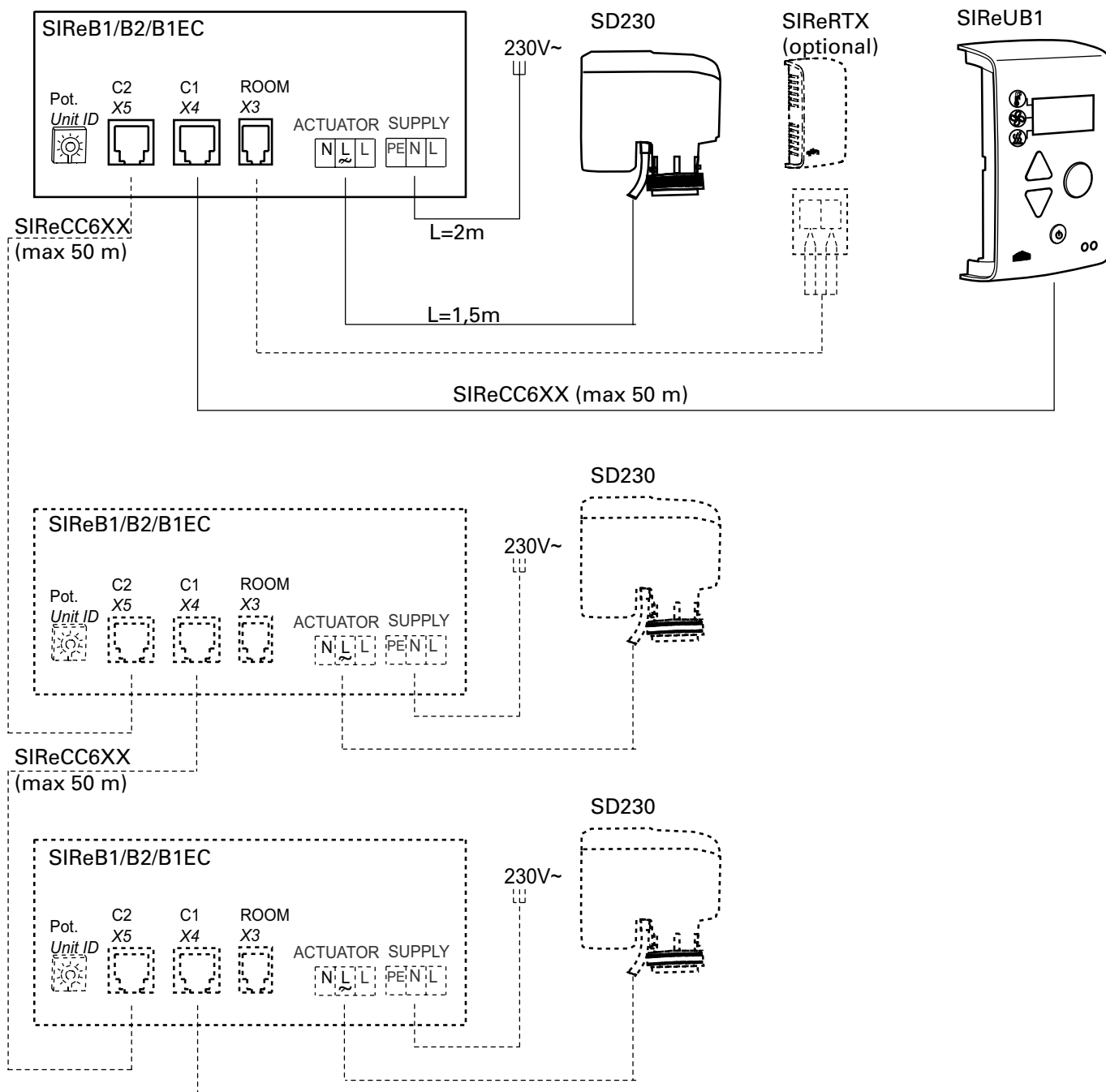
**PA3500/4200 A**  
**PA3500/4200 E**



Wiring diagrams for SIReAC Competent, see manual for SIRe.

**SIReB Basic**

**PA3500/4200 W**



**Wiring diagrams for SIReAC Competent and SIReAA Advanced, see manuals for SIRe.**

## Technical specifications PA3500

Voltage motor: 230V~

### ✦ Ambient, no heat - PA3500 A

Type	Output [kW]	Airflow* <sup>1</sup> [m <sup>3</sup> /h]	Sound power* <sup>2</sup> [dB(A)]	Sound pressure* <sup>3</sup> [dB(A)]	Motor [W]	Voltage motor [V]	Amperage motor [A]	Length [mm]	Weight [kg]
PA3510A	0	900/2000	78	41/61	580	230V~	2,6	1039	36
PA3515A	0	1400/3100	79	42/62	880	230V~	3,9	1549	50
PA3520A	0	1750/4000	79	43/63	1130	230V~	5,0	2039	65
PA3525A	0	2400/5250	80	44/64	1500	230V~	6,5	2549	79

### ℓ Electrical heat - PA3500 E

Type	Output step [kW]	Airflow* <sup>1</sup> [m <sup>3</sup> /h]	$\Delta t$ * <sup>4</sup> [°C]	Sound power* <sup>2</sup> [dB(A)]	Sound pressure* <sup>3</sup> [dB(A)]	Motor [W]	Amperage motor [A]	Voltage [V] Amperage [A] (heat)	Length [mm]	Weight [kg]
PA3510E08	2,7/5,4/8,1	900/2000	27/12	78	41/61	580	2,6	400V3~/11,7	1039	44
PA3515E12	3,9/7,8/12	1400/3100	26/12	79	42/62	880	3,9	400V3~/16,9	1549	63
PA3520E16	5,4/11/16	1750/4000	28/12	80	43/63	1130	5,0	400V3~/23,4	2039	80
PA3525E20	6,6/13/20	2400/5250	25/11,5	81	44/64	1500	6,5	400V3~/28,6	2549	104

### ♠ Water heat - PA3500 WL

Type	Output* <sup>5</sup> [kW]	Airflow* <sup>1</sup> [m <sup>3</sup> /h]	$\Delta t$ * <sup>4,5</sup> [°C]	Water volume [l]	Sound power* <sup>2</sup> [dB(A)]	Sound pressure* <sup>3</sup> [dB(A)]	Motor [W]	Amperage motor [A]	Length [mm]	Weight [kg]
PA3510WL	12	950/1900	23/19	1,5	76	43/60	540	2,35	1039	43
PA3515WL	19	1350/2900	25/20	2,4	77	44/61	770	3,4	1549	60
PA3520WL	26	1800/3900	25/20	3,3	78	45/62	970	4,3	2039	75
PA3525WL	35	2300/5100	25/20	4,2	79	46/63	1310	5,7	2549	95

### ♠ Water heat - PA3500 WH

Type	Output* <sup>6</sup> [kW]	Airflow* <sup>1</sup> [m <sup>3</sup> /h]	$\Delta t$ * <sup>4,6</sup> [°C]	Water volume [l]	Sound power* <sup>2</sup> [dB(A)]	Sound pressure* <sup>3</sup> [dB(A)]	Motor [W]	Amperage motor [A]	Length [mm]	Weight [kg]
PA3510WH	10	950/1900	21/16	1,0	76	43/60	540	2,35	1039	42
PA3515WH	16	1350/2900	22/17	1,6	77	44/61	770	3,4	1549	58
PA3520WH	23	1800/3900	23/17	2,2	78	45/62	970	4,3	2039	73
PA3525WH	29	2300/5100	23/17	2,9	79	46/63	1310	5,7	2549	92

### ♠ Water heat - PA3500 WLL

Type	Output* <sup>7</sup> [kW]	Airflow* <sup>1</sup> [m <sup>3</sup> /h]	$\Delta t$ * <sup>4,7</sup> [°C]	Water volume [l]	Sound power* <sup>2</sup> [dB(A)]	Sound pressure* <sup>3</sup> [dB(A)]	Motor [W]	Amperage motor [A]	Length [mm]	Weight [kg]
PA3510WLL	7,6	900/1850	14/12	2,0	75	43/60	460	2,0	1039	44
PA3515WLL	11	1300/2750	14/12	4,1	76	44/61	740	3,25	1549	63
PA3520WLL	16	1700/3700	15/13	5,6	77	45/62	920	4,0	2039	78
PA3525WLL	21	2250/4900	15/13	8,3	78	46/63	1280	5,6	2549	100

\*1) Lowest/highest airflow of totally 5 fan steps.

\*2) Sound power ( $L_{WA}$ ) measurements according to ISO 27327-2: 2014, Installation type E.

\*3) Sound pressure ( $L_{pA}$ ). Conditions: Distance to the unit 5 metres. Directional factor: 2. Equivalent absorption area: 200 m<sup>2</sup>. At lowest/highest airflow.

\*4)  $\Delta t$  = temperature rise of passing air at maximum heat output and lowest/highest airflow.

\*5) Applicable at water temperature 60/40 °C, air temperature, in +18 °C.

\*6) Applicable at water temperature 80/60 °C, air temperature, in +18 °C.

\*7) Applicable at water temperature 40/30 °C, air temperature, in +18 °C.

Protection class for units with electrical heating: IP20.

Protection class for units without heating and units with water heating: IP21.

CE compliant.

## Technical specifications PA4200

Voltage motor: 230V~

### ✦ Ambient, no heat - PA4200 A

Type	Output [kW]	Airflow* <sup>1</sup> [m <sup>3</sup> /h]	Sound power* <sup>2</sup> [dB(A)]	Sound pressure* <sup>3</sup> [dB(A)]	Motor [W]	Voltage motor [V]	Amperage motor [A]	Length [mm]	Weight [kg]
PA4210A	0	950/2400	82	46/66	920	230V~	4,0	1039	43
PA4215A	0	1300/3500	83	47/67	1260	230V~	5,5	1549	56
PA4220A	0	1900/4800	84	48/68	1840	230V~	8,0	2039	75
PA4225A	0	2300/5900	85	49/69	2140	230V~	9,3	2549	91

### ⚡ Electrical heat - PA4200 E

Type	Output step [kW]	Airflow* <sup>1</sup> [m <sup>3</sup> /h]	$\Delta t$ * <sup>4</sup> [°C]	Sound power* <sup>2</sup> [dB(A)]	Sound pressure* <sup>3</sup> [dB(A)]	Motor [W]	Amperage motor [A]	Voltage [V] Amperage [A] (heat)	Length [mm]	Weight [kg]
PA4210E12	3,9/7,8/12	950/2400	38/15	82	46/66	920	4,0	400V3~/16,9	1039	50
PA4215E18	6,0/12/18	1300/3500	42/16	83	47/67	1260	5,5	400V3~/26,0	1549	71
PA4220E24	7,8/15/23	1900/4800	37/14	84	48/68	1840	8,0	400V3~/33,8	2039	94
PA4225E30	9,9/20/30	2300/5900	39/15	85	49/69	2140	9,3	400V3~/42,9	2549	113

### 💧 Water heat - PA4200 WL

Type	Output* <sup>5</sup> [kW]	Airflow* <sup>1</sup> [m <sup>3</sup> /h]	$\Delta t$ * <sup>4,5</sup> [°C]	Water volume [l]	Sound power* <sup>2</sup> [dB(A)]	Sound pressure* <sup>3</sup> [dB(A)]	Motor [W]	Amperage motor [A]	Length [mm]	Weight [kg]
PA4210WL	16	1050/2600	25/18	1,9	80	44/64	920	4,0	1039	50
PA4215WL	25	1600/3800	25/19	3,0	81	45/65	1330	5,8	1549	67
PA4220WL	35	2200/5300	25/19	4,1	82	46/66	1930	8,4	2039	90
PA4225WL	44	2800/6400	26/20	5,2	83	47/67	2280	9,9	2549	109

### 💧 Water heat - PA4200 WH

Type	Output* <sup>6</sup> [kW]	Airflow* <sup>1</sup> [m <sup>3</sup> /h]	$\Delta t$ * <sup>4,6</sup> [°C]	Water volume [l]	Sound power* <sup>2</sup> [dB(A)]	Sound pressure* <sup>3</sup> [dB(A)]	Motor [W]	Amperage motor [A]	Length [mm]	Weight [kg]
PA4210WH	14	1050/2600	22/16	1,3	80	44/64	920	4,0	1039	49
PA4215WH	21	1600/3800	22/16	2,0	81	45/65	1330	5,8	1549	65
PA4220WH	30	2200/5300	23/17	2,7	82	46/66	1930	8,4	2039	87
PA4225WH	36	2800/6400	22/16	3,8	83	47/67	2280	9,9	2549	105

### 💧 Water heat - PA4200 WLL

Type	Output* <sup>7</sup> [kW]	Airflow* <sup>1</sup> [m <sup>3</sup> /h]	$\Delta t$ * <sup>4,7</sup> [°C]	Water volume [l]	Sound power* <sup>2</sup> [dB(A)]	Sound pressure* <sup>3</sup> [dB(A)]	Motor [W]	Amperage motor [A]	Length [mm]	Weight [kg]
PA4210WLL	10	1000/2500	15/12	2,5	80	44/64	920	4,0	1039	52
PA4215WLL	15	1500/3600	15/13	4,7	81	45/65	1330	5,8	1549	70
PA4220WLL	21	2100/5200	15/12	7,5	82	46/66	1930	8,4	2039	95
PA4225WLL	26	2700/6200	15/12	9,6	83	47/67	2280	9,9	2549	115

\*<sup>1</sup>) Lowest/highest airflow of totally 5 fan steps.

\*<sup>2</sup>) Sound power ( $L_{WA}$ ) measurements according to ISO 27327-2: 2014, Installation type E.

\*<sup>3</sup>) Sound pressure ( $L_{pA}$ ). Conditions: Distance to the unit 5 metres. Directional factor: 2. Equivalent absorption area: 200 m<sup>2</sup>. At lowest/highest airflow.

\*<sup>4</sup>)  $\Delta t$  = temperature rise of passing air at maximum heat output and lowest/highest airflow.

\*<sup>5</sup>) Applicable at water temperature 60/40 °C, air temperature, in +18 °C.

\*<sup>6</sup>) Applicable at water temperature 80/60 °C, air temperature, in +18 °C.

\*<sup>7</sup>) Applicable at water temperature 40/30 °C, air temperature, in +18 °C.

Protection class for units with electrical heating: IP20.

Protection class for units without heating and units with water heating: IP21.

CE compliant.

## Output charts water PA3500 WH

			Supply water temperature: 110 °C Room temperature: +18 °C Outlet air temperature: +35 °C*1				Water temperature: 110/80 °C Room temperature: +18 °C			
Type	Fan position	Airflow [m³/h]	Output [kW]	Return water temp. [°C]	Water flow [l/s]	Pressure drop [kPA]	Output*2 [kW]	Outlet air temp. [°C]	Water flow [l/s]	Pressure drop [kPA]
PA3510WH	max	1900	11,1	53	0,05	1,9	15,8	42,4	0,13	10,8
	min	950	5,6	42	0,02	0,4	10,3	49,8	0,085	5
PA3515WH	max	2900	16,8	53	0,07	1	24,6	42,9	0,02	6,4
	min	1350	8	43	0,03	0,2	15,3	51,2	0,13	2,7
PA3520WH	max	3900	23	50	0,09	2	34,1	43,6	0,3	14
	min	1800	10,4	37	0,03	0,4	21	52,2	0,2	5,8
PA3525WH	max	5100	29,1	50	0,12	1,2	43,9	43,2	0,36	8,6
	min	2300	13,7	40	0,05	0,3	26,7	52	0,22	3,5
			Supply water temperature: 90 °C Room temperature: +18 °C Outlet air temperature: +35 °C*1				Water temperature: 90/70 °C Room temperature: +18 °C			
Type	Fan position	Airflow [m³/h]	Output [kW]	Return water temp. [°C]	Water flow [l/s]	Pressure drop [kPA]	Output*2 [kW]	Outlet air temp. [°C]	Water flow [l/s]	Pressure drop [kPA]
PA3510WH	max	1900	11,0	58	0,09	5,3	12,9	37,9	0,16	15,9
	min	950	5,5	45	0,03	0,9	8,4	43,8	0,1	7,3
PA3515WH	max	2900	16,9	58	0,13	3,1	20	38,2	0,25	9,4
	min	1350	7,9	45	0,04	0,4	12,4	44,9	0,15	4
PA3520WH	max	3900	22	54	0,15	4,8	27,7	38,8	0,34	20,6
	min	1800	10,2	41	0,05	0,7	17	45,7	0,21	8,5
PA3525WH	max	5100	30,3	58	0,24	4,2	35,7	38,5	0,44	12,6
	min	2300	13,4	43	0,07	0,5	21,6	45,6	0,27	5,1
			Supply water temperature: 80 °C Room temperature: +18 °C Outlet air temperature: +35 °C*1				Water temperature: 80/60 °C Room temperature: +18 °C			
Type	Fan position	Airflow [m³/h]	Output [kW]	Return water temp. [°C]	Water flow [l/s]	Pressure drop [kPA]	Output*2 [kW]	Outlet air temp. [°C]	Water flow [l/s]	Pressure drop [kPA]
PA3510WH	max	1900	10,8	61	0,14	13,3	10,6	34,3	0,13	11,4
	min	950	5,5	48	0,04	1,6	6,9	39,2	0,08	5,3
PA3515WH	max	2900	16,7	61	0,22	7,8	16,4	34,6	0,2	6,7
	min	1350	7,6	46	0,05	0,7	10,2	40,1	0,12	2,8
PA3520WH	max	3900	23,2	61	0,3	17,1	22,8	35,1	0,28	14,7
	min	1800	10,4	44	0,07	1,3	10,4	40,8	0,17	6,1
PA3525WH	max	5100	29,9	61	0,39	10,5	29,3	34,8	0,36	9
	min	2300	13,6	46	0,1	0,9	17,8	40,7	0,22	3,7
			Supply water temperature: 82 °C Room temperature: +18 °C Outlet air temperature: +35 °C*1				Water temperature: 82/71 °C Room temperature: +18 °C			
Type	Fan position	Airflow [m³/h]	Output [kW]	Return water temp. [°C]	Water flow [l/s]	Pressure drop [kPA]	Output*2 [kW]	Outlet air temp. [°C]	Water flow [l/s]	Pressure drop [kPA]
PA3510WH	max	1900	11,0	62,0	0,14	12,3	12,5	37,3	0,28	44,9
	min	950	5,4	46	0,04	1,2	8,1	43	0,18	20,5
PA3515WH	max	2900	17,1	62	0,21	7,2	19,5	37,7	0,43	27,1
	min	1350	7,7	46	0,05	0,6	12,1	44,2	0,27	11,2
PA3520WH	max	3900	22,4	58	0,23	10,3	26,8	38,2	0,6	58,5
	min	1800	10,6	44	0,07	1,2	16,5	44,8	0,37	23,9
PA3525WH	max	5100	28,7	58	0,3	6,3	34,6	37,9	0,78	35,9
	min	2300	13,1	44	0,08	0,7	21	44,7	0,47	14,3

\*1) Recommended outlet air temperature for good comfort and optimized output.

\*2) Nominal output at given supply and return water temperature.

See [www.frico.se](http://www.frico.se) for additional calculations.

## Output charts water PA3500 WL

			Supply water temperature: 80 °C Room temperature: +18 °C Outlet air temperature: +35 °C*1				Water temperature: 80/60 °C Room temperature: +18 °C			
Type	Fan position	Airflow [m³/h]	Output [kW]	Return water temp. [°C]	Water flow [l/s]	Pressure drop [kPA]	Output*2 [kW]	Outlet air temp. [°C]	Water flow [l/s]	Pressure drop [kPA]
PA3510WL	max	1900	11,3	33	0,06	1,5	21,1	50,6	0,26	20,4
	min	950	5,6	29	0,03	0,4	13	58,2	0,16	8,5
PA3515WL	max	2900	16,9	30	0,08	1,9	33,5	51,9	0,4	32,8
	min	1350	8	27	0,04	0,5	19,4	60,2	0,24	12,2
PA3520WL	max	3900	23,2	31	0,11	1,4	45,3	52	0,55	22,8
	min	1800	10,6	28	0,05	0,3	26	60,3	0,32	8,4
PA3525WL	max	5100	30	29	0,14	2,5	59,7	52,3	0,73	45
	min	2300	13,2	25	0,06	0,5	33,7	60,9	0,41	15,9

			Supply water temperature: 70 °C Room temperature: +18 °C Outlet air temperature: +35 °C*1				Water temperature: 70/50 °C Room temperature: +18 °C			
Type	Fan position	Airflow [m³/h]	Output [kW]	Return water temp. [°C]	Water flow [l/s]	Pressure drop [kPA]	Output*2 [kW]	Outlet air temp. [°C]	Water flow [l/s]	Pressure drop [kPA]
PA3510WL	max	1900	11,3	35	0,08	2,5	16,7	43,7	0,2	13,6
	min	950	5,5	30	0,03	0,6	10,3	49,8	0,13	5,8
PA3515WL	max	2900	16,6	32	0,1	3	26,6	44,9	0,32	22
	min	1350	7,8	28	0,05	0,7	15,5	51,6	0,19	8,3
PA3520WL	max	3900	22	32	0,14	2,1	35,8	44,9	0,44	15,3
	min	1800	10,5	28	0,06	0,5	20,7	51,7	0,25	5,7
PA3525WL	max	5100	29,5	31	0,18	4	47,4	45,3	0,58	30,3
	min	2300	13,2	26	0,07	0,8	26,9	52,3	0,33	11

			Supply water temperature: 60 °C Room temperature: +18 °C Outlet air temperature: +35 °C*1				Water temperature: 60/40 °C Room temperature: +18 °C			
Type	Fan position	Airflow [m³/h]	Output [kW]	Return water temp. [°C]	Water flow [l/s]	Pressure drop [kPA]	Output*2 [kW]	Outlet air temp. [°C]	Water flow [l/s]	Pressure drop [kPA]
PA3510WL	max	1900	11,2	37	0,12	5,6	12,1	36,7	0,15	7,9
	min	950	5,5	31	0,05	1,1	7,6	41,3	0,09	3,4
PA3515WL	max	2900	16,8	35	0,16	6,6	19,5	37,7	0,24	13
	min	1350	8	30	0,06	1,3	11,5	42,9	0,14	5
PA3520WL	max	3900	22,4	35	0,22	4,5	26,2	37,7	0,32	9
	min	1800	10,3	30	0,08	0,8	15,3	42,9	0,19	3,4
PA3525WL	max	5100	30,4	35	0,29	9,3	35	38,1	0,42	18,1
	min	2300	13,5	28	0,1	1,5	20	43,5	0,24	6,7

			Supply water temperature: 55 °C Room temperature: +18 °C Outlet air temperature: +35 °C*1				Water temperature: 55/35 °C Room temperature: +18 °C			
Type	Fan position	Airflow [m³/h]	Output [kW]	Return water temp. [°C]	Water flow [l/s]	Pressure drop [kPA]	Output*2 [kW]	Outlet air temp. [°C]	Water flow [l/s]	Pressure drop [kPA]
PA3510WL	max	1900	11,2	39	0,18	10,7	9,8	33,1	0,12	5,5
	min	950	5,5	32	0,06	1,7	6,1	36,8	0,07	2,4
PA3515WL	max	2900	16,9	37	0,23	12,3	15,9	34,1	0,19	9,1
	min	1350	7,8	30	0,08	1,8	9,4	38,3	0,11	3,6
PA3520WL	max	3900	22,7	37	0,3	8,5	21,3	34	0,26	6,3
	min	1800	10,2	30	0,1	1,2	12,4	38,3	0,15	2,4
PA3525WL	max	5100	30,4	37	0,4	17,2	28,7	34,5	0,35	12,8
	min	2300	13,2	29	0,12	2,1	16,5	39	0,2	4,8

\*1) Recommended outlet air temperature for good comfort and optimized output.

\*2) Nominal output at given supply and return water temperature.

See [www.frico.se](http://www.frico.se) for additional calculations.

## Output charts water PA3500 WLL

			Supply water temperature: 55 °C Room temperature: +18 °C Outlet air temperature: +32 °C				Water temperature: 55/35 °C Room temperature: +18 °C			
Type	Fan position	Airflow [m³/h]	Output [kW]	Return water temp. [°C]	Water flow [l/s]	Pressure drop [kPA]	Output* [kW]	Outlet air temp. [°C]	Water flow [l/s]	Pressure drop [kPA]
PA3510WLL	max	1850	8,9	29,0	0,08	1,7	11,8	36,7	0,08	1,7
	min	900	4,4	28	0,04	0,5	6,9	40,5	0,04	0,5
PA3515WLL	max	2750	13,5	30	0,13	1	17,4	36,5	0,21	2,2
	min	1300	5,8	31	0,06	0,2	9,7	40,1	0,18	0,8
PA3520WLL	max	3700	17,7	27	0,16	1,6	17,7	38	0,3	5,1
	min	1700	8,2	27	0,07	0,4	8,2	42	0,17	1,8
PA3525WLL	max	4900	23,5	28	0,21	1,6	32,7	37,6	0,4	4,8
	min	2250	11	28	0,1	0,4	18,1	41,6	0,22	1,7

			Supply water temperature: 50 °C Room temperature: +18 °C Outlet air temperature: +32 °C				Water temperature: 50/30 °C Room temperature: +18 °C			
Type	Fan position	Airflow [m³/h]	Output [kW]	Return water temp. [°C]	Water flow [l/s]	Pressure drop [kPA]	Output* [kW]	Outlet air temp. [°C]	Water flow [l/s]	Pressure drop [kPA]
PA3510WLL	max	1850	9,0	30	0,11	2,7	8,9	32	0,11	2,6
	min	900	4,3	28	0,05	0,6	5,1	34,7	0,06	1
PA3515WLL	max	2750	12,9	30	0,16	1,3	12,7	31,5	0,15	1,3
	min	1300	6,2	30	0,07	0,4	6,5	32,8	0,08	0,4
PA3520WLL	max	3700	17,6	28	0,2	2,4	19,2	33,2	0,23	3,2
	min	1700	8,4	27	0,09	0,6	10,6	36,2	0,13	1,2
PA3525WLL	max	4900	22,6	28	0,25	2,2	24,8	32,8	0,3	3
	min	2250	10,9	27	0,12	0,6	13,6	35,8	0,16	1

			Supply water temperature: 45 °C Room temperature: +18 °C Outlet air temperature: +32 °C				Water temperature: 45/35 °C Room temperature: +18 °C			
Type	Fan position	Airflow [m³/h]	Output [kW]	Return water temp. [°C]	Water flow [l/s]	Pressure drop [kPA]	Output* [kW]	Outlet air temp. [°C]	Water flow [l/s]	Pressure drop [kPA]
PA3510WLL	max	1850	9,1	32,0	0,17	5,9	10,2	34,2	0,25	11,4
	min	900	4,4	29	0,07	1,2	5,9	37,2	0,14	4,4
PA3515WLL	max	2750	13,5	32	0,25	3	15,4	34,4	0,37	6
	min	1300	6,3	30	0,1	0,6	8,5	37,5	0,2	2,1
PA3520WLL	max	3700	18,1	30	0,3	5,1	21,6	35,1	0,52	13,6
	min	1700	8,1	27	0,11	0,9	11,8	38,3	0,29	4,7
PA3525WLL	max	4900	23,4	30	0,39	4,7	28,2	34,9	0,68	12,8
	min	2250	11,1	28	0,16	1	15,4	38,1	0,37	4,4

			Supply water temperature: 40 °C Room temperature: +18 °C Outlet air temperature: +32 °C				Water temperature: 40/30 °C Room temperature: +18 °C			
Type	Fan position	Airflow [m³/h]	Output [kW]	Return water temp. [°C]	Water flow [l/s]	Pressure drop [kPA]	Output* [kW]	Outlet air temp. [°C]	Water flow [l/s]	Pressure drop [kPA]
PA3510WLL	max	1850	8,9	34	0,35	21,0	7,6	30	0,18	6,9
	min	900	4,4	30	0,11	2,7	4,4	32,4	0,11	2,7
PA3515WLL	max	2750	12,8	32	0,41	7,4	11,3	30	0,27	3,5
	min	1300	6,2	30	0,15	1,2	6,2	32,2	0,15	1,2
PA3520WLL	max	3700	17,9	32	0,58	16,6	16,1	30,8	0,39	8,3
	min	1700	8,3	29	0,18	2,1	8,9	33,3	0,21	2,9
PA3525WLL	max	4900	23,4	32	0,75	15,6	21	30,6	0,51	7,7
	min	2250	10,7	29	0,23	1,9	11,6	33,1	0,28	2,7

\*1) Recommended outlet air temperature for good comfort and optimized output.

\*2) Nominal output at given supply and return water temperature.

See [www.frico.se](http://www.frico.se) for additional calculations.

## Output charts water PA4200 WH

			Supply water temperature: 110 °C Room temperature: +18 °C Outlet air temperature: +35 °C*1				Water temperature: 110/80 °C Room temperature: +18 °C			
Type	Fan position	Airflow [m³/h]	Output [kW]	Return water temp. [°C]	Water flow [l/s]	Pressure drop [kPA]	Output*2 [kW]	Outlet air temp. [°C]	Water flow [l/s]	Pressure drop [kPA]
PA4210WH	max	2600	15,1	53	0,06	3,9	21,2	41,9	0,17	22,1
	min	1050	6,1	37	0,02	0,5	12,1	51,6	0,10	8
PA4215WH	max	3800	21,7	53	0,09	1,2	31,7	42,4	0,26	7,6
	min	1600	9,1	42	0,03	0,2	18,5	51,8	0,15	2,8
PA4220WH	max	5300	30,2	50	0,12	2,4	44,9	42,8	0,37	17,1
	min	2200	12,7	37	0,04	0,4	25,9	52,5	0,21	6,3
PA4225WH	max	6400	36,2	53	0,16	0,6	54	42,7	0,44	4
	min	2800	16,3	44	0,06	0,1	32,2	51,7	0,27	1,6
			Supply water temperature: 90 °C Room temperature: +18 °C Outlet air temperature: +35 °C*1				Water temperature: 90/70 °C Room temperature: +18 °C			
Type	Fan position	Airflow [m³/h]	Output [kW]	Return water temp. [°C]	Water flow [l/s]	Pressure drop [kPA]	Output*2 [kW]	Outlet air temp. [°C]	Water flow [l/s]	Pressure drop [kPA]
PA4210WH	max	2600	14,7	58	0,11	11,0	17,2	37,4	0,21	32,4
	min	1050	6,0	41	0,03	1,1	9,8	45,3	0,12	11,7
PA4215WH	max	3800	21,7	58	0,17	3,6	25,7	37,9	0,32	11,3
	min	1600	9,5	45	0,05	0,4	15	45,4	0,18	4,2
PA4220WH	max	5300	31,1	58	0,24	8,3	36,4	38,1	0,45	25,1
	min	2200	12,6	41	0,06	0,8	21	45,9	0,26	9,2
PA4225WH	max	6400	36,8	58	0,29	1,9	43,9	38,1	0,54	6
	min	2800	15,9	45	0,09	0,2	26,1	45,4	0,32	2,3
			Supply water temperature: 80 °C Room temperature: +18 °C Outlet air temperature: +35 °C*1				Water temperature: 80/60 °C Room temperature: +18 °C			
Type	Fan position	Airflow [m³/h]	Output [kW]	Return water temp. [°C]	Water flow [l/s]	Pressure drop [kPA]	Output*2 [kW]	Outlet air temp. [°C]	Water flow [l/s]	Pressure drop [kPA]
PA4210WH	max	2600	15,2	65	0,25	44,5	14,2	34	0,17	23,4
	min	1050	6,0	44	0,04	1,9	8,1	40,5	0,10	8,5
PA4215WH	max	3800	21,5	61	0,28	9,3	21,1	34,3	0,26	8
	min	1600	9,2	46	0,07	0,7	12,3	40,5	0,15	3
PA4220WH	max	5300	30,5	61	0,40	20,9	30	34,6	0,37	18
	min	2200	12,8	44	0,09	1,4	17,3	41	0,21	6,6
PA4225WH	max	6400	36,7	61	0,48	4,9	35,9	34,4	0,44	4,2
	min	2800	16,6	48	0,13	0,5	21,4	40,4	0,26	1,7
			Supply water temperature: 82 °C Room temperature: +18 °C Outlet air temperature: +35 °C*1				Water temperature: 82/71 °C Room temperature: +18 °C			
Type	Fan position	Airflow [m³/h]	Output [kW]	Return water temp. [°C]	Water flow [l/s]	Pressure drop [kPA]	Output*2 [kW]	Outlet air temp. [°C]	Water flow [l/s]	Pressure drop [kPA]
PA4210WH	max	2600	14,8	62	0,18	25,1	16,6	36,7	0,37	91,4
	min	1050	6,1	44	0,04	1,8	9,4	44,3	0,21	32,5
PA4215WH	max	3800	22,0	62	0,27	8,6	25,1	37,4	0,56	32,5
	min	1600	9,3	46	0,06	0,7	14,6	44,7	0,32	11,9
PA4220WH	max	5300	31,3	62	0,38	19,3	35,3	37,5	0,79	71,9
	min	2200	12,4	42	0,08	1,1	20,3	45	0,45	25,9
PA4225WH	max	6400	37,5	62	0,46	4,5	42,9	37,7	0,96	17,2
	min	2800	15,8	46	0,11	0,4	25,5	44,7	0,57	6,6

\*1) Recommended outlet air temperature for good comfort and optimized output.

\*2) Nominal output at given supply and return water temperature.

See [www.frico.se](http://www.frico.se) for additional calculations.



## Output charts water PA4200 WL

			Supply water temperature: 80 °C Room temperature: +18 °C Outlet air temperature: +35 °C*1				Water temperature: 80/60 °C Room temperature: +18 °C			
Type	Fan position	Airflow [m³/h]	Output [kW]	Return water temp. [°C]	Water flow [l/s]	Pressure drop [kPA]	Output*2 [kW]	Outlet air temp. [°C]	Water flow [l/s]	Pressure drop [kPA]
PA4210WL	max	2600	14,9	31	0,07	2,7	28,4	50	0,35	42
	min	1050	6,0	26	0,03	0,5	15	59,9	0,18	13,3
PA4215WL	max	3800	21,7	30	0,11	2,2	43,3	51,4	0,53	38,4
	min	1600	9,5	27	0,04	0,5	23,3	60,7	0,29	12,5
PA4220WL	max	5300	31,4	31	0,15	2,0	60,1	51,2	0,73	31,9
	min	2200	12,8	27	0,06	0,4	32,1	60,7	0,39	10,2
PA4225WL	max	6400	36,6	28	0,17	2,9	75	52,3	0,92	56,7
	min	2800	16,3	24	0,07	0,6	41,4	61,3	0,51	19,2
			Supply water temperature: 70 °C Room temperature: +18 °C Outlet air temperature: +35 °C*1				Water temperature: 70/50 °C Room temperature: +18 °C			
Type	Fan position	Airflow [m³/h]	Output [kW]	Return water temp. [°C]	Water flow [l/s]	Pressure drop [kPA]	Output*2 [kW]	Outlet air temp. [°C]	Water flow [l/s]	Pressure drop [kPA]
PA4210WL	max	2600	14,9	33	0,10	4,6	22,5	43,4	0,27	28,2
	min	1050	6,1	28	0,03	0,8	12	51,4	0,15	9,1
PA4215WL	max	3800	22,1	32	0,14	3,8	34,3	44,4	0,42	25,7
	min	1600	9,4	28	0,05	0,7	18,6	52,1	0,23	8,5
PA4220WL	max	5300	31,4	33	0,21	3,5	47,6	44,3	0,58	21,4
	min	2200	12,7	28	0,07	0,6	25,6	52,1	0,31	7
PA4225WL	max	6400	36,4	30	0,22	4,7	59,7	45,3	0,73	38,3
	min	2800	15,8	25	0,09	0,9	33,1	52,7	0,40	13,2
			Supply water temperature: 60 °C Room temperature: +18 °C Outlet air temperature: +35 °C*1				Water temperature: 60/40 °C Room temperature: +18 °C			
Type	Fan position	Airflow [m³/h]	Output [kW]	Return water temp. [°C]	Water flow [l/s]	Pressure drop [kPA]	Output*2 [kW]	Outlet air temp. [°C]	Water flow [l/s]	Pressure drop [kPA]
PA4210WL	max	2600	15,4	37	0,17	11,8	16,5	36,6	0,20	16,6
	min	1050	6,2	30	0,05	1,4	8,9	42,7	0,11	5,5
PA4215WL	max	3800	21,6	35	0,21	7,6	25,2	37,4	0,31	15
	min	1600	9,2	29	0,07	1,2	13,8	43,2	0,17	5,1
PA4220WL	max	5300	29,9	35	0,29	6,3	34,9	37,3	0,42	12,6
	min	2200	13,1	30	0,10	1,1	18,9	43,2	0,23	4,2
PA4225WL	max	6400	36,8	33	0,34	10,0	44,1	38,2	0,54	22,8
	min	2800	16,3	28	0,12	1,7	24,7	43,9	0,30	8,1
			Supply water temperature: 55 °C Room temperature: +18 °C Outlet air temperature: +35 °C*1				Water temperature: 55/35 °C Room temperature: +18 °C			
Type	Fan position	Airflow [m³/h]	Output [kW]	Return water temp. [°C]	Water flow [l/s]	Pressure drop [kPA]	Output*2 [kW]	Outlet air temp. [°C]	Water flow [l/s]	Pressure drop [kPA]
PA4210WL	max	2600	15,2	39	0,23	22,3	13,4	33,1	0,16	11,7
	min	1050	6,0	30	0,06	2,0	7,2	38,2	0,09	3,9
PA4215WL	max	3800	21,8	37	0,29	14,2	20,5	33,8	0,25	10,5
	min	1600	9,3	30	0,09	1,8	11,3	38,6	0,14	3,6
PA4220WL	max	5300	30,2	37	0,41	11,9	28,4	33,7	0,34	8,8
	min	2200	12,8	30	0,13	1,5	15,5	38,6	0,19	3
PA4225WL	max	6400	37,1	36	0,47	18,4	36,2	34,6	0,44	16,2
	min	2800	16,5	29	0,15	2,6	20,4	39,3	0,25	5,8

\*1) Recommended outlet air temperature for good comfort and optimized output.

\*2) Nominal output at given supply and return water temperature.

See [www.frico.se](http://www.frico.se) for additional calculations.

## Output charts water PA4200 WLL

			Supply water temperature: 55 °C Room temperature: +18 °C Outlet air temperature: +32 °C				Water temperature: 55/35 °C Room temperature: +18 °C			
Type	Fan position	Airflow [m³/h]	Output [kW]	Return water temp. [°C]	Water flow [l/s]	Pressure drop [kPA]	Output* [kW]	Outlet air temp. [°C]	Water flow [l/s]	Pressure drop [kPA]
PA4210WLL	max	2500	12,0	29	0,11	2,0	15,7	36,5	0,19	4,9
	min	1000	4,8	28	0,04	0,4	7,9	41,3	0,10	1,5
PA4215WLL	max	3600	17,2	27	0,15	2,0	24,3	37,8	0,29	6,4
	min	1500	7,4	27	0,06	0,5	12,5	42,4	0,15	2
PA4220WLL	max	5200	25,1	29	0,23	1,6	33,3	36,8	0,40	4,2
	min	2100	9,0	29	0,08	0,3	16,7	41,3	0,20	1,2
PA4225WLL	max	6200	29,5	28	0,26	1,7	41,3	37,5	0,50	5,3
	min	2700	13,9	28	0,13	0,5	21,9	41,8	0,27	1,7
			Supply water temperature: 50 °C Room temperature: +18 °C Outlet air temperature: +32 °C				Water temperature: 50/30 °C Room temperature: +18 °C			
Type	Fan position	Airflow [m³/h]	Output [kW]	Return water temp. [°C]	Water flow [l/s]	Pressure drop [kPA]	Output* [kW]	Outlet air temp. [°C]	Water flow [l/s]	Pressure drop [kPA]
PA4210WLL	max	2500	12,0	30	0,15	3,2	11,9	31,9	0,14	3,1
	min	1000	4,9	28	0,05	0,6	5,9	35,3	0,07	0,9
PA4215WLL	max	3600	17,0	28	0,19	3,1	18,6	33,1	0,22	4,1
	min	1500	7,2	26	0,07	0,6	9,5	36,6	0,12	1,3
PA4220WLL	max	5200	25,3	30	0,31	2,7	24,9	32,1	0,30	2,6
	min	2100	10,0	28	0,11	0,5	12,2	35	0,15	0,7
PA4225WLL	max	6200	30,1	29	0,35	2,9	31,3	32,8	0,38	3,3
	min	2700	12,8	27	0,14	0,6	16,4	35,8	0,20	1
			Supply water temperature: 45 °C Room temperature: +18 °C Outlet air temperature: +32 °C				Water temperature: 45/35 °C Room temperature: +18 °C			
Type	Fan position	Airflow [m³/h]	Output [kW]	Return water temp. [°C]	Water flow [l/s]	Pressure drop [kPA]	Output* [kW]	Outlet air temp. [°C]	Water flow [l/s]	Pressure drop [kPA]
PA4210WLL	max	2500	12,2	32	0,23	6,9	13,7	34	0,33	13,4
	min	1000	4,8	28	0,07	0,9	6,8	37,9	0,16	3,9
PA4215WLL	max	3600	17,4	30	0,29	6,4	20,8	34,9	0,50	17
	min	1500	7,3	27	0,10	1,0	10,5	38,5	0,25	5,1
PA4220WLL	max	5200	25,7	32	0,48	5,8	29	34,3	0,70	11,5
	min	2100	10,1	28	0,15	0,7	14,4	38,1	0,35	3,3
PA4225WLL	max	6200	29,6	30	0,49	5,2	35,6	34,8	0,86	14,4
	min	2700	13,3	28	0,19	1,0	18,7	38,3	0,45	4,5
			Supply water temperature: 40 °C Room temperature: +18 °C Outlet air temperature: +32 °C				Water temperature: 40/30 °C Room temperature: +18 °C			
Type	Fan position	Airflow [m³/h]	Output [kW]	Return water temp. [°C]	Water flow [l/s]	Pressure drop [kPA]	Output* [kW]	Outlet air temp. [°C]	Water flow [l/s]	Pressure drop [kPA]
PA4210WLL	max	2500	11,9	34,0	0,46	24,6	10,1	29,9	0,24	8
	min	1000	4,7	29,0	0,10	1,7	5,1	32,8	0,12	2,4
PA4215WLL	max	3600	17,2	32,0	0,55	20,7	15,5	30,6	0,37	10,4
	min	1500	7,4	29,0	0,16	2,3	7,9	33,5	0,19	3,2
PA4220WLL	max	5200	24,1	32,0	0,77	14,1	21,4	30,1	0,52	6,8
	min	2100	9,8	29,0	0,21	1,4	10,7	32,9	0,26	2
PA4225WLL	max	6200	29,6	32,0	0,95	17,6	26,5	30,5	0,64	8,6
	min	2700	13,0	29,0	0,28	1,9	14	33,2	0,34	2,7

\*1) Recommended outlet air temperature for good comfort and optimized output.

\*2) Nominal output at given supply and return water temperature.

See [www.frico.se](http://www.frico.se) for additional calculations.

## Montage- och bruksanvisning

### Allmänna anvisningar

Läs noga igenom denna bruksanvisning före installation och användning. Spara manualen för framtida bruk.

*Produkten får endast användas till det som framgår av denna montage- och bruksanvisning. Garantin gäller endast om anvisningen har följts och produkten använts såsom är beskrivet.*

### Användningsområde

PA3500 är avsedd som skydd för entrédörrar och mindre portar upp till 3,5 meters höjd. PA4200 passar större portar upp till 4,2 meters höjd.

Luftridån finns utan värme, med elvärme och med vattenburen värme.

Kapslingsklass för aggregat med elvärme: IP20.

Kapslingsklass för aggregat utan värme och aggregat med vattenburen värme: IP21.

### Funktion

Luften sugas in från apparatens ovansida/baksida och blåses ut nedåt/framåt, så att den skärmar av portöppningen och minimerar värmeläckage. För bästa ridåverkan ska aggregatet täcka hela öppningens höjd/bredd.

Gallret som riktar luften är justerbart och vrids normalt något utåt så att luftstrålen hindrar den inkommande luften.

Luftridåns effektivitet beror på hur stor belastningen är på den aktuella porten.

*Observera att undertryck i lokalen försämrar luftridåns effektivitet väsentligt. Ventilationen bör därför vara balanserad.*

### Montering

I luftridåserien finns möjlighet till vertikalt montage och horisontellt montage. Aggregaten kan även monteras infällda i undertak.

#### Horisontellt montage

Aggregatet monteras horisontellt med utblåsöppningen nedåt så nära porten som möjligt. Minsta avstånd från utlopp till golv för aggregat med elvärme är 1800 mm. För övriga minimimått se fig. 3.

Vid breda öppningar kan flera aggregat monteras ihop med varandra med en skarvsats (fig. 9).

Ett designpaket för snygg installation som döljer kablar, rör och upphängning finns för både vägg- och takmontage, se tillbehörsidor.

#### Horisontellt montage på vägg PA34WB (fig. 6)

1. Ta av plastlock på väggkonsoler. (Fig. 6A)
2. Montera konsolerna på väggen enligt mått i fig. 6B.
3. Skruva i hammarskruvar på aggregatet i avsedda hål M8. (Fig. 5 och 6C)
4. Lås mutter så att hammarskruvarna sitter på 20 mm höjd. Observera riktningen på skruvhuvudet. (Fig. 6C)
5. Skjut in aggregatet på konsolerna. (Fig. 6D)
6. Lås muttern mot konsolen och sätt tillbaka plastlock. (Fig. 6E)

#### Horisontellt montage från tak

Gängstänger, vajrar samt takfästen för montering i tak finns som tillbehör, se fig. 7 och 8 samt separata manualer.

#### Horisontellt montage infällt i undertak

Utblåsstos finns som tillbehör, se fig. 10 samt separat manual.

## Vertikalt montage PA3JK

Luftridåer som är 1,5 meter eller längre kan användas vertikalt. Vid vertikalt montage kompletteras varje aggregat med ett vertikalkpaket som innehåller allt som behövs för en praktisk montering av aggregaten golvstående.

Aggregatet kan vändas och placeras på valfri sida om dörren. Anslutningar och styrkort SIRE hamnar nere nära golvet när luftridån står till vänster och uppe nära taket då den står till höger om dörren (sett inifrån lokalen).

Golvsargen som medföljer fästs i golvet med, för underlaget, lämpliga fästelement.

Två aggregat kan monteras direkt ovanpå varandra, då används golvsargen som skarvkonsol.

Luftridån ska förankras i vägg eller tak.

Ett designpaket för snygg installation som döljer kablar och rör finns som tillbehör, se tillbehörsidor.

Se fig. 11 och separat manual.

## Elinstallation

Installationen, som ska föregås av en allpolig brytare med ett brytavstånd om minst 3 mm, ska utföras av behörig installatör och i enlighet med denna bruksanvisning samt gällande föreskrifter. Styrsystemet är förinstallerat i luftridån med ett integrerat styrkort (se fig. 2).

SIRE levereras förprogrammerad och är försedd med snabbkopplingar.

Modularkablar kopplas in på styrkortet. Se manual för SIRE.

*Aggregat utan värme eller med vattenburen värme*  
Ansluts via det inbyggda styrkortet SIRE med 2 m sladd och stickpropp.

## Aggregat med elvärme

Elinstallation görs på aggregatets ovansida (horisontella) respektive baksida (vertikala). Manöver matas med 230V~ och kabel finns utdragen från det inbyggda styrkortet SIRE. Kraftmatning för värme (400V3~) ansluts på kopplingsplint i kopplingsrummet. För 2-meters aggregat och längre krävs dubbla kraftmatningar.

Största kabeldiameter för anslutningsplinten är 16 mm<sup>2</sup>. Använda kabelgenomföringar måste säkerställa kravet på kapslingsklass. I gruppcentralen ska anges att "Luftridåerna matas från mer än en gruppledning".

Se kopplingsscheman.

Typ	Effekt	Spänning	Minsta area* [mm <sup>2</sup> ]
	[kW]	[V]	
<b>Manöver</b>	0	230V~	1,5
<b>PA3510E08</b>	8	400V3~	2,5
<b>PA3515E12</b>	12	400V3~	4
<b>PA4210E12</b>	12	400V3~	4
<b>PA4215E18</b>	18	400V3~	10
<b>PA3520E16*<sup>1</sup></b>	8	400V3~	2,5
	8	400V3~	2,5
<b>PA3525E20*<sup>1</sup></b>	8	400V3~	2,5
	12	400V3~	4
<b>PA4220E24*<sup>1</sup></b>	12	400V3~	4
	12	400V3~	4
<b>PA4225E30*<sup>1</sup></b>	12	400V3~	4
	18	400V3~	10

\*<sup>1</sup>) 2 m och 2,5 m-aggregat ansluts med två kraftmatningar, se s. 2. 2,5 meters aggregat har elbatterier med två olika effekter och elbatteriet till vänster, på ett horisontellt aggregat, sett inifrån lokalen, har högst effekt.

\*<sup>2</sup>) Dimensionering av externt kablage ska följa gällande föreskrifter och lokala avvikelser kan därför förekomma.

## Uppstart (E)

När apparaten används för första gången eller efter ett längre uppehåll, kan det komma rök eller lukt från damm eller smuts som samlats på elementen. Detta är helt normalt och försvinner efter en kort stund.

## **Anslutning av vattenbatteri (W)**

---

Installationen skall utföras av behörig installatör.

Vattenbatteriet består av kopparrör med flänsar av aluminium och är avsett att användas i ett slutet system. Anslutningsrör i stål. Batteriet får inte anslutas till färskt eller syresatt vatten.

Observera att aggregeratet ska föregås av en reglerande ventil, se Frico ventilkit.

Anslutning av vattenbatteri sker på aggregeratets ovansida (horisontellt montage) respektive baksida (vertikalt montage) via anslutningar DN20 (3/4”), utvändig gänga. Flexibla slangar finns som tillbehör, se tillbehörsidor.

Anslutningarna till batteriet ska förses med avstängningsventiler (ingår i Fricos ventilkit) för att möjliggöra problemfri demontering.

Luftningsventil ska anslutas på högpunkt utanför aggregeratet. Luftningsventil ingår inte.

Vid vertikalt montage och vattenanslutning i botten finns inte möjlighet till luftning av batteriet i aggregeratet, se till att vattenbatteriet är fyllt med vatten och ingen luft finns kvar, innan idrifttagning. Se fig. 4.

Vår rekommenderade lösning är att använda en T-koppling samt avstängningsventiler. Små luftbubblor kan finnas kvar, men försvinner vid normal drift. Observera att vid montering av rörkoppling skall röranslutningarna i aggregeratet hållas fast med ett verktyg för att undvika skador och läckage.

## **Injustering av luftridån och luftström**

---

Luftstrålens riktning och hastighet ska justeras med hänsyn till belastningen på porten. Tryckkrafter påverkar luftströmmen så att den böjer av inåt i lokalen (vid uppvärmd lokal och kall uteluft).

Luftströmmen bör därför riktas utåt för att stå emot belastningen. Generellt kan sägas att ju större belastning desto större vinkel krävs.

## **Grundinställning fläkthastighet**

---

Fläkthastigheten då porten är öppen ställs in med hjälp av regleringen. Observera att utblåsriktning och fläkthastighet kan behöva finjusteras beroende på portens belastning.

## **Filter (W)**

---

Vattenbatteriets luftsida skyddas mot nedsmutsning och igensättning av ett filter som täcker batteriets frontyta. I miljöer där filtret ofta behöver rengöras är det lämpligt med ett externt insugfilter (se tillbehörsidor), som ger ett enklare underhåll, eftersom aggregeratet inte behöver öppnas.

## **Service, reparation och skötsel**

---

Vid all service, reparation och underhåll gör först enligt följande:

1. Bryt strömmen.
2. Lossa skruvar och fäll upp frontplåten. Fronten ska spärras i öppet läge med frontluckehaken, se fig. 1A eller tas av helt, se fig. 1B. Serviceluckan tas bort genom att lossa skruvar.
3. Efter service, reparation och skötsel skruva fast serviceluckan och frontplåten. När frontplåten tagits bort helt är det viktigt att se till att den sitter ordentligt fast i frontlåset igen, se fig. 1B.

## Skötsel

---

*Aggregat med vattenburen värme:*

Apparatens filter bör rengöras regelbundet för att säkerställa ridåverkan och värmeavgivning från apparaten. Hur ofta beror på de lokala omständigheterna. Ett igensatt filter innebär inte någon risk, men apparatens funktion uteblir.

1. Bryt strömmen.
2. Lossa skruvar och fäll upp frontplåten. Fronten ska spärras i öppet läge med frontluckehaken, se fig. 1A.
3. Ta ut filtret och dammsug eller tvätta det. Om filtret är mycket igensatt eller skadat kan det behövas bytas.

*Alla aggregat:*

Eftersom fläktarnas motorer och övriga komponenter är underhållsfria krävs inget annat underhåll än regelbunden rengöring, hur ofta beror på de lokala omständigheterna dock minst två gånger per år. Insugs- och utblåsgaller, fläkthjul och element kan dammsugas eller torkas av med torr trasa. Vid dammsugning använd borste för att inte skada ömtåliga delar. Undvik starkt basiska eller syrahaltiga rengöringsmedel.

## Överhettning

---

Luftridaaggregat med elvärme är försett med temperaturbegränsare. Om den har löst ut pga överhettning, återställs den på följande sätt:

1. Bryt strömmen med den allpoliga brytaren.
2. Låt elbatteriet svalna.
3. Fastställ orsaken och åtgärda felet som orsakade överhettningen.
4. Koppla in luftridaaggregatet igen.

Motorerna, i alla luftridaaggregaten, har en inbyggd termokontakt till skydd mot överhettning. Återställningen av denna sker automatiskt då motorn har svalnat.

## Temperaturreglering

---

Temperaturreglering i SIRE avser att begränsa utblåstemperaturen. Om temperaturen ändå skulle överskrida inställt värde avges överhettningsslarm. Läs mer i manualen för SIRE.

## Fläktbyte

---

1. Undersök vilken av fläktarna som inte fungerar.
2. Lossa kablarna till fläkten.
3. Lossa fläktens fästskruvar och lyft ut fläkten.
4. Montera den nya fläkten enligt ovanstående i omvänd ordning.

## Byte av element (E)

---

1. Märk och lossa kablarna till elementpaketet.
2. Lossa fästskruvarna som låser elementpaketet i aggregatet och lyft ut paketet.
3. Byt ut trasiga element.
4. Montera fast elementpaketet enligt ovanstående i omvänd ordning.

## Byte av vattenbatteri (W)

---

1. Stäng av vattentillförseln till aggregatet.
2. Lossa anslutningarna till vattenbatteriet.
3. Lossa fästskruvarna som låser batteriet i aggregatet och lyft ut batteriet.
4. Montera det nya batteriet enligt ovanstående i omvänd ordning.

## Felsökning

*Om fläktarna inte går eller inte blåser tillräckligt, kontrollera följande:*

- Att insugsallret/filtret inte är smutsigt.
- Funktioner och inställningar i styrsystem SIRE, se manual för SIRE.

*Om det inte blåser varmt, kontrollera följande:*

- Funktioner och inställningar i styrsystem SIRE, se manual för SIRE.

*För aggregat med elvärme kontrollera även följande:*

- Att spänning finns fram till elvärmebatteriet; kontrollera säkringar och eventuell arbetsbrytare.
- Att överhettningsskyddet inte har löst ut.

*För aggregat med vattenbatteri kontrollera även följande:*

- Att vattenbatteriet är avluftat.
- Att vattenflödet är tillräckligt.
- Att inkommande vatten är tillräckligt varmt.

Om felet inte kan avhjälpas, tag kontakt med behörig servicetekniker.

## Jordfelsbrytare (E)

När installationen är skyddad av jordfelsbrytare och denna löser ut vid inkopplingen kan detta bero på fukt i värmeelementen. När ett aggregat som innehåller värmeelement inte använts under en längre tid eller lagrats i fuktig miljö kan fukt tränga in. Detta är inte att betrakta som ett fel utan åtgärdas enklast genom att aggregatet kopplas in via ett uttag utan jordfelsbrytare varvid elementen torkar.

Torktiden kan variera från någon timma till ett par dygn. I förebyggande syfte är det lämpligt att anläggningen tas i drift kortare stunder under längre användningsuppehåll.

## Säkerhet

- *Vid alla installationer av elvärmda produkter bör jordfelsbrytare 300 mA för brandskydd användas.*
- *Säkerställ att området kring apparatens insugs- och utblåsgaller hålls fritt från material som kan hindra luftströmmen genom apparaten!*
- *Apparaten får ej övertäckas helt eller delvis med kläder eller dylikt material, då överhettning av apparaten kan medföra brandfara! (E)*
- *Lyfthjälpmiddel ska användas för att lyfta apparaten.*
- *Denna apparat kan användas av barn över 8 år och av personer med nedsatt fysisk, känslomässig eller mental förmåga, och av personer med bristande erfarenhet eller kunskap, under förutsättning att de övervakas eller att de får anvisningar angående säker användning av apparaten och dess inneboende faror. Barn får ej leka med apparaten. Rengöring och underhåll skall utföras av användaren och får inte utföras av barn utan övervakning.*
- *Håll barn under 3 års ålder på avstånd från apparaten eller övervaka dem noga.*
- *Barn mellan 3 och 8 års ålder får endast sätta på och stänga av apparaten om den är placerad eller installerad på den normala användningsplatsen och barnen övervakas noga och instrueras om säker användning av apparaten och de risker som finns.*
- *Barn mellan 3 och 8 års ålder får inte sätta i stickproppen, ställa in, rengöra eller underhålla apparaten.*

**WARNING:** *Vissa delar av apparaten kan bli mycket varma och orsaka brännskador. Var särskilt uppmärksam om det finns barn eller känsliga personer i närheten.*

## Översättning introduktionssidor

- Outside thread = Utvändig gänga
- Quantity included = Antal som ingår
- pcs = Styck
- Accessories = Tillbehör
- See separate manual for xxx = Se separat manual för xxx.
- Wiring diagrams for XXX and XXX, see manual for SIRE = Kopplingscheman för xxx och xxx, se manual för SIRE.
- Note! The air curtain must be secured in the wall or ceiling. = OBS! Luftridån ska förankras i vägg eller tak.

## Tekniska data

Output steps [kW]	= Effektsteg
Output* <sup>5,6,7</sup> [kW]	= Effekt
Airflow* <sup>1</sup> [m <sup>3</sup> /h]	= Luftflöde
Sound power* <sup>2</sup> [dB(A)]	= Ljudeffekt
Sound pressure* <sup>3</sup> [dB(A)]	= Ljudtryck
Voltage motor [V]	= Spänning motor
Amperage motor [A]	= Ström motor
Voltage / Amperage heat	= Spänning / Ström värme
Water volume [l]	= Vattenvolym
Length [mm]	= Längd
Weight [kg]	= Vikt

\*1) Lägst/högst luftflöde av totalt 5 fläktsteg.

\*2) Ljudeffekt ( $L_{WA}$ ), mätningar enligt ISO 27327-2: 2014, Installationstyp E.

\*3) Ljudtryck ( $L_{pA}$ ). Förutsättningar: Avstånd till aggregat 5 meter. Riktningfaktor: 2. Ekvivalent absorptionsarea 200 m<sup>2</sup>. Vid lägst/högst luftflöde.

\*4)  $\Delta t$  = temperaturhöjning på genomgående luft vid maximal värmeeffekt och lägst respektive högst luftflöde.

\*5) Gäller vid vattentemperatur 60/40 °C, lufttemperatur in +18 °C.

\*6) Gäller vid vattentemperatur 80/60 °C, lufttemperatur in +18 °C.

\*7) Gäller vid vattentemperatur 40/30 °C, lufttemperatur in +18 °C.

Kapslingsklass för aggregat med elvärme: IP20.

Kapslingsklass för aggregat utan värme och aggregat med vattenburen värme: IP21.

CE-märkt.

## Dimensioneringstabeller vatten

Supply water temperature [°C]	= Framledningstemperatur, vatten
Room temperature [°C]	= Rumstemperatur
Outlet air temperature* <sup>1</sup> [°C]	= Utgående lufttemperatur
Water temperature [°C]	= Vattentemperatur
Fan position	= Fläktläge
Airflow [m <sup>3</sup> /h]	= Luftflöde
Output* <sup>2</sup> [kW]	= Effekt
Return water temperature [°C]	= Returvattentemperatur
Water flow [l/s]	= Vattenflöde
Pressure drop [kPa]	= Tryckfall

\*1) Rekommenderad utgående lufttemperatur för en god komfort med optimerat effektuttag.

\*2) Nominell effekt vid given framlednings- och returtemperatur.

Se [www.frico.se](http://www.frico.se) för ytterligare beräkningar.





**Main office**

Frico AB  
Box 102  
SE-433 22 Partille  
Sweden

Tel: +46 31 336 86 00

mailbox@frico.se  
www.frico.se

**For latest updated information and information  
about your local contact: [www.frico.se](http://www.frico.se)**