

# PV-23A Hose reel with automatic valve



## Description

---

Diameter 550 x depth 230 mm

A reel designed to be a fire hydrant. Includes a fire hydrant hose and a Handifighter spray nozzle. Equipped with wall bracket, hose guide, rewinding knob and automatic valve. The size of the coupling is 3/4".

## Standard

---

Manufactured according to EN 671-1 standard specifications.

## Surface finish

---

Epoxy powder coated.

Standard colours:

- grey (RAL 7040)
- white (RAL 9016)
- red (RAL 3020)

## Hose

---

1. Fabric surface polyester/EPDM lightweight hose. Fulfils EN 694:2001 standard.
  - Operating pressure: 1,2 MPa
  - Burst pressure: 9 MPa
2. Nitrile/PVC fire hydrant hose reinforced with polyester webbing. Fulfils EN 694:2001 Type A Class 2 standard.
  - Operating pressure: 1,2 MPa
  - Burst pressure: 4 MPa

The hose assembly is equipped with a spray nozzle.

## Reel

---

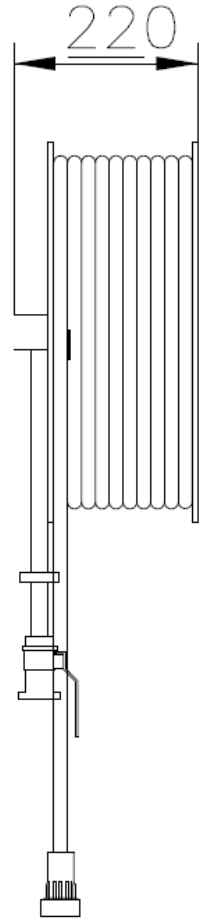
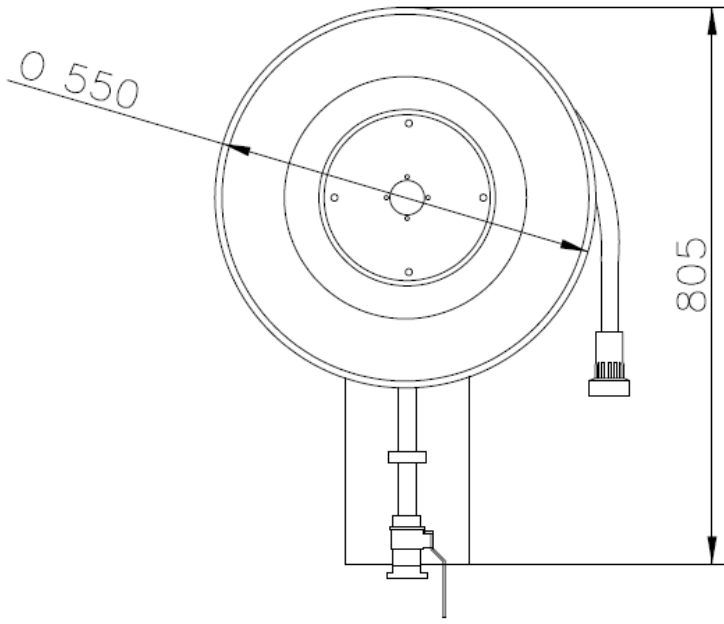
The reels are made from 1 mm steel and the hub of the reel is made from a special pressure-tested brass casting.

## Hose size alternatives

---

<b>Code</b>	<b>Model</b>	<b>Size</b>
2956502	PV-23A	19 mm/20 m
2956504	PV-23A	19 mm/25 m
2956506	PV-23A	19 mm/30 m
2956508	PV-23A	19 mm/40 m
2956510	PV-23A	19 mm/45 m
2956512	PV-23A	25 mm/20 m
2956514	PV-23A	25 mm/25 m
2956516	PV-23A	25 mm/30 m

PV-23



# Exploded view of the reel

