

PV-22 Mini reel with a wall mounting plate



Description

Diameter 390 x depth 150 mm

A very small hose reel made from steel. Equipped with a wall bracket, a hose guide, 1" shut-off valve, connecting hose and rewinding knob. A reel with 19 mm hose is equipped with direct-/fog jet pipe and a 16 mm watering pistol.

Standard

Manufactured according to EN 671-1 standard specifications.

Surface finish

Epoxy powder coated

Standard colours:

- grey (RAL 7040)
- white (RAL 9016)
- red (RAL 3020)

Hose

Material: PVC/polyester

Operating temperature: -20 C - +60 C

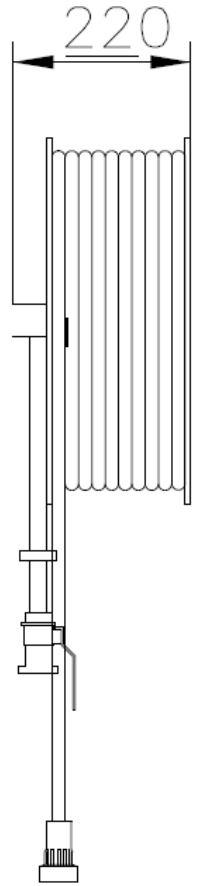
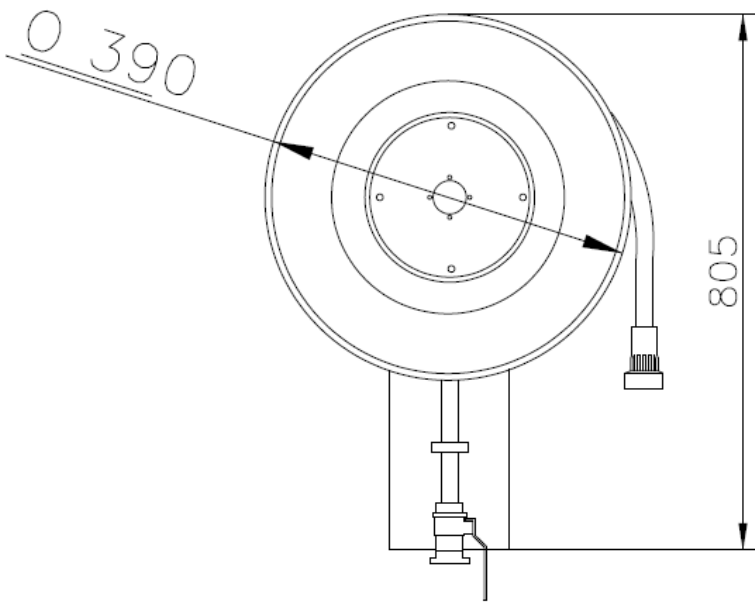
Reel

The reels are made from 1 mm steel. The hub of the reel is made from a special pressure-tested brass casting.

Hose size alternatives

Codes	Models	Size
2956352	PV-25	16 mm/25 m
2956442	PV-25	19 mm/15 m
2956443	PV-25	19 mm/20 m
2956350	PV-25	Without a hose or nozzle

PV-22



Exploded view of the reel

