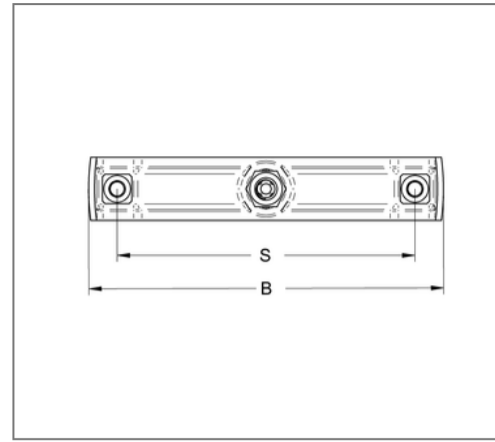
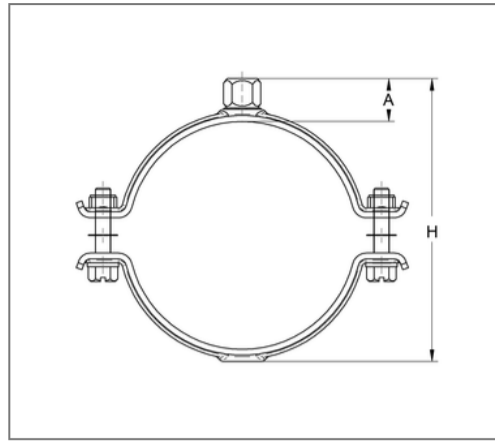


## ■ Pipe clamp HDC 30x2,5 40 - 45 mm M10 unlined



### Commercial details

|               |               |
|---------------|---------------|
| Part no.      | 47300043      |
| EAN/GTIN      | 4250928458230 |
| Packing unit  | 50 pcs        |
| Price unit    | 100           |
| Quantity unit | pcs           |
| Weight        | 0,174 kg/pc   |
| Product group | 12-034        |

### QR code



### Certification



### Specification

|               |                                                                                                 |
|---------------|-------------------------------------------------------------------------------------------------|
| Brand         | Jiangmen Eurofix                                                                                |
| Application   | Pipe clamp with connection thread according to area sprinkler guidelines for Sprinkler systems. |
| Specification | two-part                                                                                        |
| Connection    | M10                                                                                             |

### Technical data

|                         |            |
|-------------------------|------------|
| Material                | Steel      |
| Surface                 | galvanized |
| Sound insulation lining | unlined    |

### Product details

|                            |            |
|----------------------------|------------|
| Center distance            | 66 mm      |
| Connection height          | 18 mm      |
| Width                      | 88 mm      |
| Height                     | 67 mm      |
| Material dimension         | 30x2.5 mm  |
| Width material             | 30 mm      |
| Material thickness         | 2.5 mm     |
| load Fz                    | 2.5 kN     |
| min. outside pipe diameter | 40 mm      |
| max. outside pipe diameter | 45 mm      |
| Outside pipe diameter inch | 1 1/4 inch |
| Closure screw              | M10        |