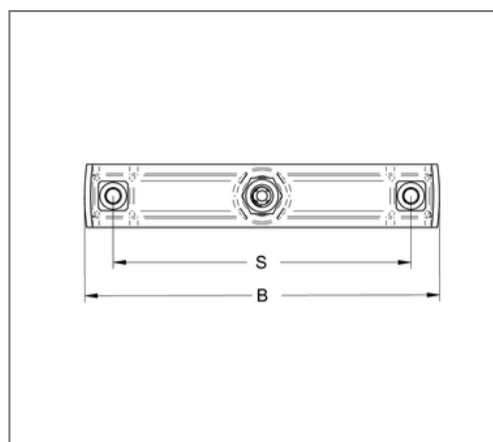
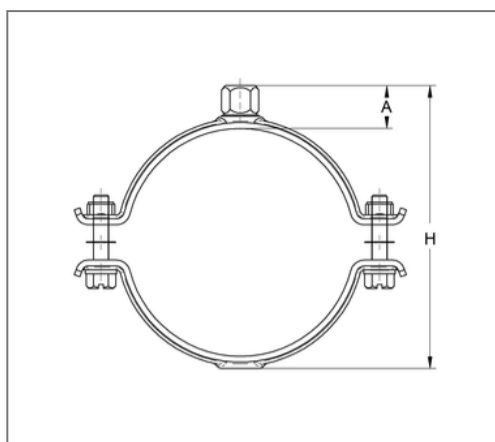


## ■ Pipe clamp HDC 30x3 76 - 81 mm M10 unlined



### Commercial details

Part no.	47300076
EAN/GTIN	4250928458261
Packing unit	25 pcs
Price unit	100
Quantity unit	pcs
Weight	0,292 kg/pc
Product group	12-034

### QR code



### Certification



### Specification

Brand	Jiangmen Eurofix
Application	Pipe clamp with connection thread according to area sprinkler guidelines for Sprinkler systems.
Specification	two-part
Connection	M10

### Technical data

Material	Steel
Surface	galvanized
Sound insulation lining	unlined

### Product details

Center distance	108 mm
Connection height	20 mm
Width	135 mm
Height	105 mm
Material dimension	30x3 mm
Width material	30 mm
Material thickness	3 mm
load Fz	3.5 kN
min. outside pipe diameter	76 mm
max. outside pipe diameter	81 mm
Outside pipe diameter inch	2 1/2 inch
Closure screw	M10