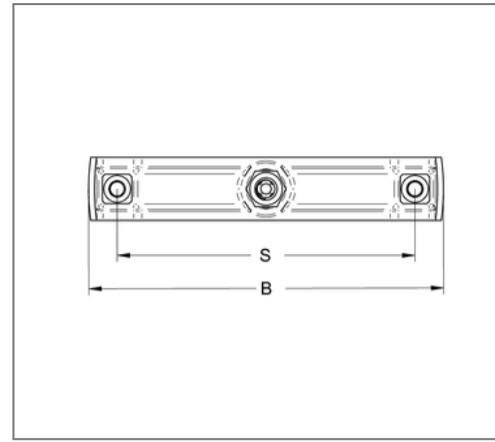
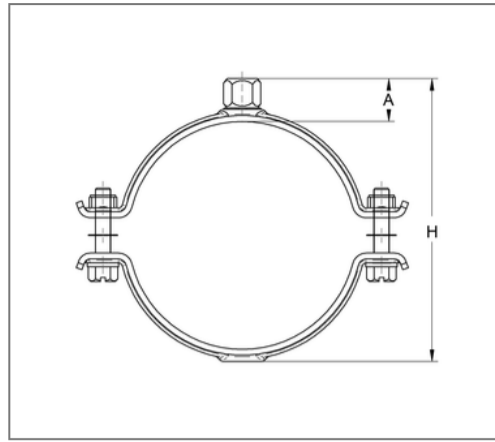


■ Pipe clamp HDC 30x3 110 - 116 mm M10 unlined



Commercial details

Part no.	47300110
EAN/GTIN	4250928458285
Packing unit	25 pcs
Price unit	100
Quantity unit	pcs
Weight	0,365 kg/pc
Product group	12-034

QR code



Certification



Specification

Brand	Jiangmen Eurofix
Application	Pipe clamp with connection thread according to area sprinkler guidelines for Sprinkler systems.
Specification	two-part
Connection	M10

Technical data

Material	Steel
Surface	galvanized
Sound insulation lining	unlined

Product details

Center distance	144 mm
Connection height	20 mm
Width	171 mm
Height	140 mm
Material dimension	30x3 mm
Width material	30 mm
Material thickness	3 mm
load Fz	3.5 kN
min. outside pipe diameter	110 mm
max. outside pipe diameter	116 mm
Outside pipe diameter inch	4 inch
Closure screw	M10