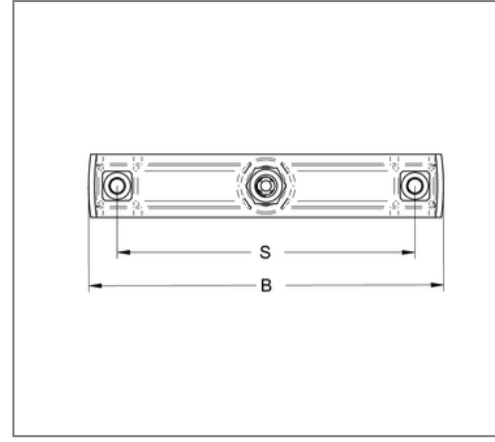
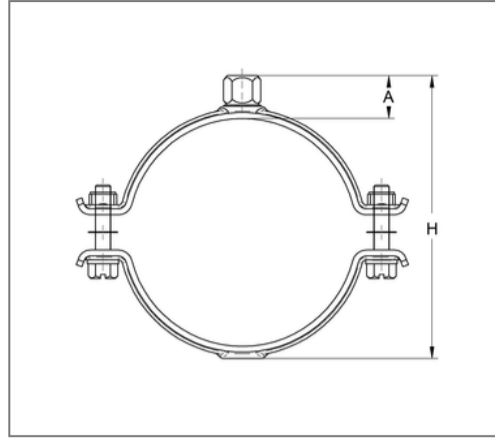


■ Pipe clamp HDC 40x4 167 - 173 mm M12 unlined



Commercial details

Part no.	47300167
EAN/GTIN	4250928458308
Packing unit	10 pcs
Price unit	100
Quantity unit	pcs
Weight	0,903 kg/pc
Product group	12-034

QR code



Certification



Specification

Brand	Jiangmen Eurofix
Application	Pipe clamp with connection thread according to area sprinkler guidelines for Sprinkler systems.
Specification	two-part
Connection	M12

Technical data

Material	Steel
Surface	galvanized
Sound insulation lining	unlined

Product details

Center distance	212 mm
Connection height	19 mm
Width	242 mm
Height	193 mm
Material dimension	40x4 mm
Width material	40 mm
Material thickness	4 mm
load Fz	5 kN
min. outside pipe diameter	167 mm
max. outside pipe diameter	173 mm
Outside pipe diameter inch	6 inch
Closure screw	M12