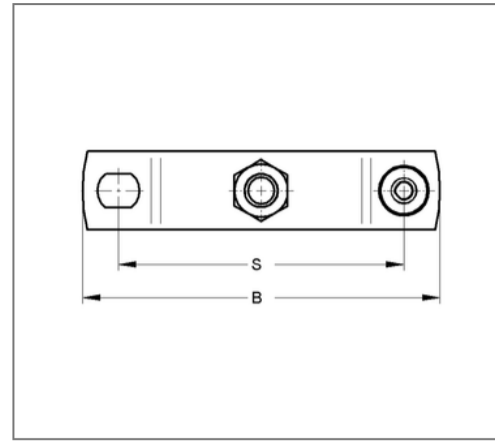
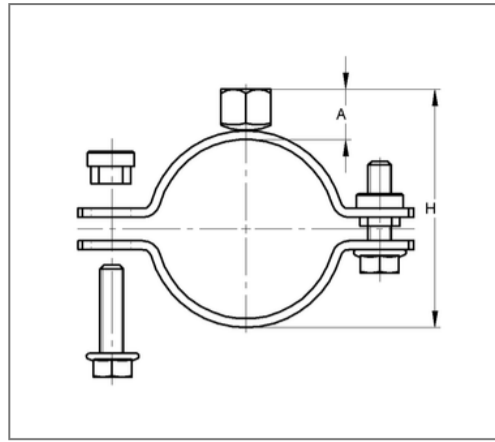
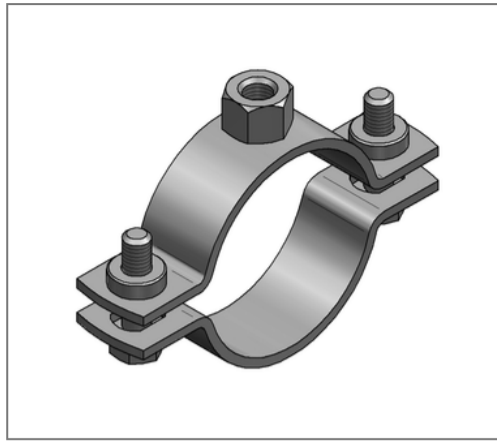


■ Pipe clamp SP 50x5 219 mm M16 unlined



Commercial details

Part no.	0477219
EAN/GTIN	4250928412515
Packing unit	1 pcs
Price unit	100
Quantity unit	pcs
Weight	1,75 kg/pc
Product group	12-034

QR code



Certification



Specification

Application area	pipe clamp for fixing sprinkler pipes.
Specification	two-part, circular welded
Connection	M16

Product details

Center distance	268 mm
Connection height	25 mm
Width	297 mm
Height	249 mm
Material dimension	50x5 mm
load Fz	8.5 kN
Outside pipe diameter	219 mm
Outside pipe diameter inch	8 inch
Closure screw	M12

Technical data

Material	Steel
Material type	S235
Surface	galvanized
Sound insulation lining	unlined

Remark

Notice Meeting VdS guidelines for Sprinkler systems VdS CEA 4001, planning and installation.