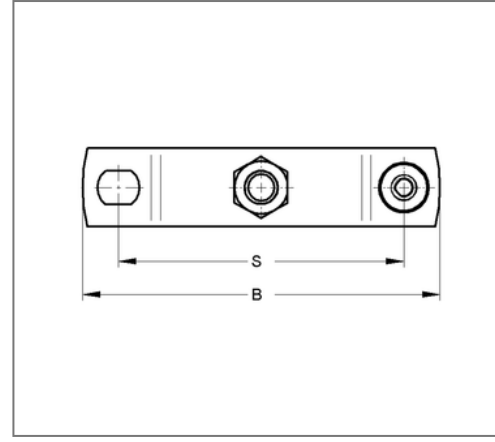
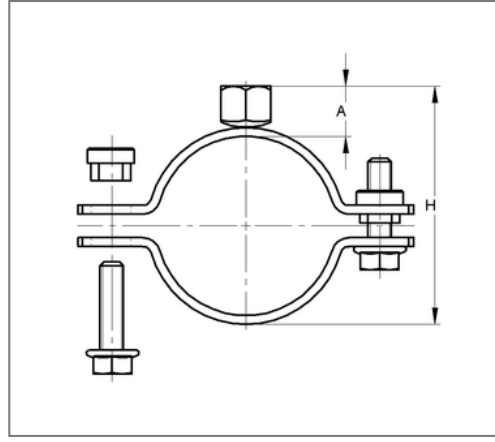
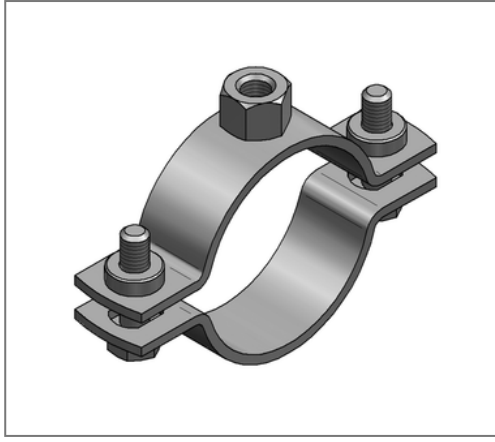


■ Pipe clamp SP 50x5 273 mm M20 unlined



Commercial details

Part no.	0478273
EAN/GTIN	4250928412522
Packing unit	1 pcs
Price unit	100
Quantity unit	pcs
Weight	2,25 kg/pc
Product group	12-034

QR code



Certification



Specification

Application area	pipe clamp for fixing sprinkler pipes.
Specification	two-part, circular welded
Connection	M20

Product details

Center distance	322 mm
Connection height	22 mm
Width	351 mm
Height	300 mm
Material dimension	50x5 mm
load Fz	10 kN
Outside pipe diameter	273 mm
Outside pipe diameter inch	10 inch
Closure screw	M16

Technical data

Material	Steel
Material type	S235
Surface	galvanized
Sound insulation lining	unlined

Remark

Notice Meeting VdS guidelines for Sprinkler systems VdS CEA 4001, planning and installation.