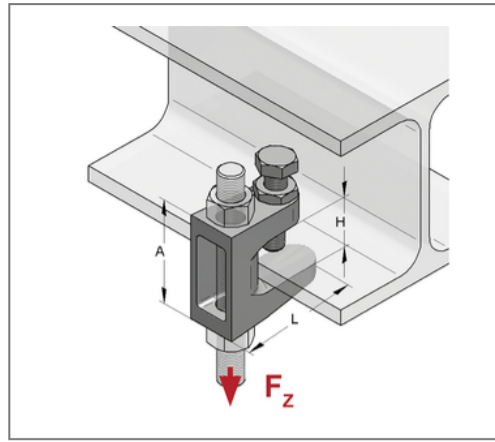
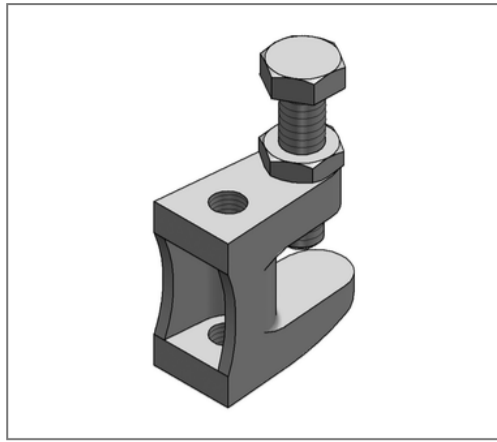


■ Beam clamp Cast iron TKN Clamping range 1 - 18 mm M8



Commercial details

Part no.	0579558
EAN/GTIN	4250928414687
Packing unit	50 pcs
Quantity unit	pcs
Weight	0,0920 kg/pc
Product group	05-057
Price unit	1

QR code



Certification



Specification

Brand	VS Guss
Application area	fast and simple mounting at steel structures and profiles
Type of attachment	with thread

Technical data

Material	Malleable cast iron
Surface	galvanized
min. clamping thickness	1 mm
max. clamping thickness	18 mm

Product details

Height	37 mm
load Fz	1,2 kN
Thread	M8